



US00D650318S

(12) **United States Design Patent**  
**Scano**

(10) **Patent No.:** **US D650,318 S**

(45) **Date of Patent:** **\*\* Dec. 13, 2011**

(54) **BOAT BRA**

(76) Inventor: **Jeffrey J. Scano**, Fort Collins, CO (US)

(\*\*) Term: **14 Years**

(21) Appl. No.: **29/363,274**

(22) Filed: **Jun. 7, 2010**

(51) **LOC (9) Cl.** ..... **12-06**

(52) **U.S. Cl.** ..... **D12/317; D12/401**

(58) **Field of Classification Search** ..... D12/101,  
D12/106, 216, 317, 318, 401; 114/219, 343,  
114/361; 150/154, 166; 280/770  
See application file for complete search history.

(56) **References Cited**

U.S. PATENT DOCUMENTS

4,962,719	A *	10/1990	Hughes et al.	114/343
D334,378	S *	3/1993	Riddles et al.	D12/317
5,291,848	A *	3/1994	Wilhelm et al.	114/361
D348,647	S *	7/1994	Hull et al.	D12/317
D356,058	S *	3/1995	Newton	D12/106
5,481,999	A	1/1996	Clark	
D368,063	S *	3/1996	Newton	D12/317
D370,657	S *	6/1996	Block, Jr.	D12/317

D384,637	S *	10/1997	Kinkead	D12/317
D393,444	S *	4/1998	Kinkead	D12/317
5,899,166	A *	5/1999	Alexander et al.	114/361

\* cited by examiner

*Primary Examiner* — Cynthia M Chin

(74) *Attorney, Agent, or Firm* — Brian D. Smith PC

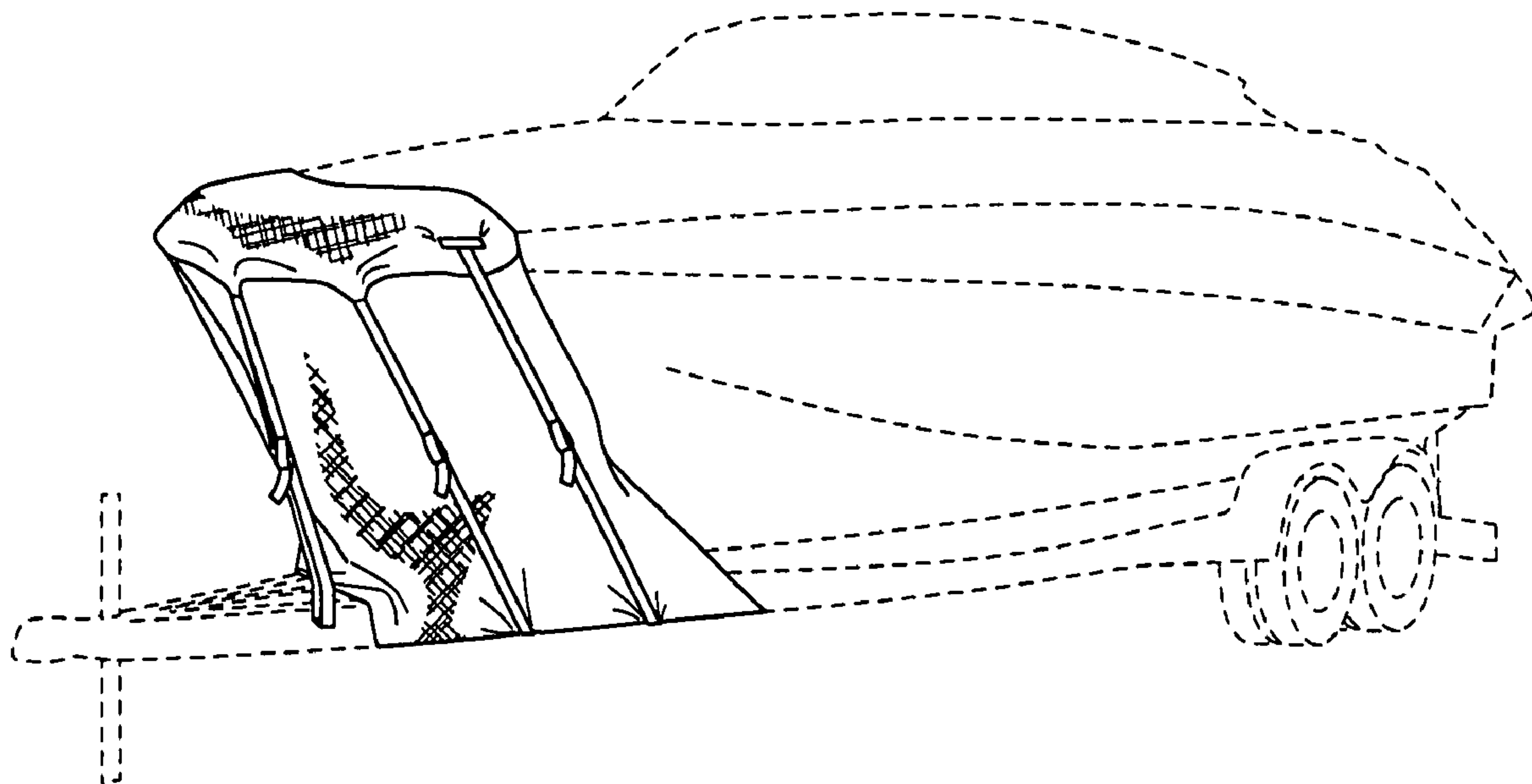
(57) **CLAIM**

The ornamental design for a boat bra, as shown and described.

**DESCRIPTION**

FIG. 1 is a perspective view of my new design for a boat bra showing the boat bra as it would appear when installed on the bow of a boat mounted on a boat trailer and wherein the boat and trailer form no part of the instant design; FIG. 2 is a left side elevational view of the design of FIG. 1; FIG. 3 is a right side elevational view of the design of FIG. 1; FIG. 4 is a front view of the design of FIG. 1; FIG. 5 is a top plan view of the design of FIG. 1; and, FIG. 6 is a bottom plan view of the design of FIG. 1. The broken lines represent the environment in which the article resides and forms no part of the claim.

**1 Claim, 3 Drawing Sheets**



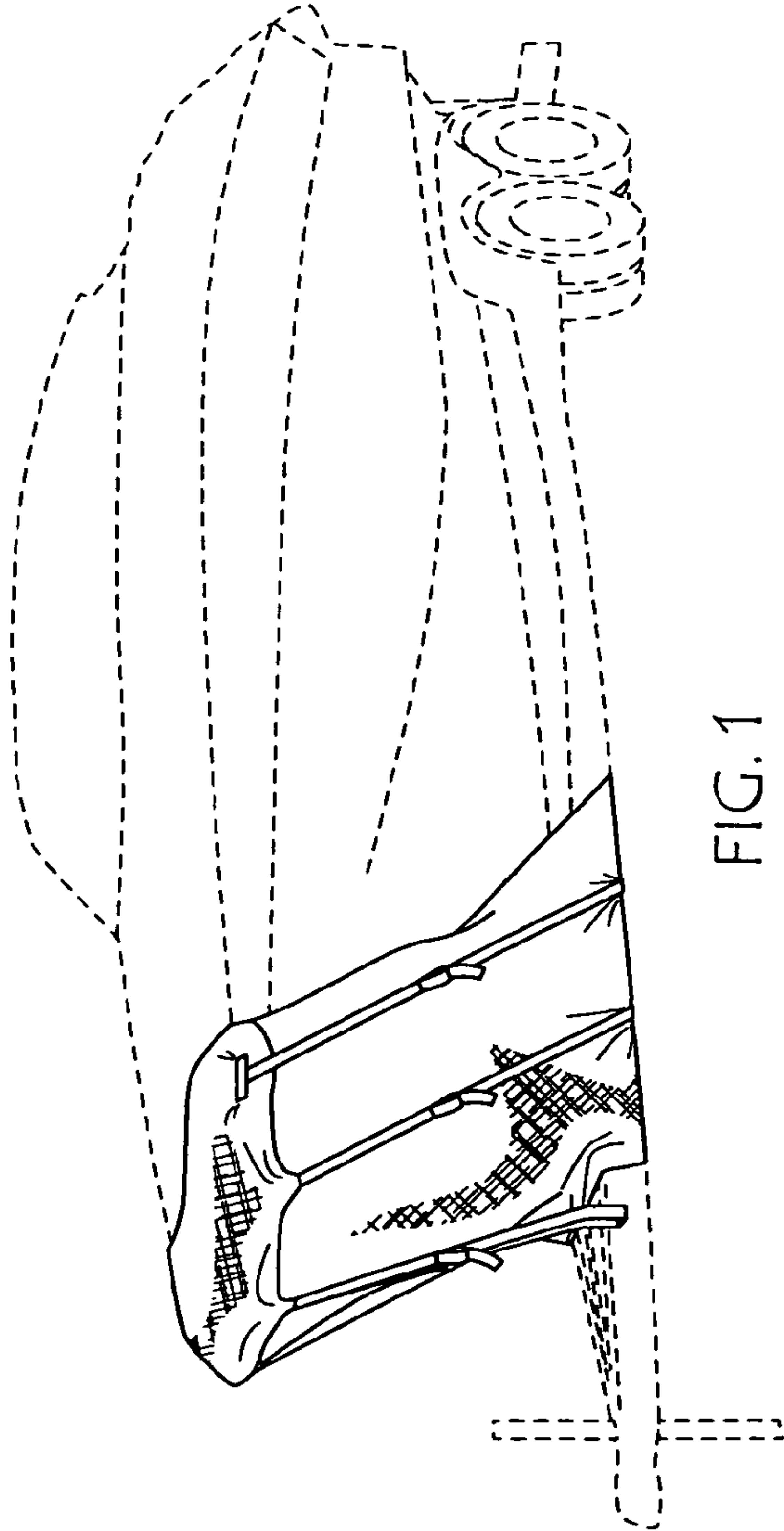


FIG. 1

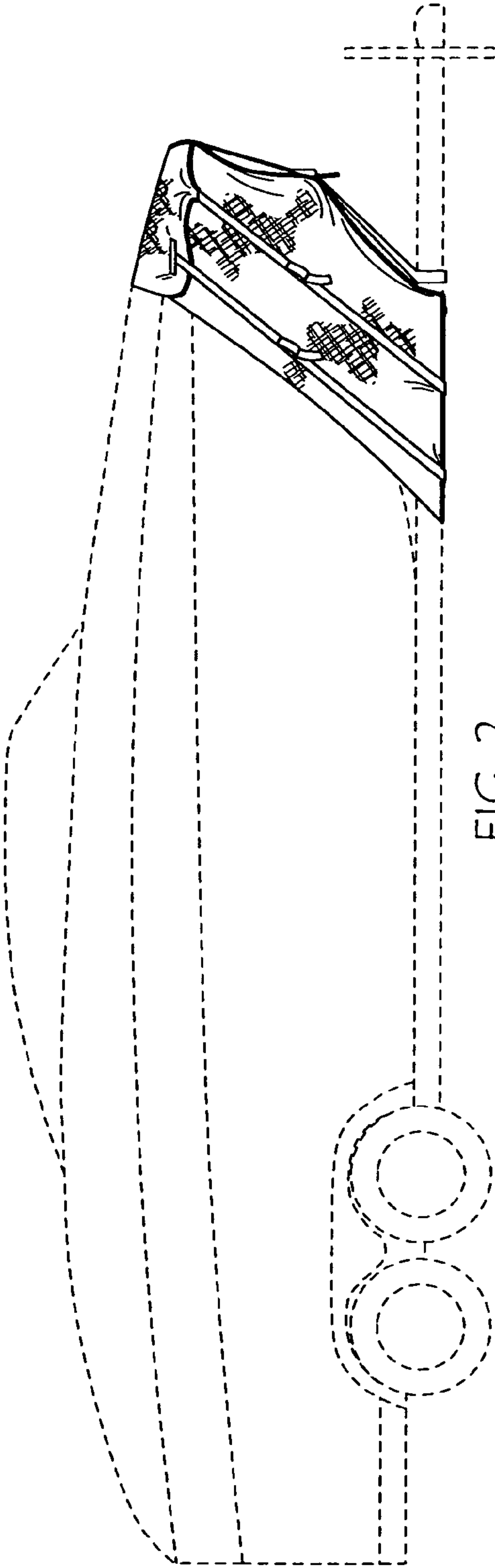


FIG. 2

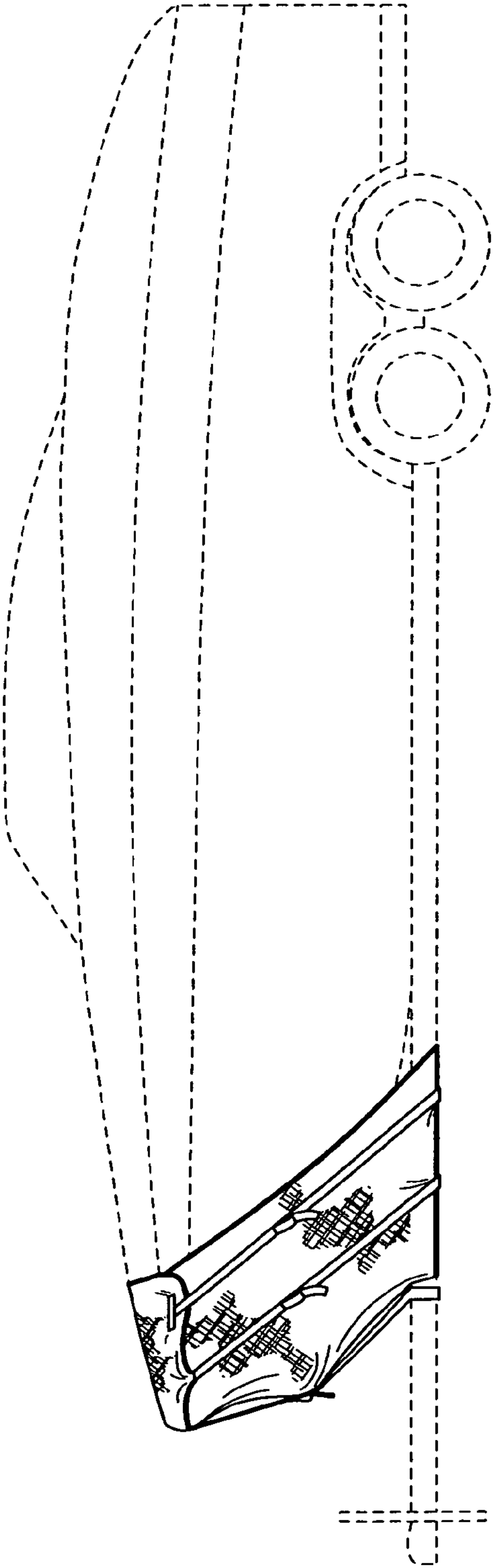


FIG. 3

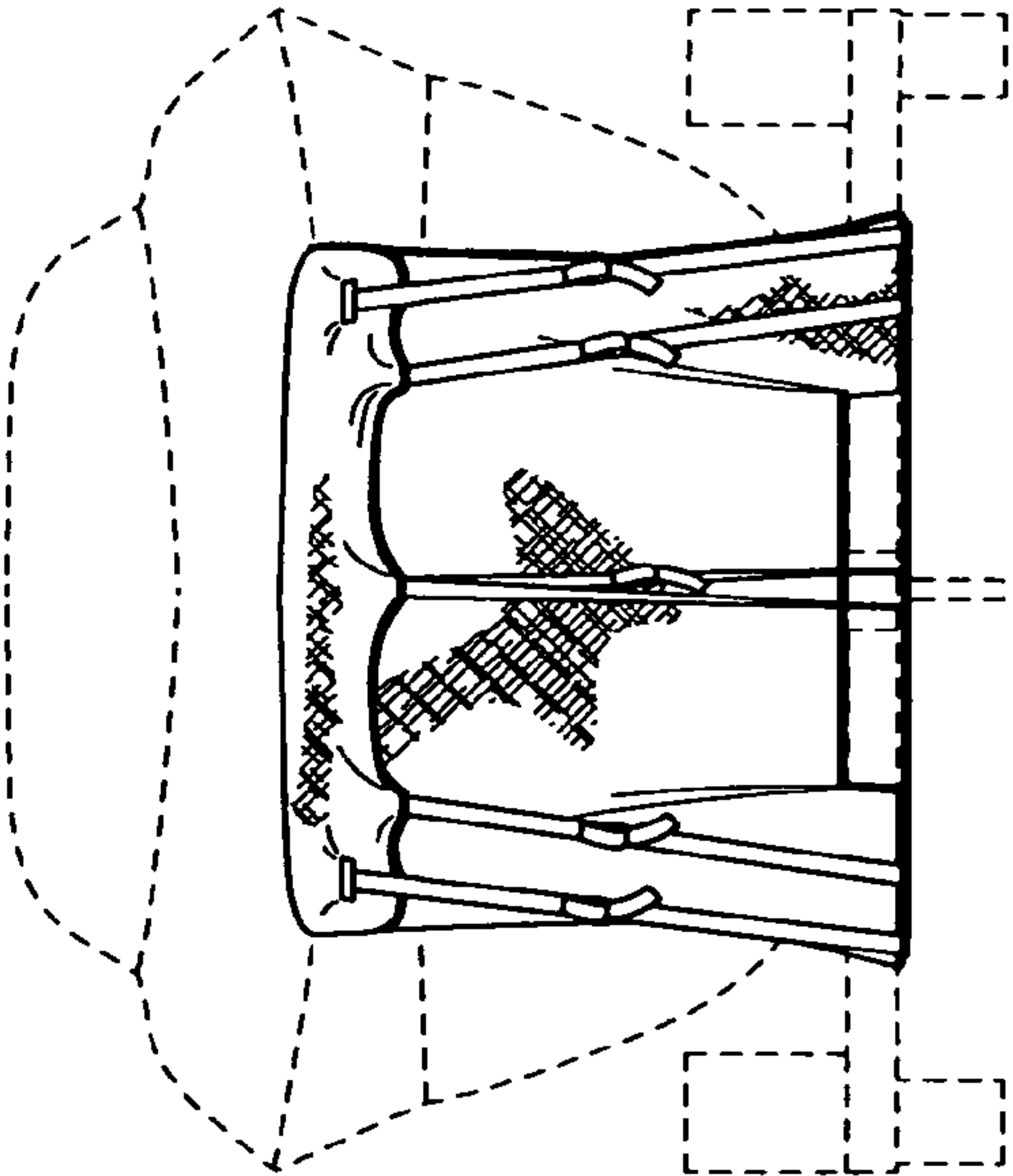


FIG. 4

FIG. 5

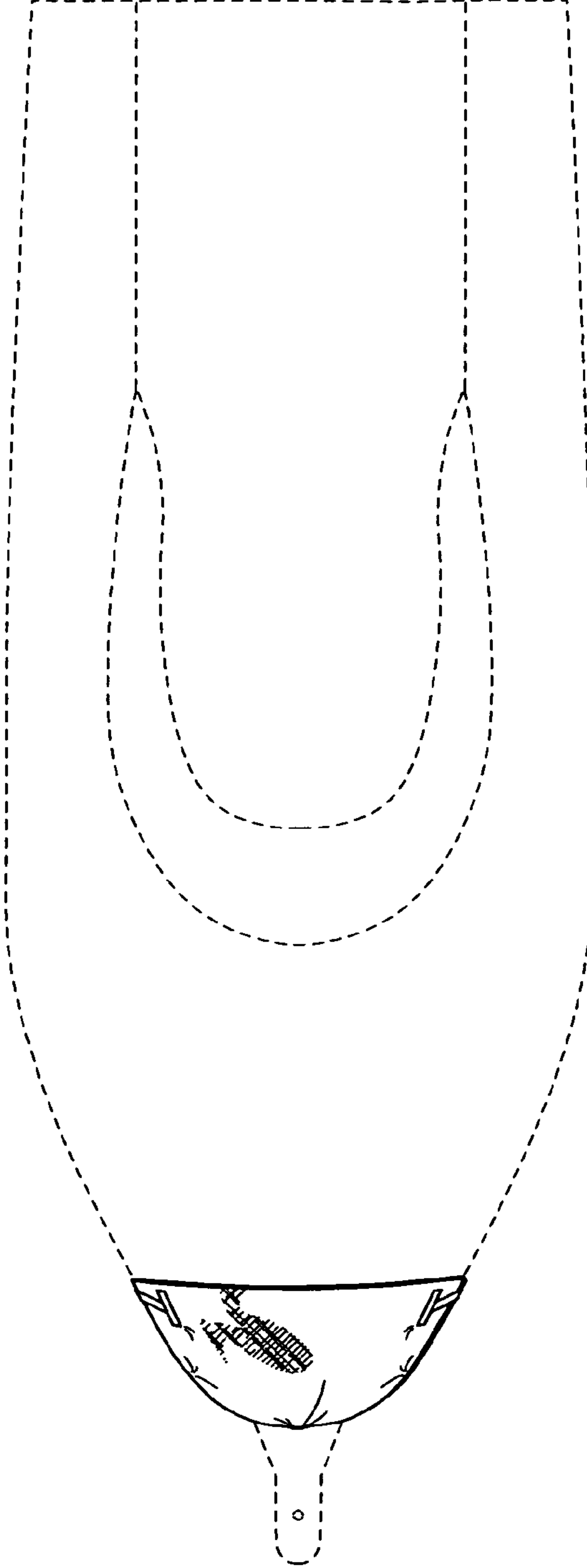


FIG. 6

