

US00D650317S

(12) **United States Design Patent**  
**Yamamoto**

(10) **Patent No.:** **US D650,317 S**

(45) **Date of Patent:** **\*\* Dec. 13, 2011**

(54) **WATER SCOOTER**

(75) Inventor: **Hisashi Yamamoto**, Kyoto-fu (JP)

(73) Assignee: **Yamaha Hatsudoki Kabushiki Kaisha**  
(JP)

(\*\*) Term: **14 Years**

(21) Appl. No.: **29/359,129**

(22) Filed: **Apr. 6, 2010**

(51) **LOC (9) Cl.** ..... **12-06**

(52) **U.S. Cl.** ..... **D12/307**

(58) **Field of Classification Search** ..... D12/6-11,  
D12/300-318; 114/55.5, 55.51-55.58, 345;  
D21/770

See application file for complete search history.

(56) **References Cited**

**U.S. PATENT DOCUMENTS**

D453,955 S *	2/2002	Aselton et al. ....	D12/307
D464,015 S *	10/2002	Bucaccio et al. ....	D12/307
D464,016 S *	10/2002	Orr et al. ....	D12/307
D464,926 S *	10/2002	Mizuta et al. ....	D12/307
D479,702 S *	9/2003	Cassell et al. ....	D12/307
D485,527 S *	1/2004	Cassell et al. ....	D12/307
D510,900 S *	10/2005	Bucaccio et al. ....	D12/307
D513,225 S *	12/2005	Omae et al. ....	D12/307

D550,603 S *	9/2007	Cote et al. ....	D12/307
D558,122 S *	12/2007	Tanaka et al. ....	D12/307
D569,330 S *	5/2008	Hattori et al. ....	D12/307
D569,781 S *	5/2008	Hattori et al. ....	D12/307
D603,319 S *	11/2009	Cote et al. ....	D12/307
D608,719 S *	1/2010	Cote et al. ....	D12/307
D630,152 S *	1/2011	Yamamoto ....	D12/307
D632,632 S *	2/2011	Cote ....	D12/307
D637,544 S *	5/2011	Cote et al. ....	D12/307

\* cited by examiner

*Primary Examiner* — Cynthia M Chin

(74) *Attorney, Agent, or Firm* — Ostrolenk Faber LLP

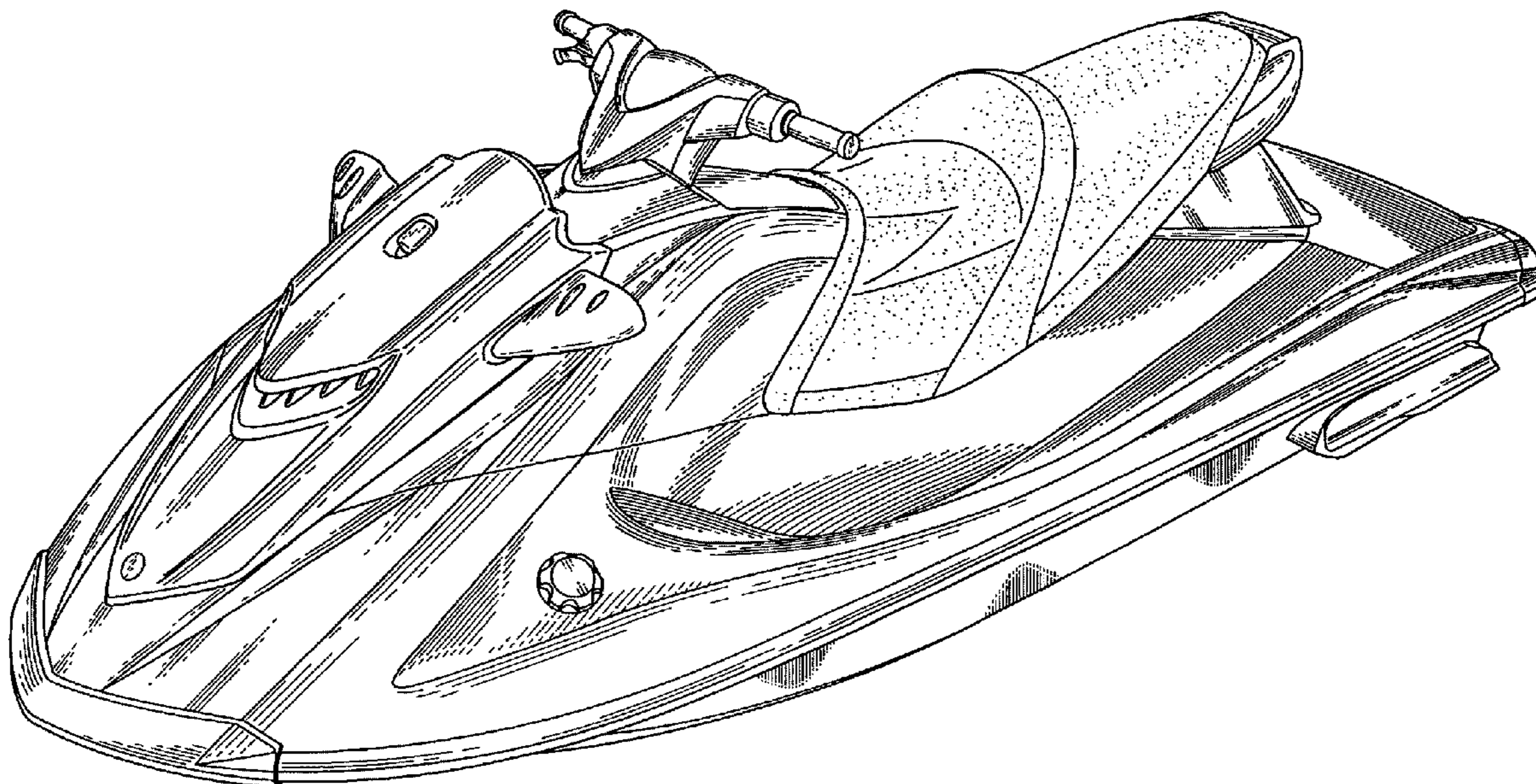
(57) **CLAIM**

The ornamental design for a water scooter, as shown.

**DESCRIPTION**

FIG. 1 is a left side front perspective view of a water scooter showing my new design;  
FIG. 2 is a left side view thereof;  
FIG. 3 is a right side view thereof;  
FIG. 4 is a front view thereof;  
FIG. 5 is a rear view thereof;  
FIG. 6 is a top view thereof; and,  
FIG. 7 is a bottom view thereof.

**1 Claim, 7 Drawing Sheets**





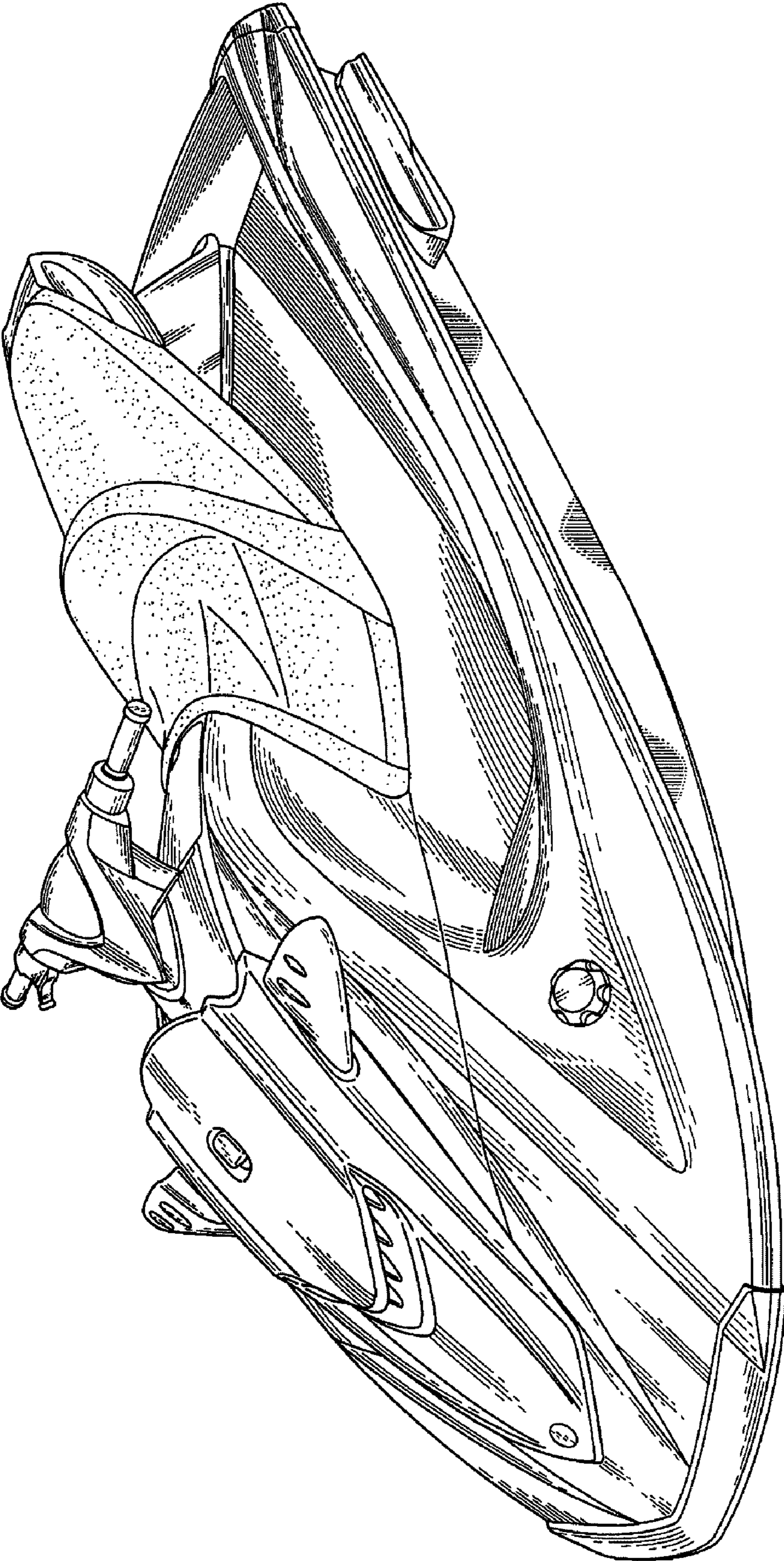


FIG. 1

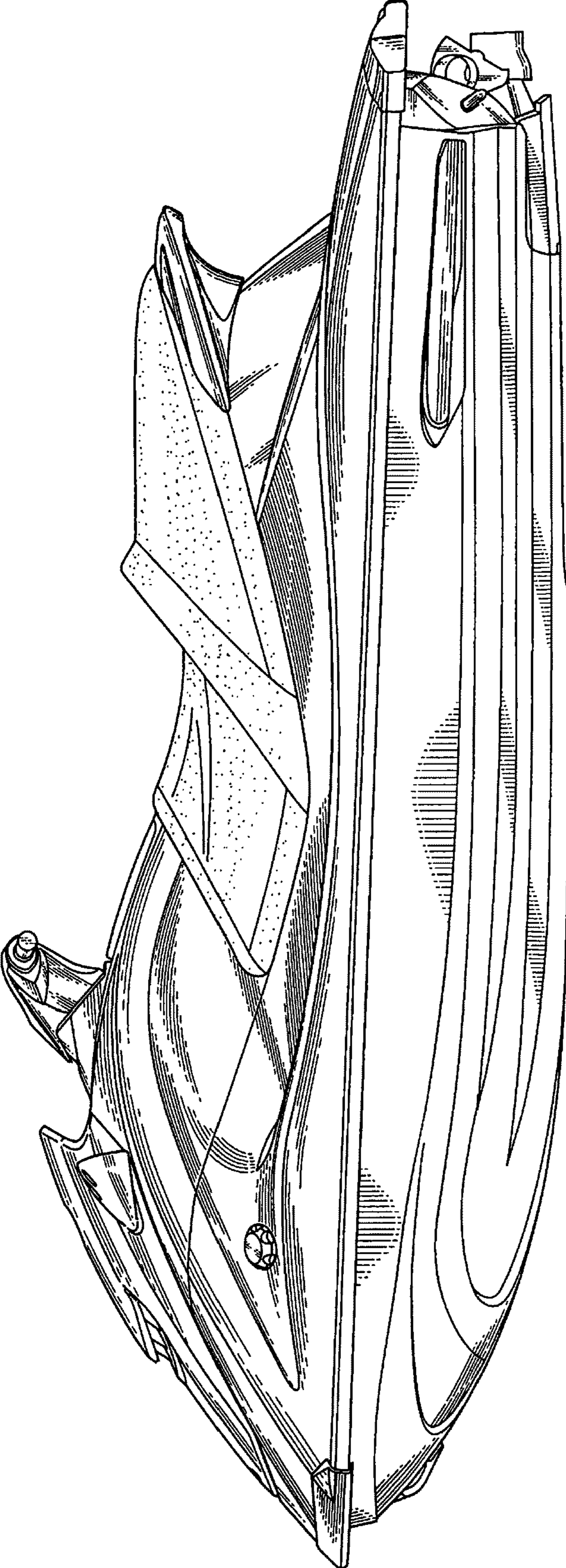


FIG. 2



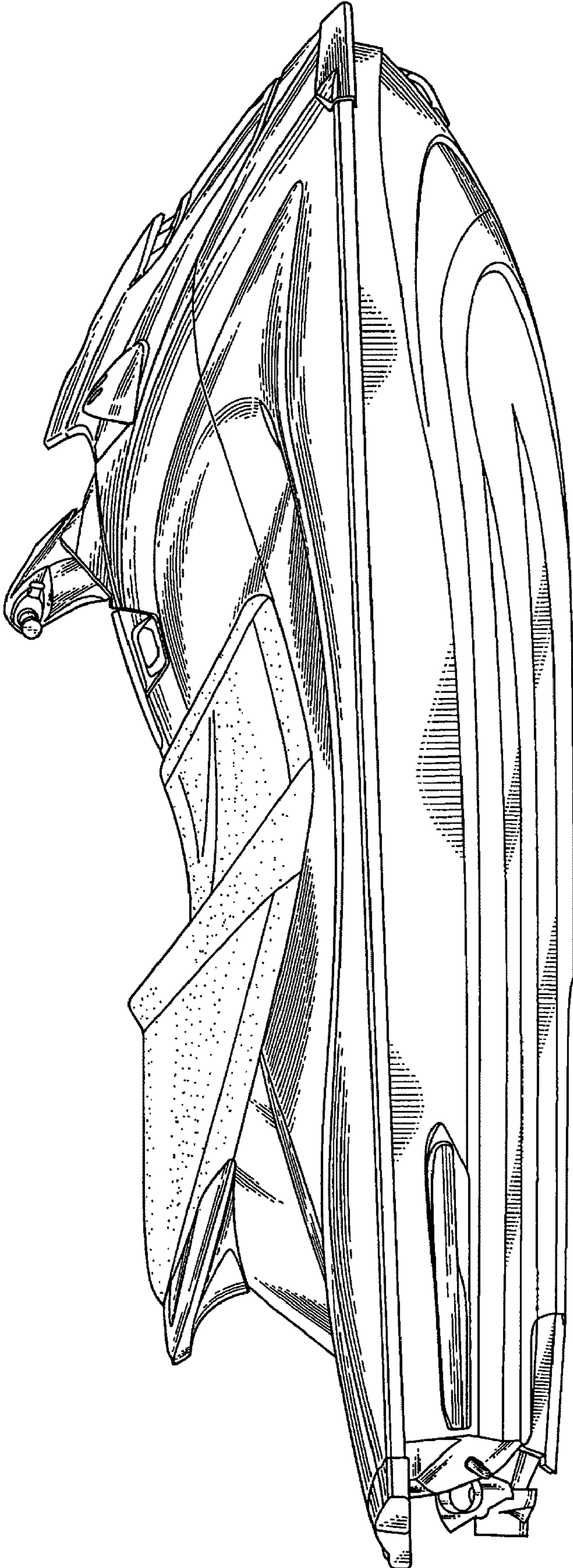


FIG. 3

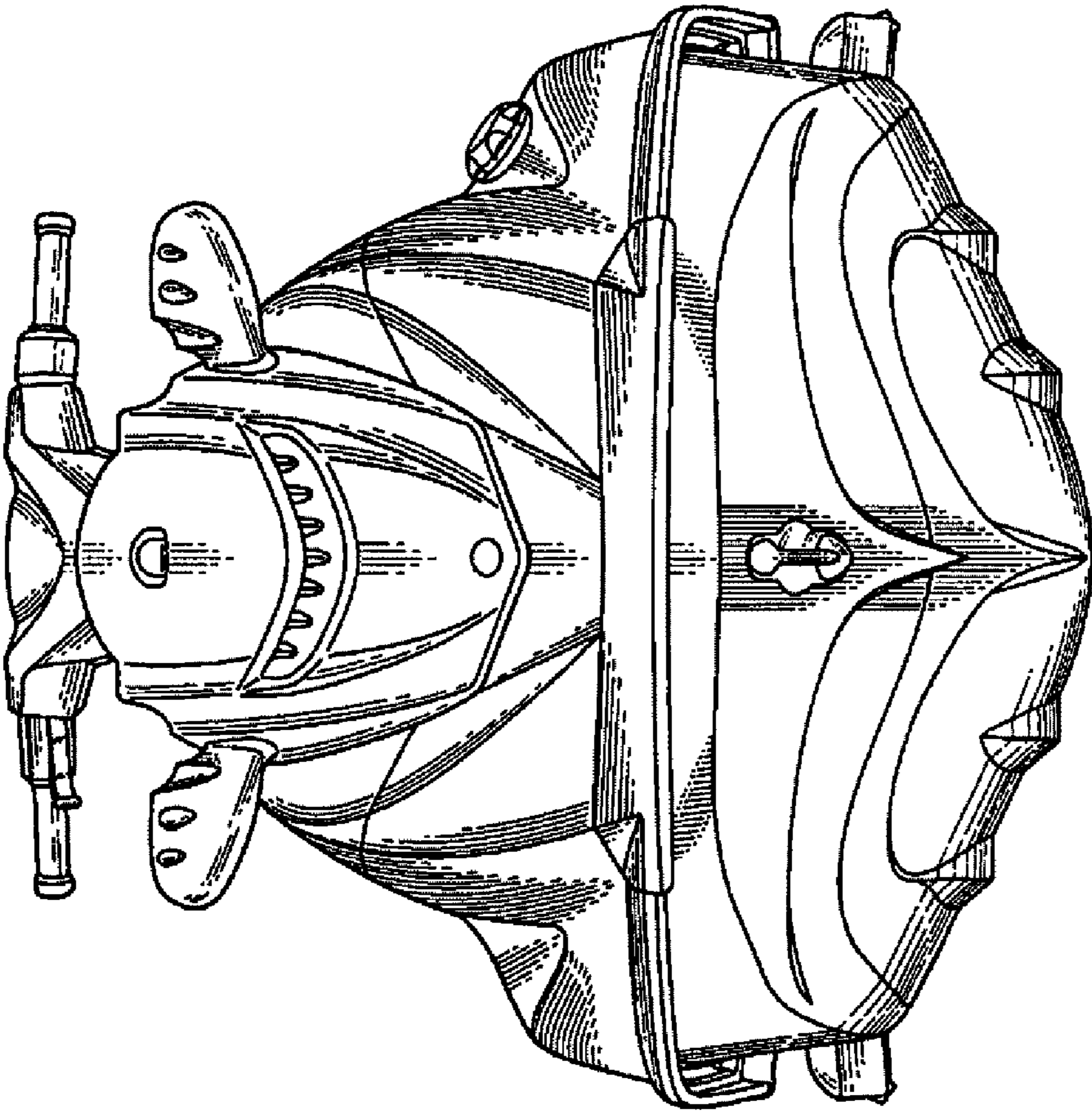


FIG. 4

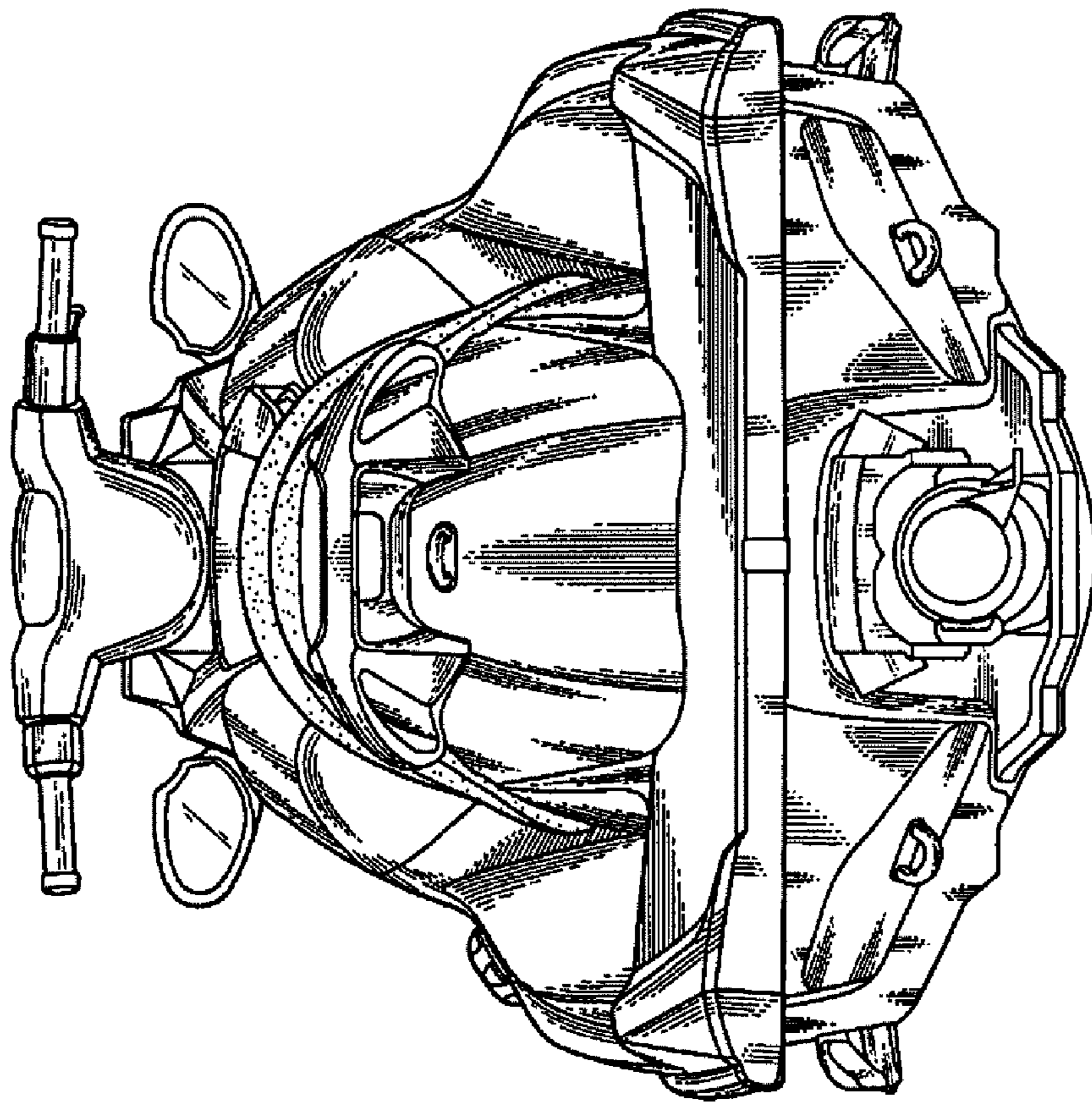


FIG. 5



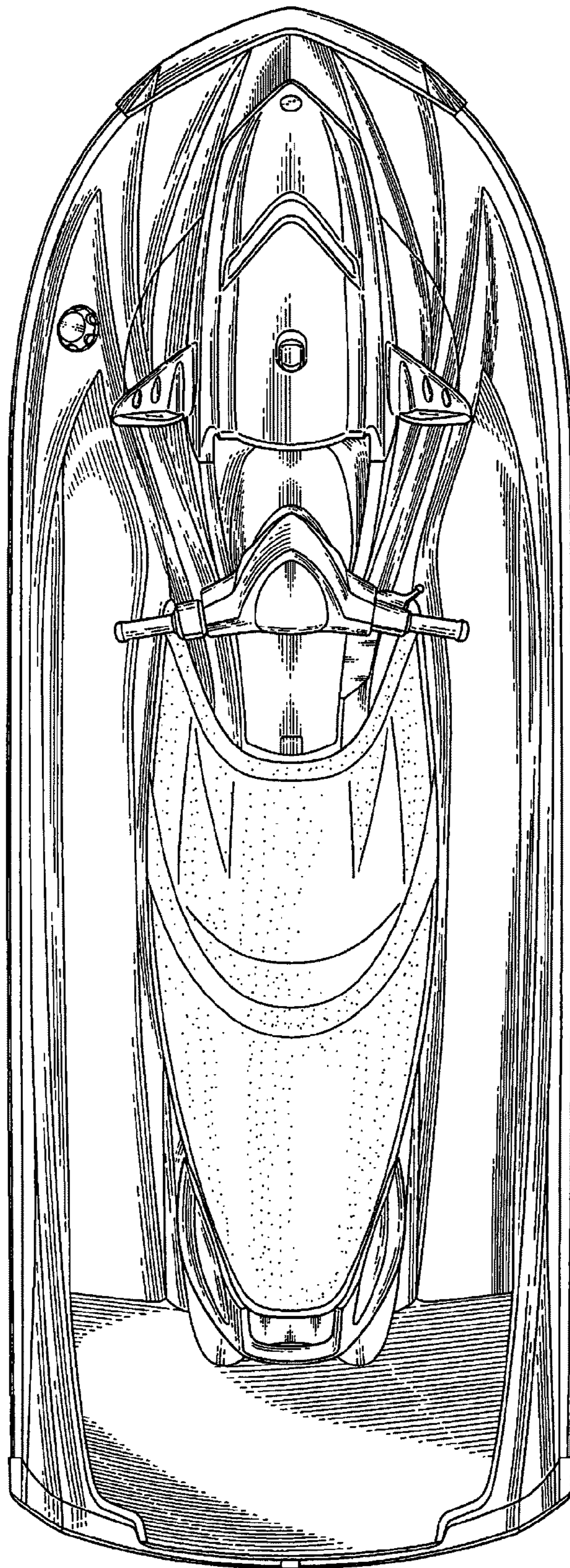


FIG. 6

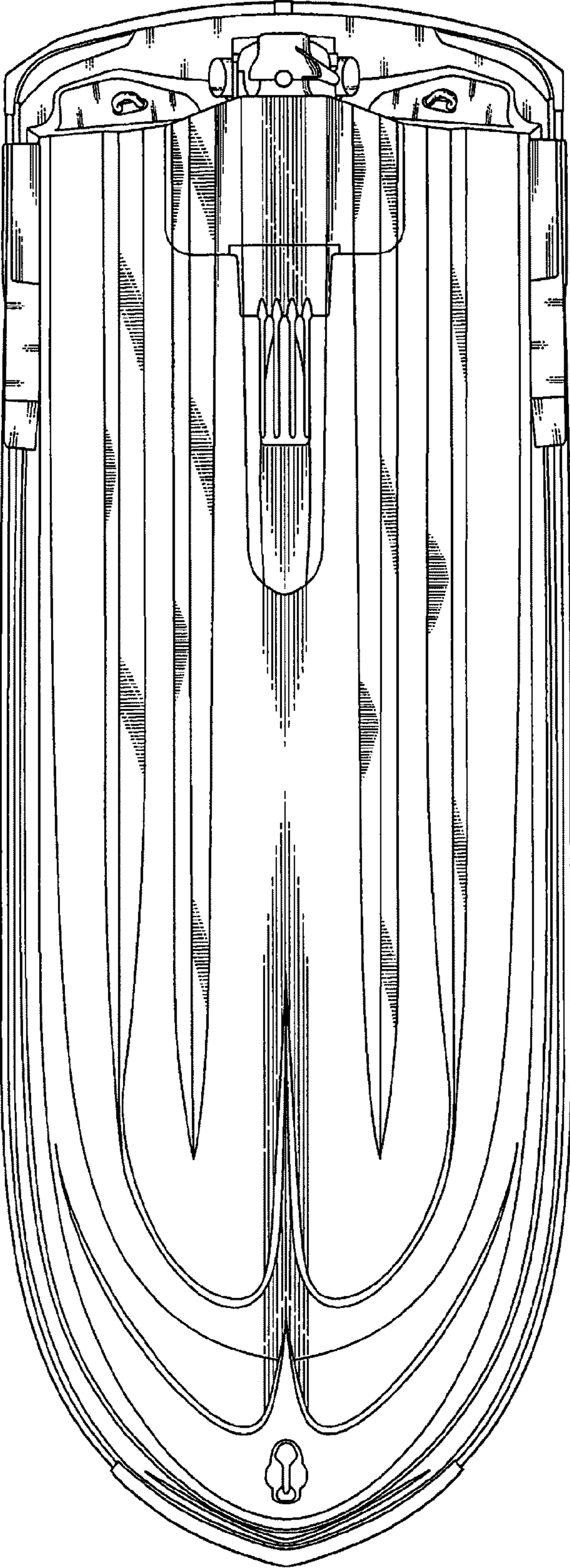


FIG. 7