



US00D650315S

(12) **United States Design Patent**
Juergens et al.

(10) **Patent No.:** **US D650,315 S**

(45) **Date of Patent:** **** Dec. 13, 2011**

(54) **WHEEL OR WHEEL COVER**

(75) Inventors: **Dirk Juergens**, Munich (DE); **Rainer Mueller**, Munich (DE)

(73) Assignee: **Bayerische Motoren Werke Aktiengesellschaft**, Munich (DE)

(**) Term: **14 Years**

(21) Appl. No.: **29/347,969**

(22) Filed: **Aug. 20, 2010**

(30) **Foreign Application Priority Data**

Feb. 22, 2010 (DE) 40 2010 001 117

(51) **LOC (9) Cl.** **12-16**

(52) **U.S. Cl.** **D12/211**

(58) **Field of Classification Search** D12/204-213;
301/37.101, 64.101, 65, 64.201
See application file for complete search history.

(56) **References Cited**

U.S. PATENT DOCUMENTS

D503,668 S	4/2005	Boyer	
D504,097 S	4/2005	Markefka	
D504,381 S	4/2005	Rice	
D522,434 S *	6/2006	Langer	D12/209
D537,026 S *	2/2007	Nordmann	D12/209
D538,216 S	3/2007	Sycha	
D540,240 S *	4/2007	Kountouras	D12/211
D567,167 S	4/2008	Forster	
D590,319 S *	4/2009	Juergens et al.	D12/211

D590,757 S *	4/2009	Froehlich	D12/209
D594,396 S *	6/2009	Juergens et al.	D12/209
D621,765 S *	8/2010	Baum	D12/209
D625,675 S *	10/2010	Juergens et al.	D12/209
D634,691 S *	3/2011	Park	D12/211
D635,904 S *	4/2011	Futschik et al.	D12/209
D639,716 S *	6/2011	Juergens et al.	D12/211

FOREIGN PATENT DOCUMENTS

EM	000010442-0007	7/2003
EM	000090410-0006	3/2004
EM	000106513-0007	12/2004
EM	000577945-0002	9/2006
EM	000735758-0006	7/2007
EM	001049324-0002	9/2009
EM	001684507-0003	10/2010

* cited by examiner

Primary Examiner — Stacia Cadmus

(74) *Attorney, Agent, or Firm* — Crowell & Moring LLP

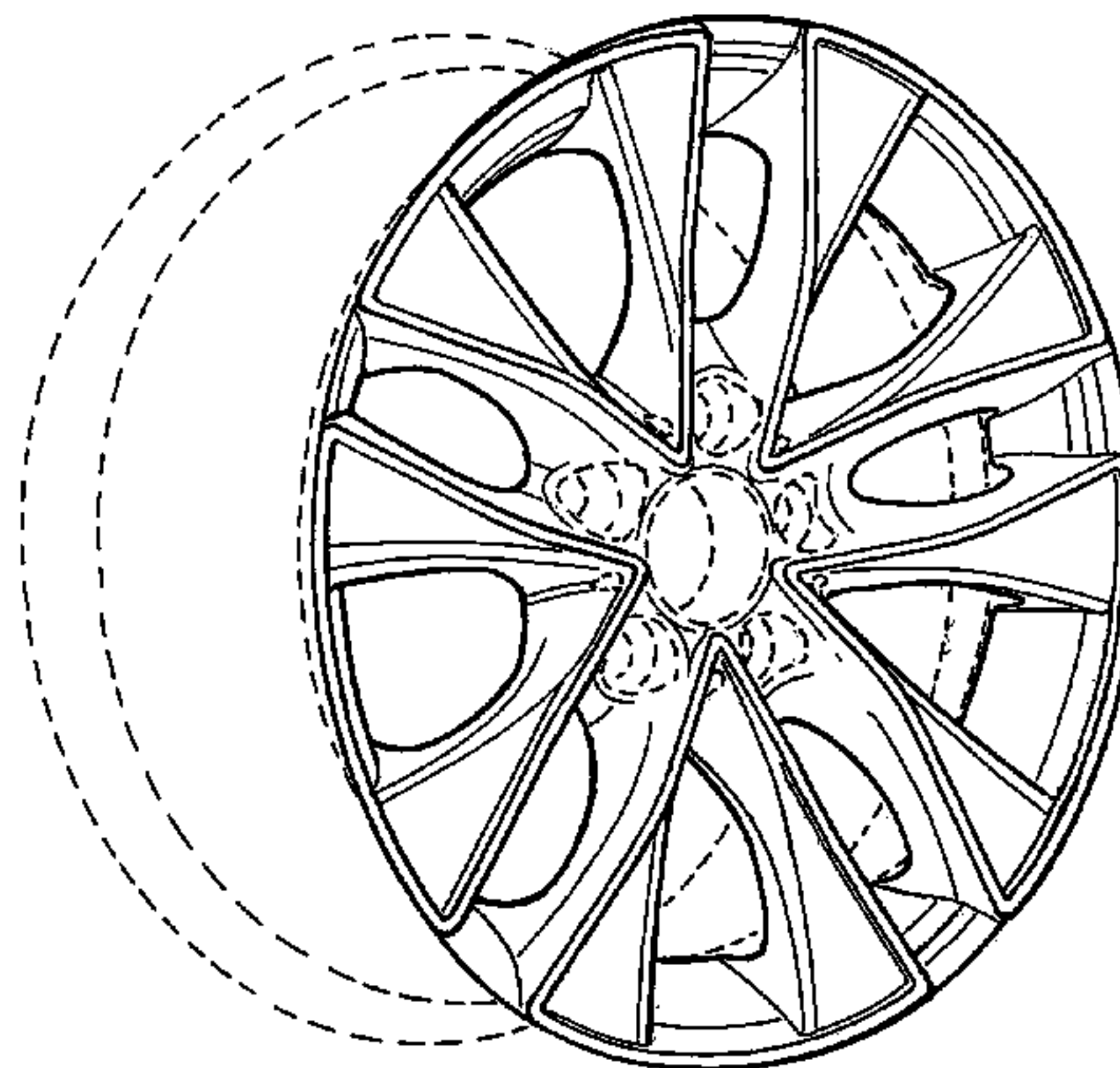
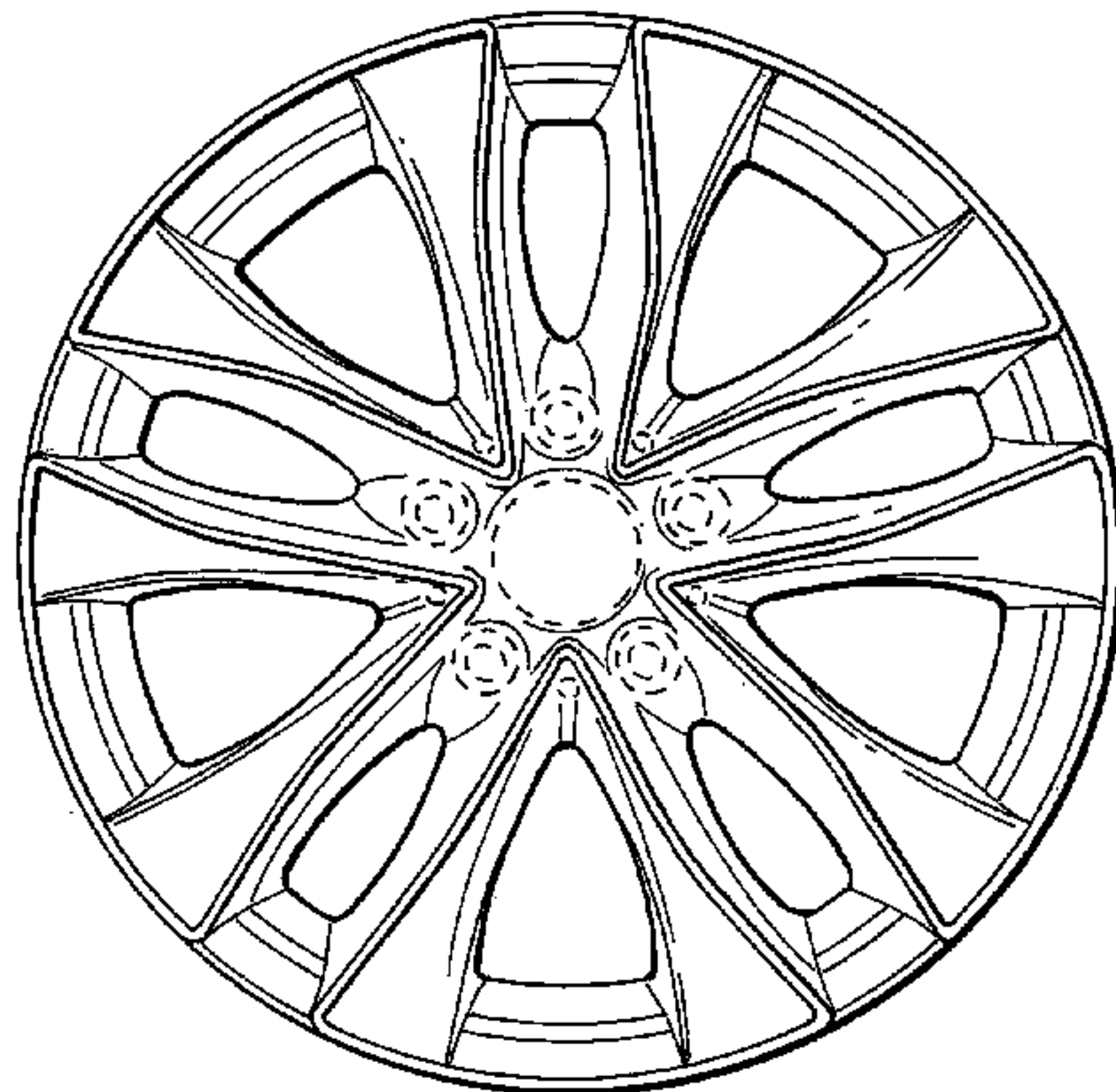
(57) **CLAIM**

The ornamental design for a wheel or wheel cover, as shown and described.

DESCRIPTION

FIG. 1 is a front view of a wheel or wheel cover according to our design; and,
FIG. 2 is a perspective view thereof.
The broken line showing of the rear of the wheel, and the bolt holes and the center hole in the central hub area is included for the purpose of illustrating environment and forms no part of the claimed design.

1 Claim, 1 Drawing Sheet



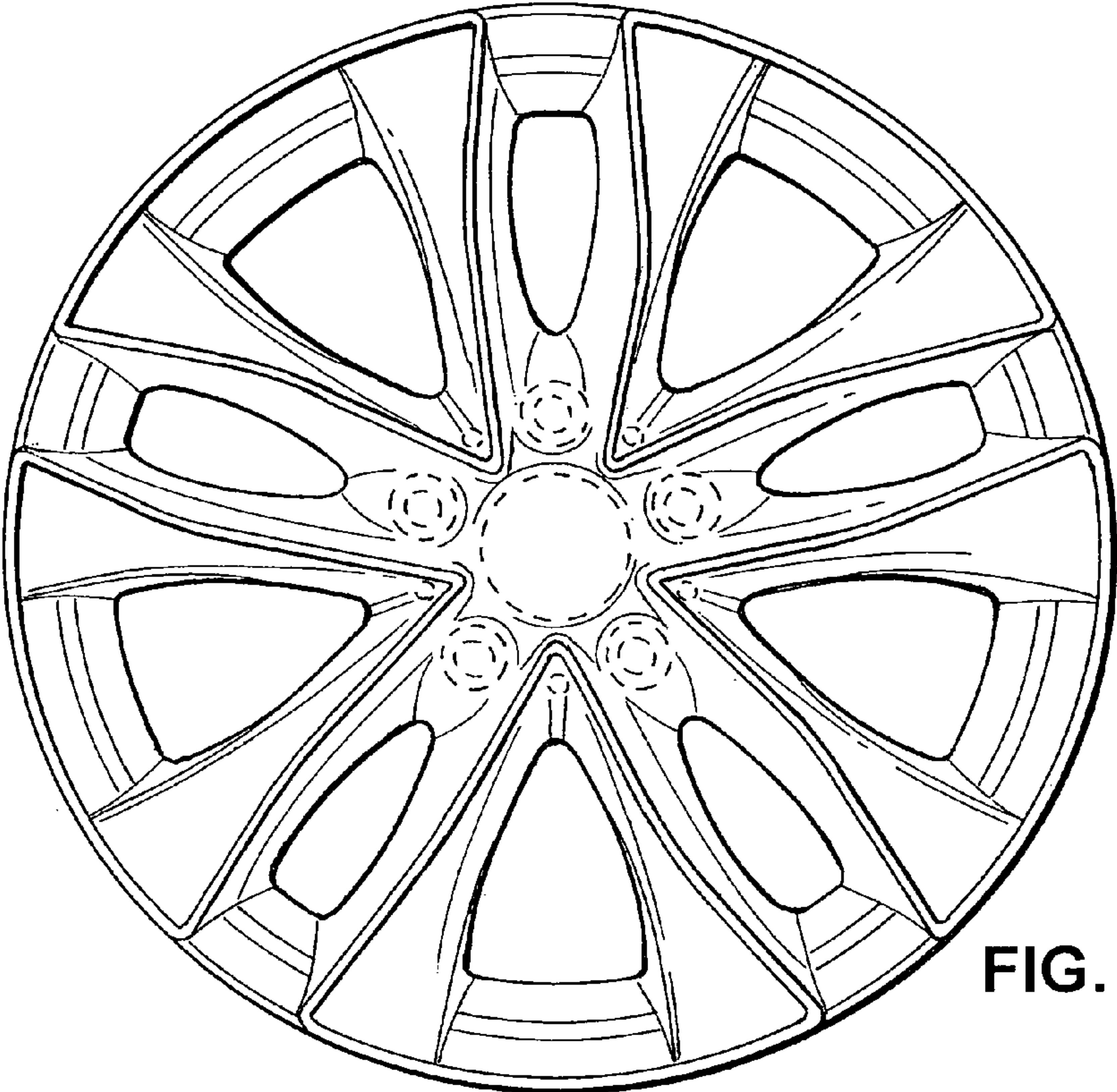


FIG. 1

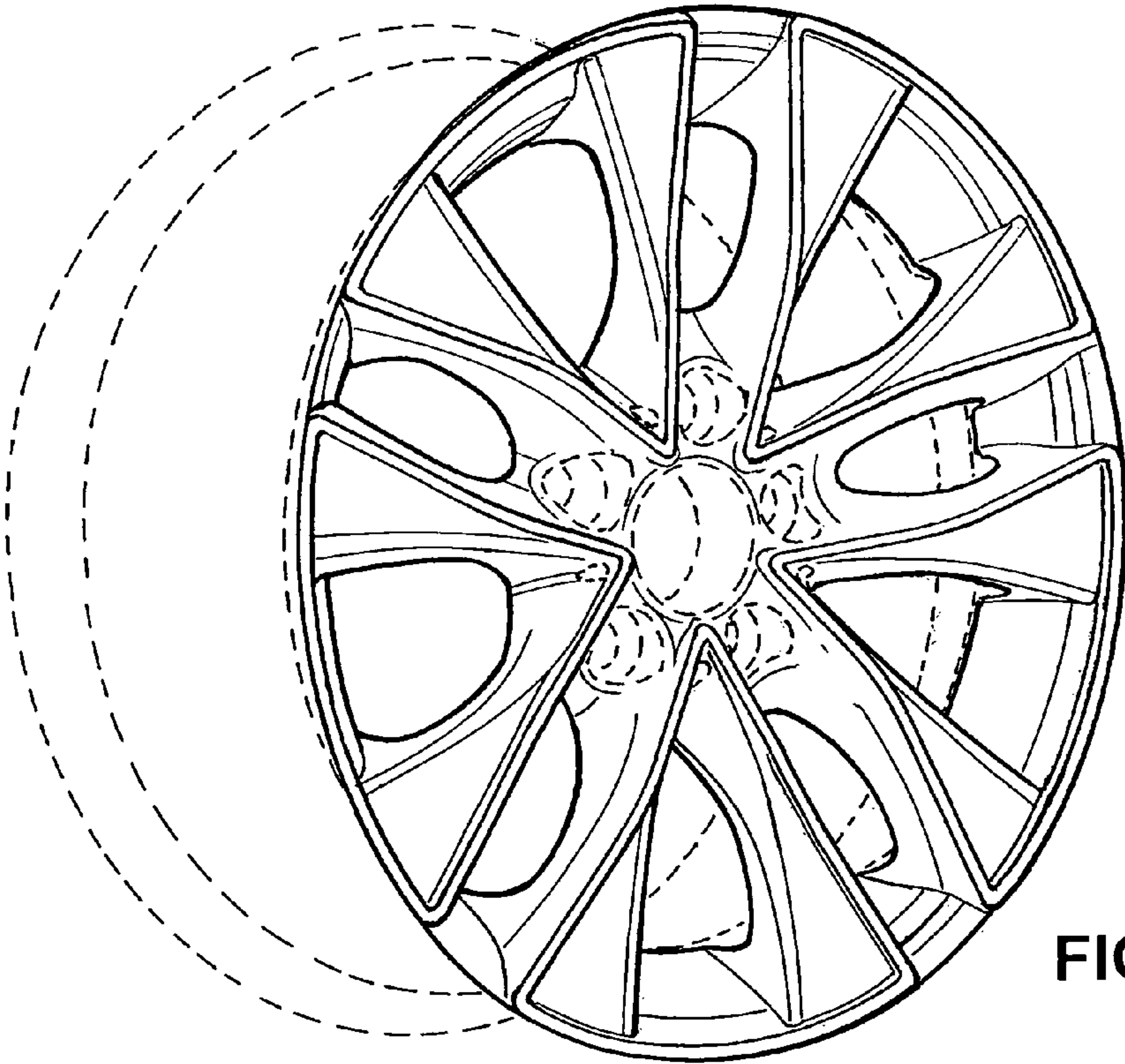


FIG. 2