



US00D650310S

(12) **United States Design Patent**
Varotsos

(10) **Patent No.:** **US D650,310 S**

(45) **Date of Patent:** **** Dec. 13, 2011**

(54) **FOOD SERVICE VEHICLE**

(75) Inventor: **Andreas Varotsos**, Taurisano (IT)

(73) Assignee: **Wommy S.R.L.**, Taurisano (LE) (IT)

(**) Term: **14 Years**

(21) Appl. No.: **29/339,044**

(22) Filed: **Jun. 23, 2009**

(30) **Foreign Application Priority Data**

Dec. 23, 2008 (EM) 001062624-0001

(51) **LOC (9) Cl.** **12-14**

(52) **U.S. Cl.** **D12/1; D12/14; D12/101**

(58) **Field of Classification Search** D12/1,
D12/14, 82, 101, 102, 104, 93, 99, 83, 103,
D12/105; 126/21 R; 296/183, 181, 22; 221/131
See application file for complete search history.

(56) **References Cited**

U.S. PATENT DOCUMENTS

D311,883	S *	11/1990	Ollerman	D12/96
D343,596	S *	1/1994	Writt et al.	D12/1
D367,506	S *	2/1996	Bowman	D21/552
5,938,261	A *	8/1999	Faba	296/22
D426,493	S *	6/2000	Mertins et al.	D12/93
6,189,944	B1 *	2/2001	Piche	296/22
7,364,050	B2 *	4/2008	Guard	221/131

7,950,728 B2 * 5/2011 Plavetich 296/193.01

* cited by examiner

Primary Examiner — T. Chase Nelson

Assistant Examiner — Ania Aman

(74) *Attorney, Agent, or Firm* — Reising Ethington P.C.

(57) **CLAIM**

The ornamental design for a food service vehicle, as shown and described.

DESCRIPTION

FIG. 1 shows a perspective view of the food service vehicle in an open position with roof sections raised and food service sections opened;

FIG. 2 shows a perspective view from the top of the food service vehicle in the open position as in FIG. 1;

FIG. 3 shows a front view of the vehicle in the open position;

FIG. 4 shows a partial top view, beneath the roof sections, of a food service portion of the vehicle in the open position;

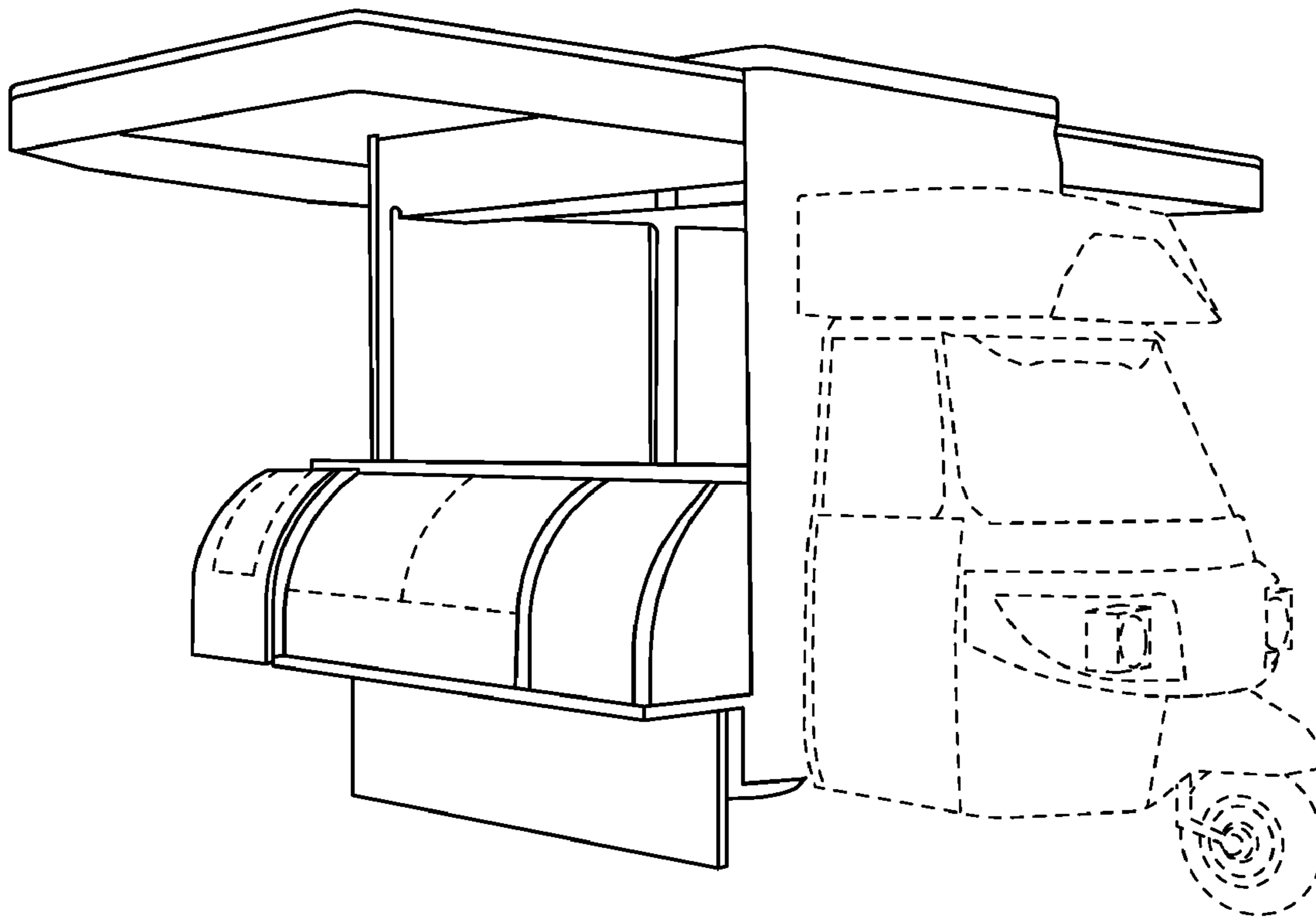
FIG. 5 shows a partial top view, beneath the roof sections like FIG. 4, of the food service portion of the vehicle in a closed position with food preparation and service areas moved closer together than in the open position shown in FIG. 4; and,

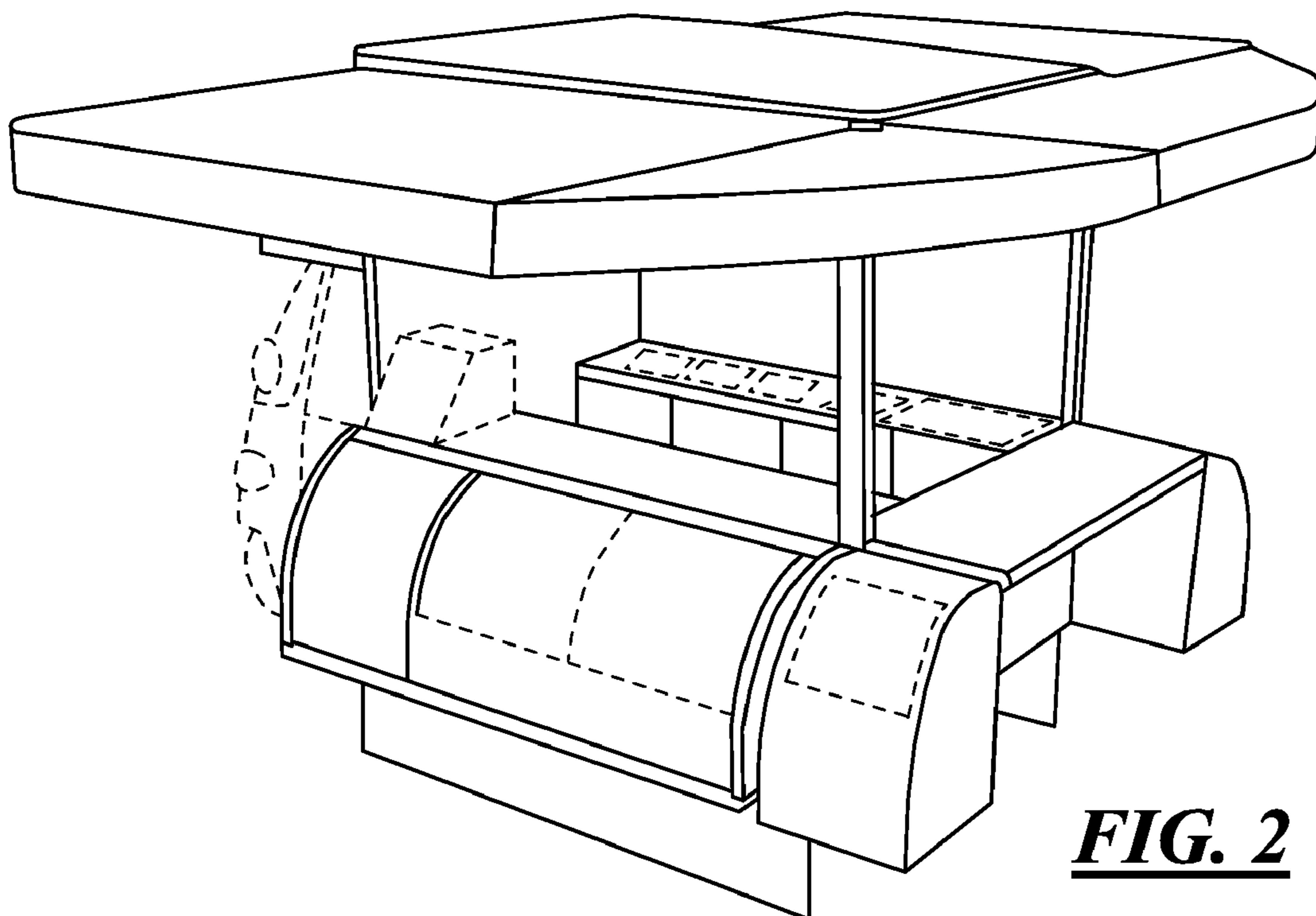
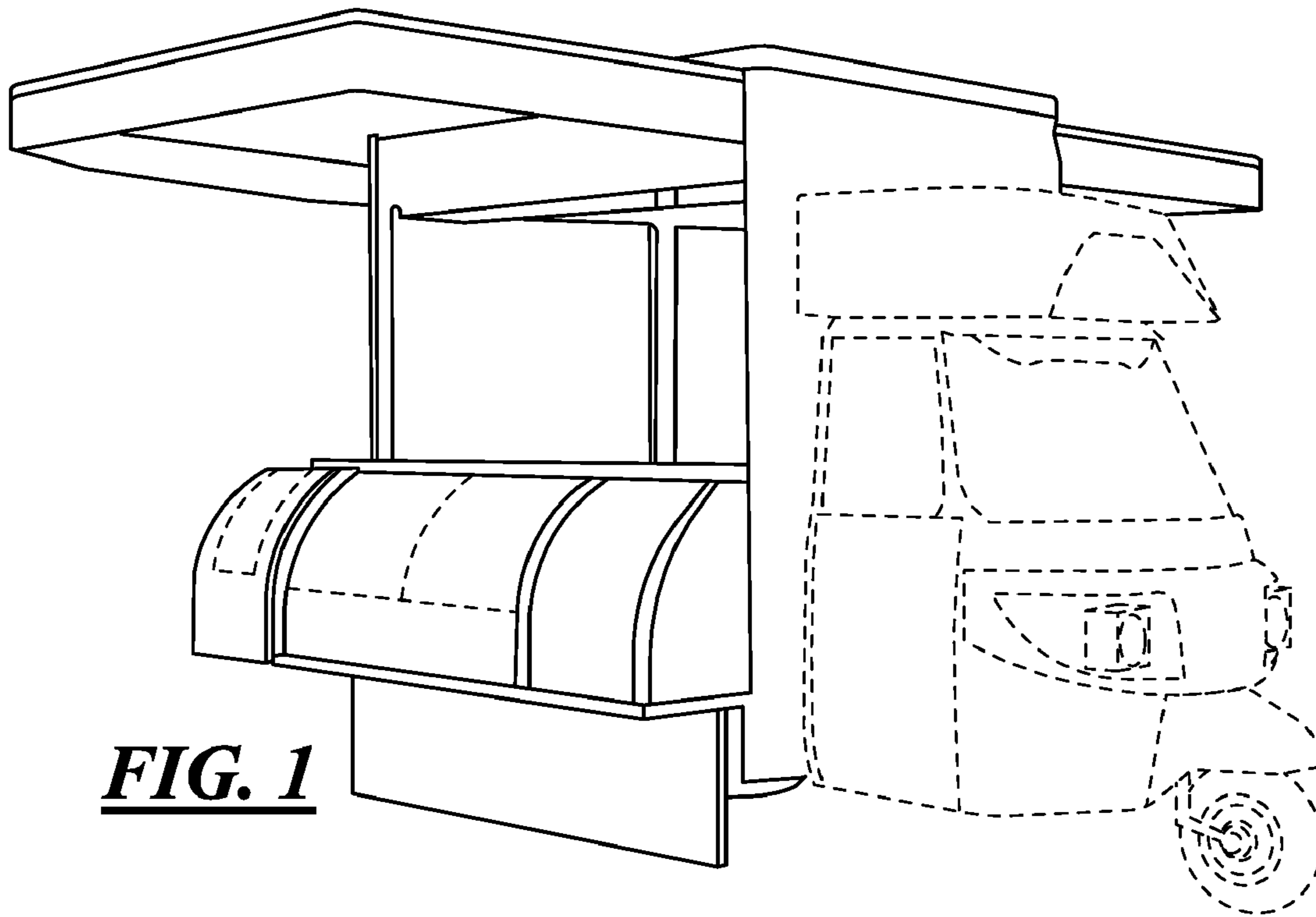
FIG. 6 shows a perspective view of the food service vehicle in the closed position.

The broken lines on the right sides of FIGS. 4 and 5 indicate where the partial views are cut from the larger whole views.

These broken lines also form no part of the claimed design.

1 Claim, 3 Drawing Sheets





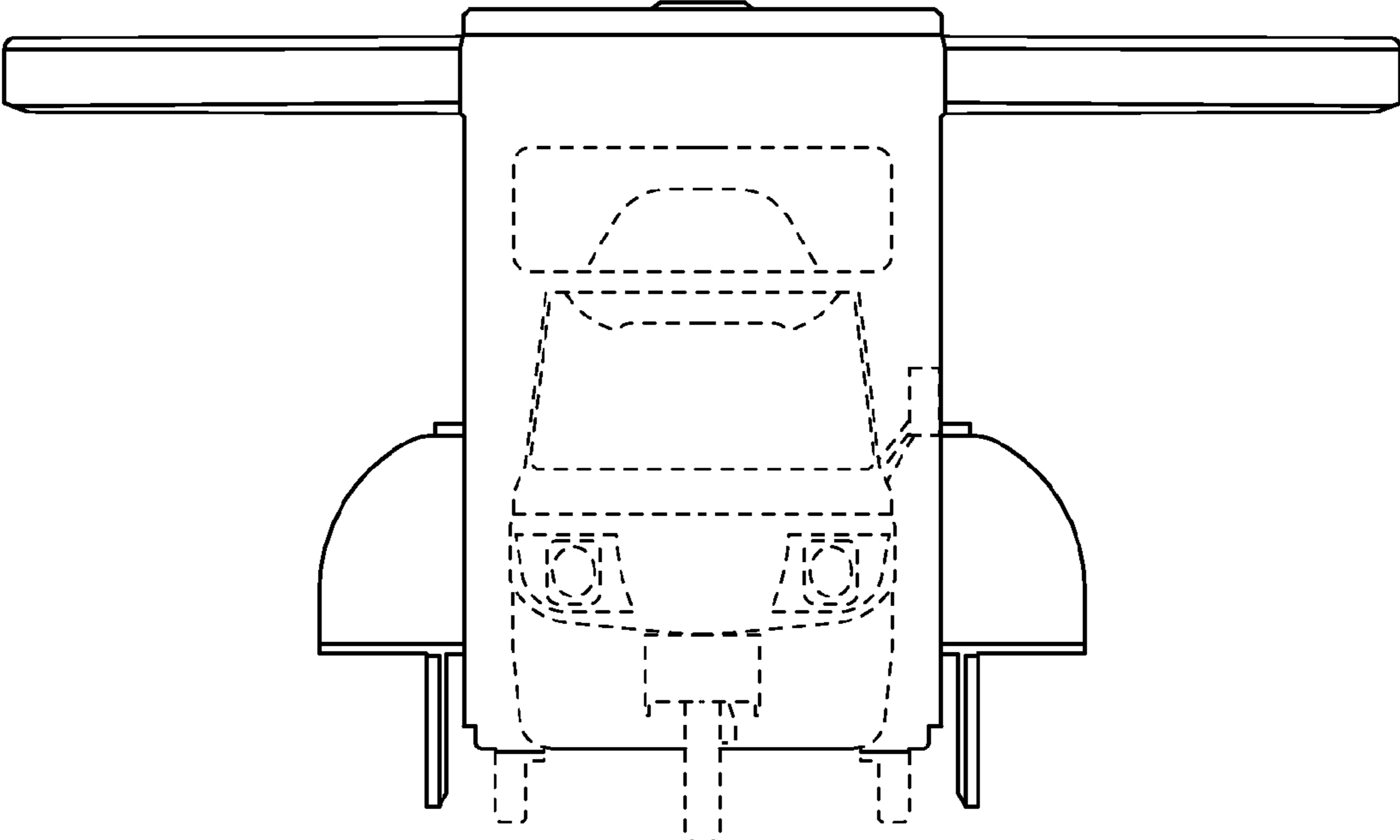


FIG. 3

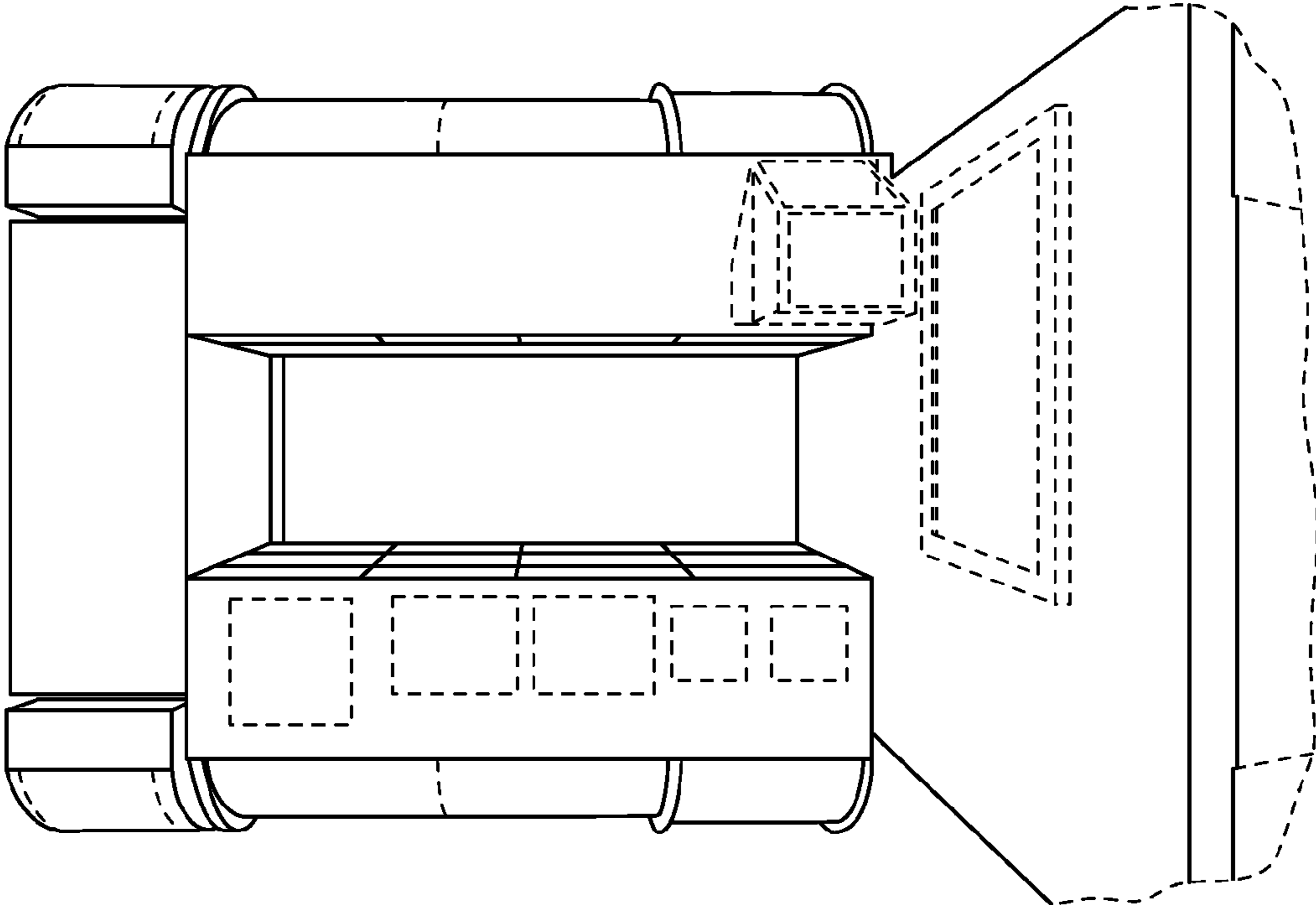


FIG. 4

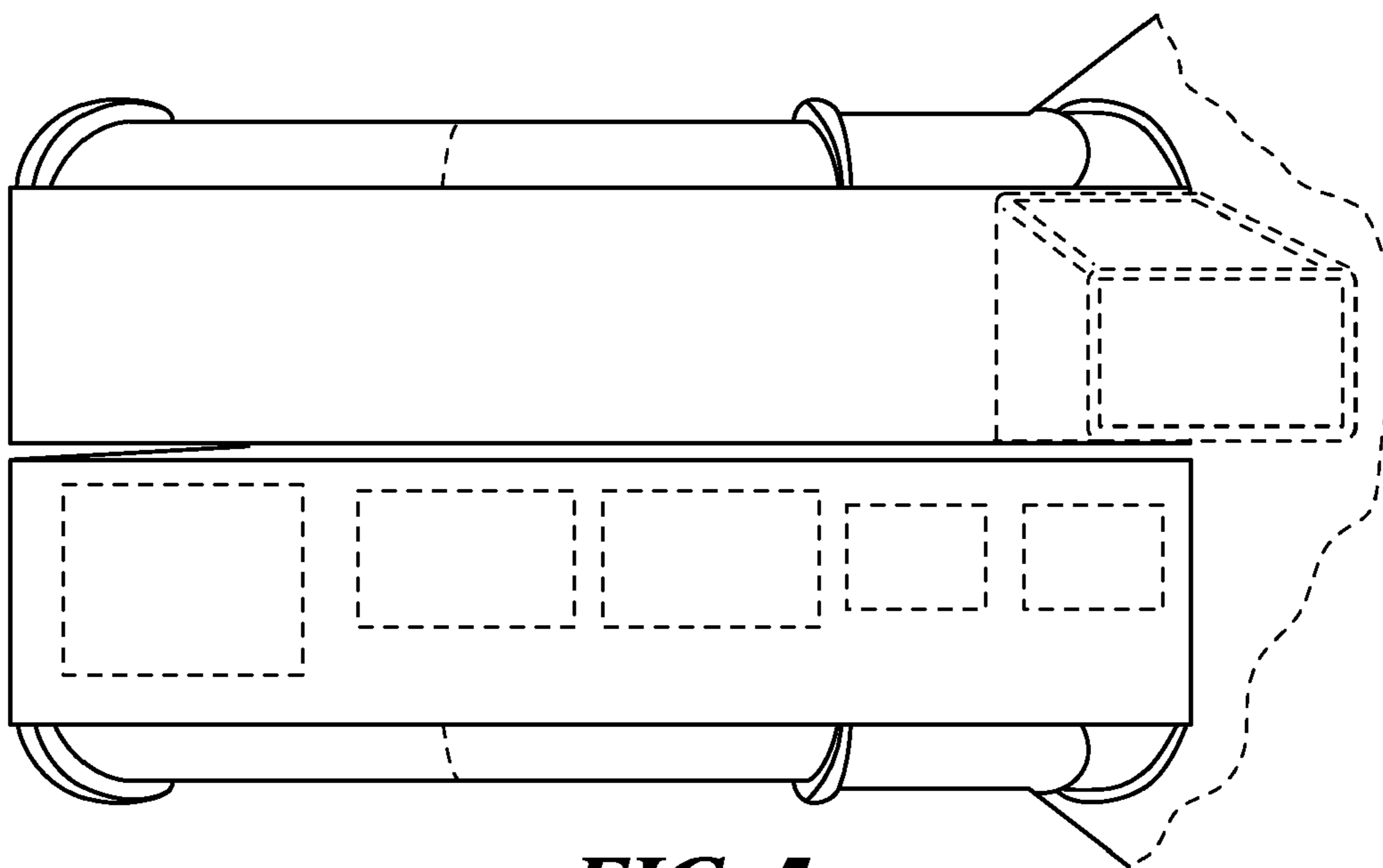


FIG. 5

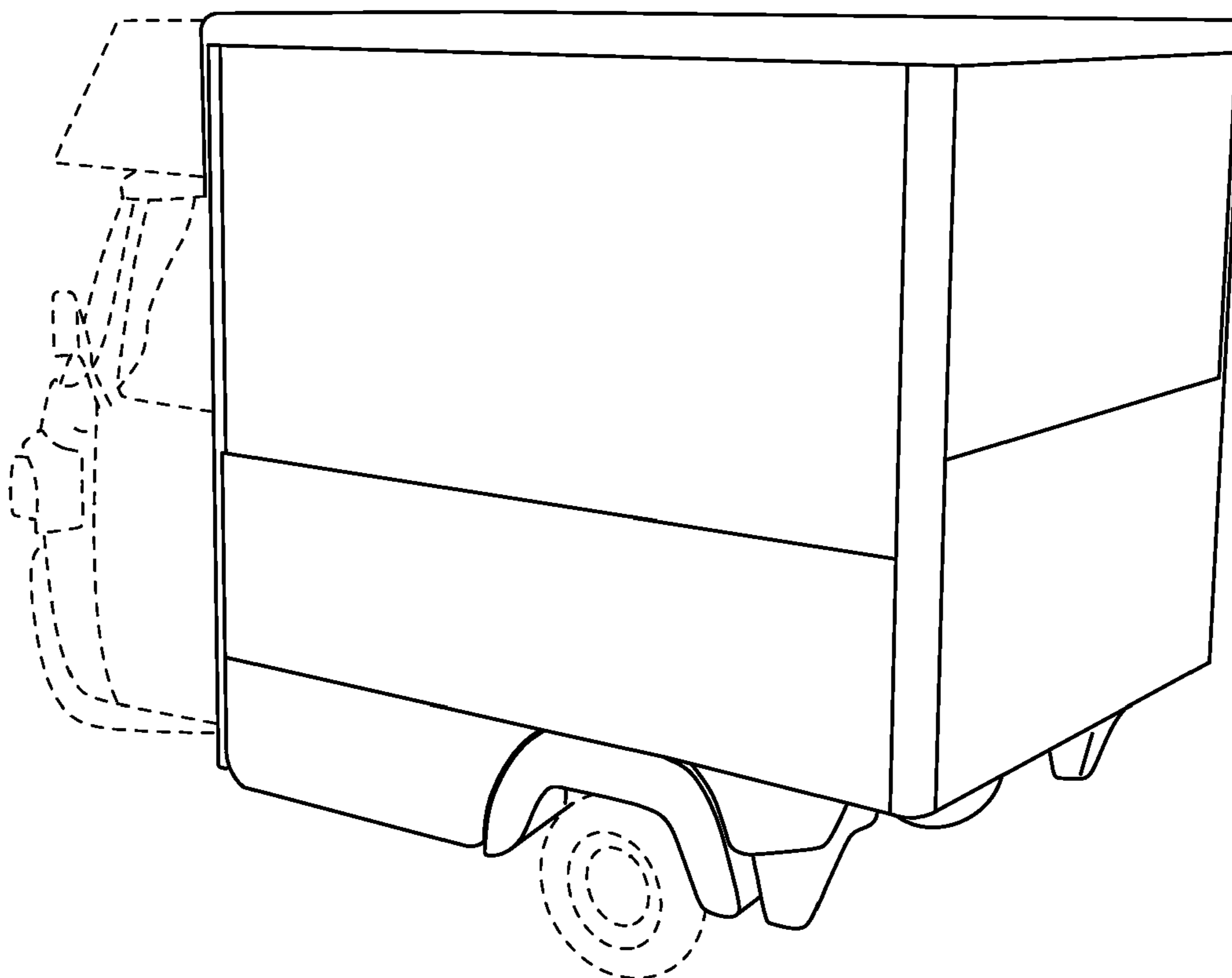


FIG. 6