



US00D650309S

(12) **United States Design Patent**  
**Hashimoto**

(10) **Patent No.:** **US D650,309 S**

(45) **Date of Patent:** **\*\* Dec. 13, 2011**

(54) **FRAME FOR HOLDING DECORATIVE ARTICLE**

D630,123 S \* 1/2011 Ott ..... D11/144  
D640,586 S \* 6/2011 Tanaka ..... D11/155  
D640,587 S \* 6/2011 Tanaka ..... D11/155

(75) Inventor: **Masaki Hashimoto**, Ibaraki (JP)

**FOREIGN PATENT DOCUMENTS**

(73) Assignee: **Suntory Holdings Limited**, Osaka (JP)

JP D1329695 5/2008  
JP D1380251 2/2010

(\*\*) Term: **14 Years**

\* cited by examiner

(21) Appl. No.: **29/385,115**

*Primary Examiner* — Garth Rademaker

(22) Filed: **Feb. 9, 2011**

(74) *Attorney, Agent, or Firm* — Greenblum & Bernstein P.L.C.

(30) **Foreign Application Priority Data**

(57) **CLAIM**

Aug. 11, 2010 (JP) ..... 2010-019641

The ornamental design for a frame for holding decorative article, as shown and described.

(51) **LOC (9) Cl.** ..... **11-02**

**DESCRIPTION**

(52) **U.S. Cl.** ..... **D11/155; D11/143**

(58) **Field of Classification Search** ..... D6/403-405,  
D6/556-558; D8/1; D11/143-156, 164;  
D19/77, 80, 81; D25/100; D26/9-11, 16;  
D34/1, 2, 4-6; D99/5, 19; 47/32.4, 32.5,  
47/32.7, 33, 41.01, 41.1, 41.11-41.15, 44-47,  
47/65, 65.5, 65.9, 66.1, 66.2, 66.6, 66.7,  
47/67-71

FIG. 1 is a front view of a frame for holding decorative article showing my new design;  
FIG. 2 is a rear view thereof;  
FIG. 3 is a right side view thereof, the left side view being a mirror image thereof;  
FIG. 4 is a top plan view thereof;  
FIG. 5 is a bottom plan view thereof;  
FIG. 6 is a top, front, right side perspective view thereof;  
FIG. 7 is a bottom, rear, right side perspective view thereof;  
FIG. 8 is a cross-section view thereof, taken on line 8-8 of FIG. 1;  
FIG. 9 is a cross-section view thereof, taken on line 9-9 of FIG. 1; and,  
FIG. 10 is a cross-section view thereof, taken on line 10-10 of FIG. 4.

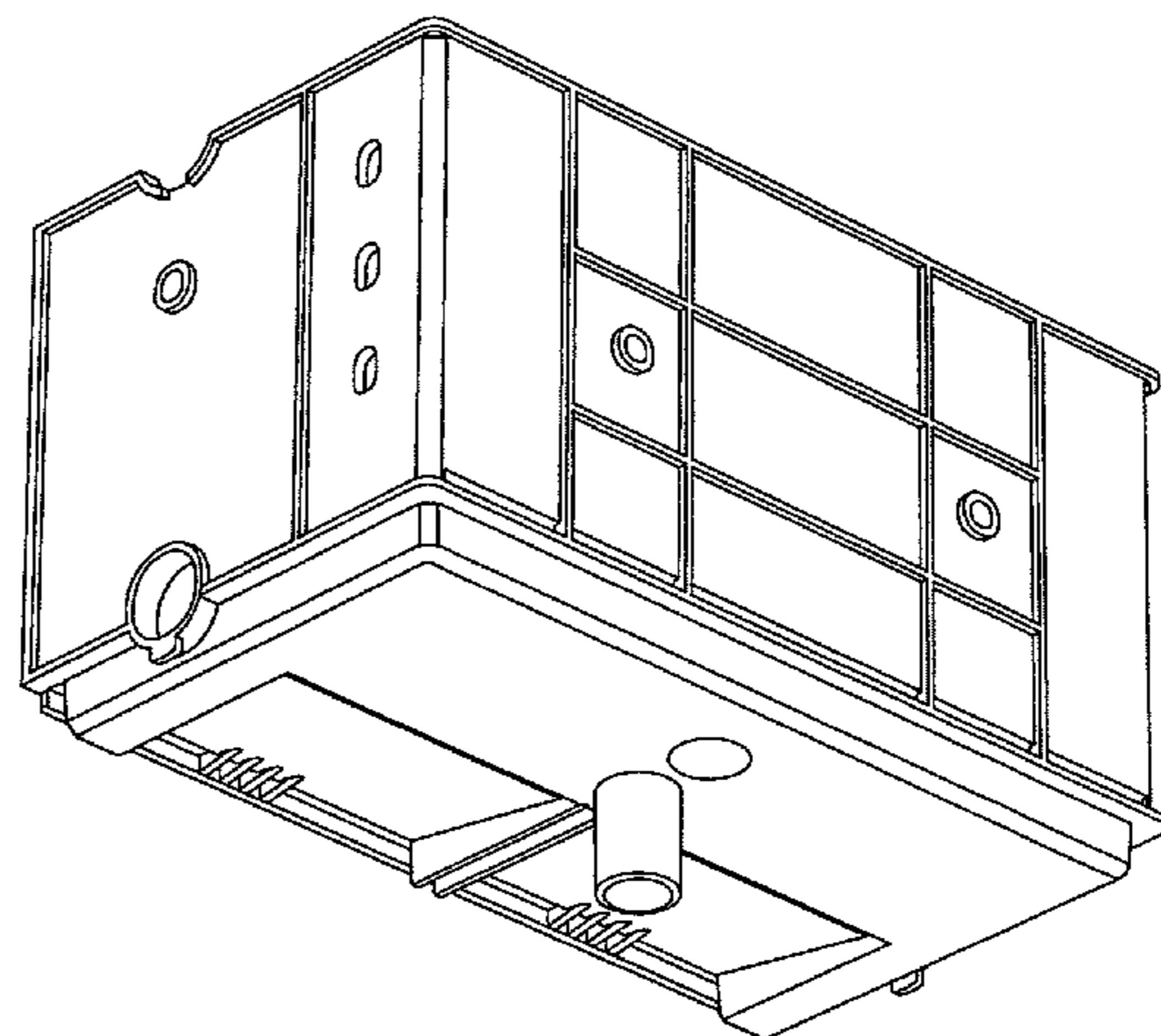
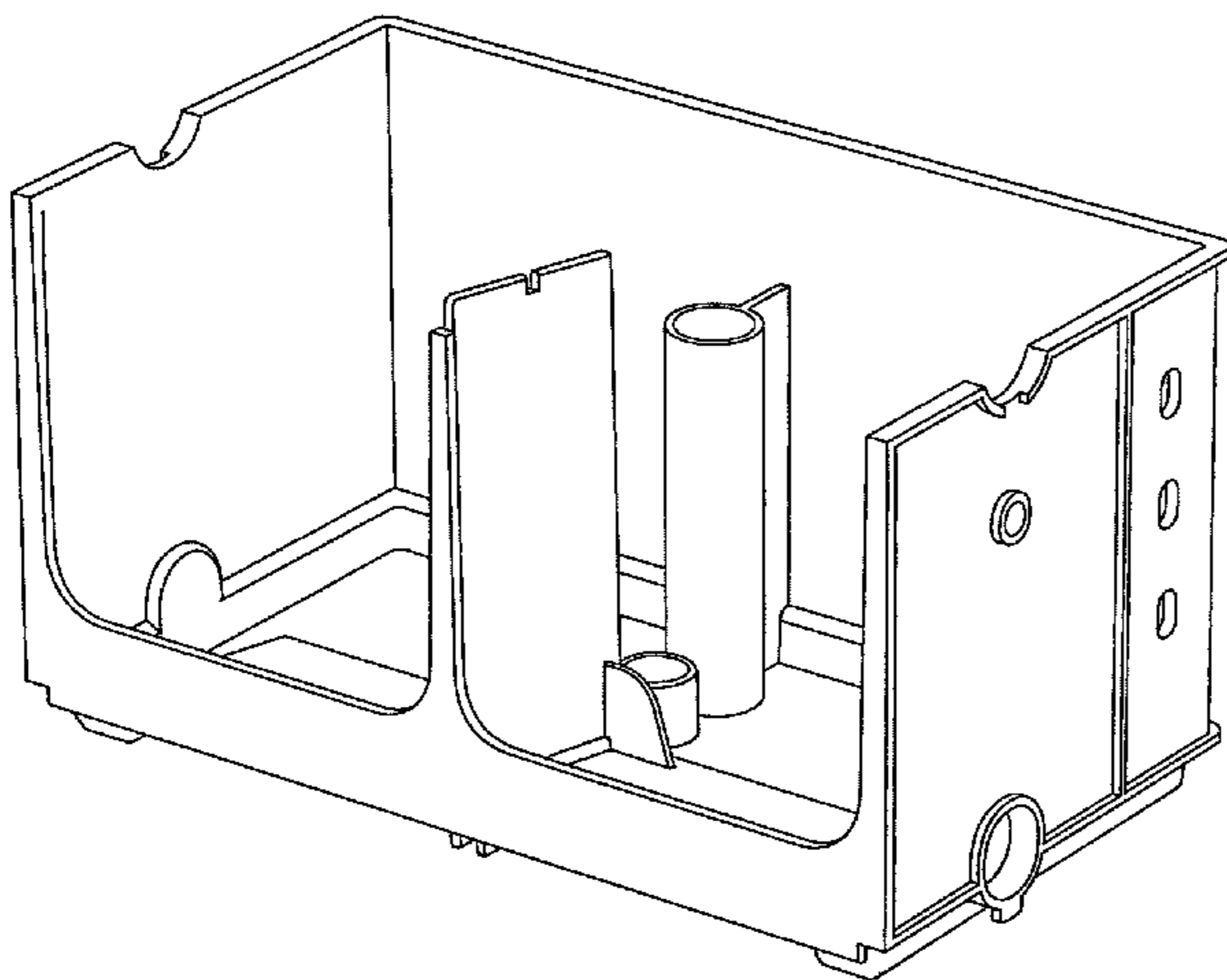
See application file for complete search history.

(56) **References Cited**

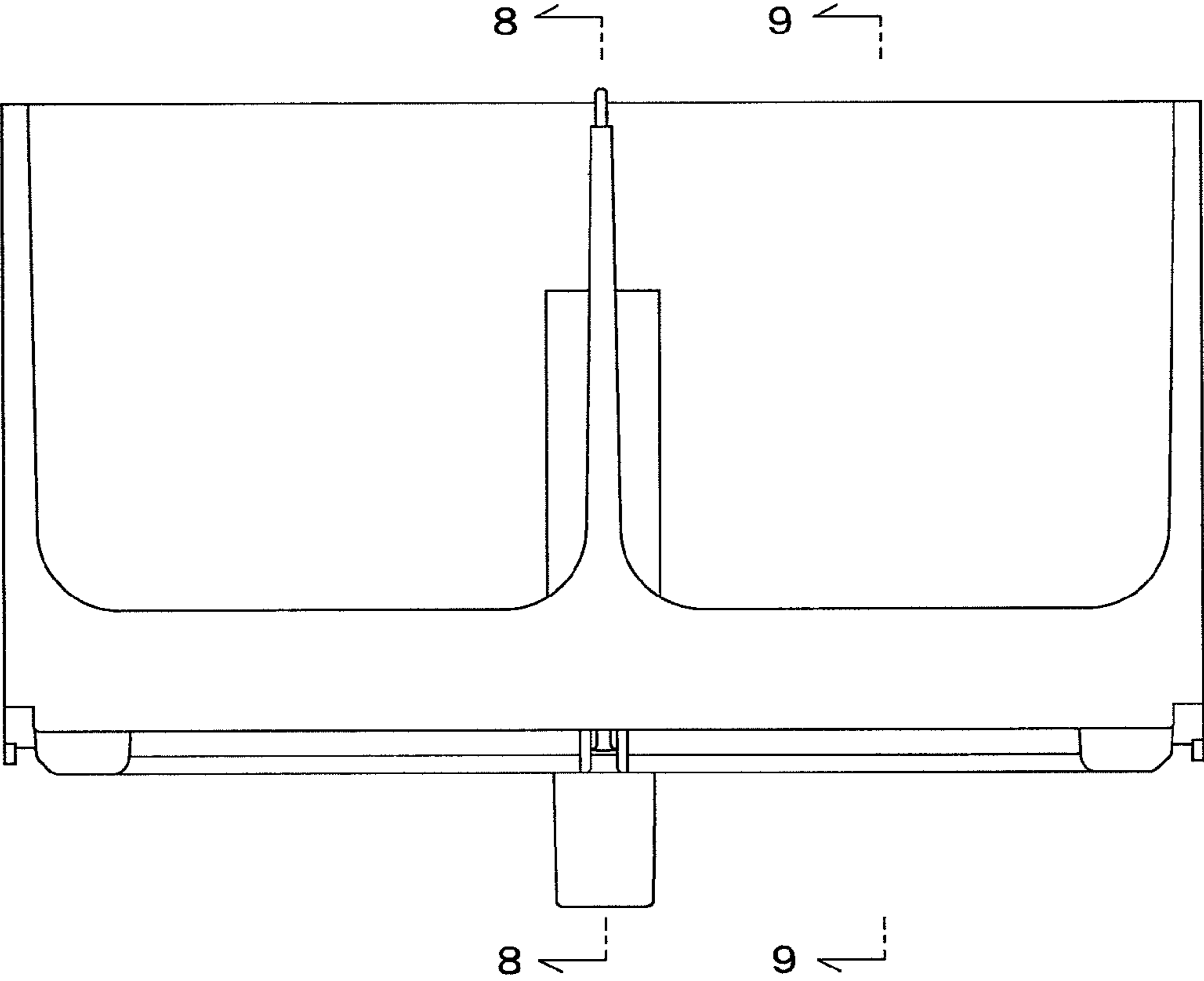
**U.S. PATENT DOCUMENTS**

D397,280 S \* 8/1998 Schorr ..... D8/1  
D539,998 S \* 4/2007 Andrade ..... D34/3  
D614,992 S \* 5/2010 DiPaolo et al. .... D11/156  
D620,218 S \* 7/2010 Larin ..... D34/1  
D623,983 S \* 9/2010 Hashimoto ..... D11/131

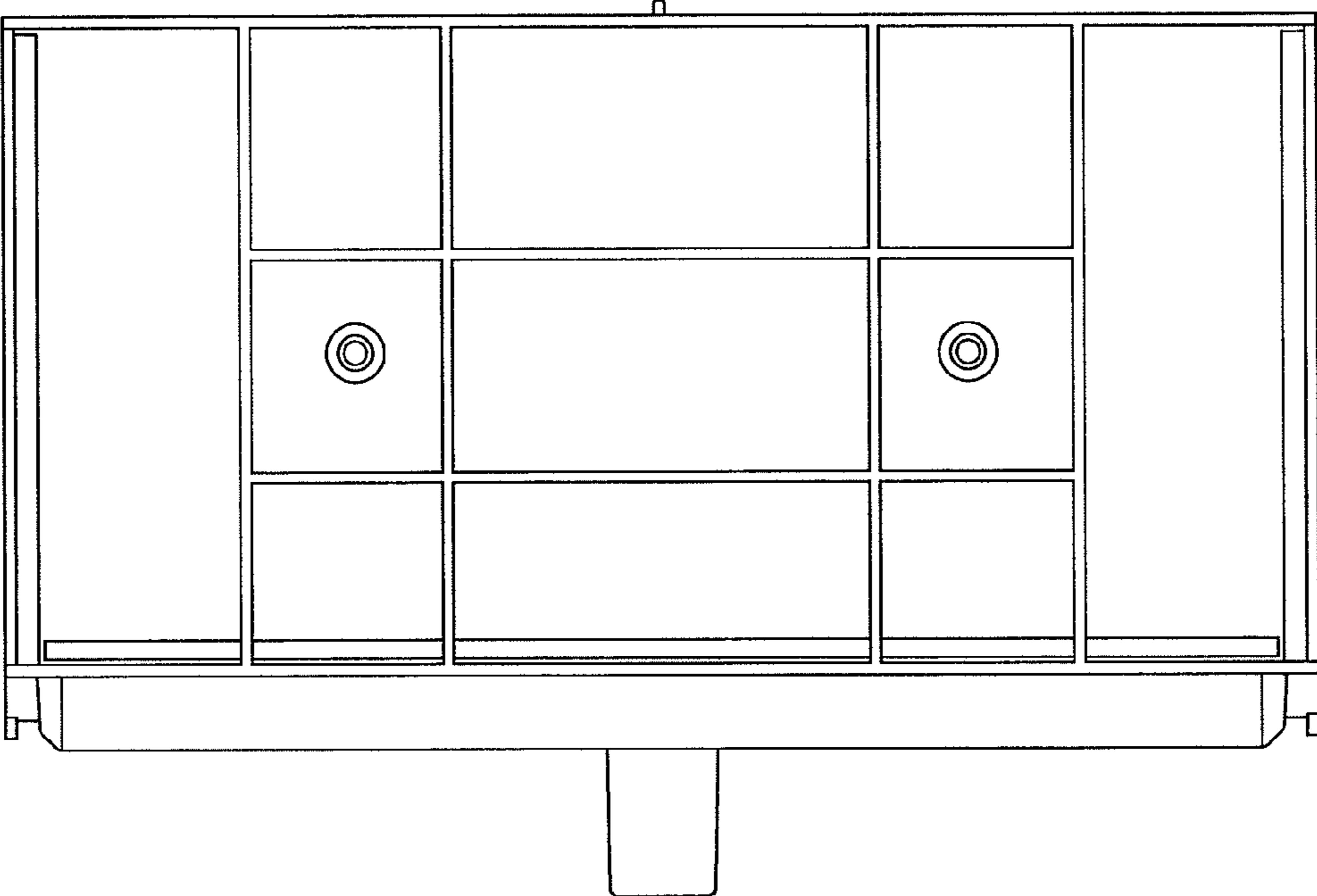
**1 Claim, 10 Drawing Sheets**



F i g . 1



F i g . 2



F i g . 3

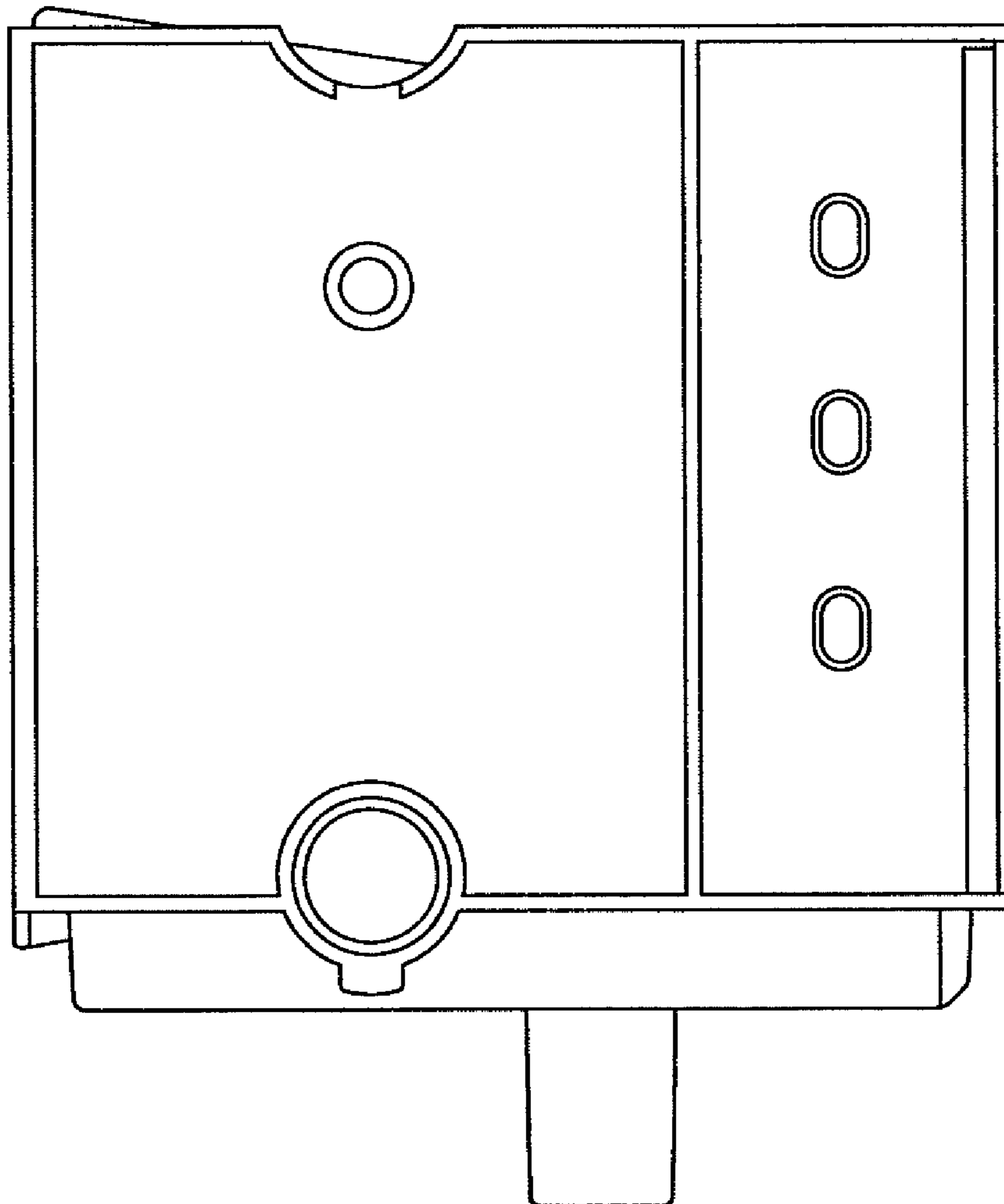
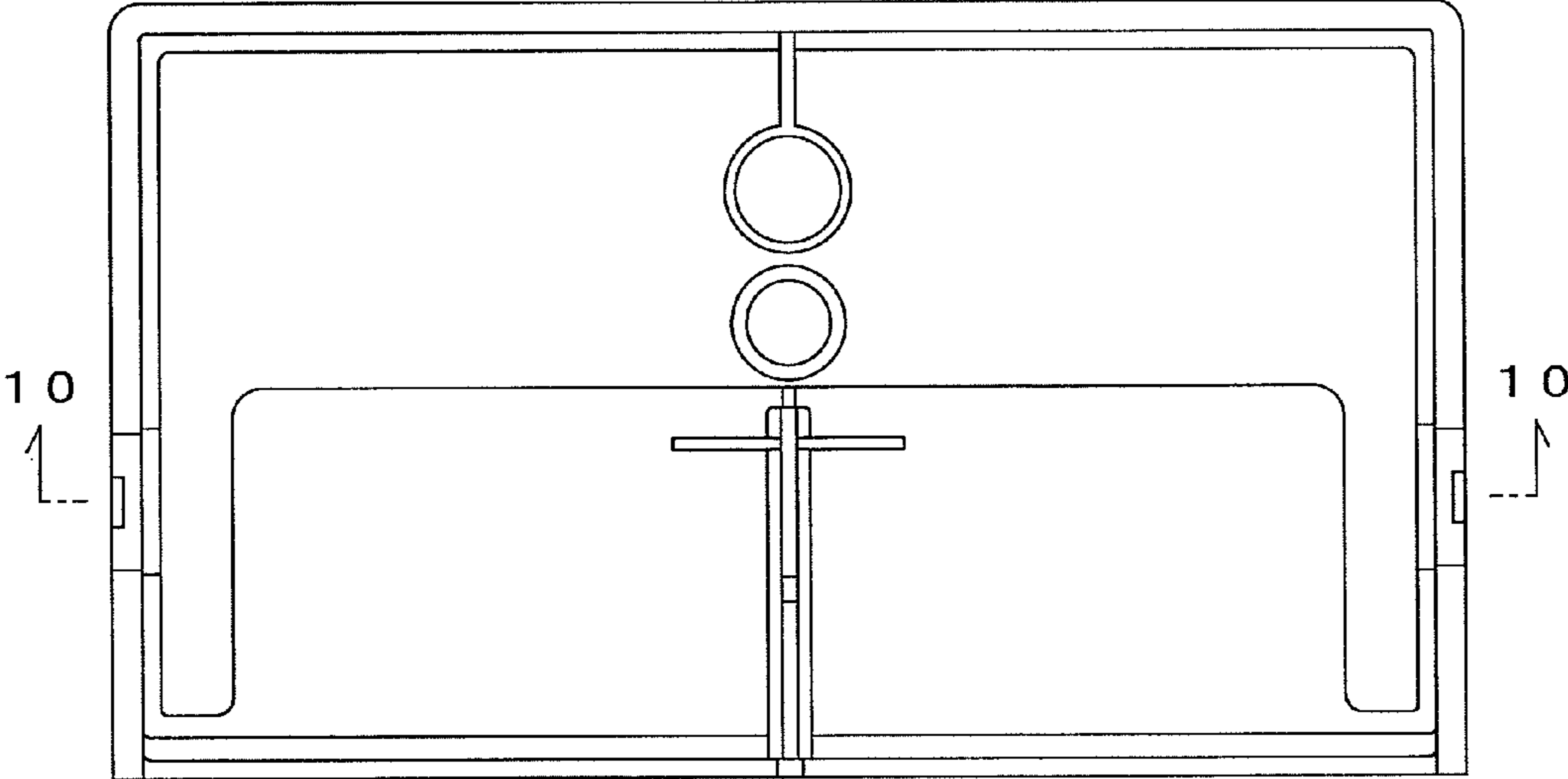
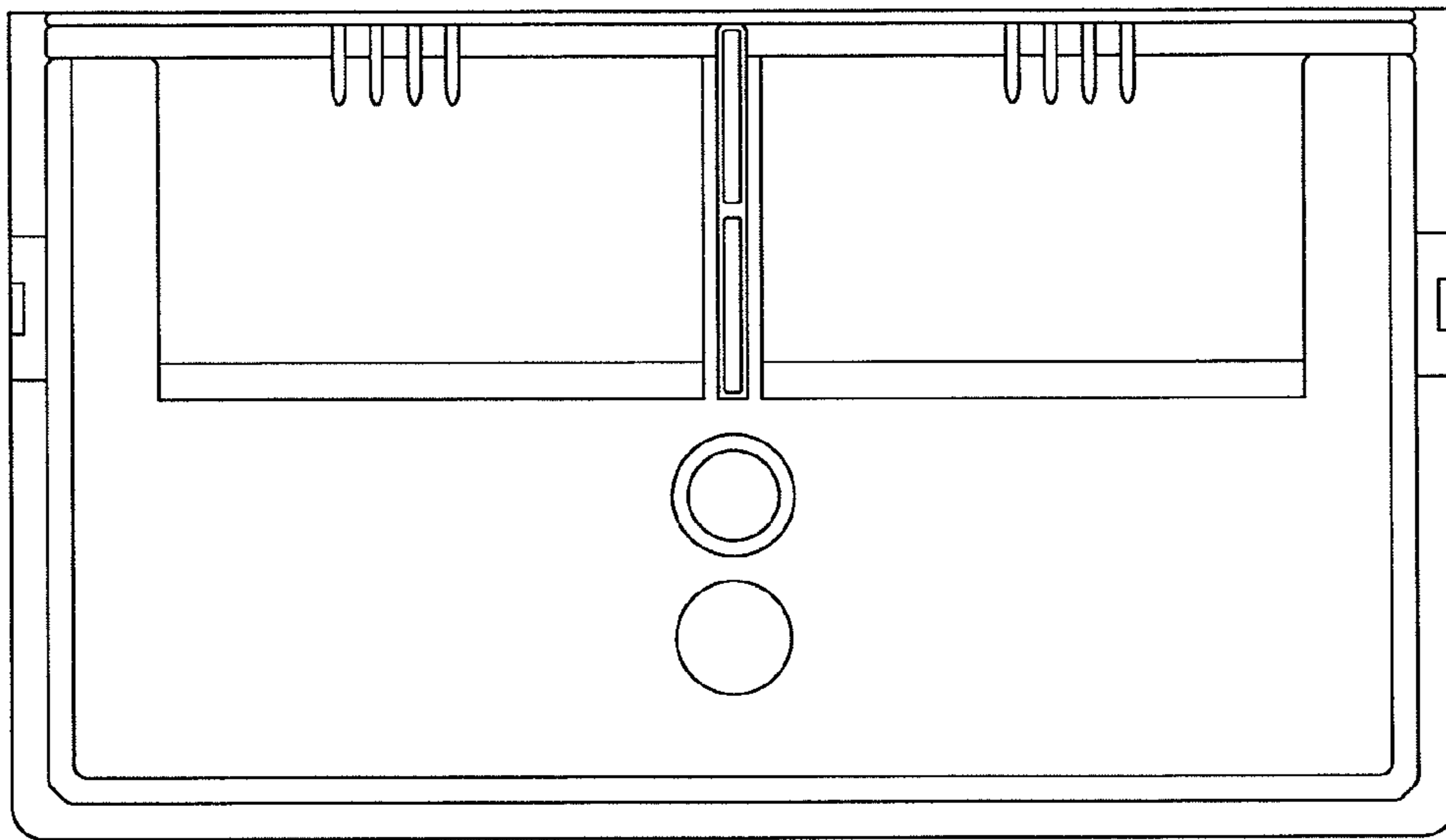


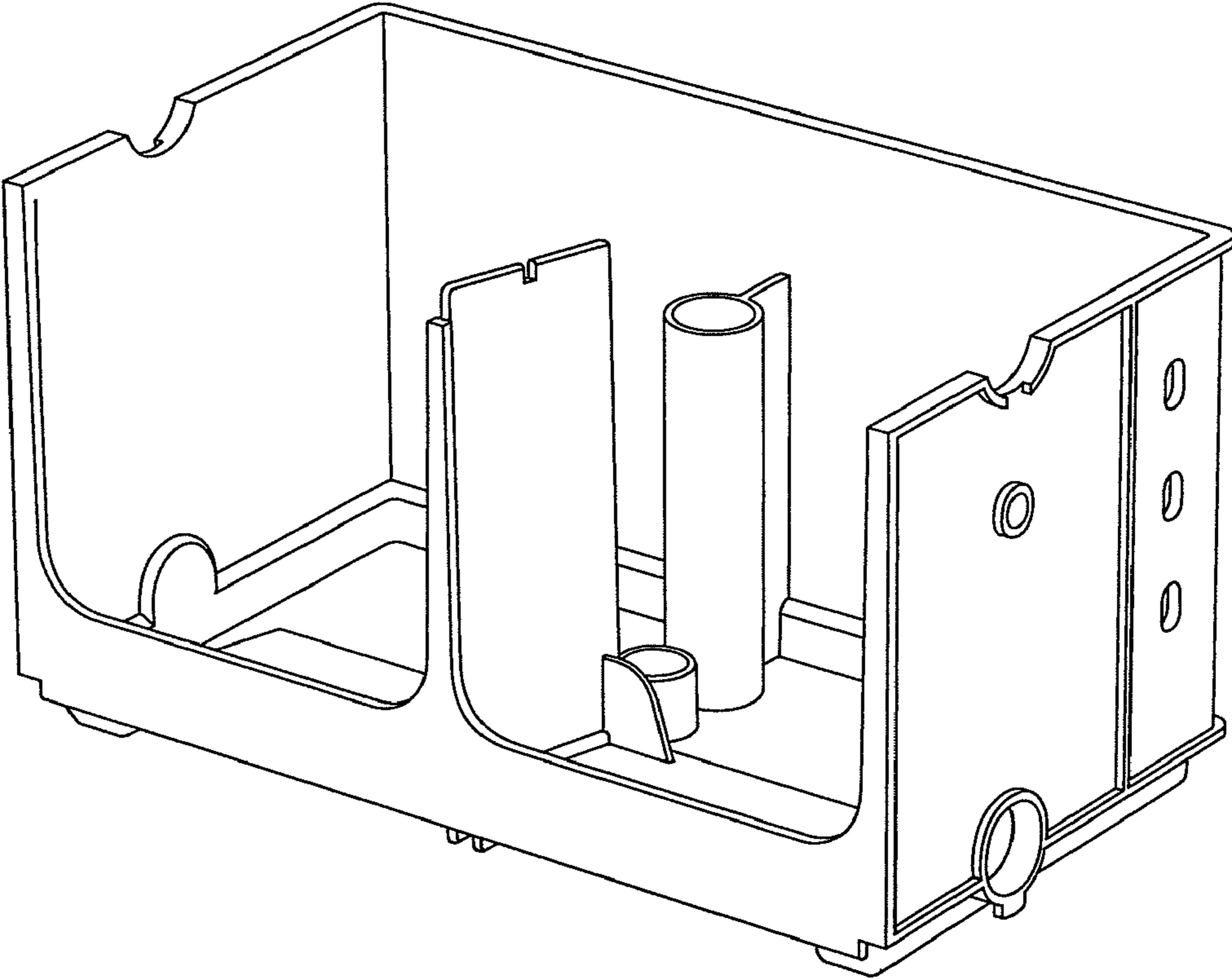
Fig. 4



F i g . 5



F i g . 6



F i g . 7

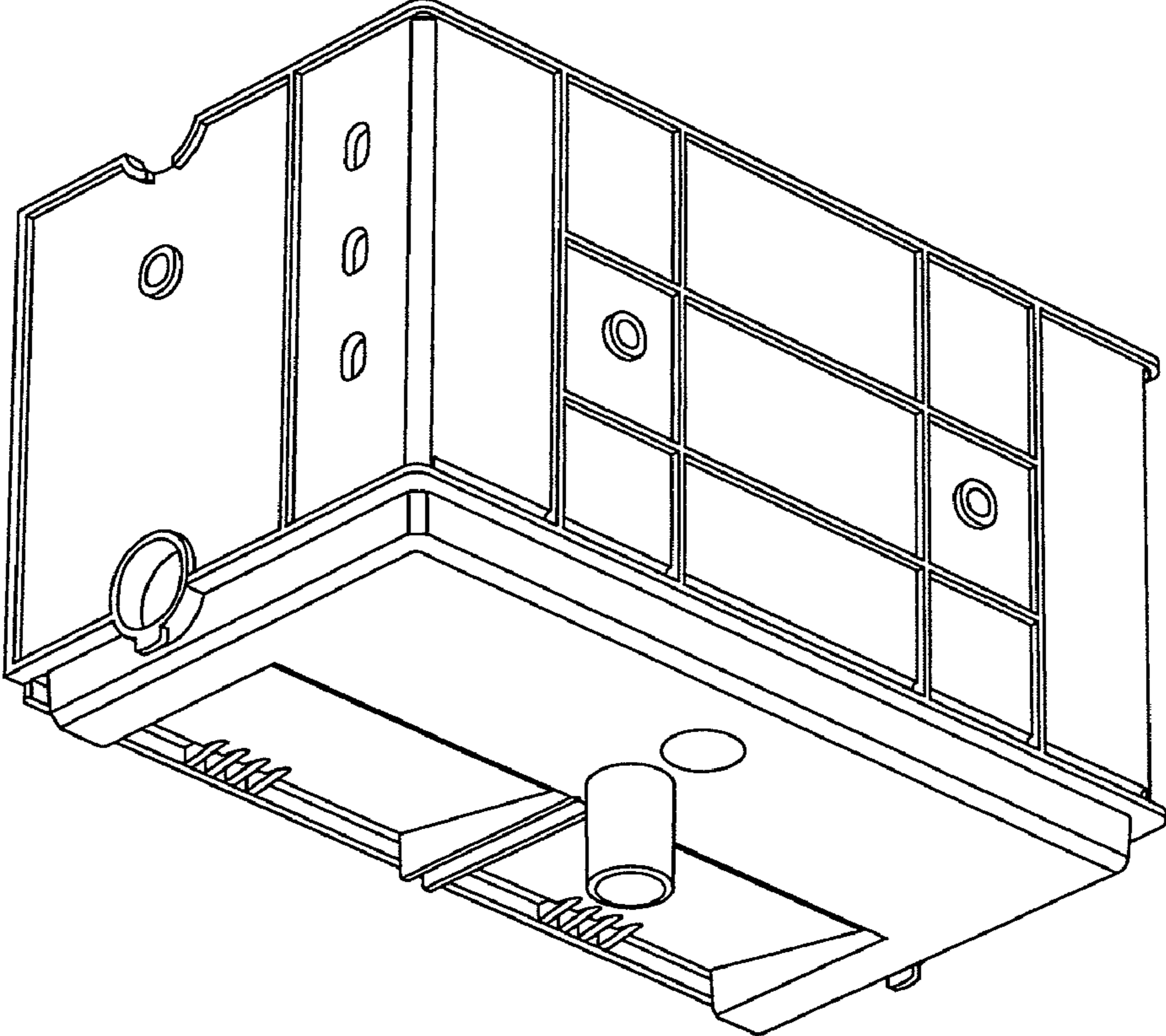
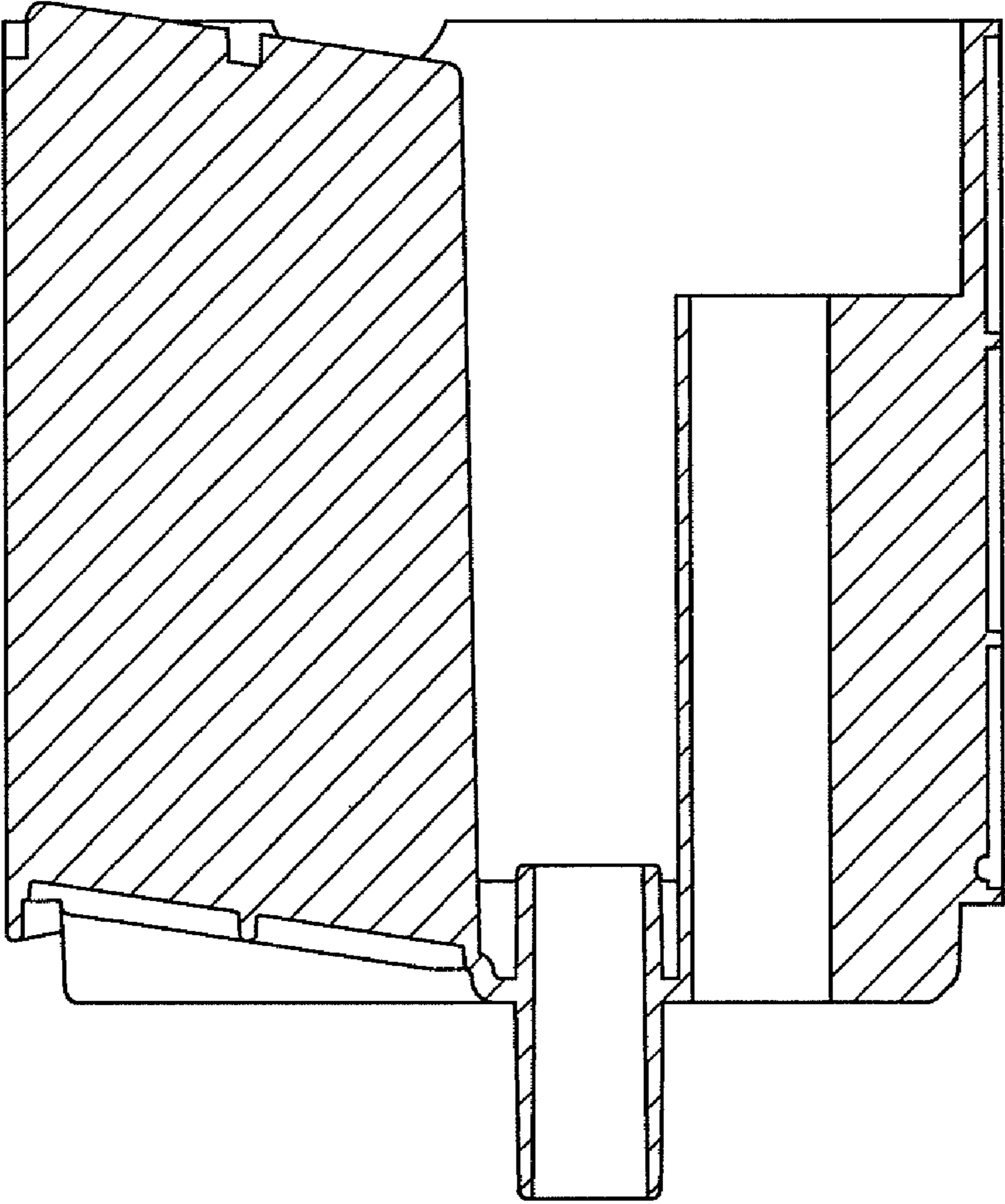
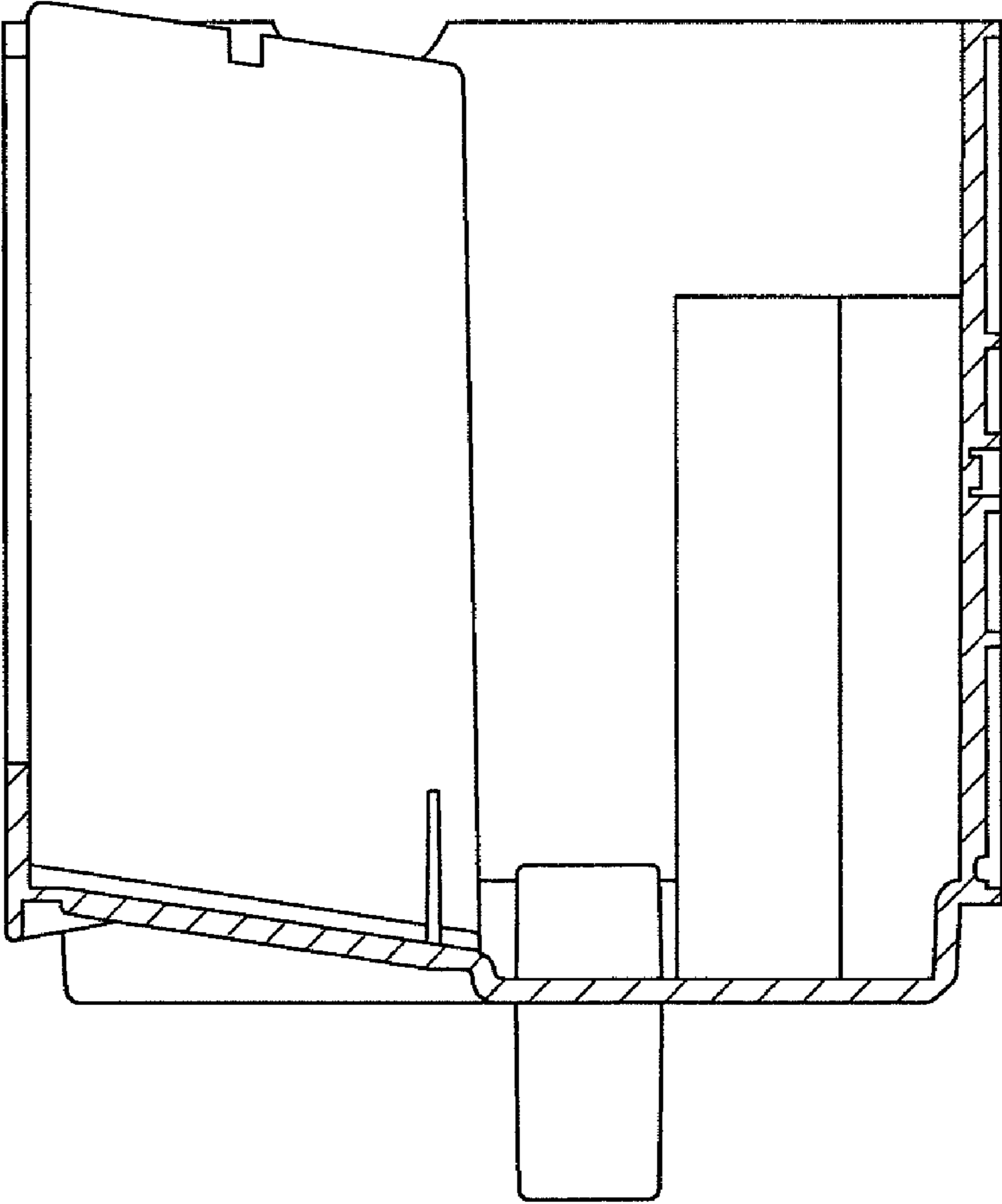




Fig. 8



F i g . 9



F i g . 1 0

