



US00D650302S

(12) **United States Design Patent**
Greubel et al.

(10) **Patent No.:** **US D650,302 S**

(45) **Date of Patent:** **** Dec. 13, 2011**

(54) **WATCH MOVEMENT BALANCE PART**

(75) Inventors: **Robert Greubel**, Lignières (CH);
Stephen Forsey, Les Brenets (CH);
Christophe Zwahlen, La Brévine (CH)

(73) Assignee: **Complitime SA**, La Chaux-de-Fonds
(CH)

(**) Term: **14 Years**

(21) Appl. No.: **29/394,383**

(22) Filed: **Jun. 16, 2011**

(30) **Foreign Application Priority Data**

Dec. 20, 2010 (WO) DM/075 391

(51) **LOC (9) Cl.** **10-07**

(52) **U.S. Cl.** **D10/128; D10/129**

(58) **Field of Classification Search** D10/128,
D10/129; 368/169, 171, 127, 161, 202, 158,
368/170

See application file for complete search history.

(56) **References Cited**

U.S. PATENT DOCUMENTS

57,310	A *	8/1866	French	368/132
208,238	A *	9/1878	Heinrich	368/171
387,567	A *	8/1888	Pickert	368/171
402,032	A *	4/1889	Pickert	368/171
455,787	A *	7/1891	Bilgram	368/171
631,103	A *	8/1899	Borel	368/171
788,399	A *	4/1905	Freund	368/171
798,993	A *	9/1905	Culman	368/171
1,028,794	A *	6/1912	Sporleder	368/171

1,159,242	A *	11/1915	Meroz	368/175
2,116,257	A *	5/1938	Aegler	368/171
2,239,668	A *	4/1941	Aegler	368/171
2,544,306	A *	3/1951	Fleck	368/171
2,706,380	A *	4/1955	Ensign et al.	368/171
2,958,997	A *	11/1960	Jahn	368/171
3,111,807	A *	11/1963	Cloux	368/169
3,382,667	A *	5/1968	Van Horn	368/171
3,742,700	A *	7/1973	Schneider	368/169
6,520,674	B1 *	2/2003	Tokoro	368/127
6,554,468	B1 *	4/2003	Manaka et al.	368/127
6,666,575	B2 *	12/2003	Scheufele	368/127
D505,342	S *	5/2005	Hayek	D10/39
7,661,875	B2 *	2/2010	Verardo et al.	368/171
7,927,008	B2 *	4/2011	Colpo et al.	368/127

* cited by examiner

Primary Examiner — Lucy Lieberman

(74) *Attorney, Agent, or Firm* — Collen IP; Donald J. Ranft

(57) **CLAIM**

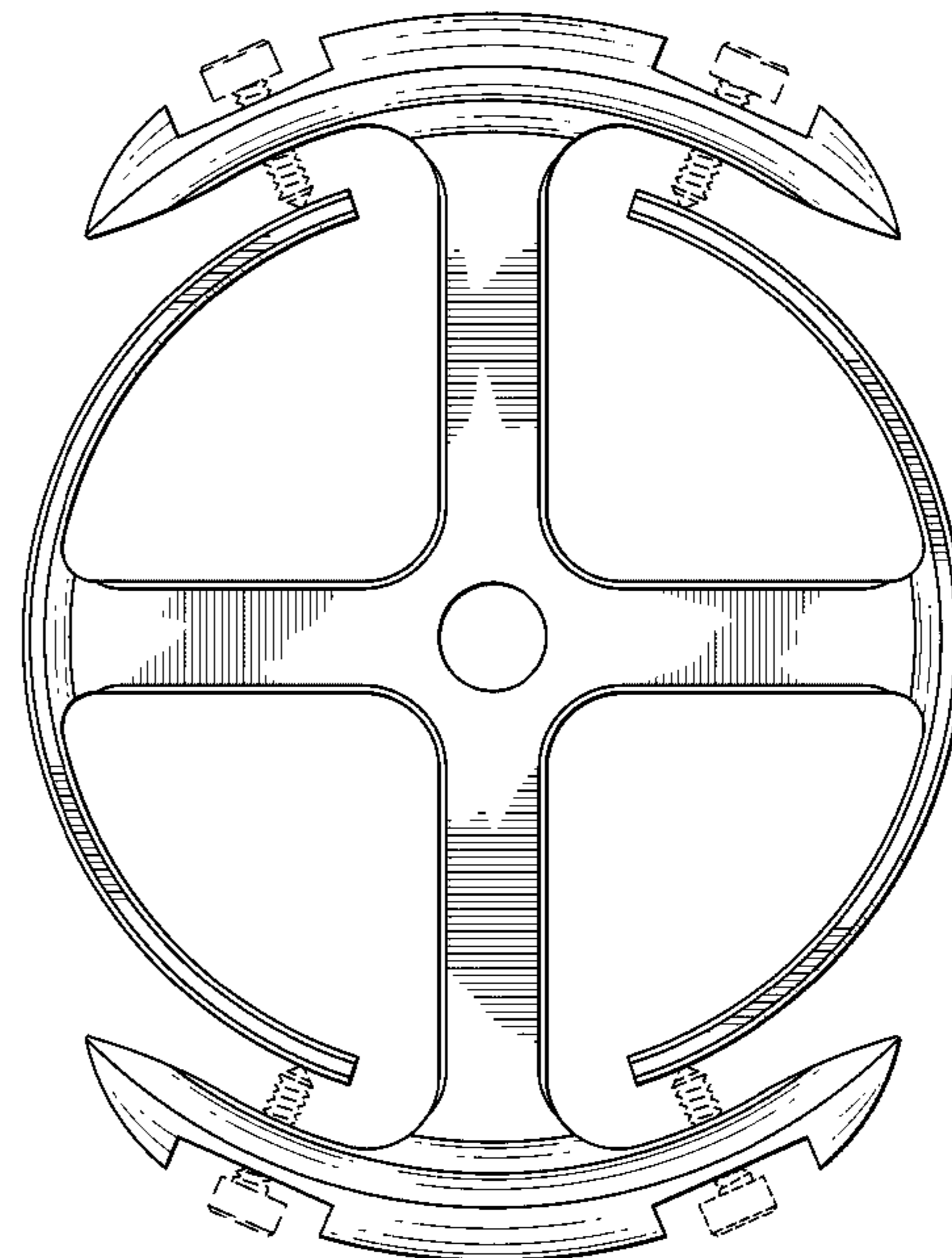
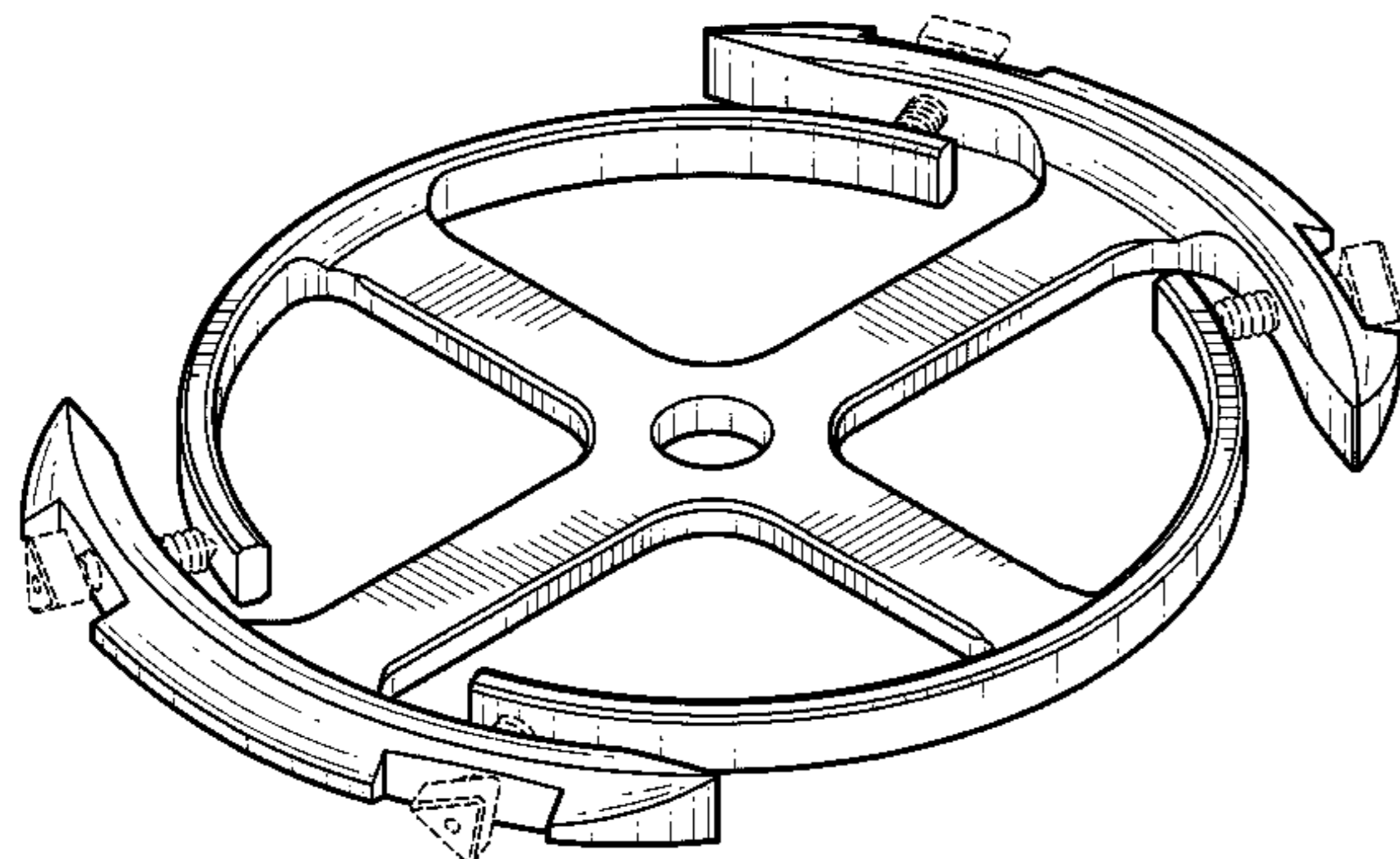
The ornamental design for a watch movement balance part, as shown and described.

DESCRIPTION

FIG. 1 is a top perspective view of a watch movement balance part showing our new design;
FIG. 2 is a rear view thereof;
FIG. 3 is a front view thereof;
FIG. 4 is a left side view thereof;
FIG. 5 is a right side view thereof;
FIG. 6 is a bottom view thereof; and,
FIG. 7 is a top thereof.

The portions of the watch movement balance part shown in broken lines form no part of the claimed design.

1 Claim, 7 Drawing Sheets



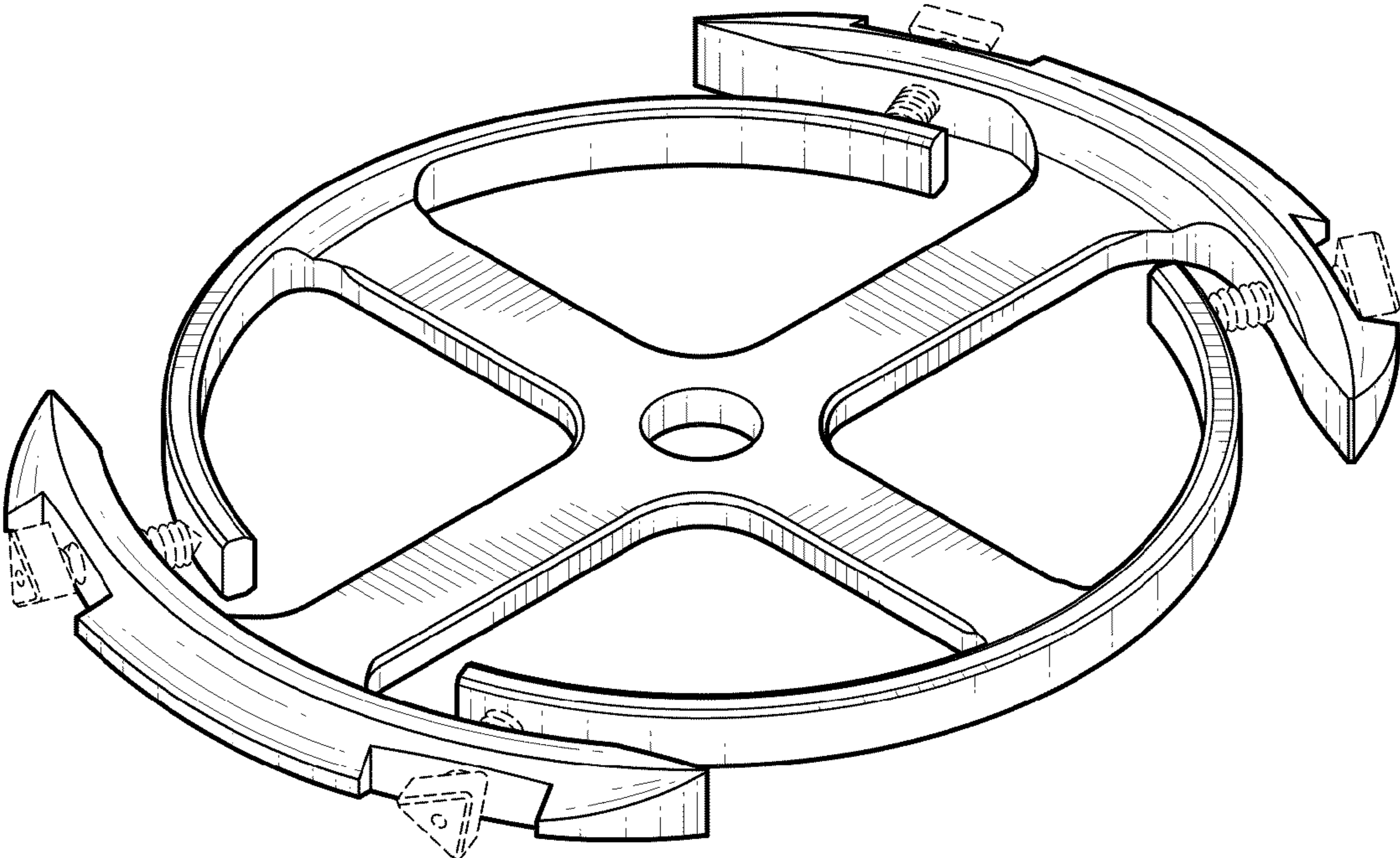


FIG. 1

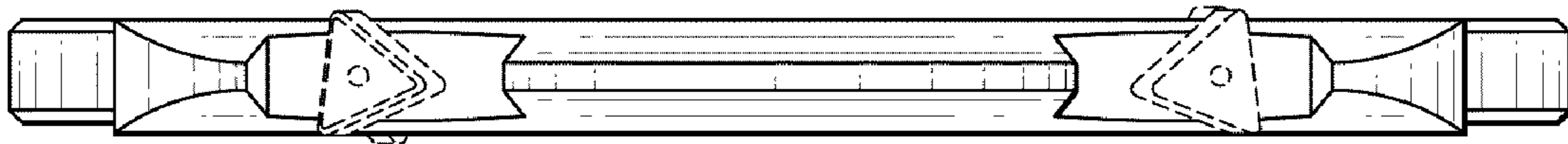


FIG. 2

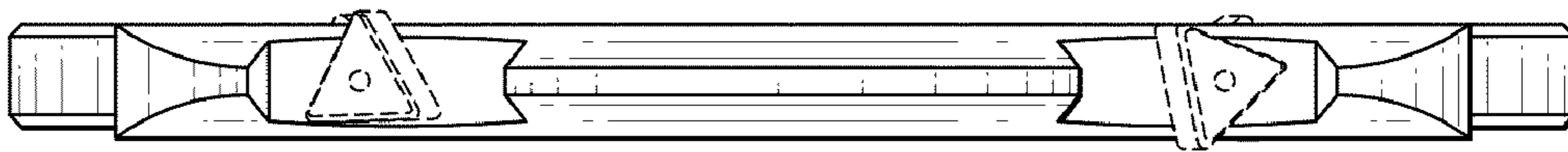


FIG.3

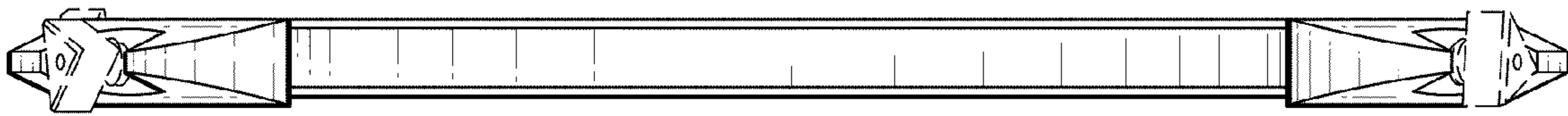


FIG. 4

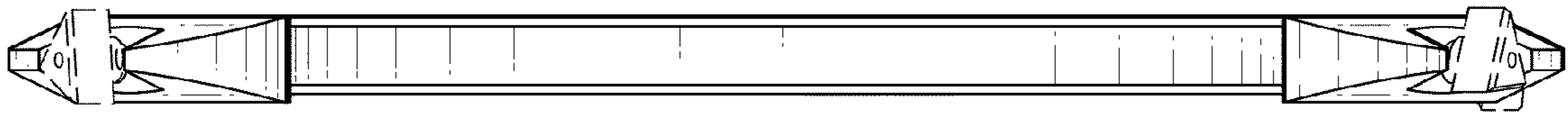


FIG.5

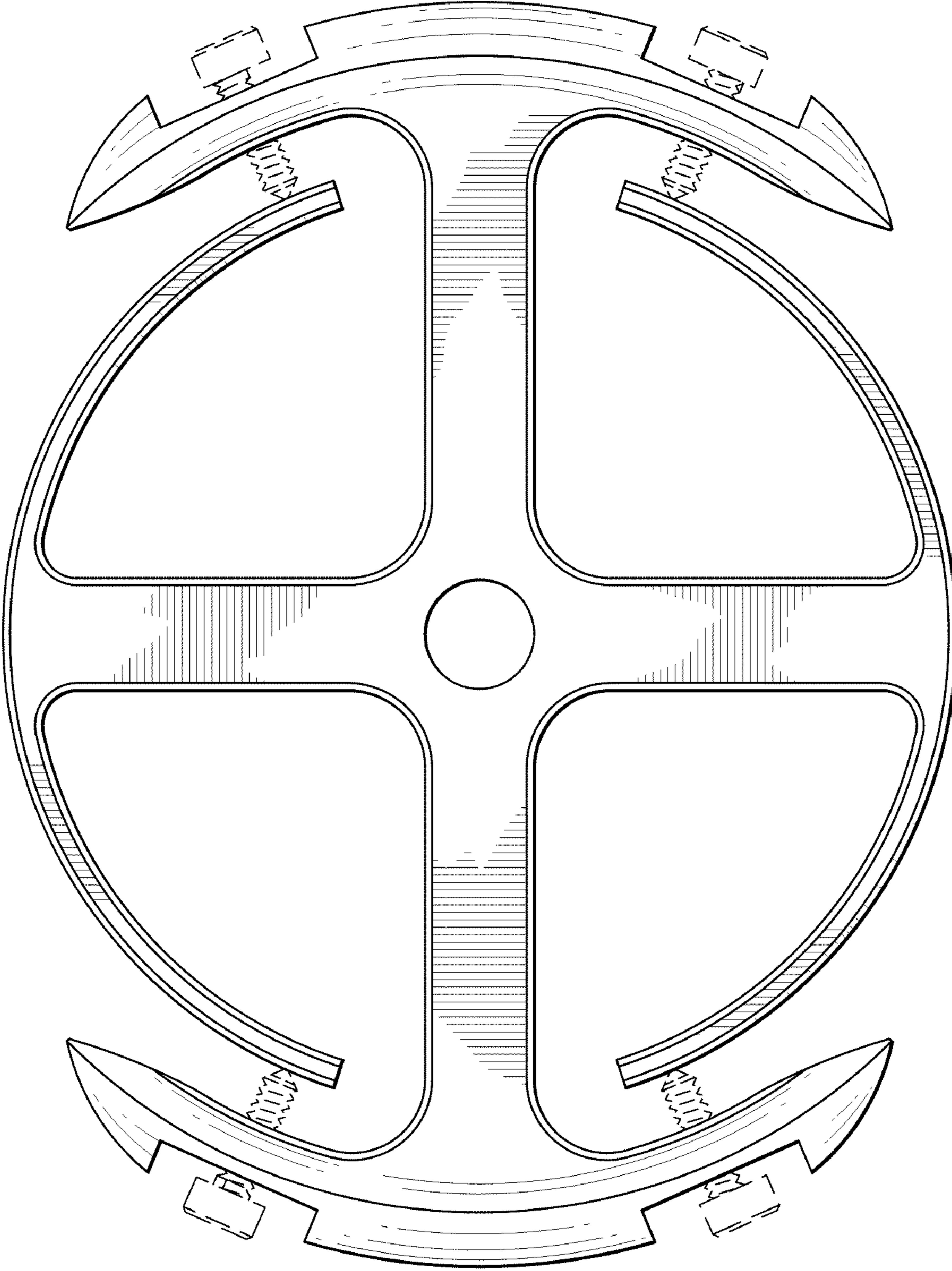


FIG. 6

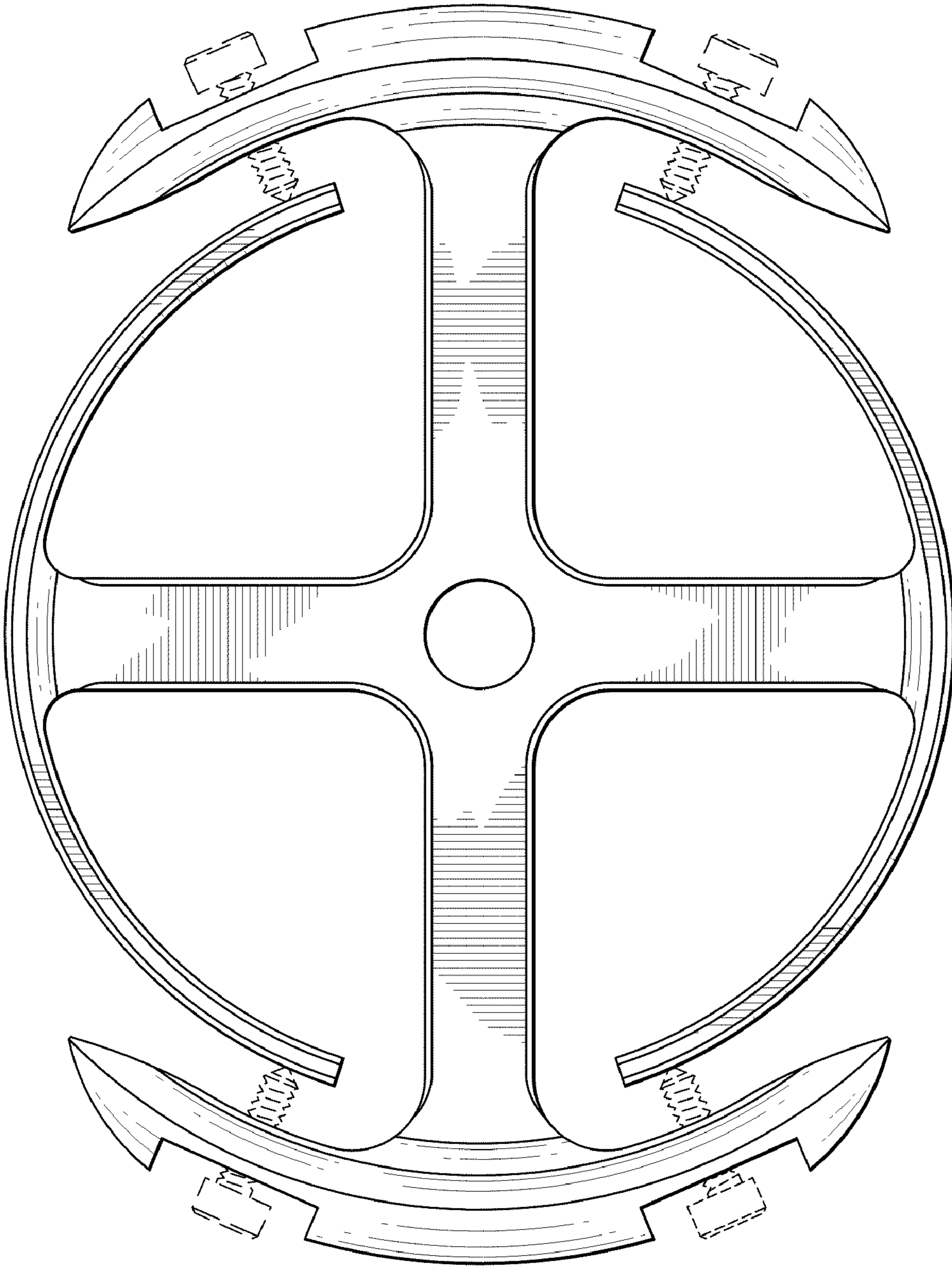


FIG. 7