



US00D650301S

(12) **United States Design Patent**
Greubel et al.

(10) **Patent No.:** **US D650,301 S**

(45) **Date of Patent:** **** Dec. 13, 2011**

(54) **WATCH MOVEMENT BALANCE PART**

(75) Inventors: **Robert Greubel**, Lignières (CH);
Stephen Forsey, Les Brenets (CH);
Christophe Zwahlen, Le Brévine (CH)

(73) Assignee: **CompliTime SA**, La Chaux-de-Fonds (CH)

(**) Term: **14 Years**

(21) Appl. No.: **29/394,381**

(22) Filed: **Jun. 16, 2011**

(30) **Foreign Application Priority Data**

Dec. 20, 2010 (WO) DM/075 391

(51) **LOC (9) Cl.** **10-07**

(52) **U.S. Cl.** **D10/128; D10/129**

(58) **Field of Classification Search** D10/128,
D10/129; 368/169, 171, 127, 161, 202, 158,
368/170

See application file for complete search history.

(56) **References Cited**

U.S. PATENT DOCUMENTS

12,129	A *	1/1855	Hawkes	368/171
38,393	A *	5/1863	James	368/175
208,238	A *	9/1878	Heinrich	368/171
278,173	A *	5/1883	Osgood	368/171
311,797	A *	2/1885	Uhrig	368/171
387,567	A *	8/1888	Pickert	368/171
402,032	A *	4/1889	Pickert	368/171
455,787	A *	7/1891	Bilgram	368/171
492,184	A *	2/1893	Bliss	368/171

517,882	A *	4/1894	Nunamaker	368/127
631,103	A *	8/1899	Borel	368/171
798,993	A *	9/1905	Culman	368/171
1,028,794	A *	6/1912	Sporleder	368/171
1,159,242	A *	11/1915	Meroz	368/175
1,859,866	A *	5/1932	Dubois	368/171
2,116,257	A *	5/1938	Aegler	368/171
2,239,668	A *	4/1941	Aegler	368/171
2,356,911	A *	8/1944	Bennett, Jr.	368/171
2,544,306	A *	3/1951	Charles	368/171
2,706,380	A *	4/1955	Ensign et al.	368/171
2,958,997	A *	11/1960	Jahn	368/171
3,041,818	A *	7/1962	Jensen	368/164
7,396,154	B2 *	7/2008	Houlon	368/127
7,527,424	B2 *	5/2009	Lechot et al.	368/127

* cited by examiner

Primary Examiner — Lucy Lieberman

(74) *Attorney, Agent, or Firm* — Collen IP; Donald J. Ranft

(57) **CLAIM**

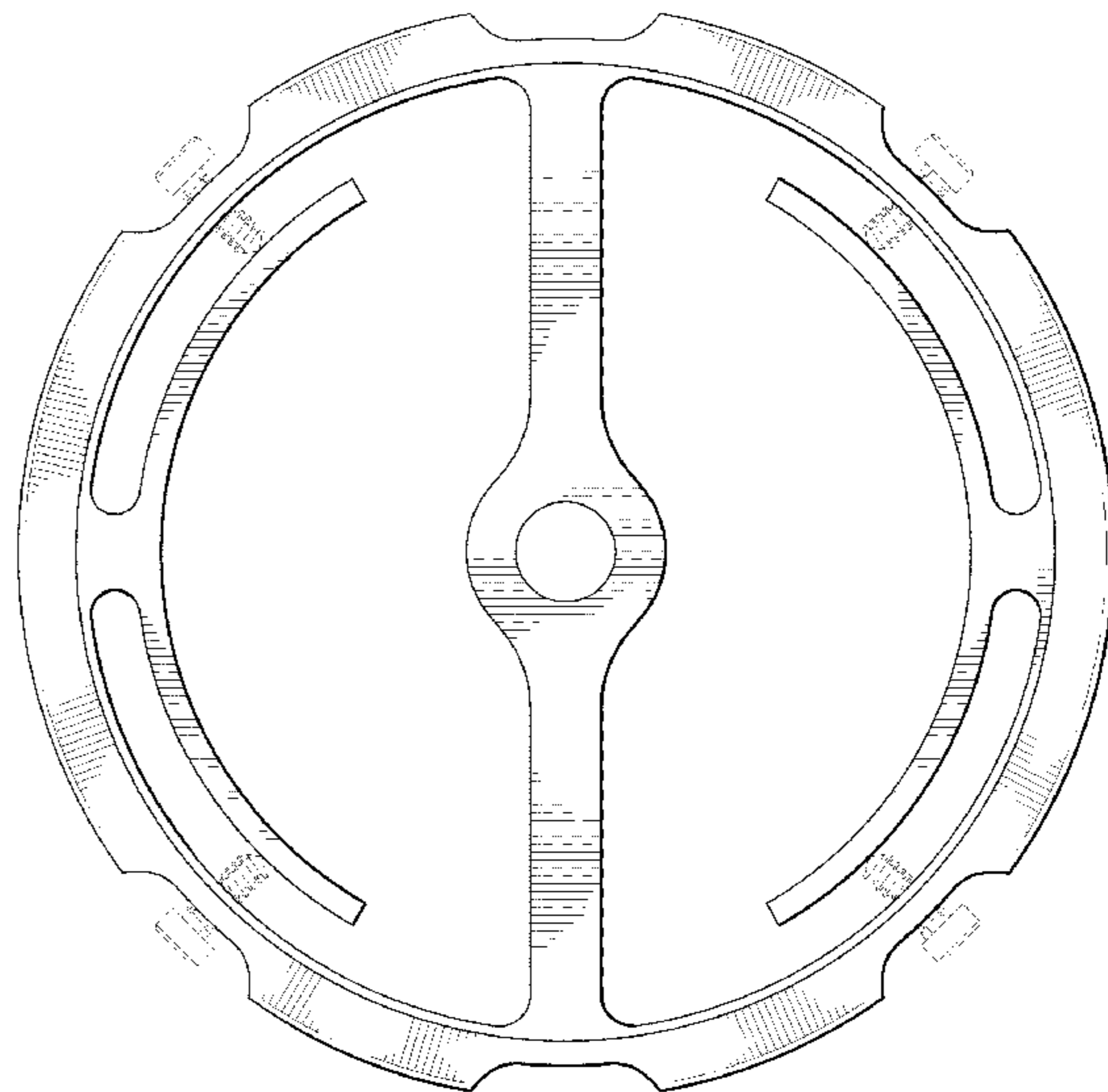
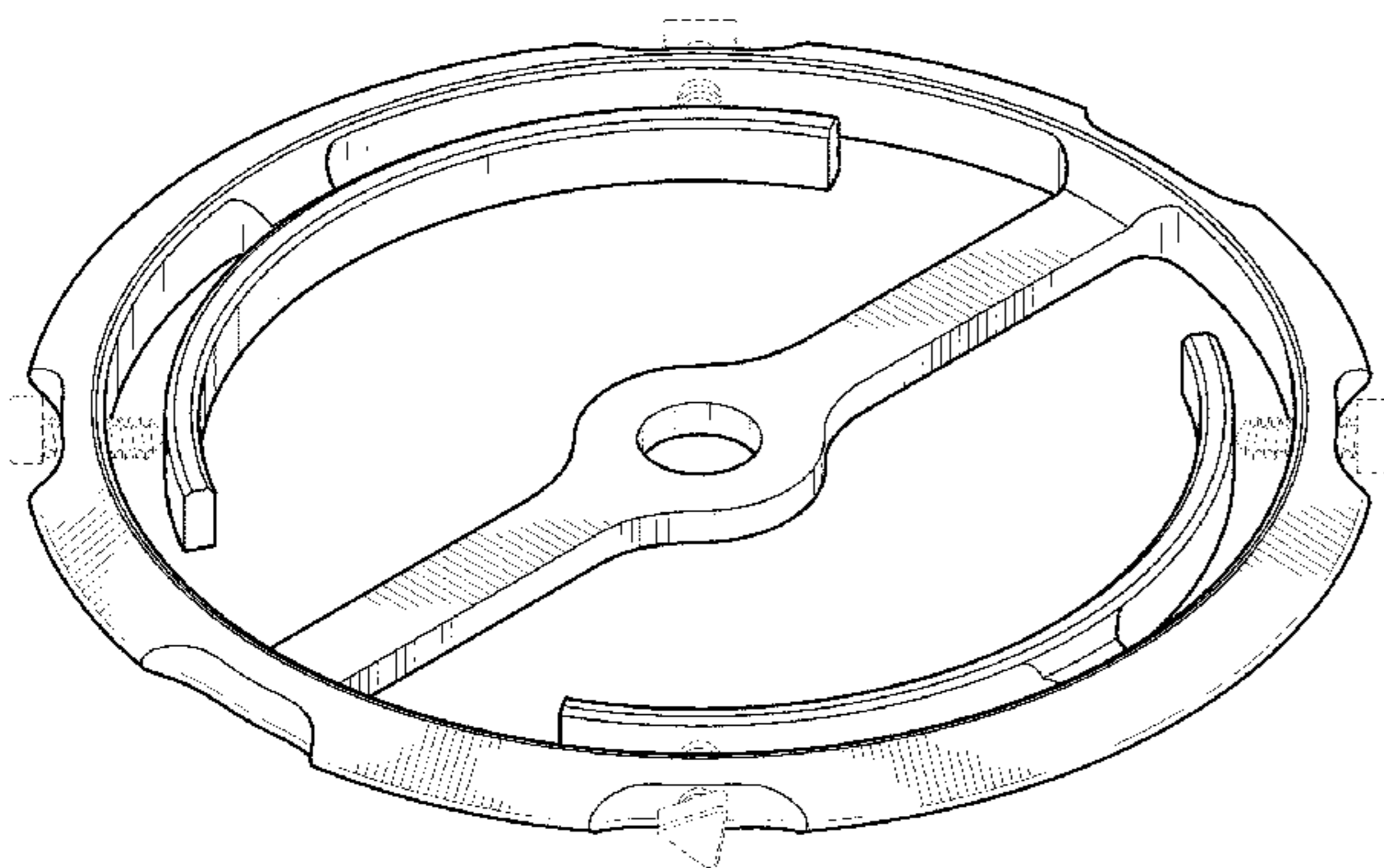
The ornamental design for a watch movement balance part, as shown and described.

DESCRIPTION

FIG. 1 is a top perspective view of a watch movement balance part showing our new design; FIG. 2 is a front view thereof; FIG. 3 is a rear view thereof; FIG. 4 is a left side view thereof; FIG. 5 is a right side view thereof; FIG. 6 is a top view thereof; and, FIG. 7 is a bottom view thereof.

The portions of the watch movement balance part shown in broken lines form no part of the claimed design.

1 Claim, 5 Drawing Sheets



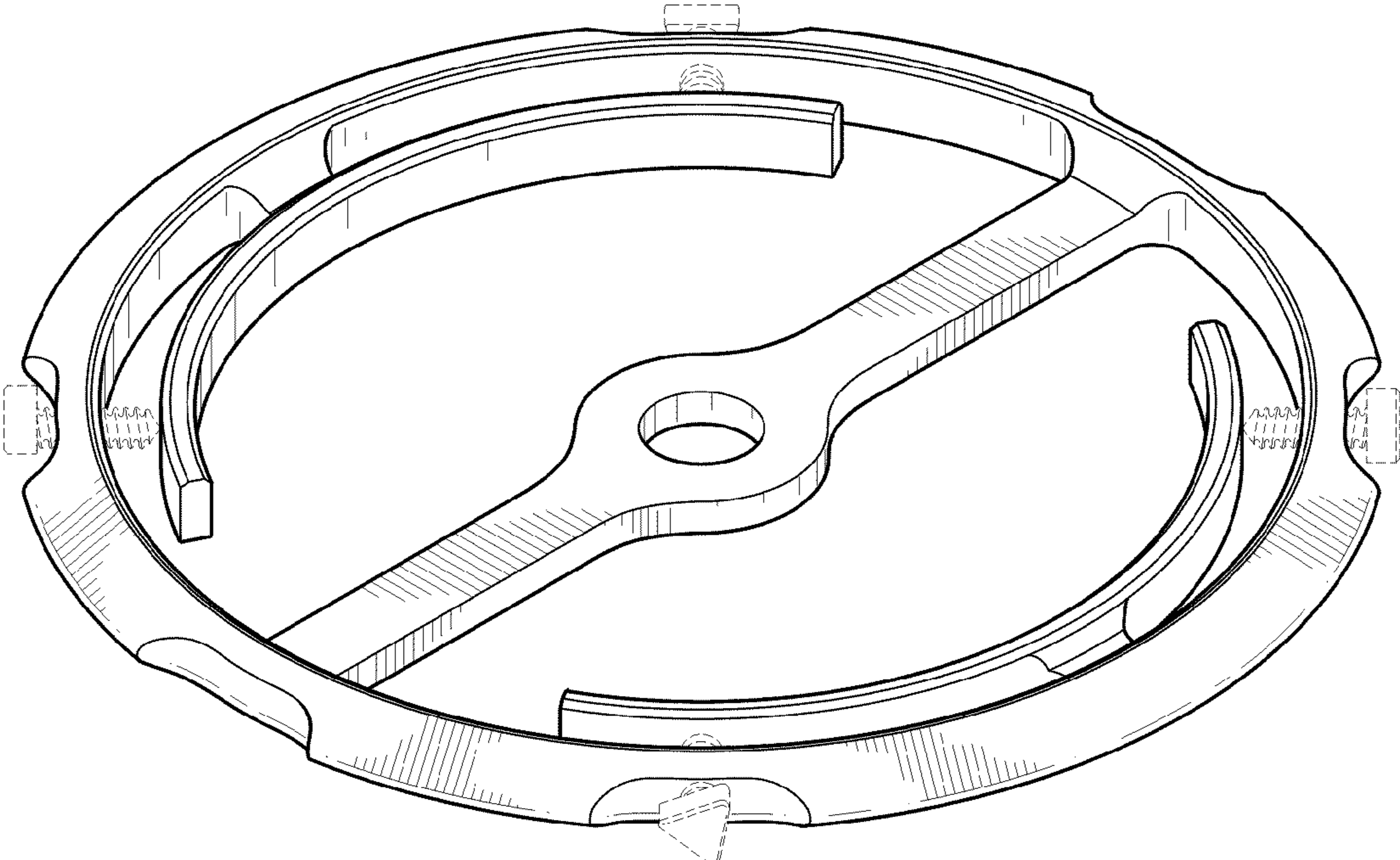


FIG. 1

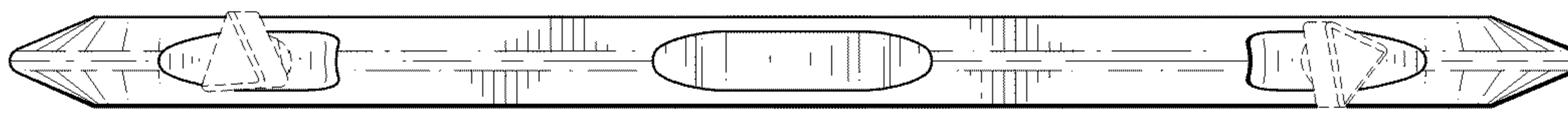


FIG. 2



FIG. 3

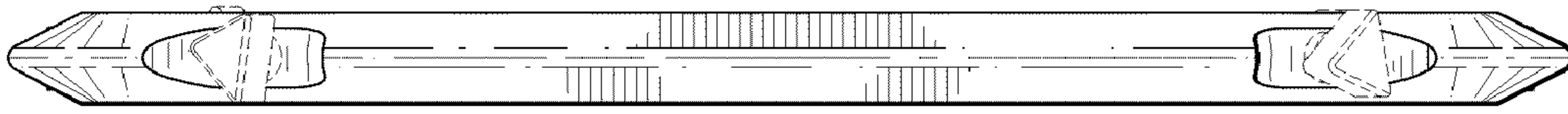


FIG. 4

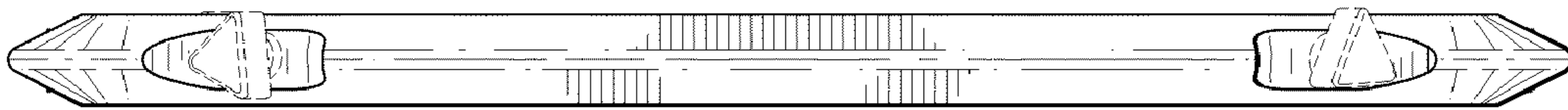


FIG. 5

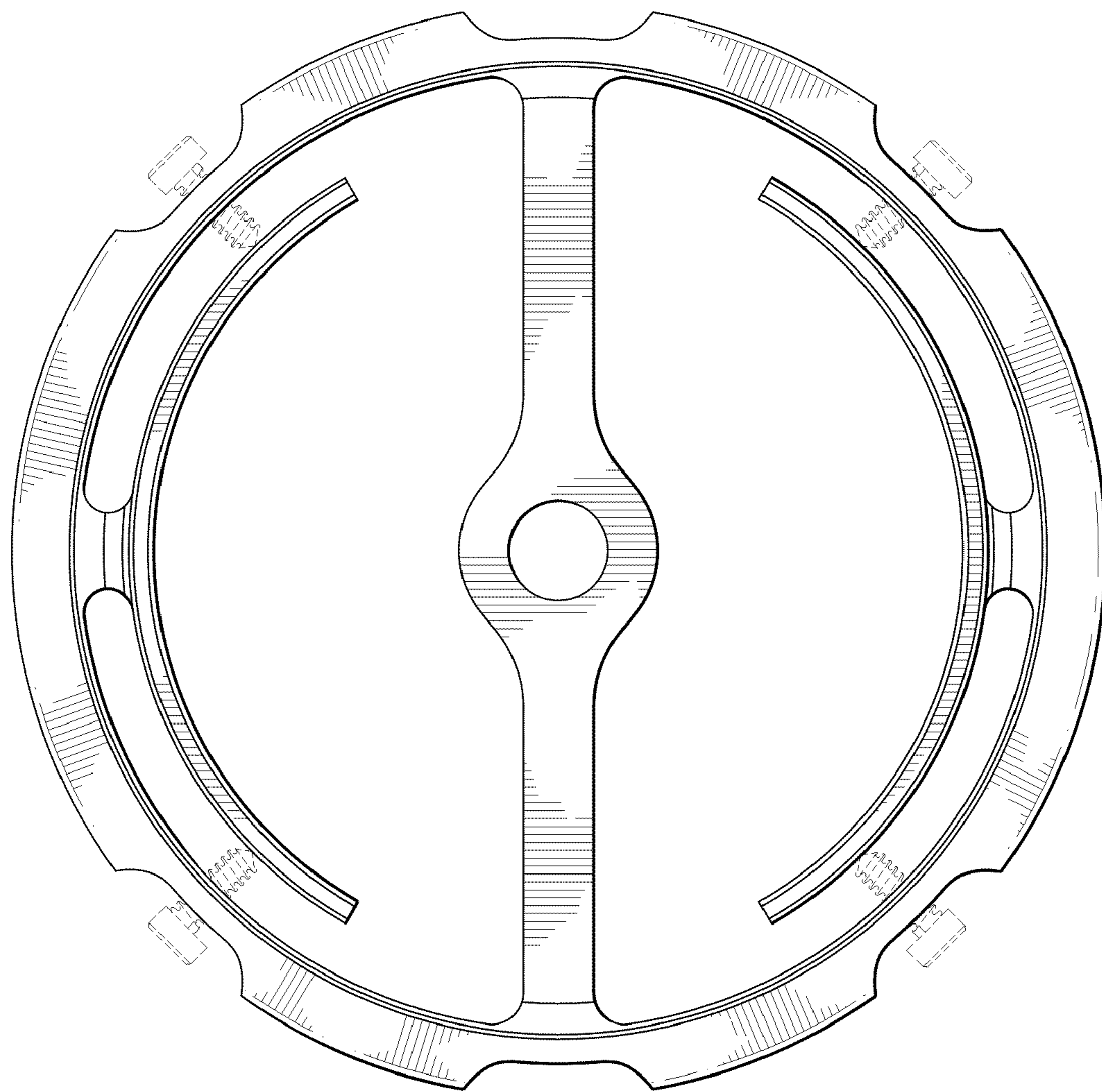


FIG. 6

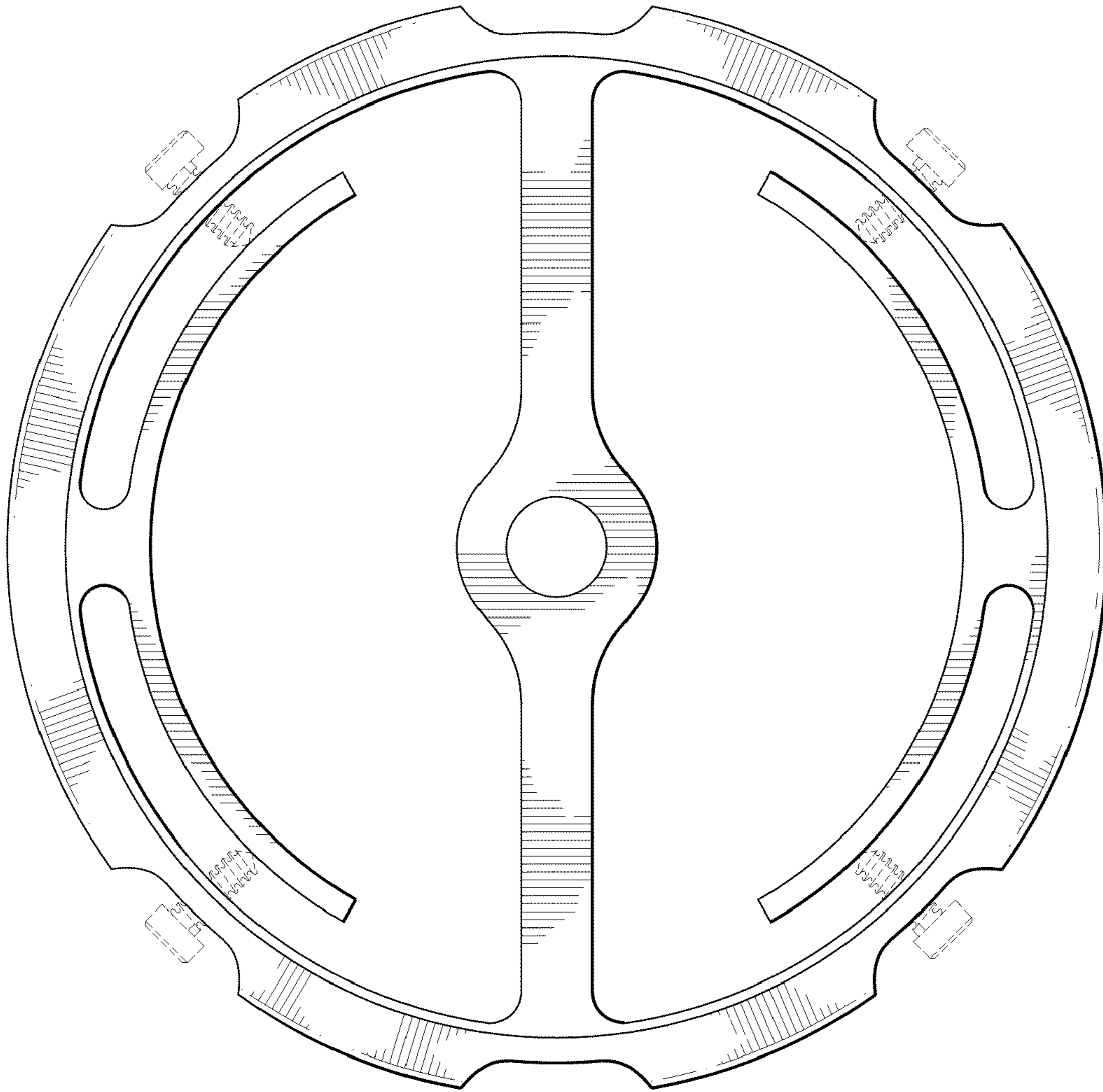


FIG. 7