



US00D650297S

(12) **United States Design Patent**
Duport et al.

(10) **Patent No.:** **US D650,297 S**

(45) **Date of Patent:** **** Dec. 13, 2011**

(54) **WATCH**

(75) Inventors: **Fabrice Duport**, Peseux (CH);
Fernando Soares, Le Landeron (CH)

(73) Assignee: **Tiffany Watch Co. Ltd. (Montres Tiffany SA) (Tiffany Uhren AG)**,
Biel/Bienne (CH)

(**) Term: **14 Years**

(21) Appl. No.: **29/397,095**

(22) Filed: **Jul. 12, 2011**

Related U.S. Application Data

(62) Division of application No. 29/365,636, filed on Jul. 13, 2010, now Pat. No. Des. 646,184.

(30) **Foreign Application Priority Data**

Jan. 13, 2010 (WO) DM/073 110

(51) **LOC (9) Cl.** **10-02**

(52) **U.S. Cl.** **D10/39**

(58) **Field of Classification Search** D10/30-39,
D10/122-132; 368/276, 281, 282, 285, 80,
368/223, 228

See application file for complete search history.

(56) **References Cited**

U.S. PATENT DOCUMENTS

D151,301 S * 10/1948 Tuffo D10/31
2,518,163 A * 8/1950 Megar 63/4

D382,211 S *	8/1997	Bodino	D10/30
D401,864 S *	12/1998	Navera	D10/32
D454,802 S *	3/2002	Hegi	D10/39
D455,970 S *	4/2002	Chia-Jeng	D10/39
D456,726 S *	5/2002	Finazzi	D10/39
D493,374 S *	7/2004	Arlanda	D10/32
D504,332 S *	4/2005	Chodat	D10/39
D506,684 S *	6/2005	Junod	D10/30
D517,928 S *	3/2006	Monachon	D10/32
D525,149 S *	7/2006	Plan	D10/32
D531,063 S *	10/2006	Reginelli	D10/32
D540,699 S *	4/2007	Niculescu	D10/39
D564,906 S *	3/2008	Modolo	D10/32
D565,429 S *	4/2008	Modolo	D10/32
D573,902 S *	7/2008	Modolo	D10/39
D577,613 S *	9/2008	Rochat	D10/38
D600,143 S *	9/2009	Kawashima	D10/32
D614,973 S *	5/2010	Takahashi	D10/32

* cited by examiner

Primary Examiner — Lucy Lieberman

(74) *Attorney, Agent, or Firm* — Collen IP; Donald J. Ranft

(57) **CLAIM**

The ornamental design for a watch, as shown.

DESCRIPTION

FIG. 1 is a front perspective view of a watch showing our new design;

FIG. 2 is a front view thereof;

FIG. 3 is a rear view thereof;

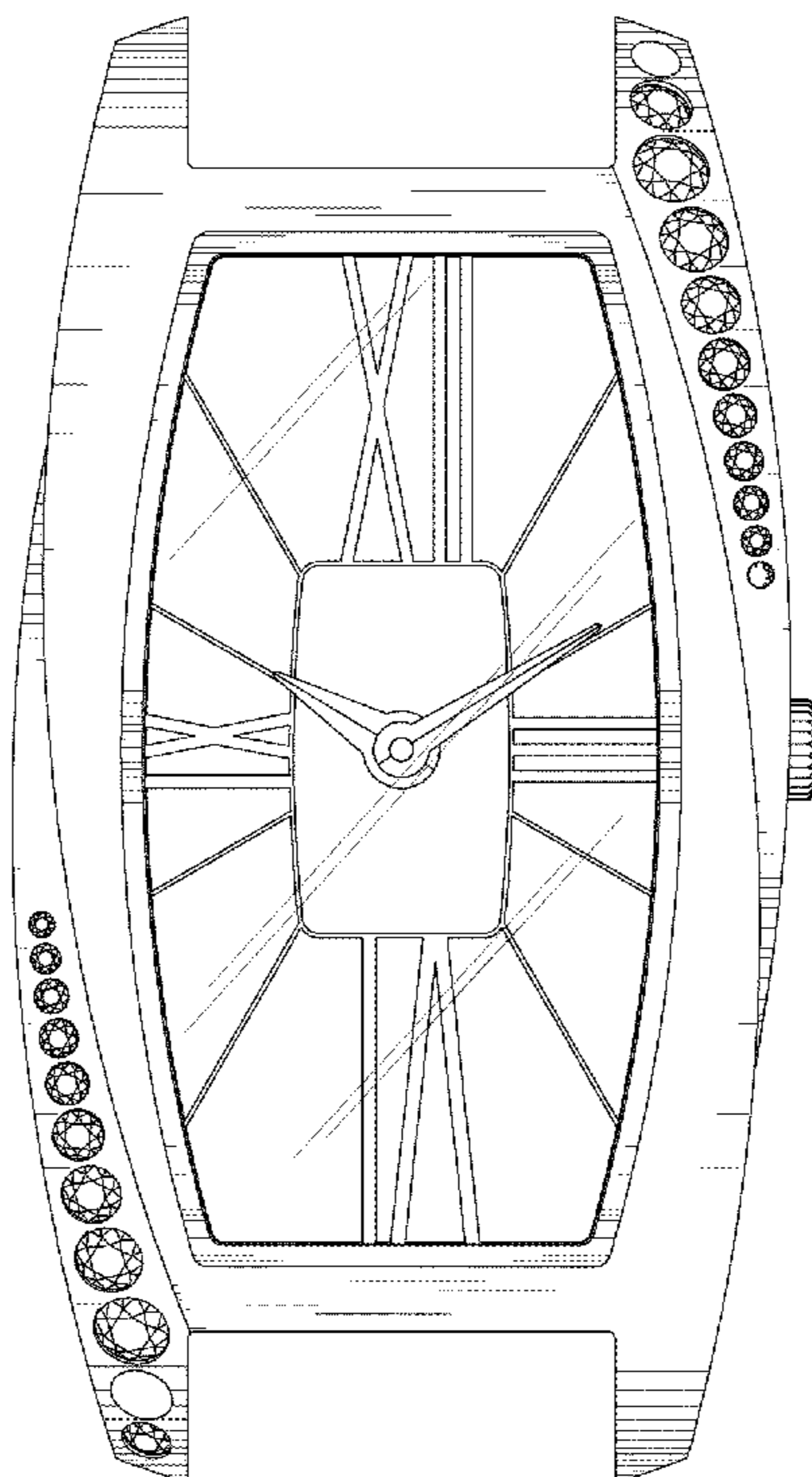
FIG. 4 is a bottom view thereof;

FIG. 5 is a top view thereof;

FIG. 6 is a right side view thereof; and,

FIG. 7 is a left side view thereof.

1 Claim, 5 Drawing Sheets



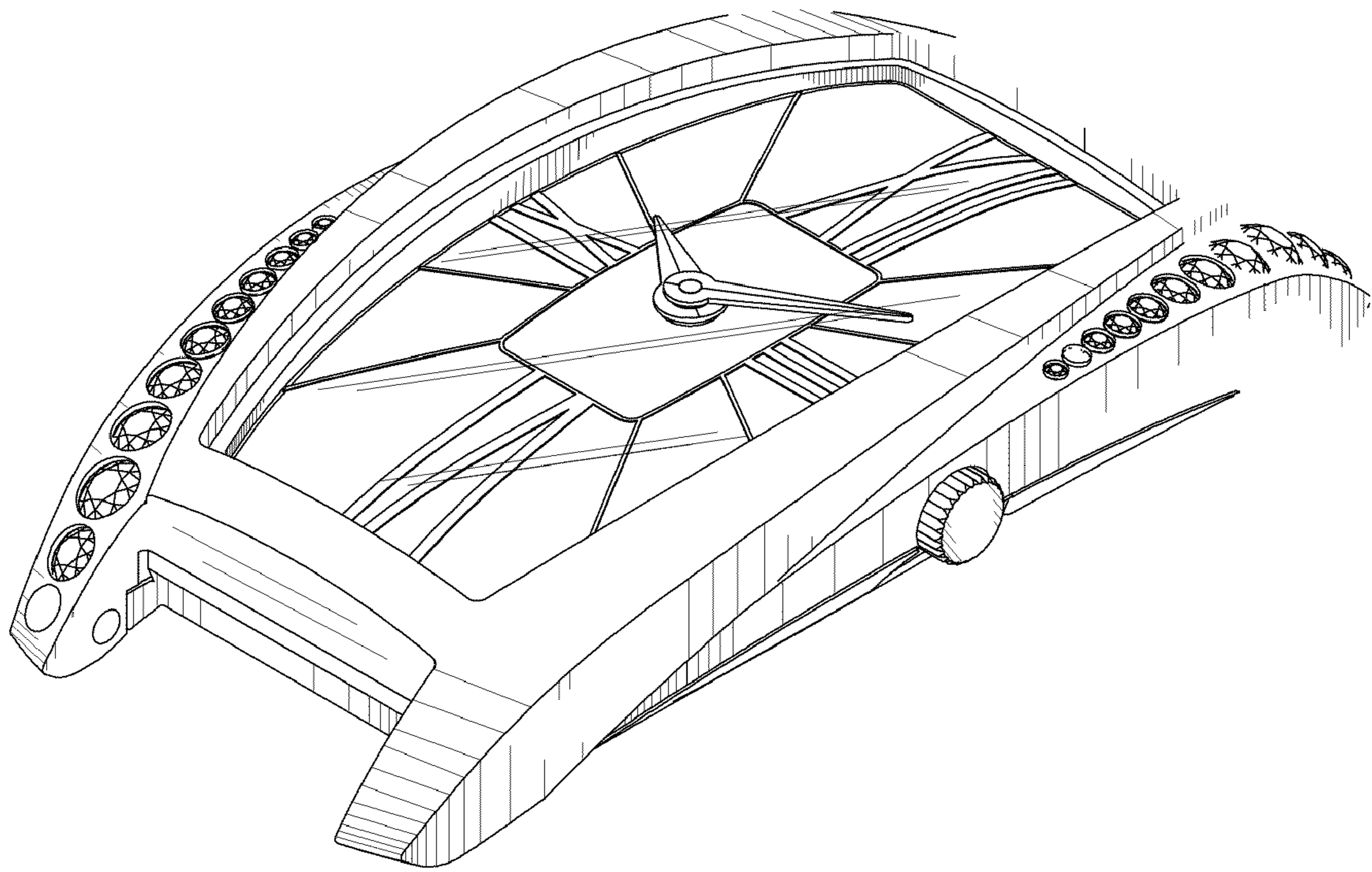


FIGURE 1

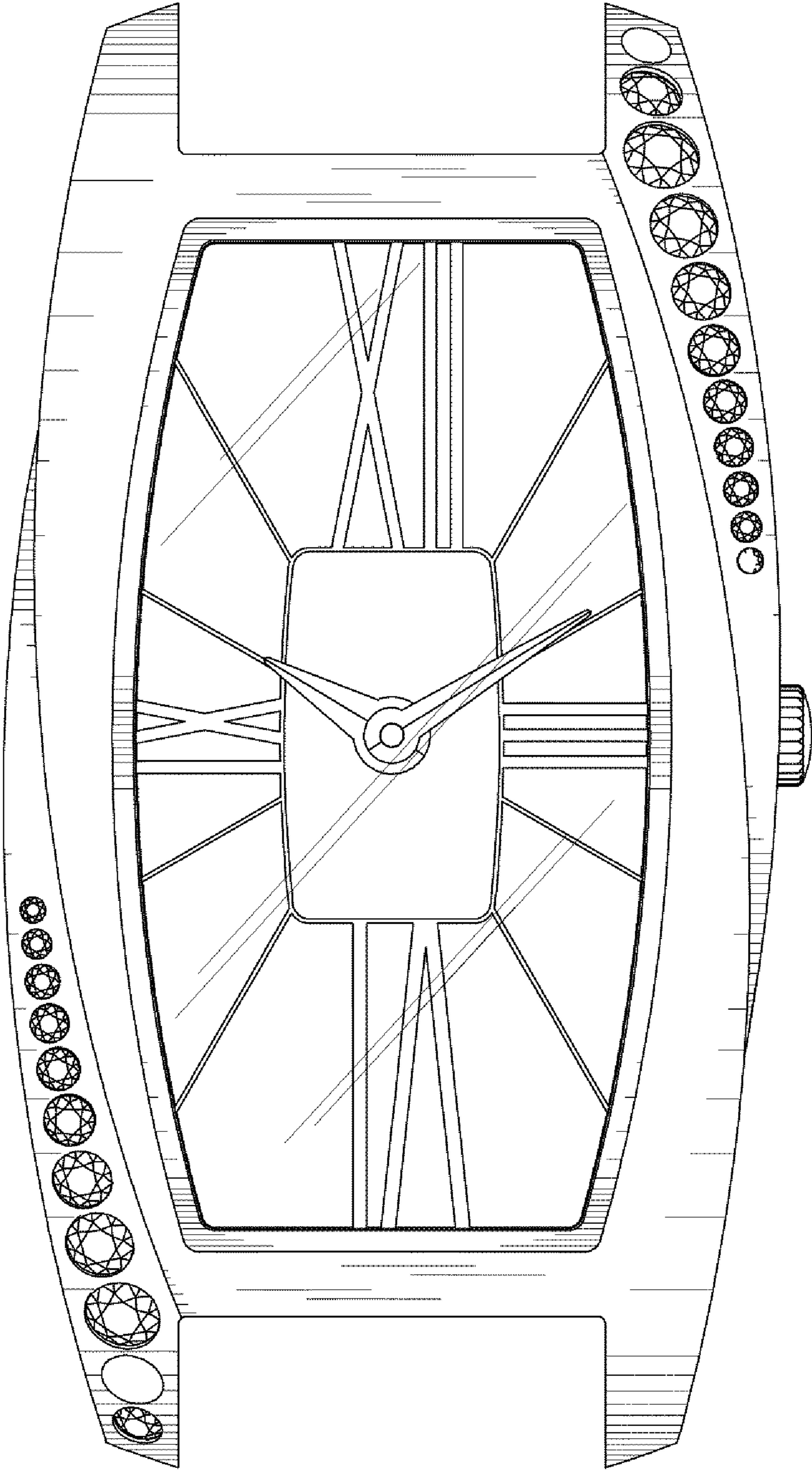


FIGURE 2

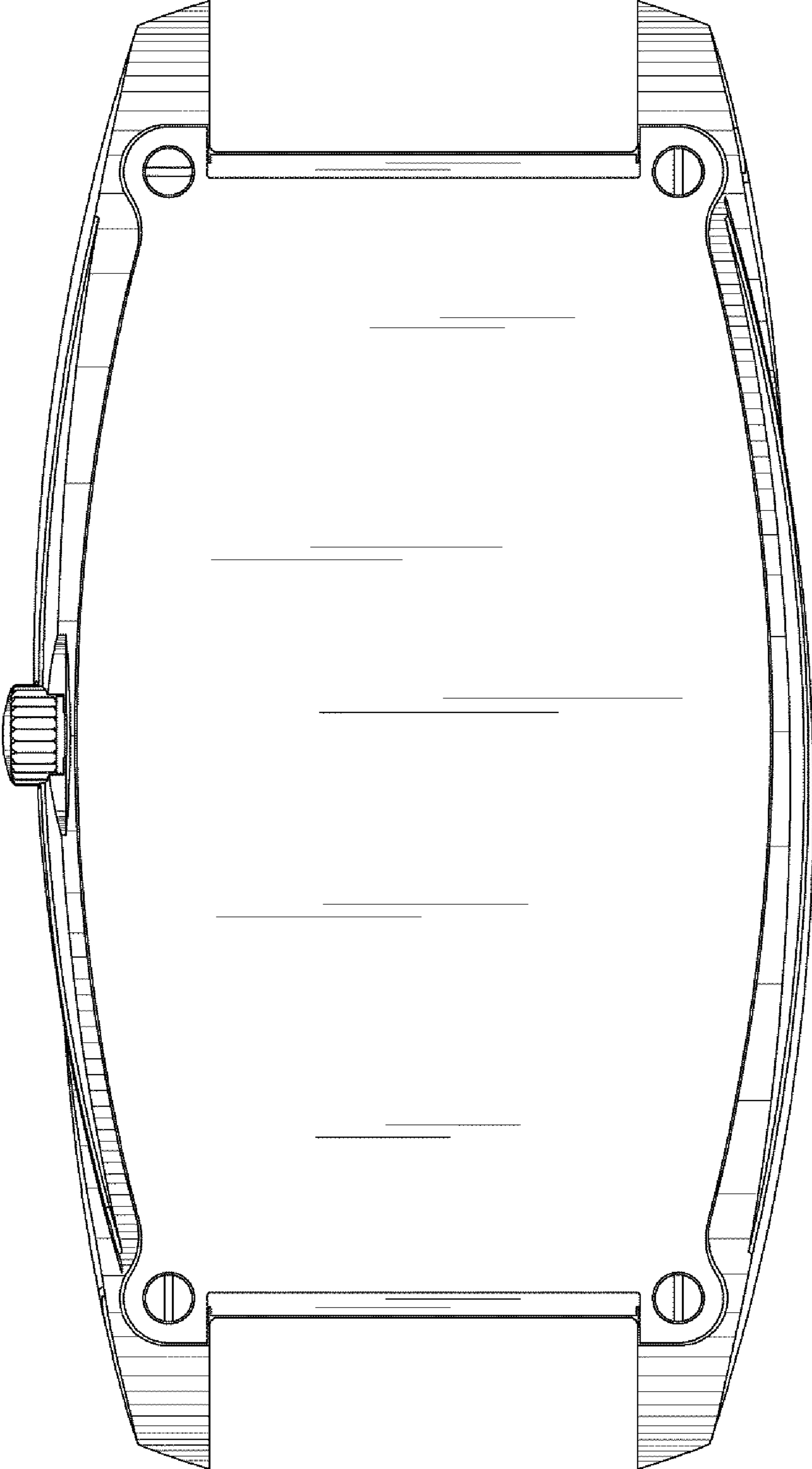


FIGURE 3

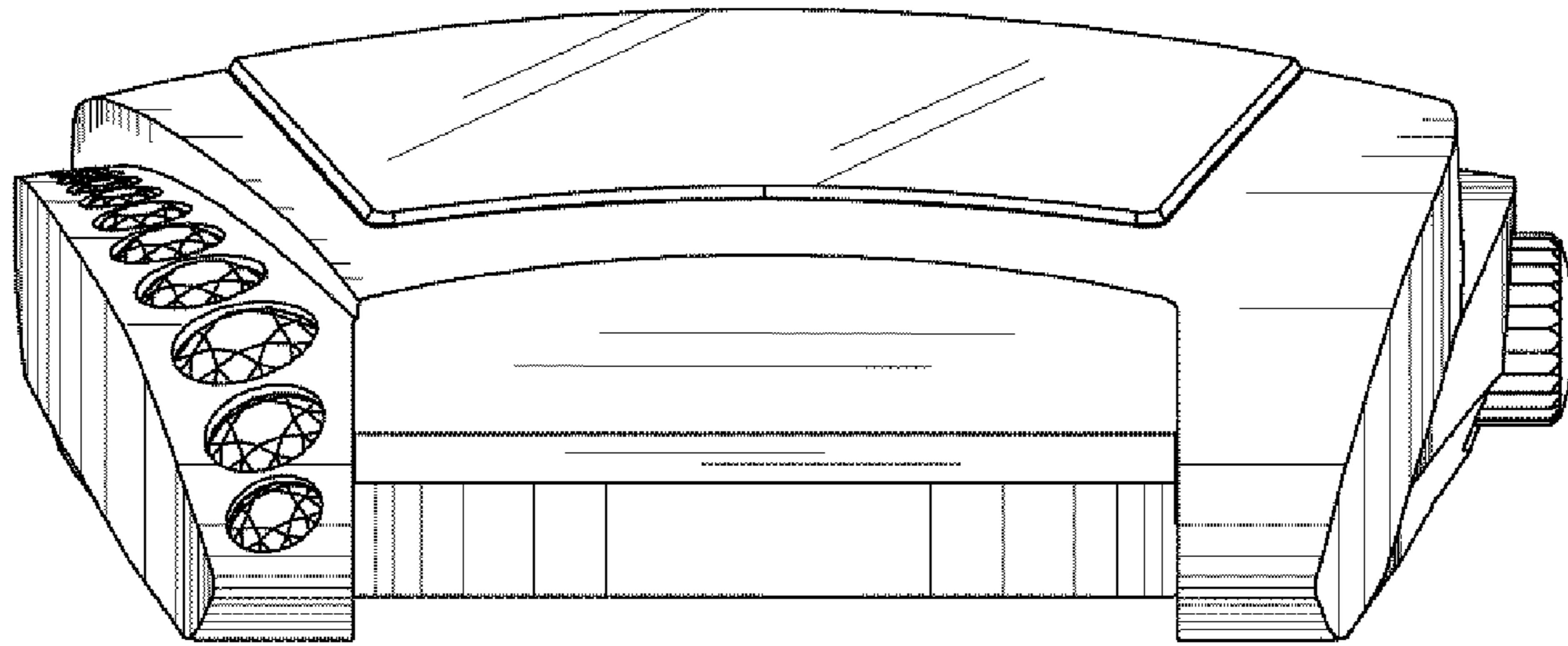


FIGURE 4

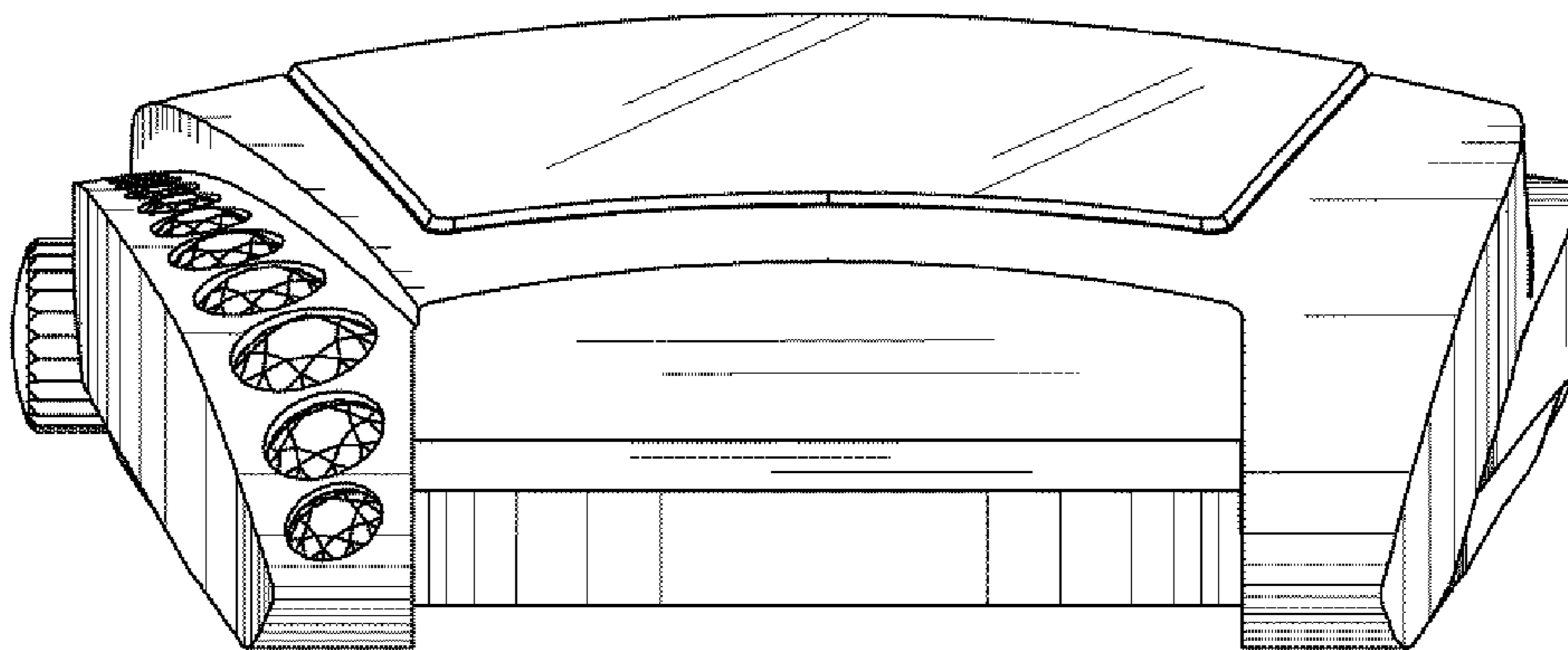


FIGURE 5

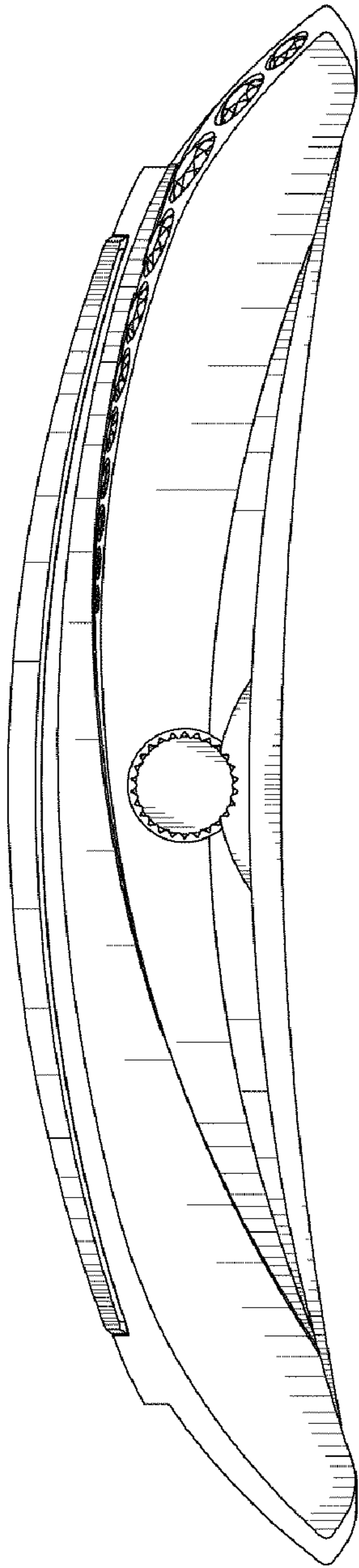


FIGURE 6

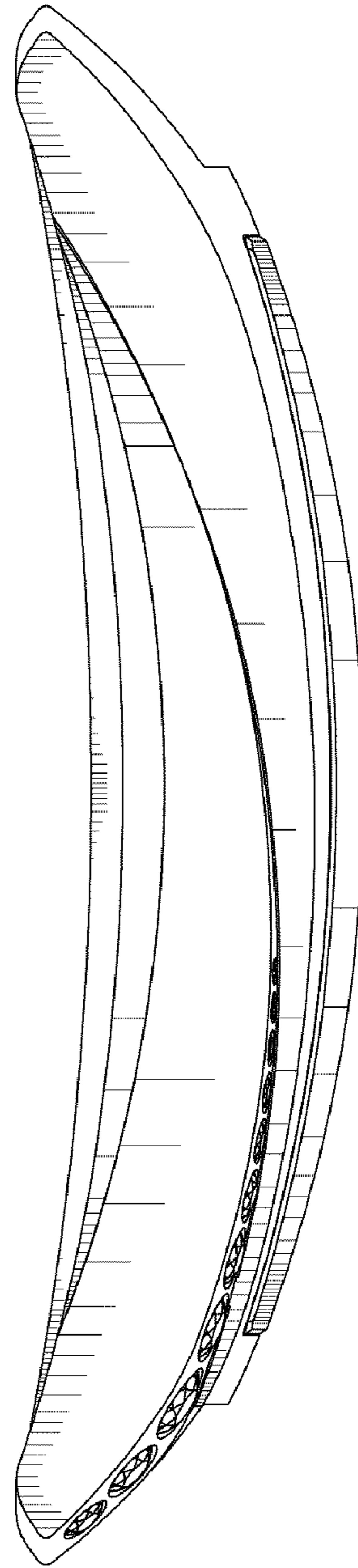


FIGURE 7