



US00D650293S

(12) **United States Design Patent**
Lai et al.

(10) **Patent No.:** **US D650,293 S**

(45) **Date of Patent:** **** *Dec. 13, 2011**

(54) **ENVELOPE FOR LED LIGHT TUBE**

(75) Inventors: **Chih-Ming Lai**, Miao-Li Hsien (TW);
Hong-Bin Yang, Miao-Li Hsien (TW);
Ming-Young Shiao, Miao-Li Hsien (TW)

(73) Assignee: **Foxsemicon Integrated Technology, Inc.**, Chu-Nan, Miao-Li Hsien (TW)

(*) Notice: This patent is subject to a terminal disclaimer.

(**) Term: **14 Years**

(21) Appl. No.: **29/360,630**

(22) Filed: **Apr. 29, 2010**

(51) **LOC (9) Cl.** **09-05**

(52) **U.S. Cl.** **D9/711**

(58) **Field of Classification Search** D9/414,
D9/418, 424, 430, 432, 499, 516, 519, 549,
D9/702, 711, 713-714; 362/154, 202, 217.1;
229/87.01, 87.05, 89, 68.1, 71, 78.1, 78.2,
229/87.02, 87.12, 90, 91, 93, 4.5, 5.5, 67,
229/117.18, 117.22, 117.26, 117.27, 117.28,
229/120.11; 406/106; 206/223, 499, 139,
206/1.7, 321, 320, 401, 407, 418-420
See application file for complete search history.

(56) **References Cited**

U.S. PATENT DOCUMENTS

1,337,592 A * 4/1920 Clenny et al. 217/29
2,319,966 A * 5/1943 Wood et al. 206/587

3,941,304 A * 3/1976 Barbieri et al. 206/418
3,973,675 A * 8/1976 Brand et al. 206/418
4,859,423 A * 8/1989 Perlman 422/102
4,874,094 A * 10/1989 Blanke, Jr. 206/522
D315,095 S * 3/1991 Wright D9/503
5,284,241 A * 2/1994 Winton et al. 206/303
5,358,132 A * 10/1994 Bennett 220/253
D356,251 S * 3/1995 Davis D9/705
5,507,387 A * 4/1996 Fiebig et al. 206/418
6,540,381 B1 * 4/2003 Douglass, II 362/311.09
D491,066 S * 6/2004 Le Goff D9/500
6,974,239 B2 * 12/2005 Currie et al. 362/558
D615,875 S * 5/2010 Schiffman et al. D9/711

* cited by examiner

Primary Examiner — Caron Veynar

Assistant Examiner — Abraham Bahta

(74) *Attorney, Agent, or Firm* — Altis Law Group, Inc.

(57) **CLAIM**

The ornamental design for an envelope for LED light tube, as shown and described.

DESCRIPTION

FIG. 1 is a perspective view of an envelope for LED light tube showing our new design.

FIG. 2 is a front elevational view thereof.

FIG. 3 is a rear elevational view thereof.

FIG. 4 is a left-side, elevational view thereof.

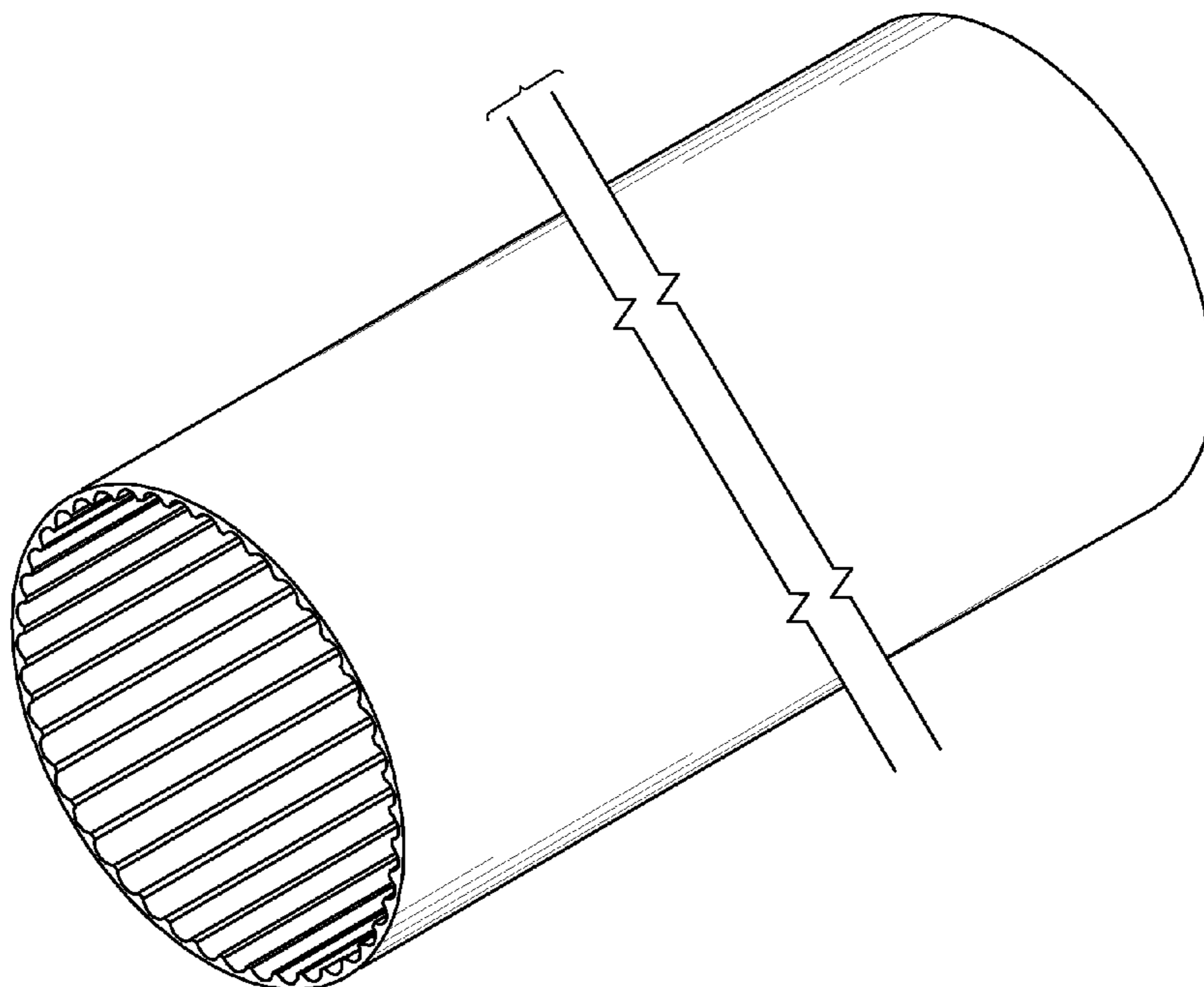
FIG. 5 is a right-side, elevational view thereof.

FIG. 6 is a top plan view thereof; and,

FIG. 7 is a bottom plan view thereof.

In FIGS. 1, 4-7 the broken away portions represent intermediate length.

1 Claim, 7 Drawing Sheets



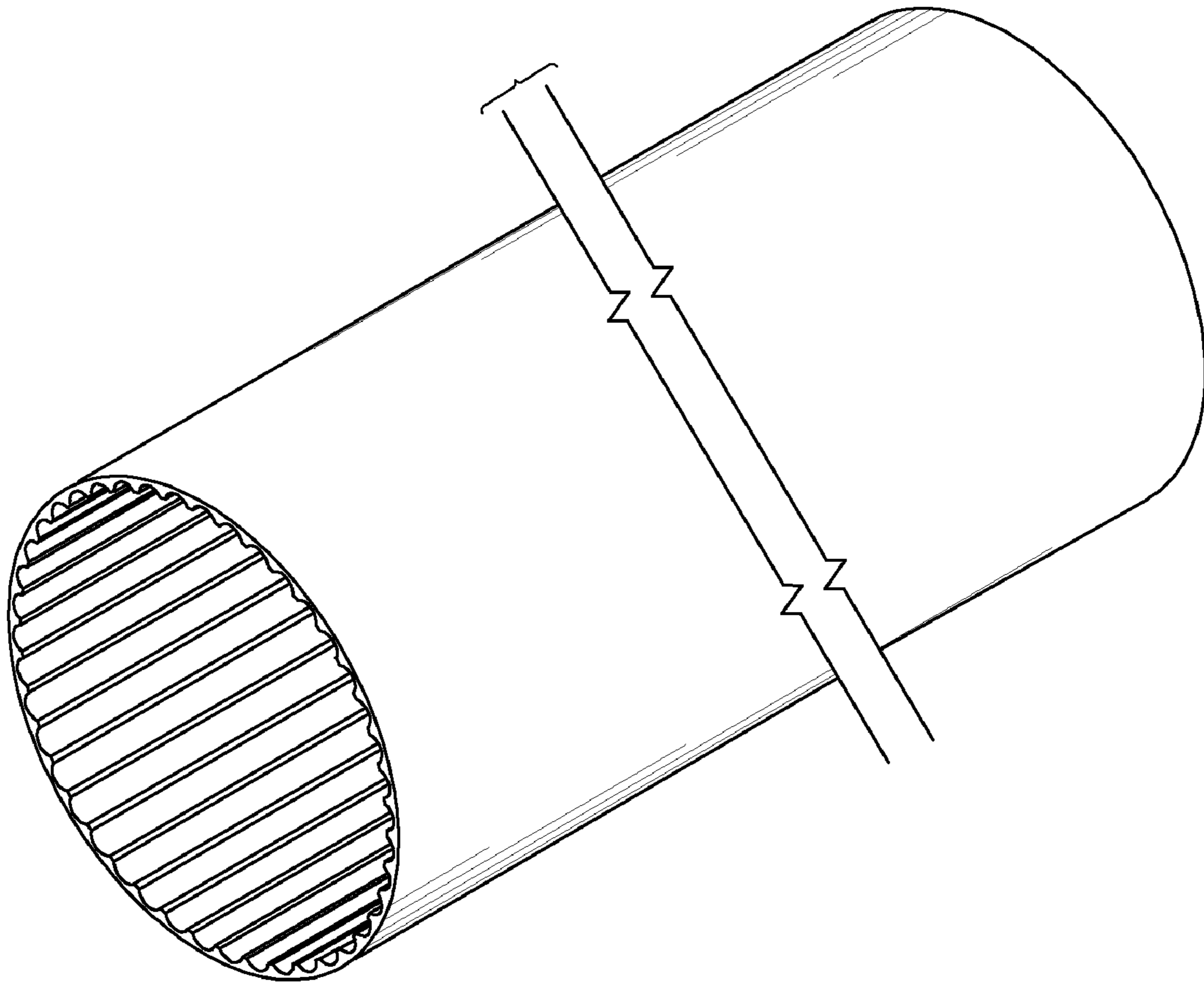


FIG. 1

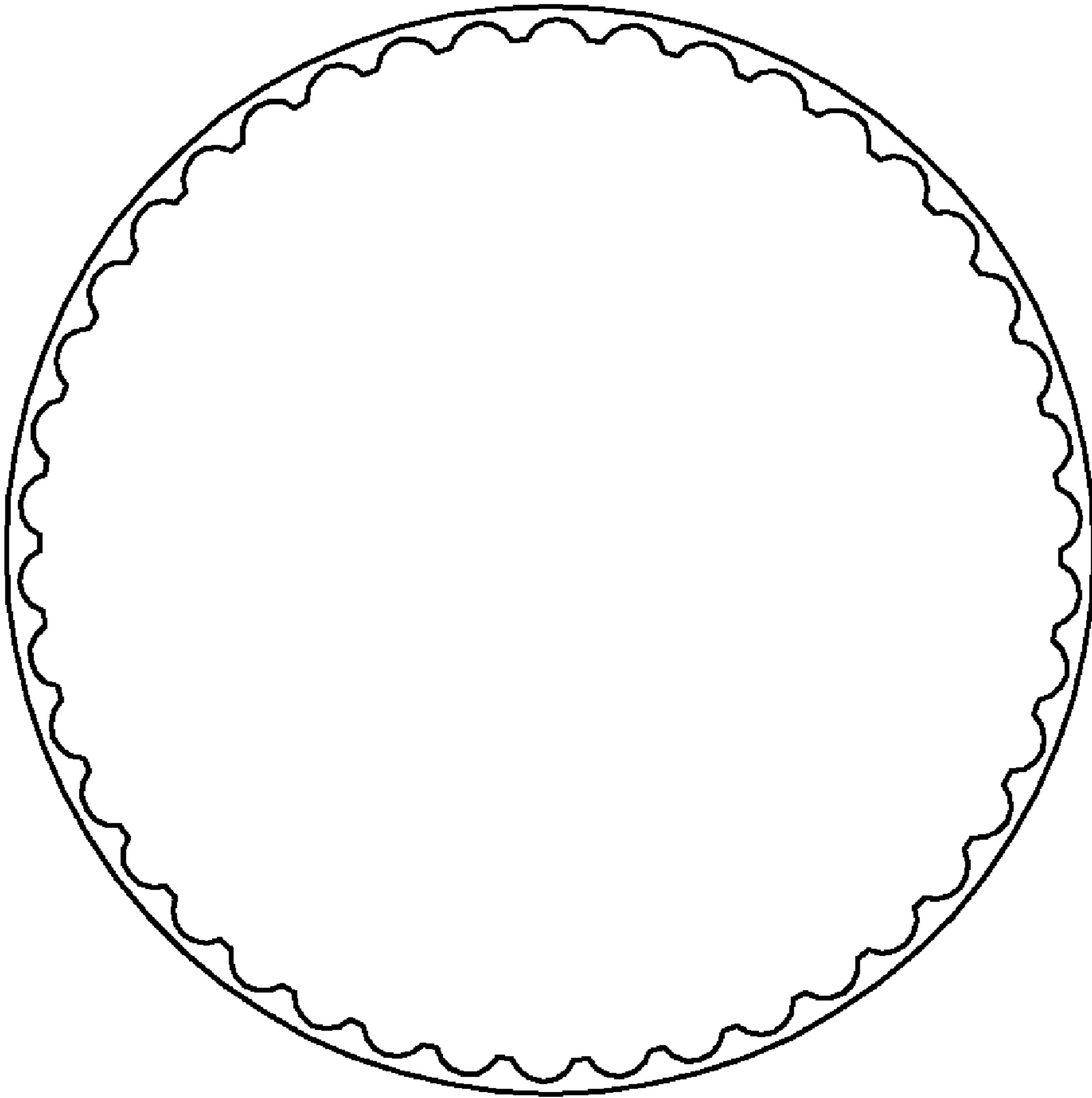


FIG. 2

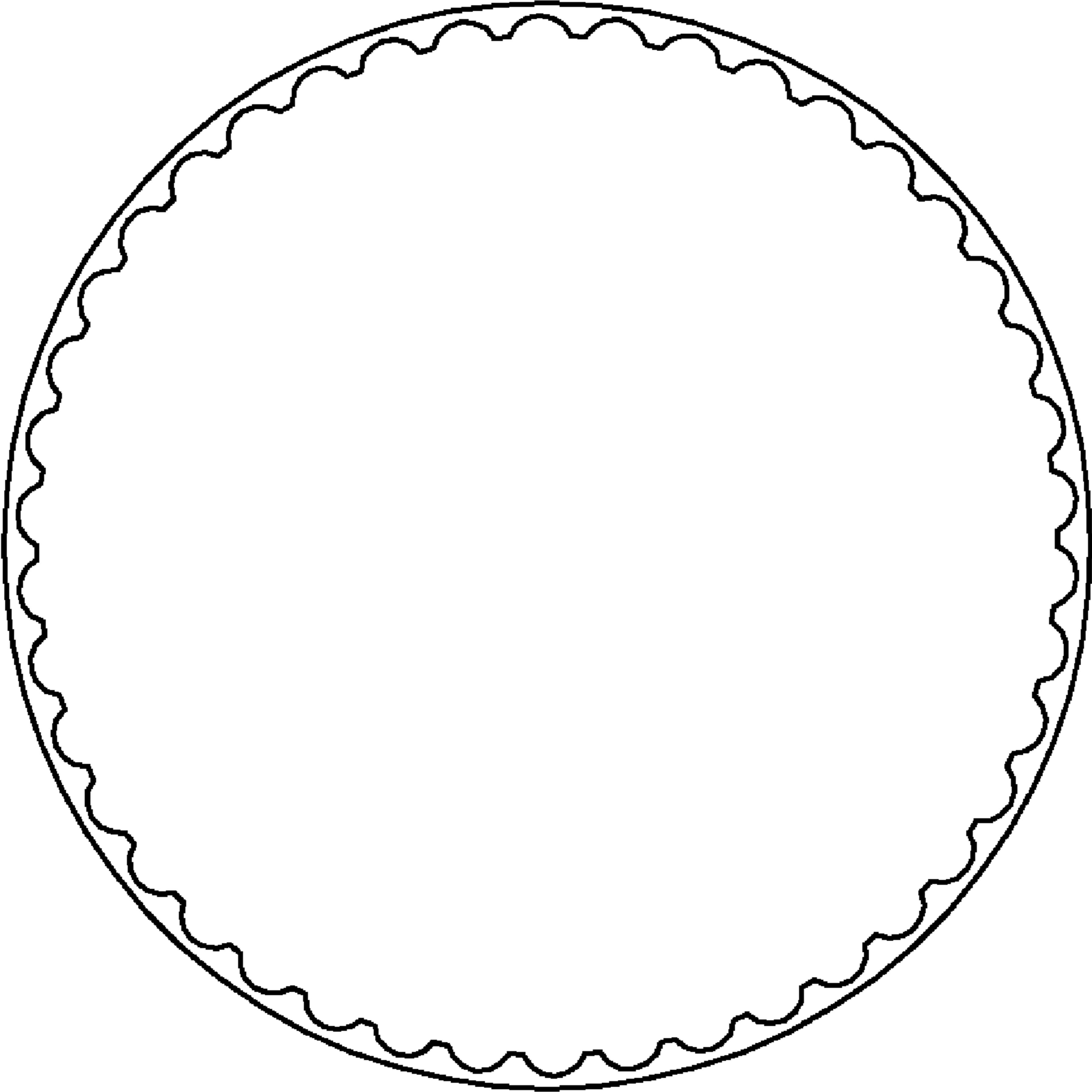


FIG. 3

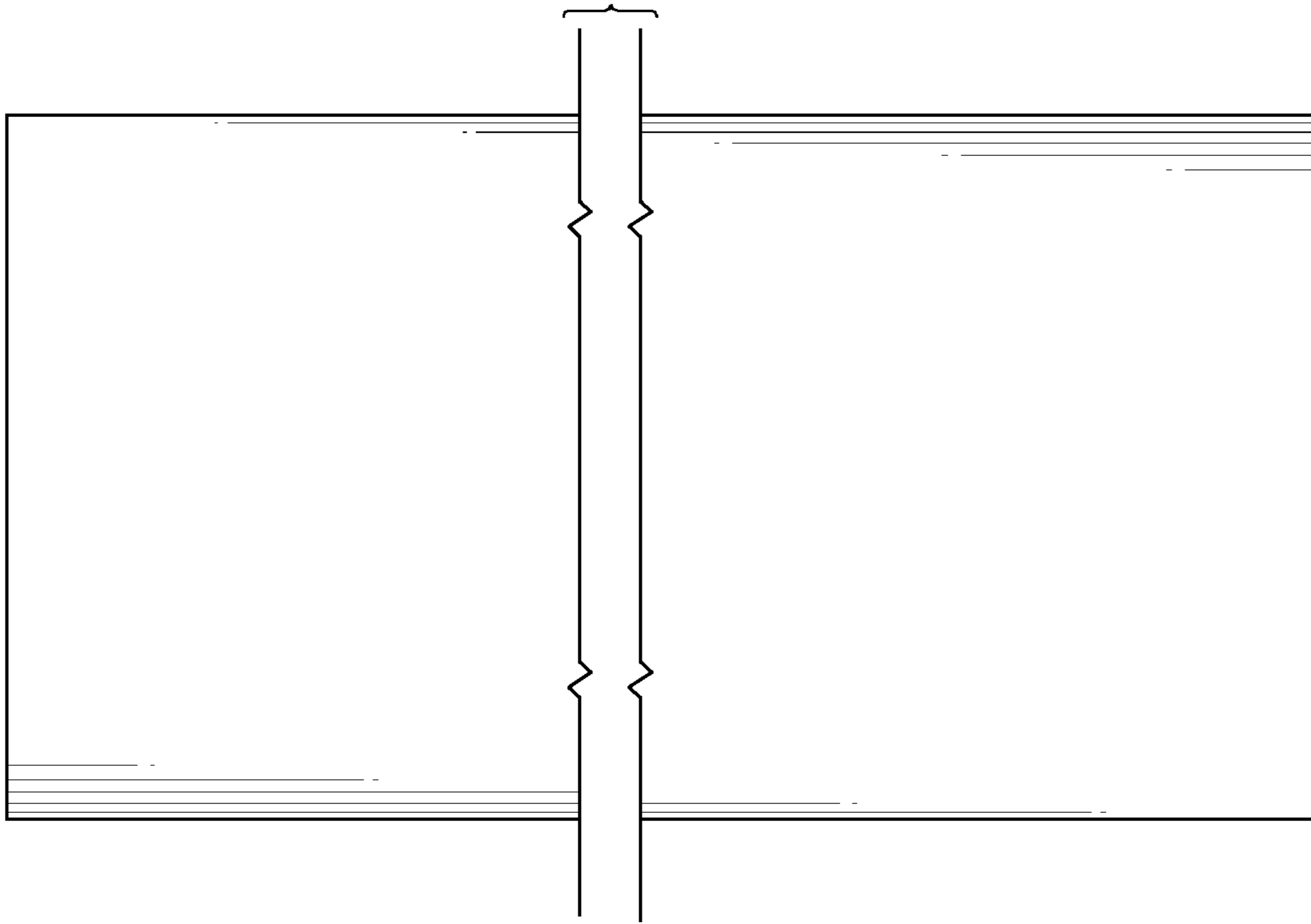


FIG. 4

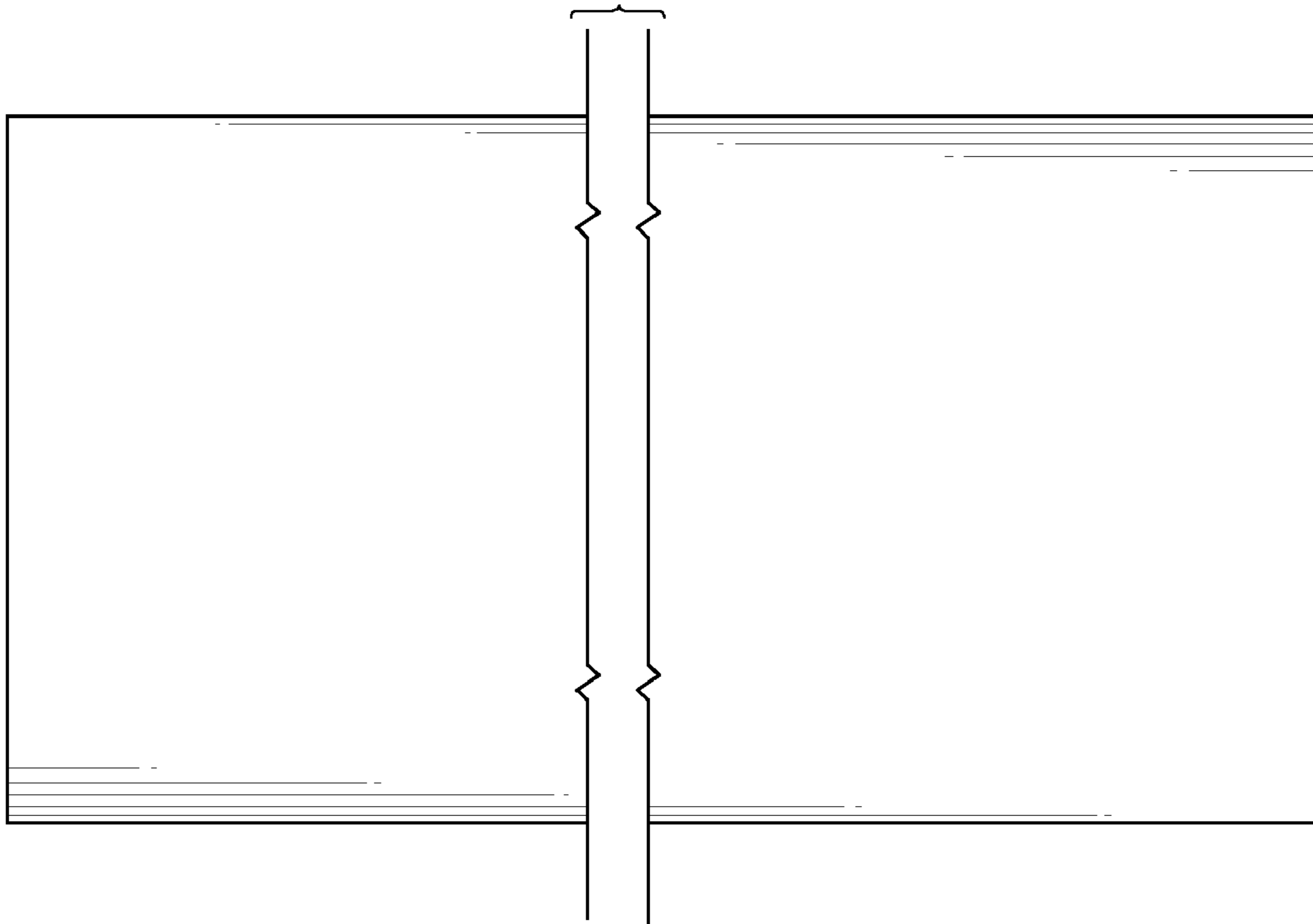


FIG. 5

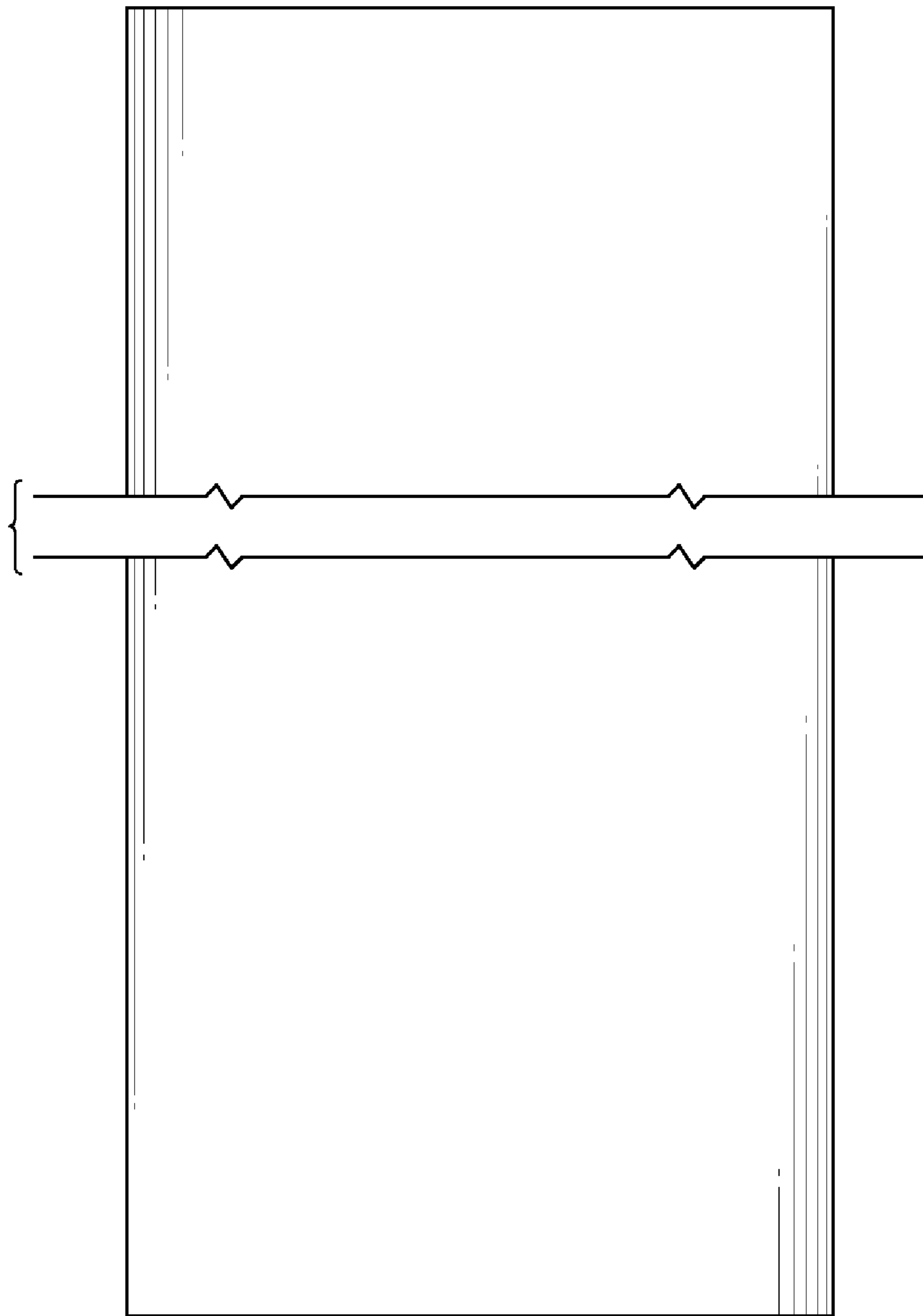


FIG. 6

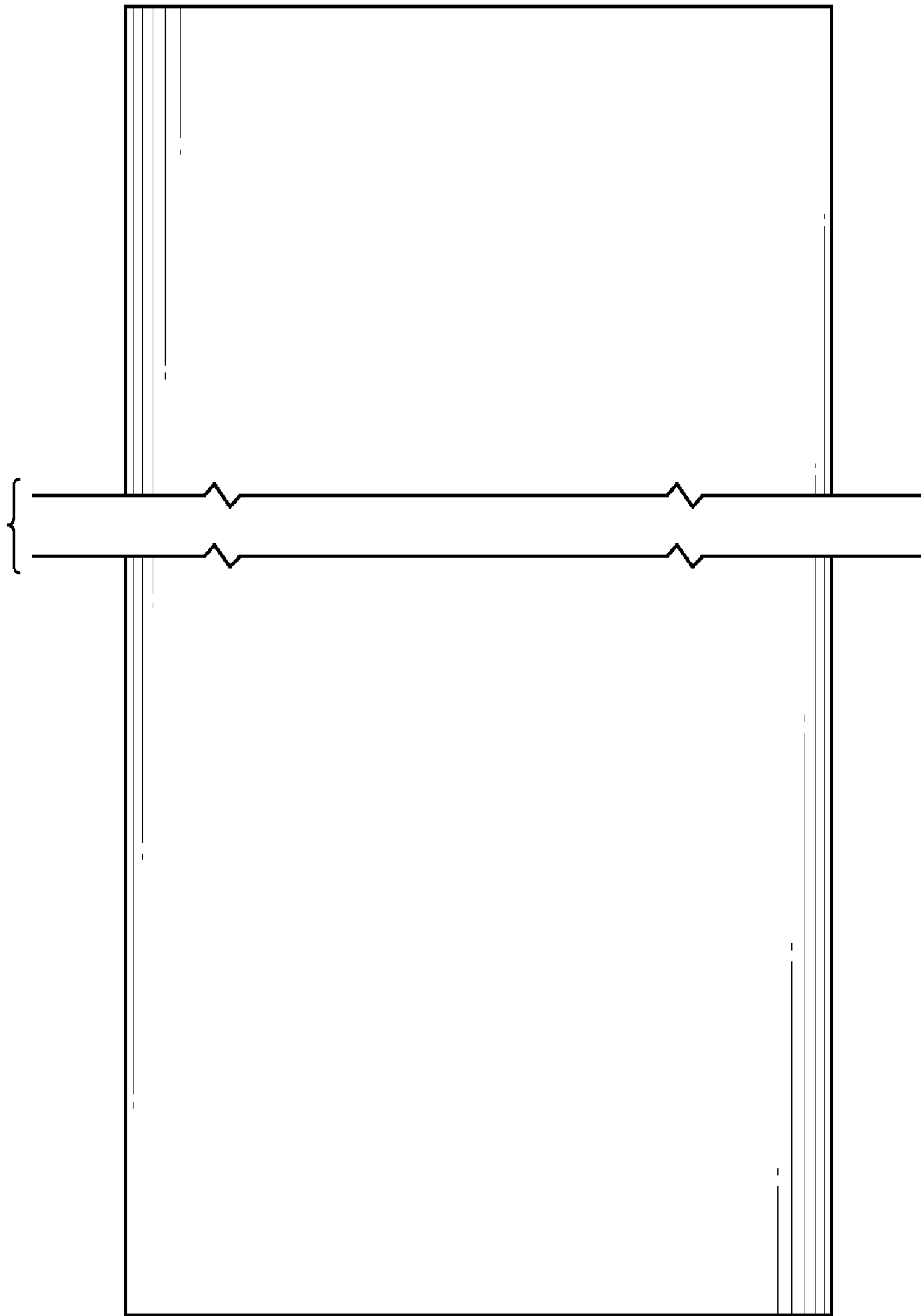


FIG. 7