



US00D650290S

(12) **United States Design Patent**
Davis et al.

(10) **Patent No.:** **US D650,290 S**
(45) **Date of Patent:** **** Dec. 13, 2011**

(54) **DISPENSER HOUSING**

(75) Inventors: **Brian T. Davis**, Burlington, WI (US);
Donald J. Schumacher, Racine, WI
(US); **Gregory E. Healey**, Nyack, NY
(US); **Bradley H. Price**, Brooklyn, NY
(US); **Eric Ping Pang Chan**, New York,
NY (US); **Shigeru G. Natsume**,
Brooklyn, NY (US)

(73) Assignee: **S. C. Johnson & Son, Inc.**, Racine, WI
(US)

(**) Term: **14 Years**

(21) Appl. No.: **29/398,751**

(22) Filed: **Aug. 4, 2011**

Related U.S. Application Data

(62) Division of application No. 29/364,651, filed on Jun.
25, 2010, now Pat. No. Des. 644,926.

(51) **LOC (9) Cl.** **09-01**

(52) **U.S. Cl.** **D9/689**

(58) **Field of Classification Search** D9/682-694,
D9/516-575, 435-454; D23/361, 366, 368;
222/129, 135, 153.01, 153.03, 153.04, 153.09,
222/153.11-153.14, 182, 631, 635, 209,
222/211-213, 215, 321.7-321.9, 372, 373,
222/378, 379, 383.1, 384-386, 398, 400.7,
222/400.8, 401, 402.1-402.25; 215/379-384;
220/669-675, 915

See application file for complete search history.

(56) **References Cited**

U.S. PATENT DOCUMENTS

D183,491 S 9/1958 Lerner
D236,880 S * 9/1975 Sway D9/525
D260,605 S 9/1981 Saunders
D261,105 S 10/1981 Schwartz

D273,766 S 5/1984 Lampe
D310,480 S 9/1990 Geiger
D315,292 S * 3/1991 Seager D9/688
D413,514 S 9/1999 Pericard et al.
D437,548 S * 2/2001 Desgrippes et al. D9/688
D473,460 S * 4/2003 Whitworth D9/716
D506,134 S 6/2005 Foster et al.
D506,930 S * 7/2005 Cauwood et al. D9/522
D536,969 S 2/2007 Geier
D555,000 S 11/2007 Bunce et al.
D569,182 S 5/2008 Homma
D575,153 S 8/2008 Caroen et al.
D580,274 S 11/2008 Abel
D596,939 S 7/2009 Moretti
7,611,032 B2 11/2009 Brunerie et al.
7,699,190 B2 4/2010 Hygema
7,789,278 B2 9/2010 Ruiz de Gopegui et al.
2004/0011885 A1 1/2004 McLisky

FOREIGN PATENT DOCUMENTS

DE 49904518-0001 11/1999

(Continued)

Primary Examiner — Catherine Tuttle

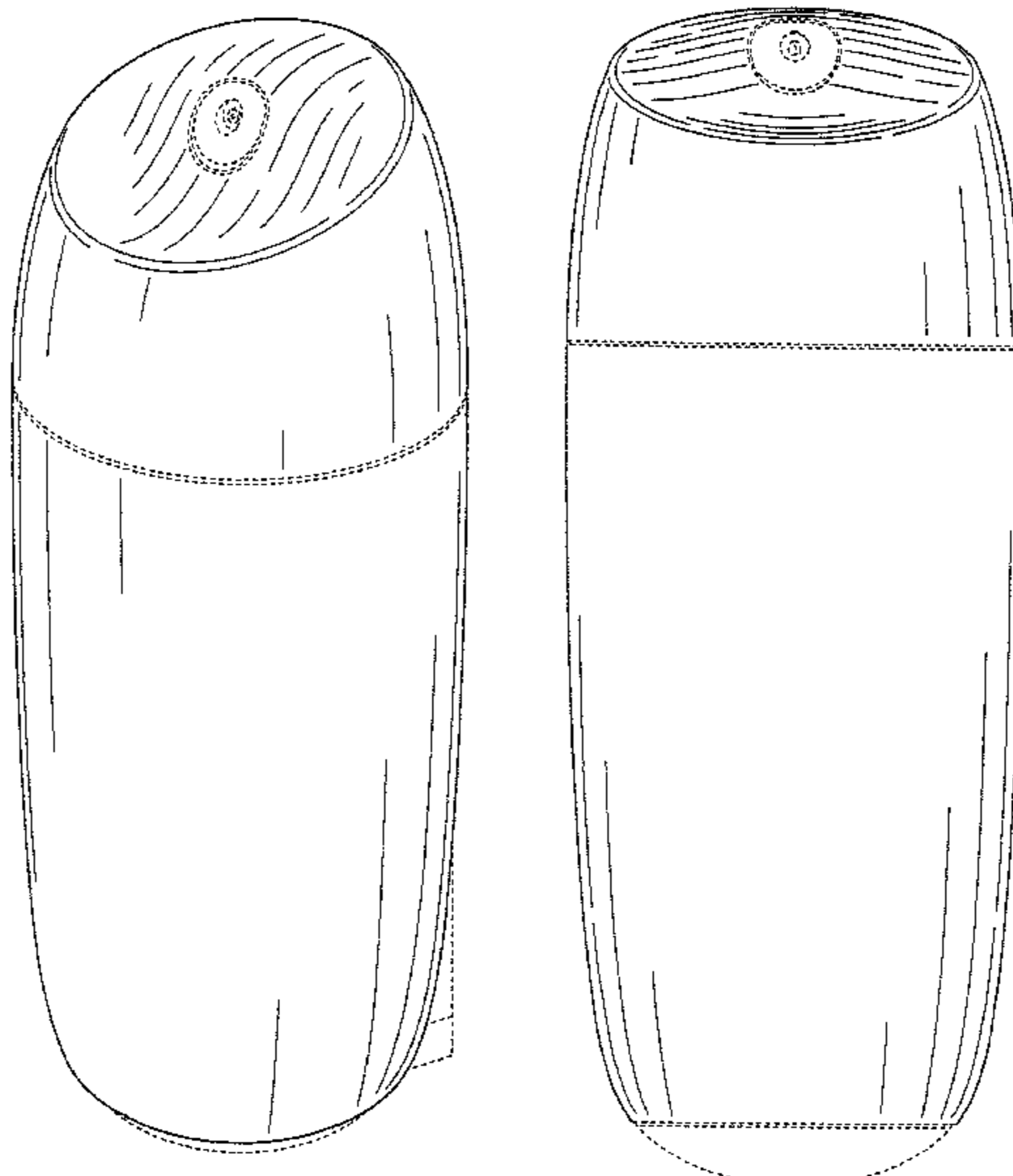
(57) **CLAIM**

The ornamental design for a dispenser housing, as shown and described.

DESCRIPTION

FIG. 1 is an isometric view showing our new design for a dispenser housing from the front, top and left side; FIG. 2 is a rear elevation view thereof; FIG. 3 is a front elevation view thereof; FIG. 4 is a right side elevation view thereof; FIG. 5 is a left side elevation view thereof; FIG. 6 is a top plan view thereof; and, FIG. 7 is a bottom plan view thereof. The broken lines are included for the purpose of illustrating portions of the dispenser housing that form no part of the claimed design.

1 Claim, 6 Drawing Sheets



US D650,290 S

Page 2

FOREIGN PATENT DOCUMENTS					
			EM	000536214-0002	10/2006
			EM	000792627-0005	2/2008
			EM	001144661-0001	7/2009
DE	49907982-0001	12/1999	EM	000716758-0001	11/2009
DE	40210640-0001	8/2003	EM	000716758-0002	11/2009
DE	40210640-0002	8/2003	GB	2086810	4/2000
DE	40210640-0003	8/2003	GB	2101090	7/2002
DE	40210640-0004	8/2003	GB	3002247	7/2002
DE	40210640-0005	8/2003	GB	3002208	1/2003
DE	40407237-0001	7/2005	GB	3009543	4/2003
DE	40501804-0001	9/2005	GB	3009649	10/2003
DE	40603540-0001	12/2006	GB	3015324	12/2003
DE	40603540-0002	12/2006	GB	3024014	10/2006
DE	40603540-0003	12/2006	KR	300445301.0000	* 4/2007
DE	40603540-0004	12/2006	KR	300460594.0000	* 8/2007
DE	40603540-0005	12/2006	WO	DM/047664	7/1999
DE	40603540-0006	12/2006	WO	DM/051253	5/2000
EM	000118393-0007	4/2004	WO	DM/066461	4/2005
EM	000263421-0001	2/2005	WO	DM/070783	11/2008
EM	000312301-0001	5/2005			
EM	000312301-0002	5/2005			
EM	00084397-0001	1/2006			
EM	000560941-0001	9/2006			

* cited by examiner

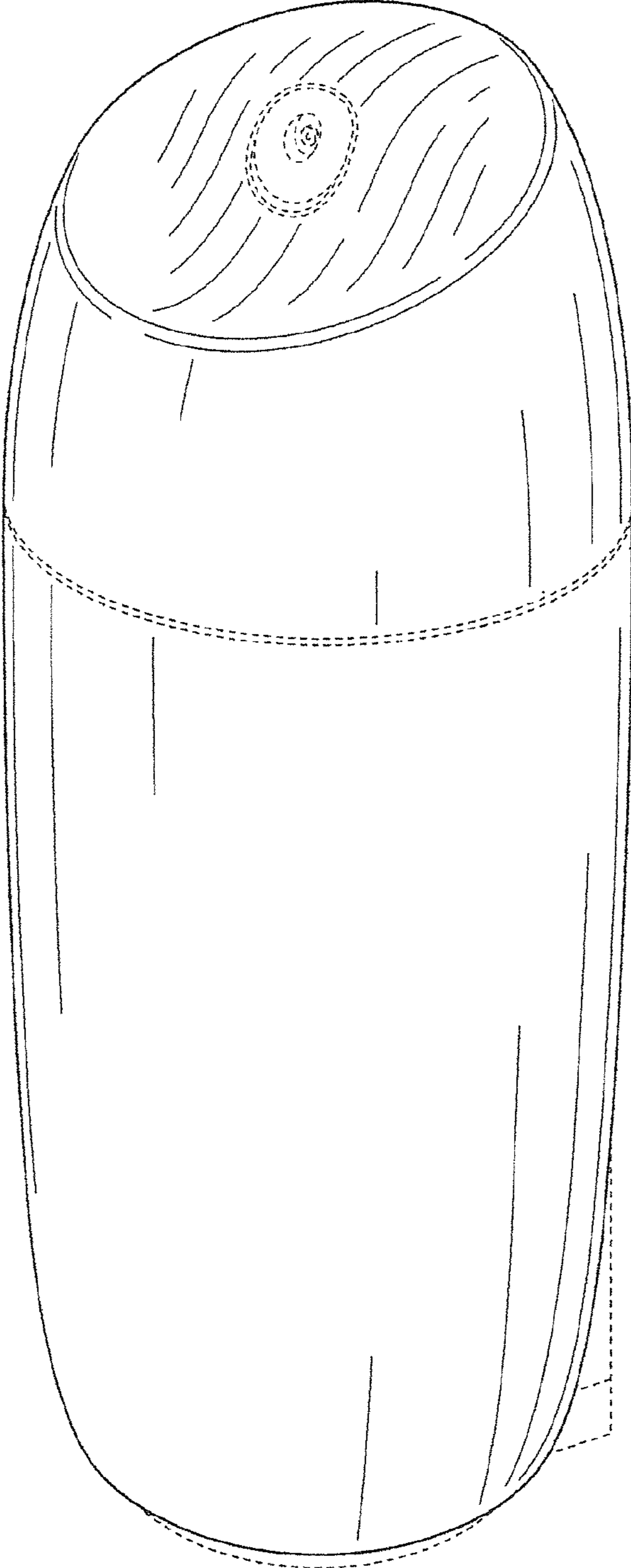


Fig. 1

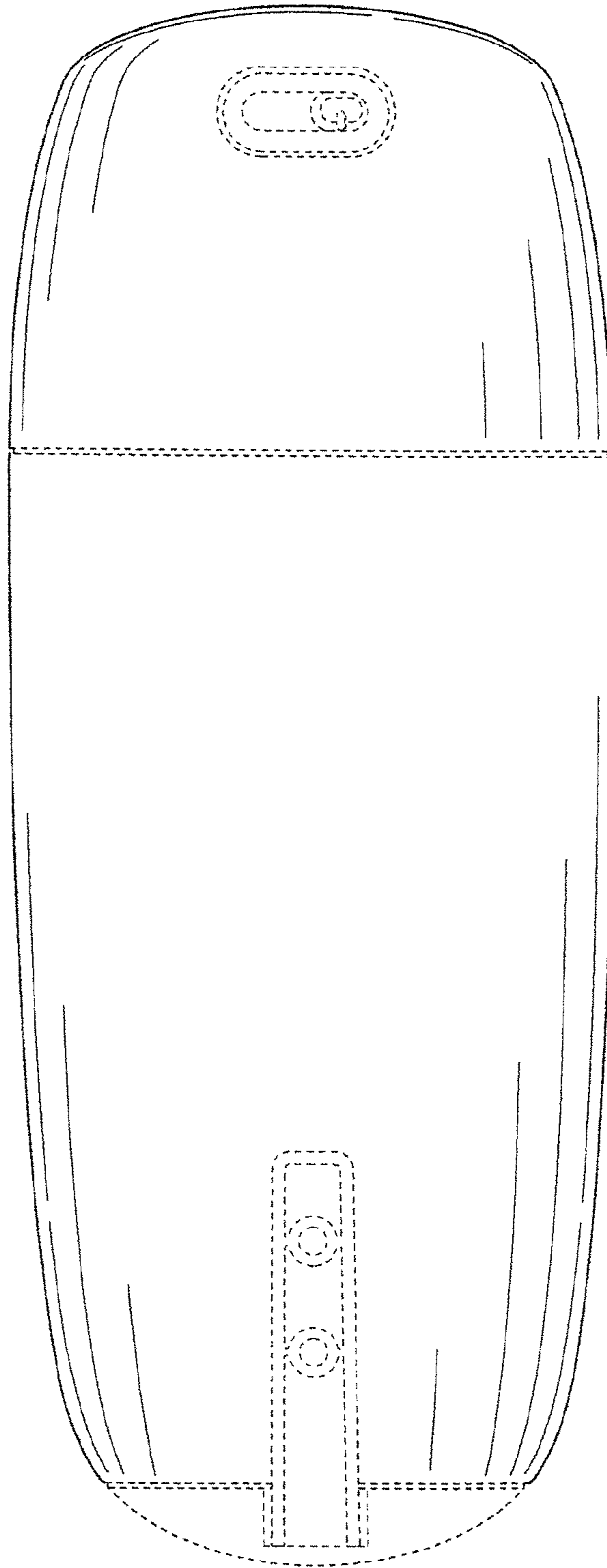


Fig. 2

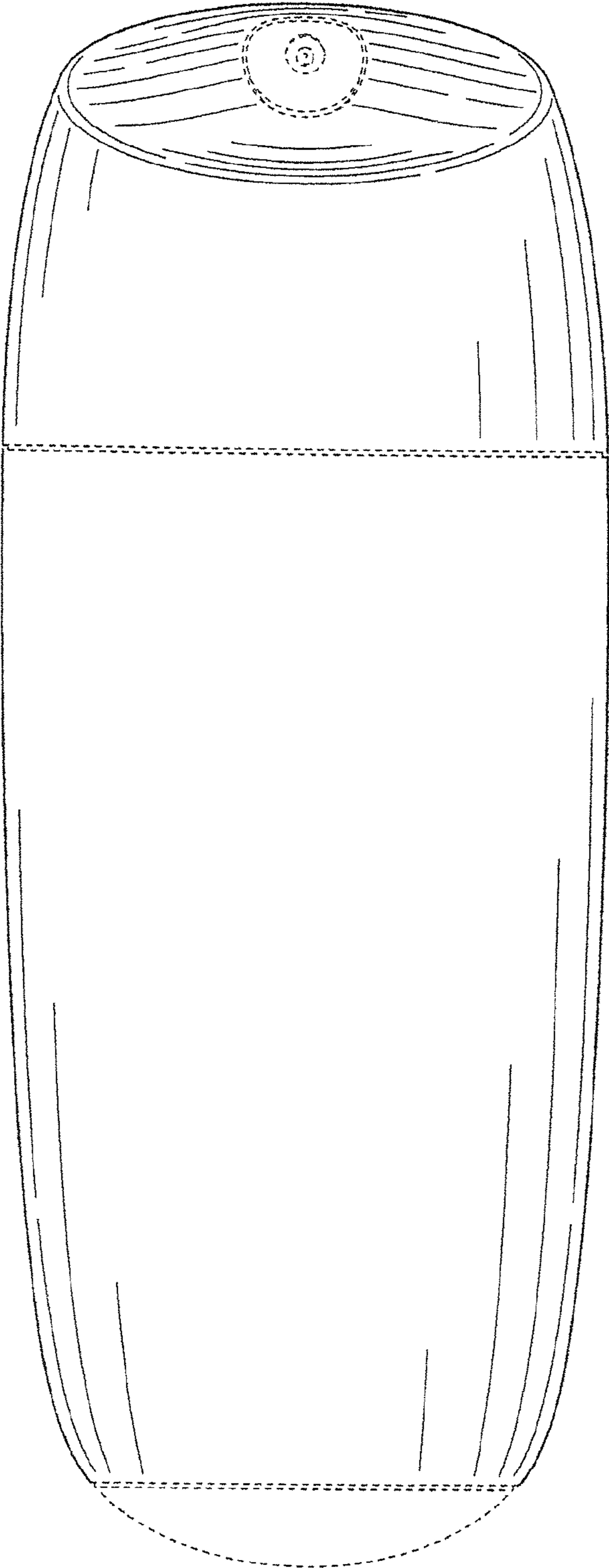


Fig. 3

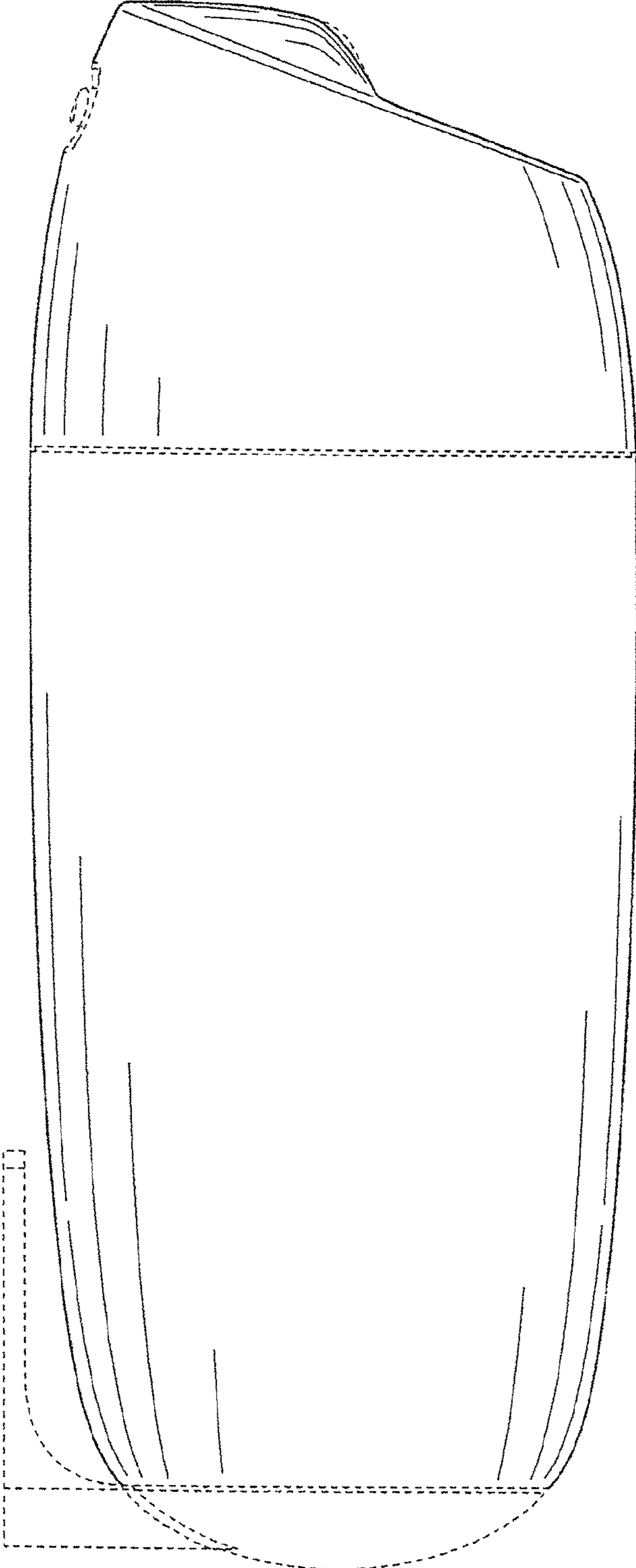


Fig. 4

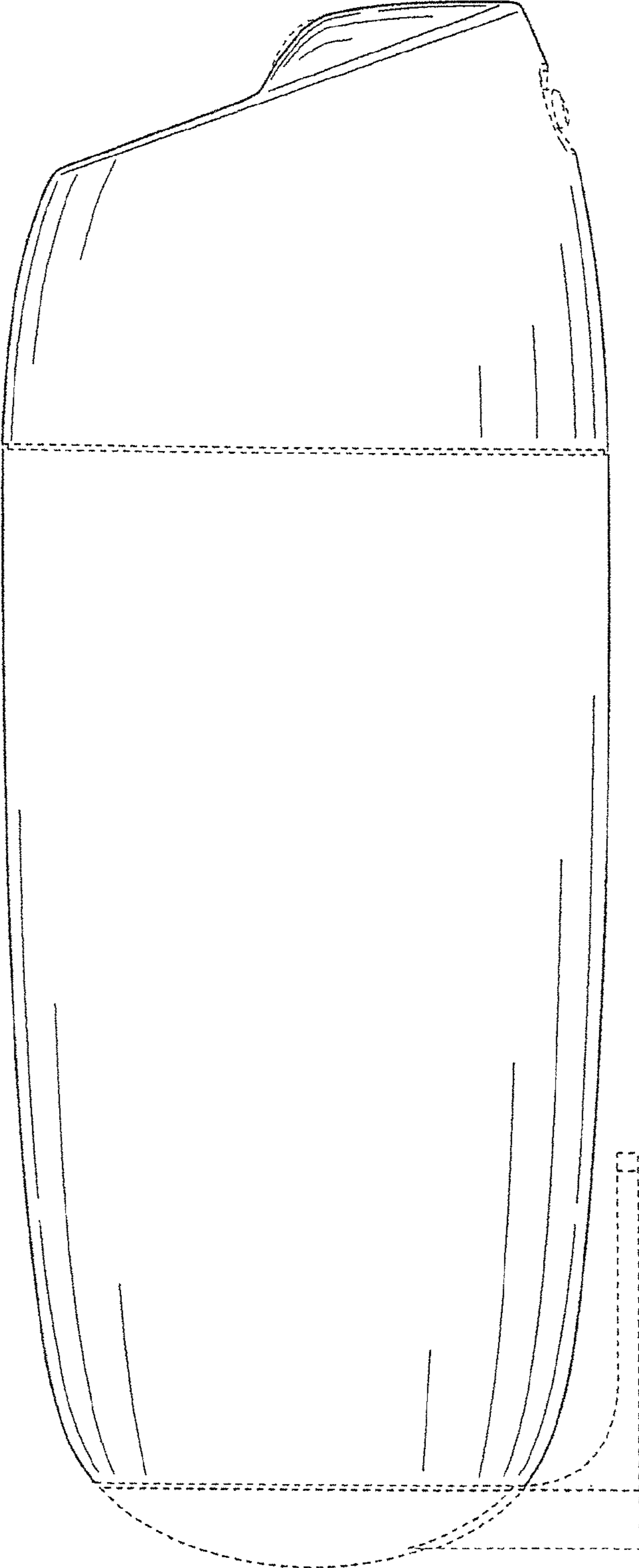


Fig. 5

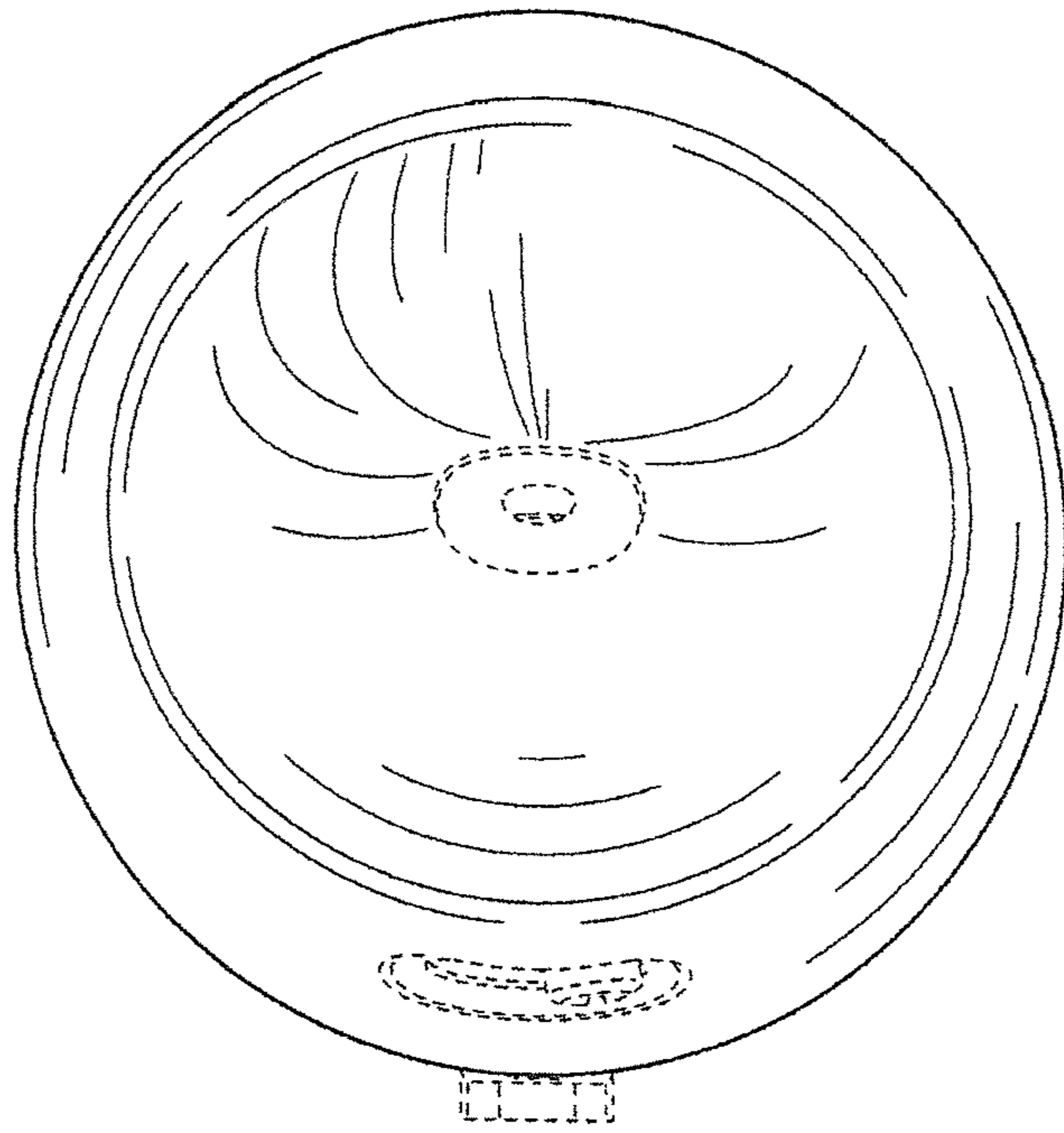


Fig. 6

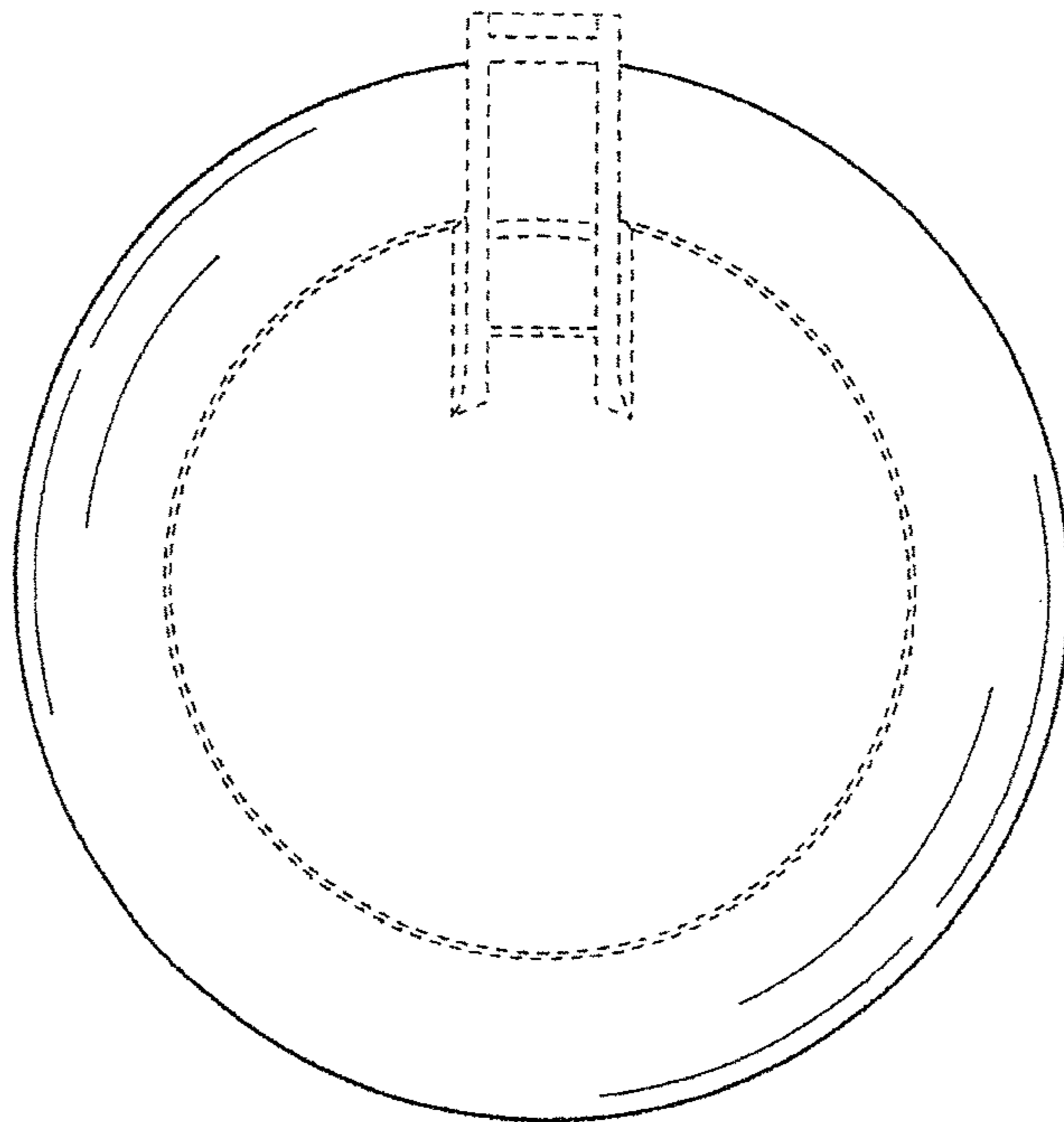


Fig. 7