

US00D650287S

(12) **United States Design Patent**
Macaulay et al.

(10) **Patent No.:** **US D650,287 S**

(45) **Date of Patent:** **** *Dec. 13, 2011**

(54) **BOTTLE**

(75) Inventors: **Frank Delmar Macaulay**, Cincinnati, OH (US); **Jason C. Campbell**, Chicago, IL (US); **Erica Heidi Hollmann**, Kenosha, WI (US); **Karl A. Bakker**, Chicago, IL (US)

(73) Assignee: **The Procter & Gamble Company**, Cincinnati, OH (US)

(*) Notice: This patent is subject to a terminal disclaimer.

(**) Term: **14 Years**

(21) Appl. No.: **29/388,622**

(22) Filed: **Mar. 31, 2011**

Related U.S. Application Data

(62) Division of application No. 29/332,712, filed on Feb. 24, 2009, now Pat. No. Des. 637,911.

(51) **LOC (9) Cl.** **09-01**

(52) **U.S. Cl.** **D9/565; D9/575**

(58) **Field of Classification Search** D9/434, D9/435, 454, 455, 516, 529, 530, 537-539, D9/541, 543, 559, 575; 215/382-384; 220/669
See application file for complete search history.

(56) **References Cited**

U.S. PATENT DOCUMENTS

D153,194 S	3/1949	Wiedhope	
D397,518 S	8/1998	Kudo	
D444,388 S	7/2001	Bakic	
D468,209 S *	1/2003	Joubert	D9/529
D470,752 S *	2/2003	Kunesh et al.	D9/689
D470,753 S *	2/2003	Kunesh et al.	D9/521
D472,475 S	4/2003	Pinard	
D474,405 S *	5/2003	Togasawa	D9/504
D486,400 S	2/2004	Bakic	
D507,748 S	7/2005	McCutchan et al.	
D509,114 S	9/2005	McGuyer	
D516,432 S	3/2006	McCutchan et al.	
D519,383 S	4/2006	Stolle	

D529,810 S	10/2006	Davies et al.	
D529,811 S	10/2006	Ratzlaff	
D530,572 S *	10/2006	Daams	D7/615
D546,188 S *	7/2007	Penfold et al.	D9/529
D558,579 S *	1/2008	Blasko et al.	D9/529
D576,039 S *	9/2008	Bradley et al.	D9/500
D591,165 S *	4/2009	Bradley et al.	D9/691
D599,672 S *	9/2009	Carlson et al.	D9/542
D604,622 S *	11/2009	Bohache et al.	D9/530
D605,945 S *	12/2009	Macaulay et al.	D9/530
D609,094 S *	2/2010	Kim	D9/503
D637,911 S *	5/2011	Macaulay et al.	D9/529

* cited by examiner

Primary Examiner — Stella Reid

Assistant Examiner — Keli L Hill

(74) *Attorney, Agent, or Firm* — Alexandra S. Anoff; Amanda T. Barry

(57) **CLAIM**

The ornamental design for a bottle, as shown and described.

DESCRIPTION

FIG. 1 is a perspective view of a bottle embodying our new design;
 FIG. 2 is a front view thereof;
 FIG. 3 is a rear view thereof;
 FIG. 4 is a left side view thereof;
 FIG. 5 is a right side view thereof;
 FIG. 6 is a top view thereof;
 FIG. 7 is a bottom view thereof;
 FIG. 8 is a perspective view of a second embodiment of a bottle embodying our new design;
 FIG. 9 is a front view thereof;
 FIG. 10 is a rear view thereof;
 FIG. 11 is a left side view thereof;
 FIG. 12 is a right side view thereof;
 FIG. 13 is a top view thereof;
 FIG. 14 is a bottom view thereof;
 FIG. 15 is a perspective view of a third embodiment of a bottle embodying our new design;
 FIG. 16 is a front view thereof;
 FIG. 17 is a rear view thereof;
 FIG. 18 is a left side view thereof;
 FIG. 19 is a right side view thereof;

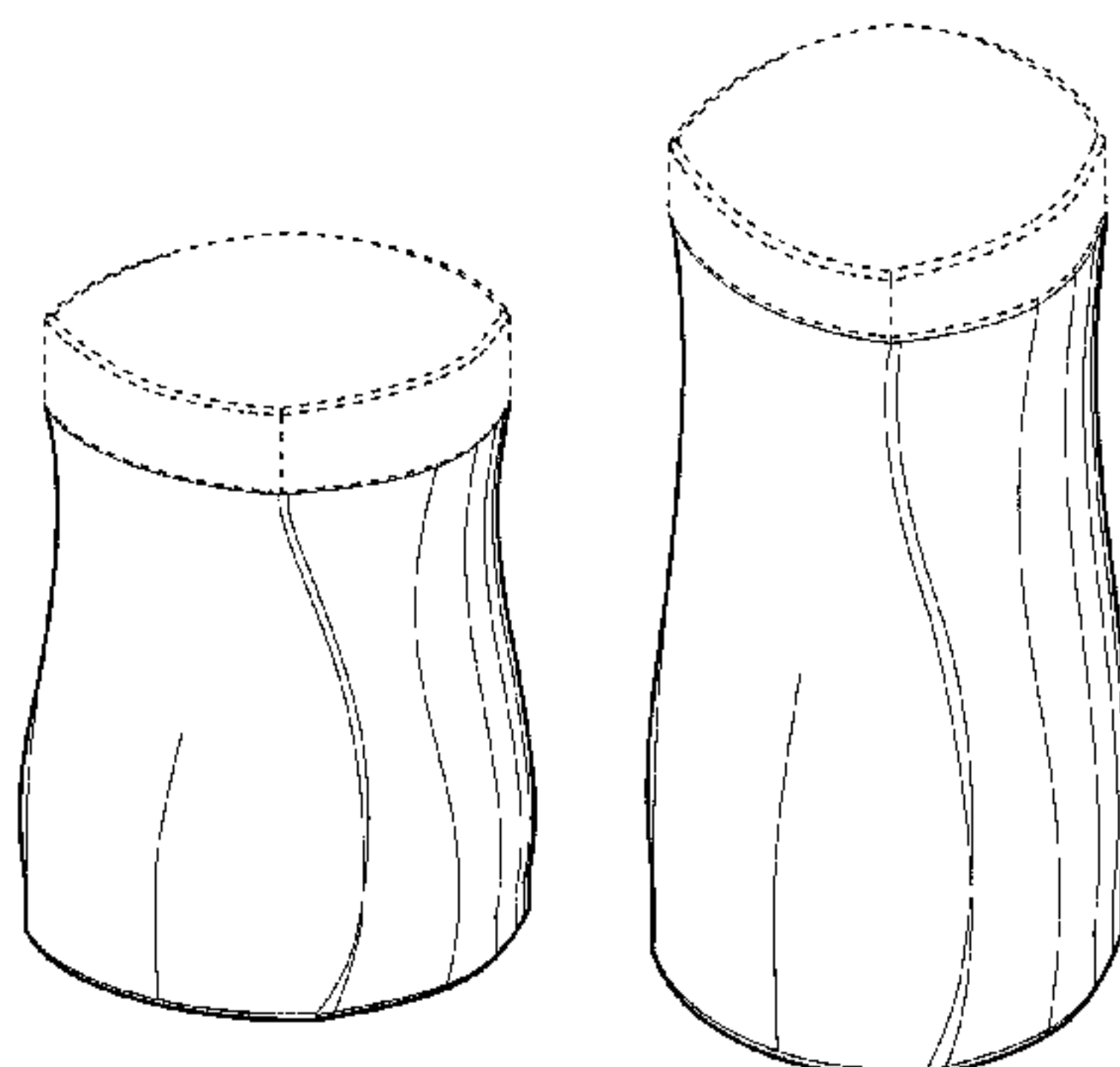


FIG. 20 is a top view thereof;
FIG. 21 is a bottom view thereof;
FIG. 22 is a perspective view of a fourth embodiment of a bottle embodying our new design;
FIG. 23 is a front view thereof;
FIG. 24 is a rear view thereof;
FIG. 25 is a left side view thereof;
FIG. 26 is a right side view thereof;
FIG. 27 is a top view thereof;
FIG. 28 is a bottom view thereof;
FIG. 29 is a perspective view of a fifth embodiment of a bottle embodying our new design;
FIG. 30 is a front view thereof;
FIG. 31 is a rear view thereof;
FIG. 32 is a left side view thereof;
FIG. 33 is a right side view thereof;
FIG. 34 is a top view thereof;
FIG. 35 is a bottom view thereof;

FIG. 36 is a perspective view of a sixth embodiment of a bottle embodying our new design;
FIG. 37 is a front view thereof;
FIG. 38 is a rear view thereof;
FIG. 39 is a left side view thereof;
FIG. 40 is a right side view thereof;
FIG. 41 is a top view thereof;
FIG. 42 is a bottom view thereof;
FIG. 43 is a perspective view of a seventh embodiment of a bottle embodying our new design;
FIG. 44 is a front view thereof;
FIG. 45 is a rear view thereof;
FIG. 46 is a left side view thereof;
FIG. 47 is a right side view thereof;
FIG. 48 is a top view thereof; and,
FIG. 49 is a bottom view thereof.
Broken lines are included herein for illustrative purposes only and form no part of the claimed design.

1 Claim, 17 Drawing Sheets

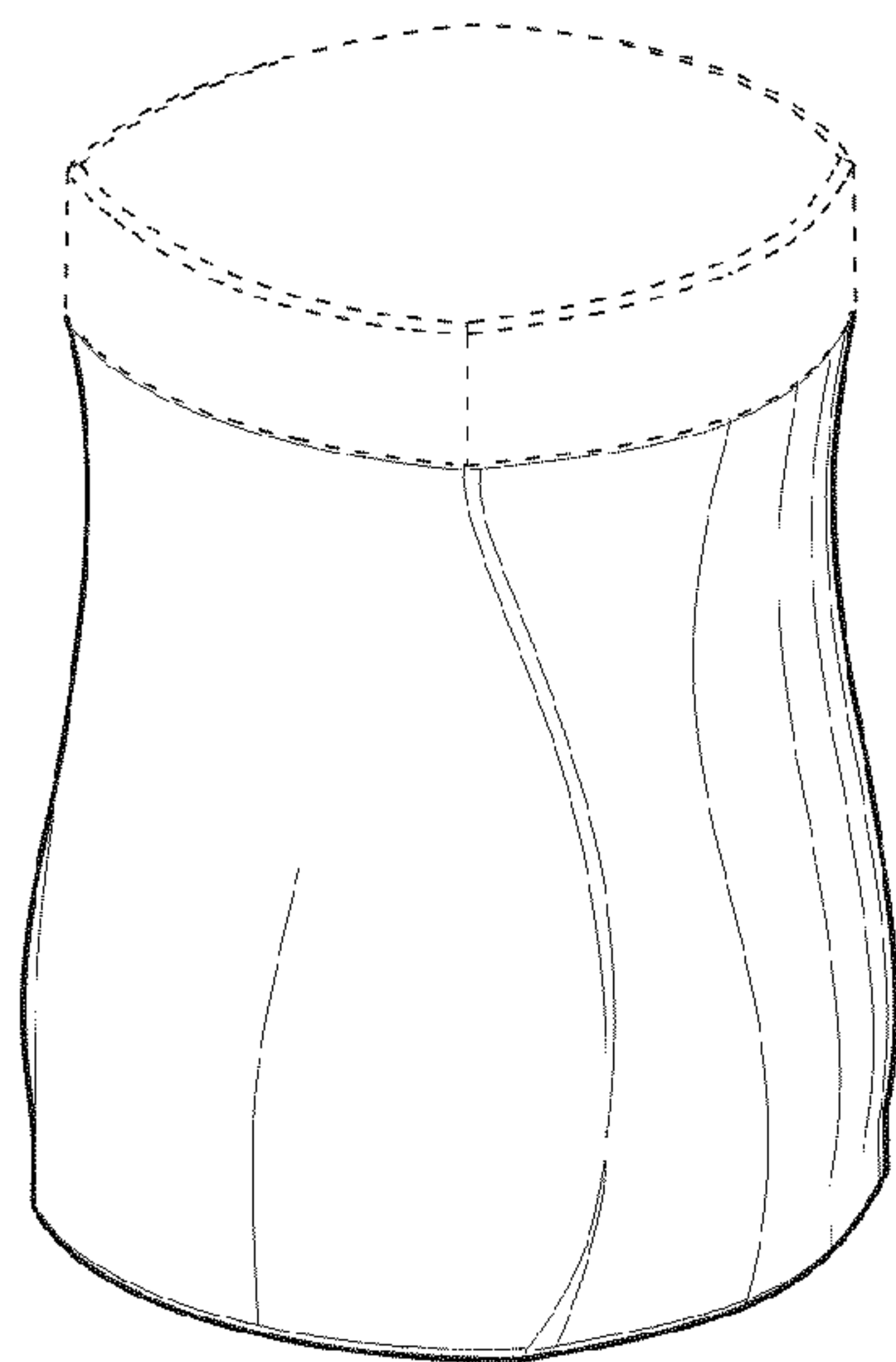


Fig. 1

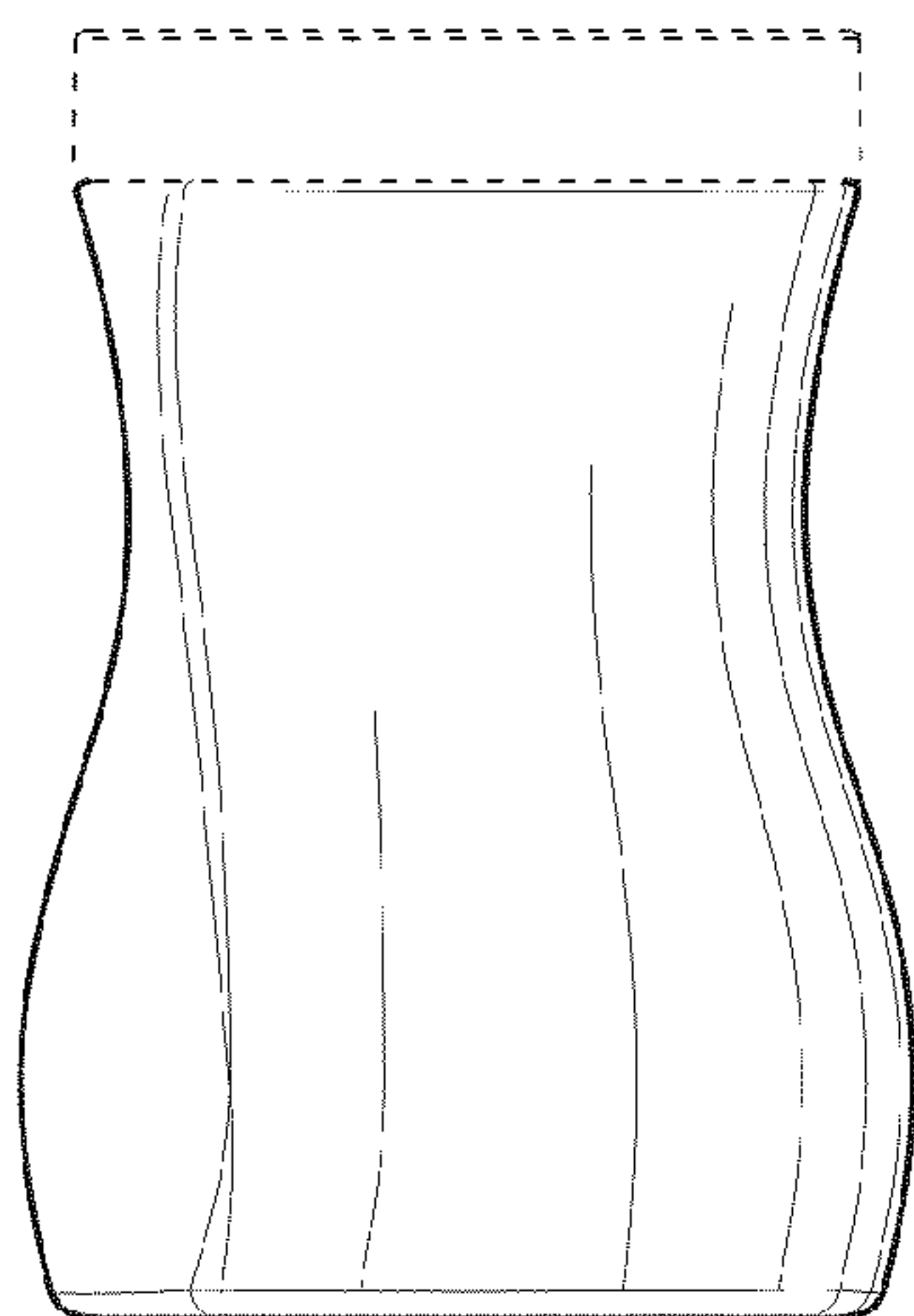


Fig. 2



Fig. 3

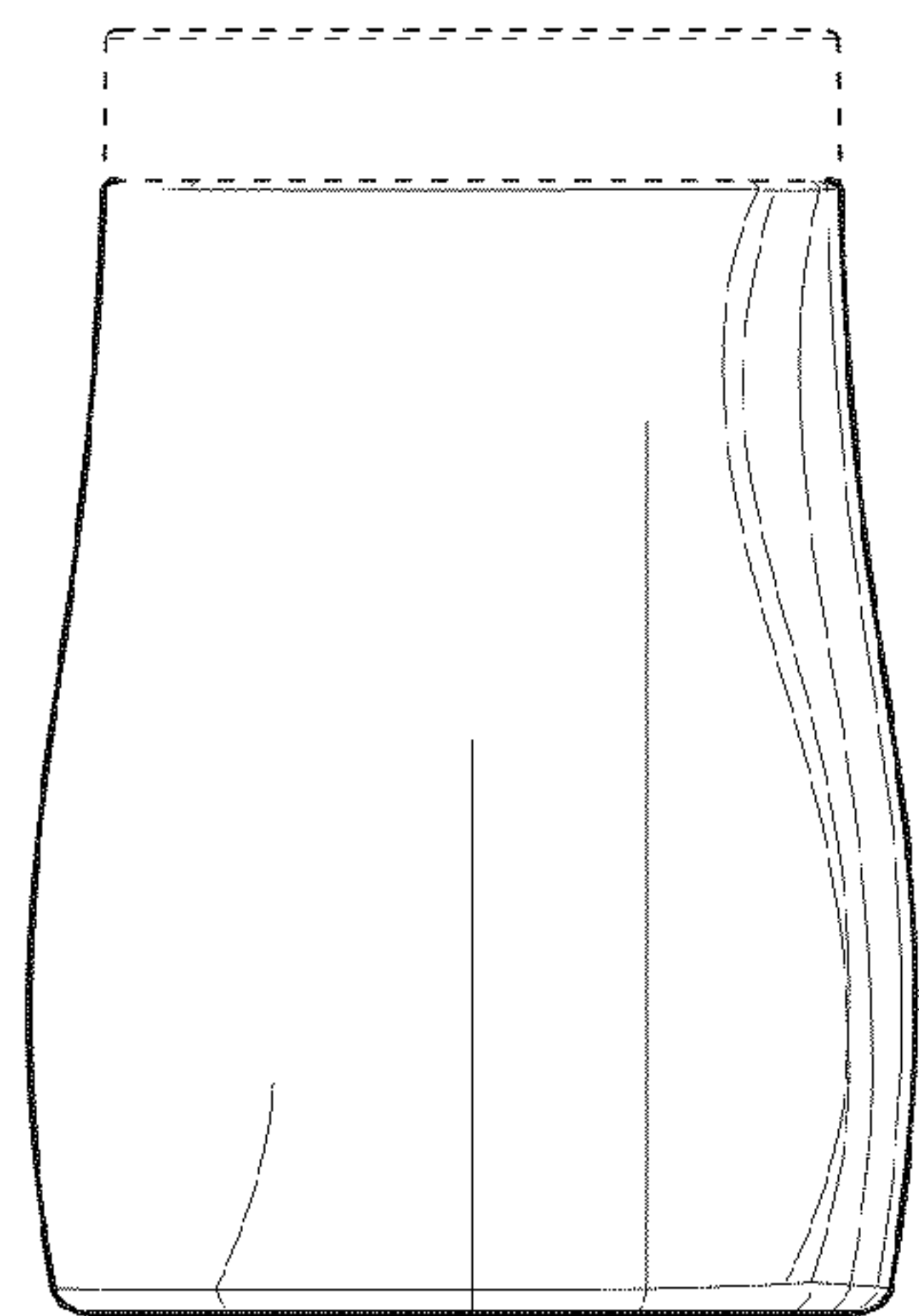


Fig. 4



Fig. 5

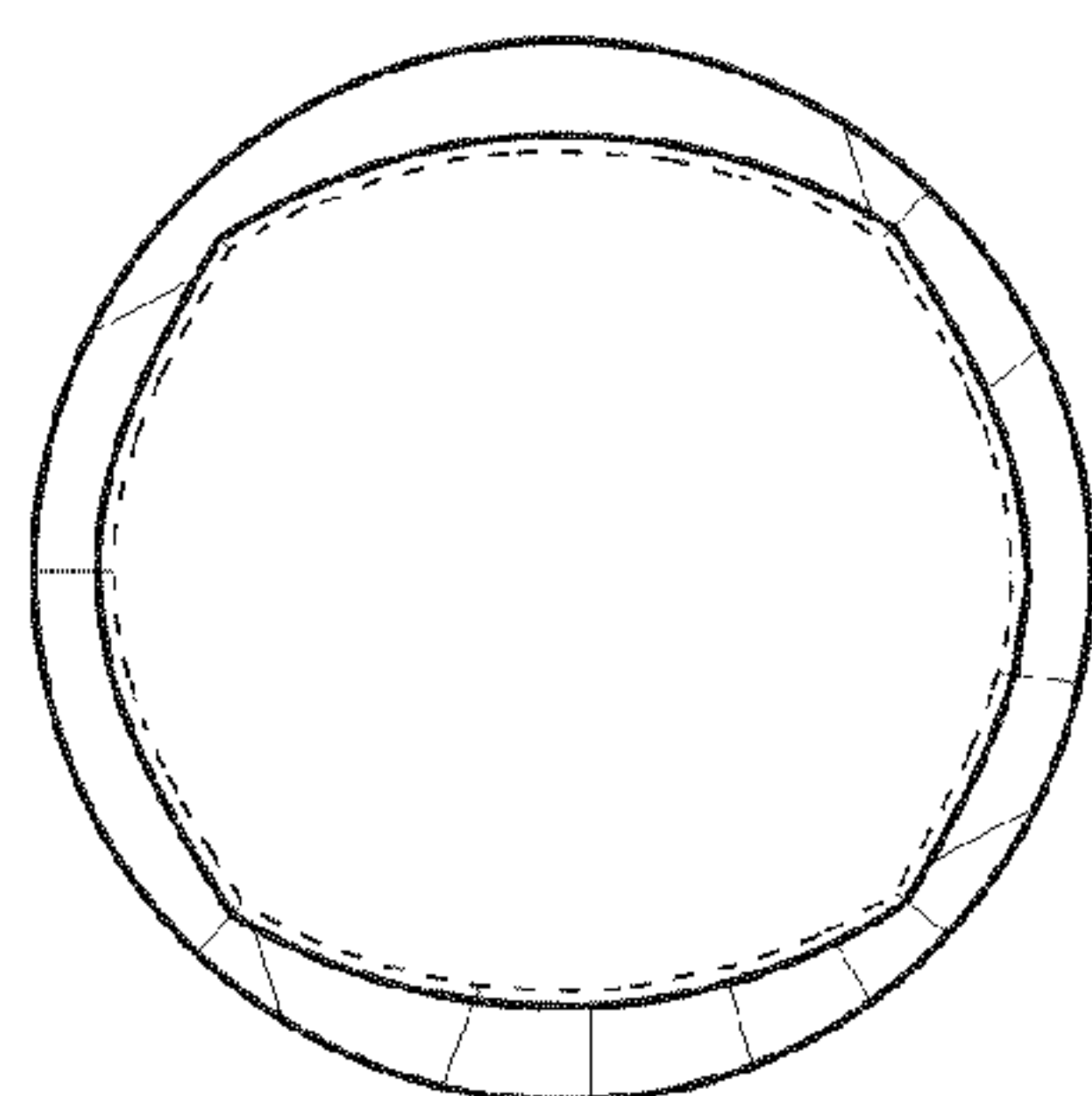


Fig. 6

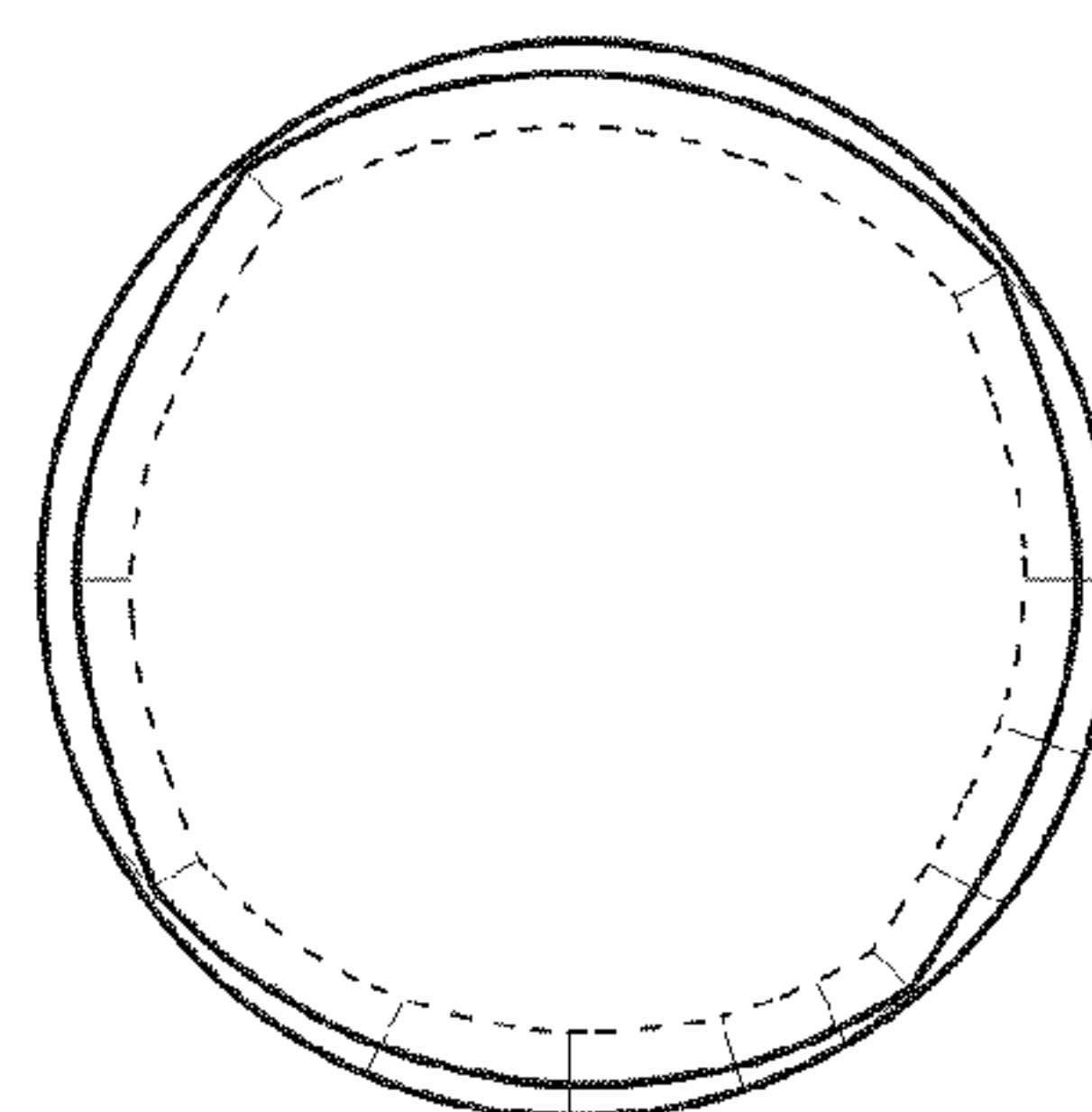


Fig. 7

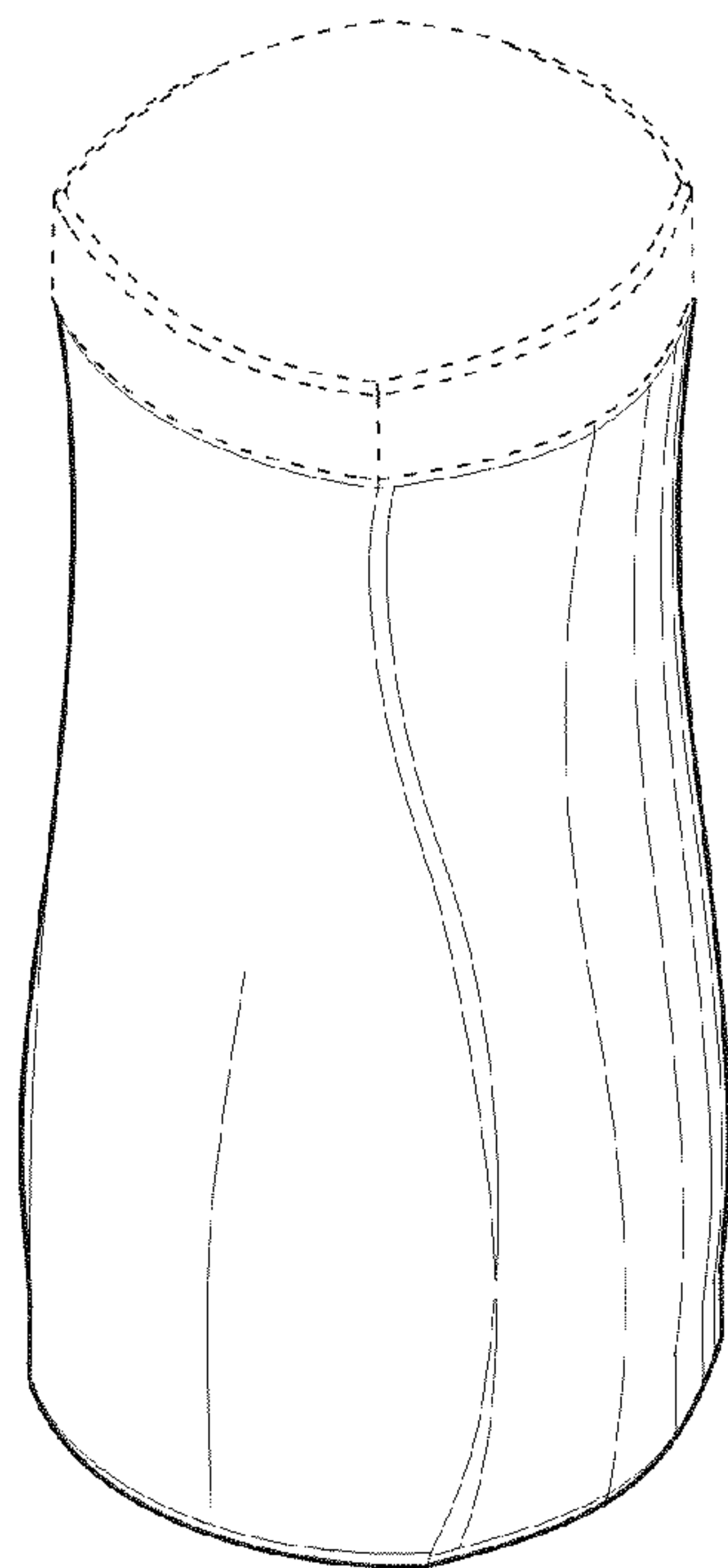


Fig. 8



Fig. 9



Fig. 10

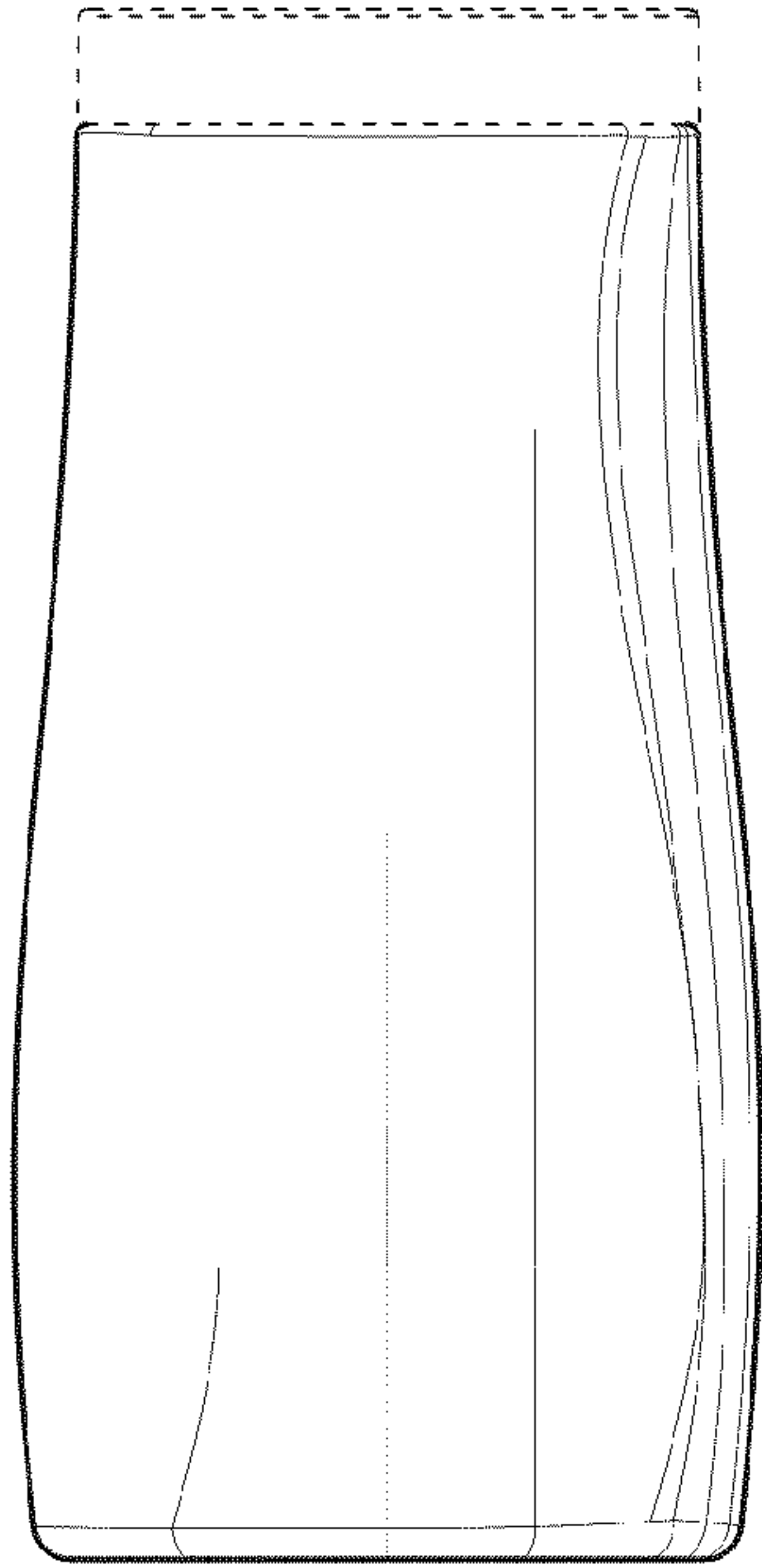


Fig. 11



Fig. 12

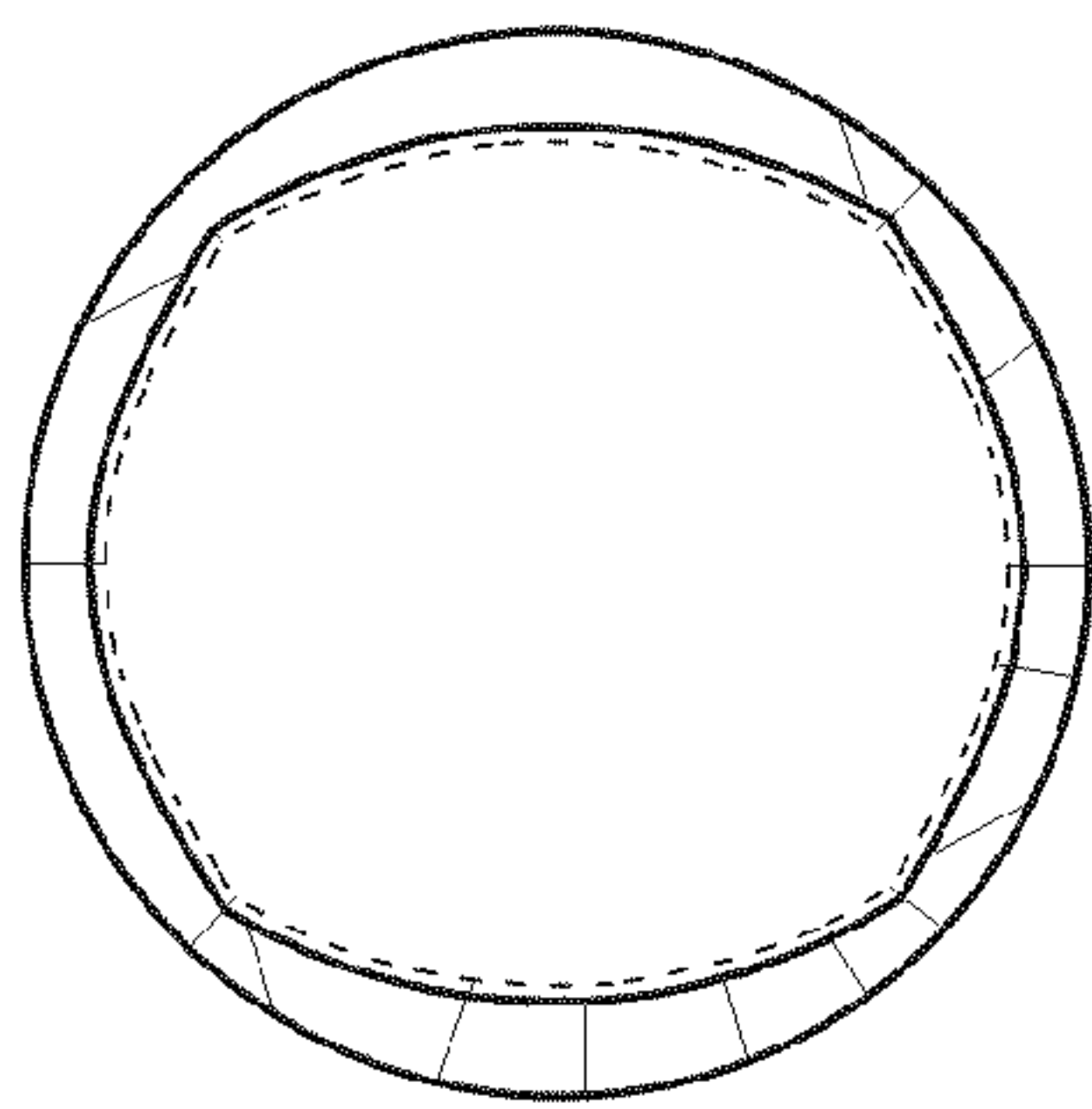


Fig. 13

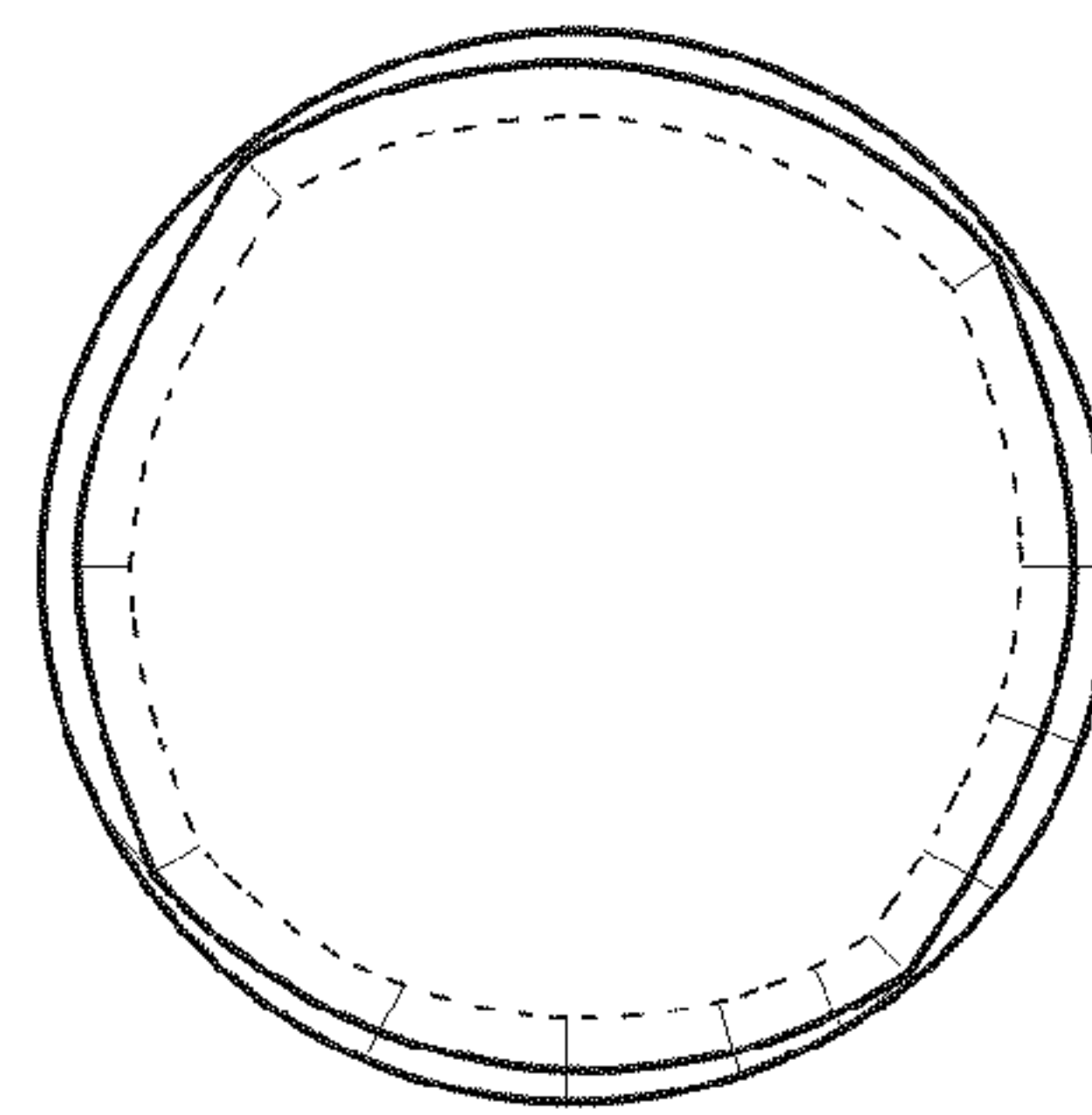


Fig. 14

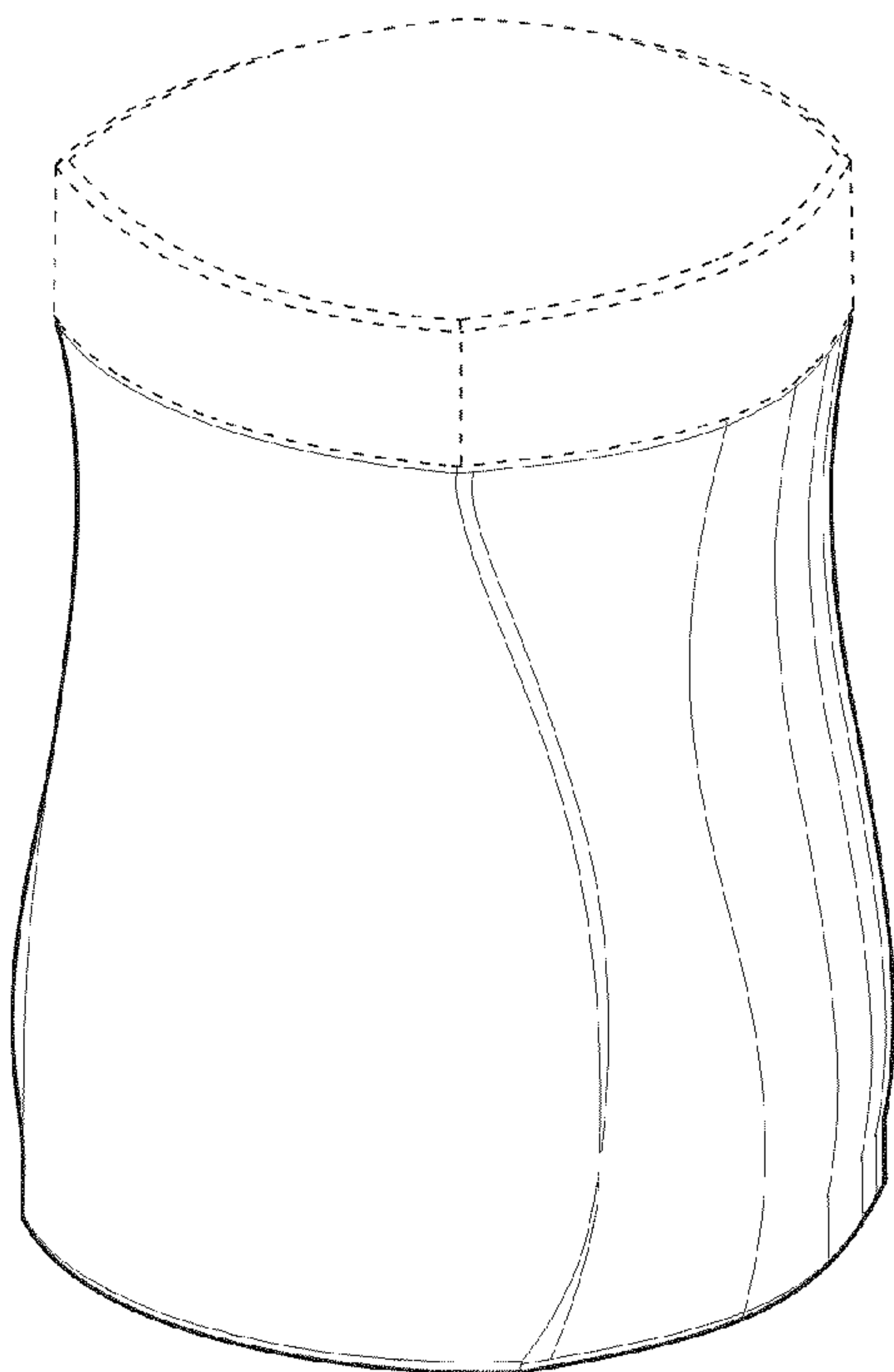


Fig. 15

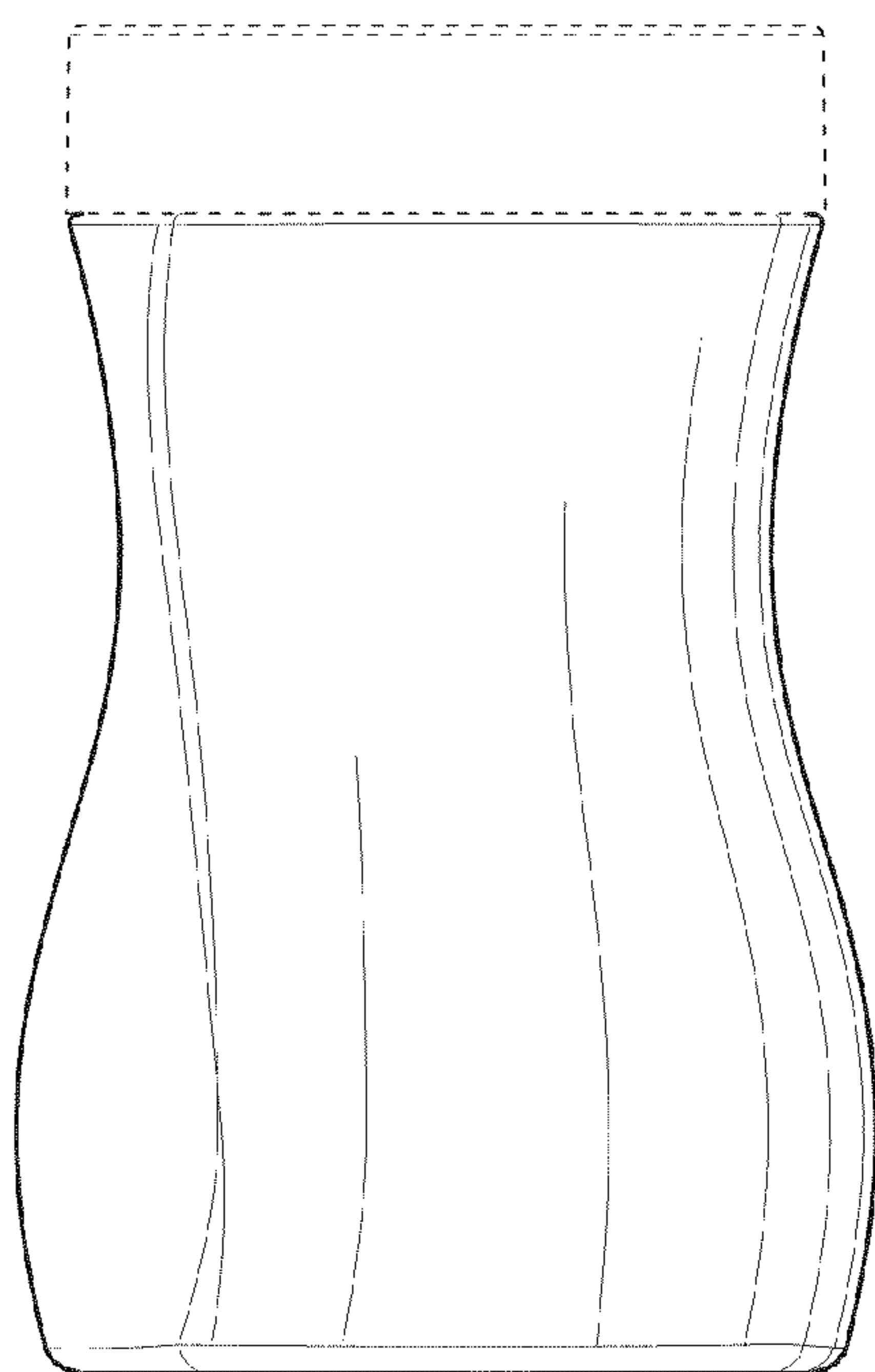


Fig. 16

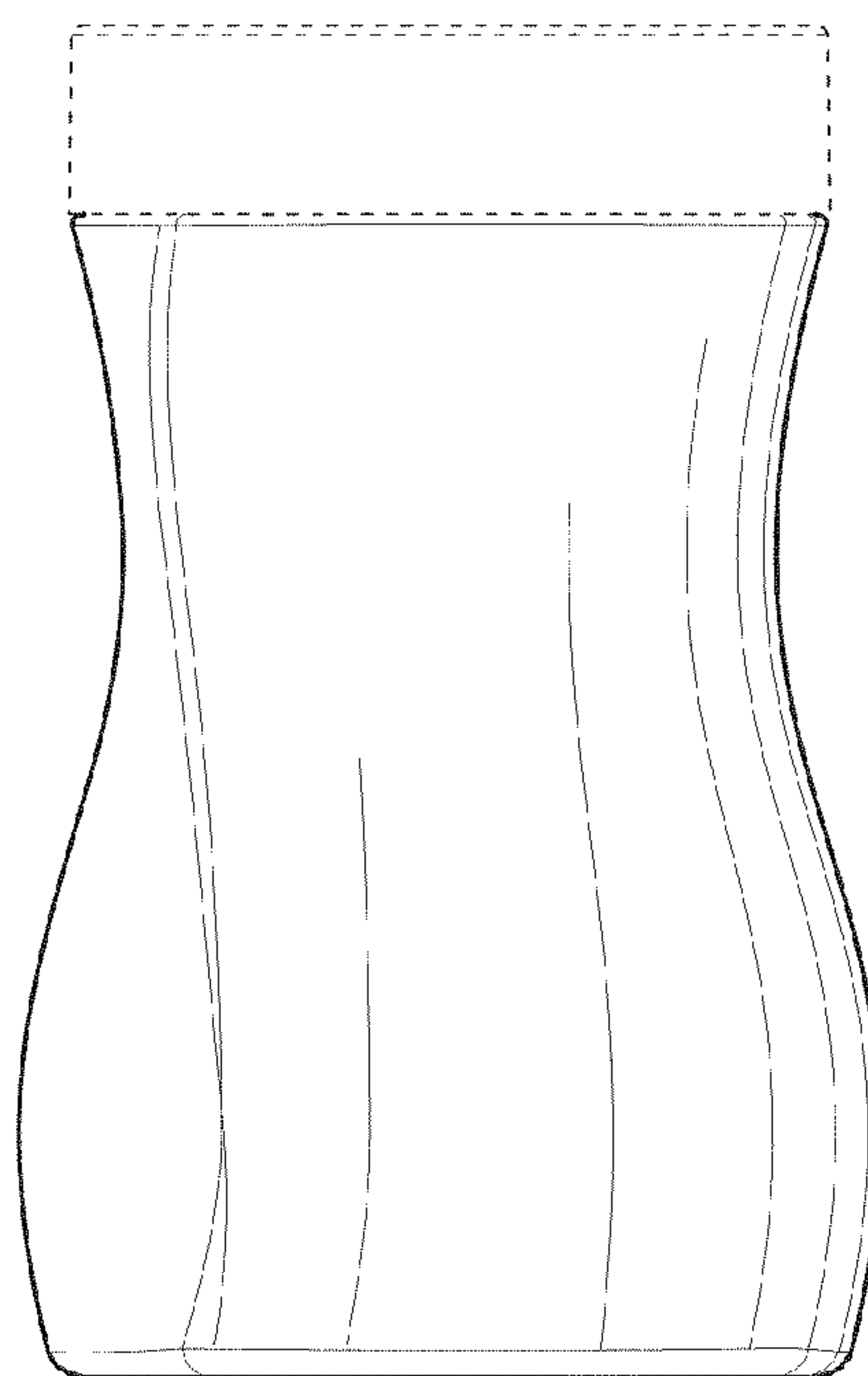


Fig. 17



Fig. 18



Fig. 19

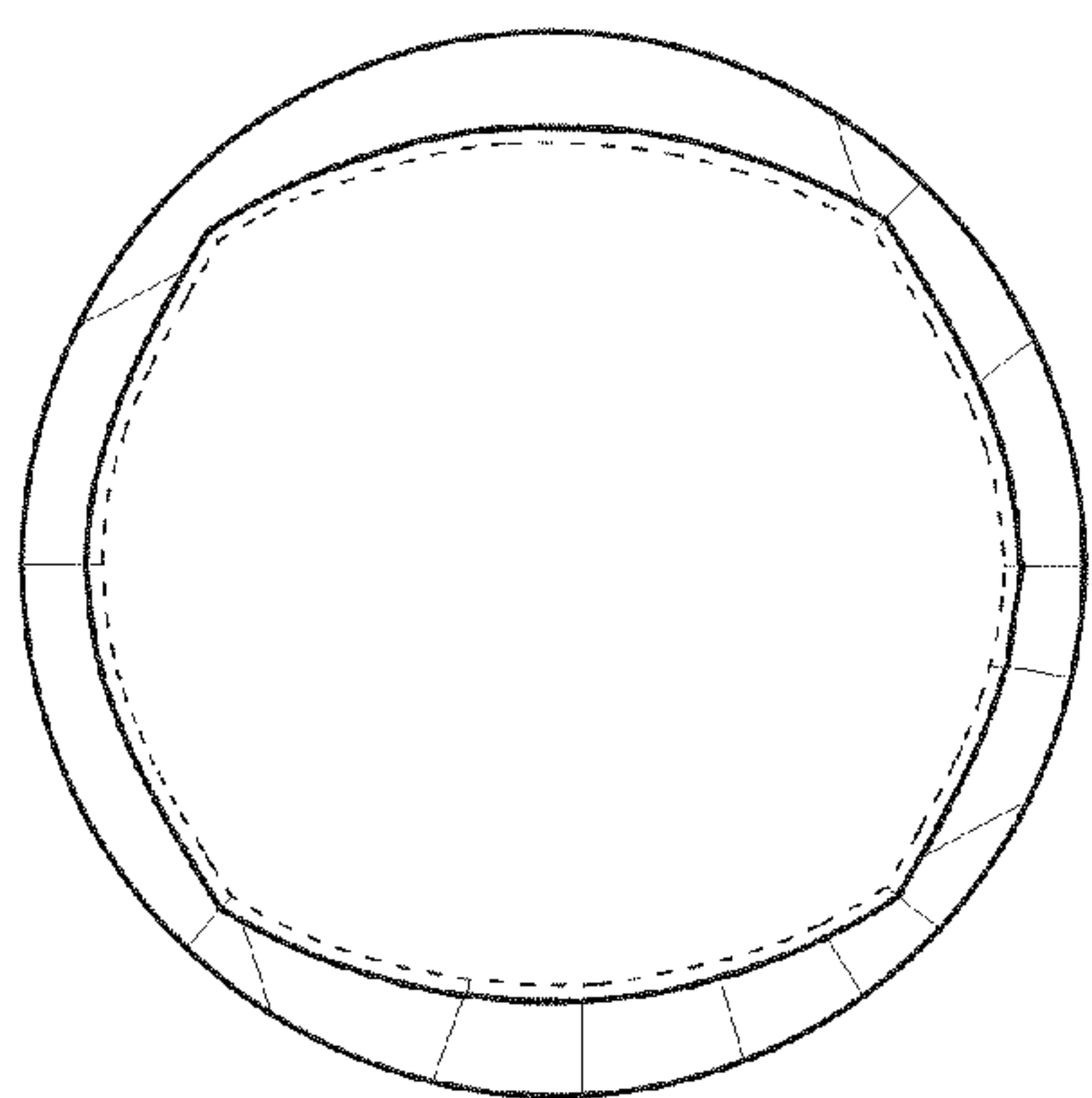


Fig. 20

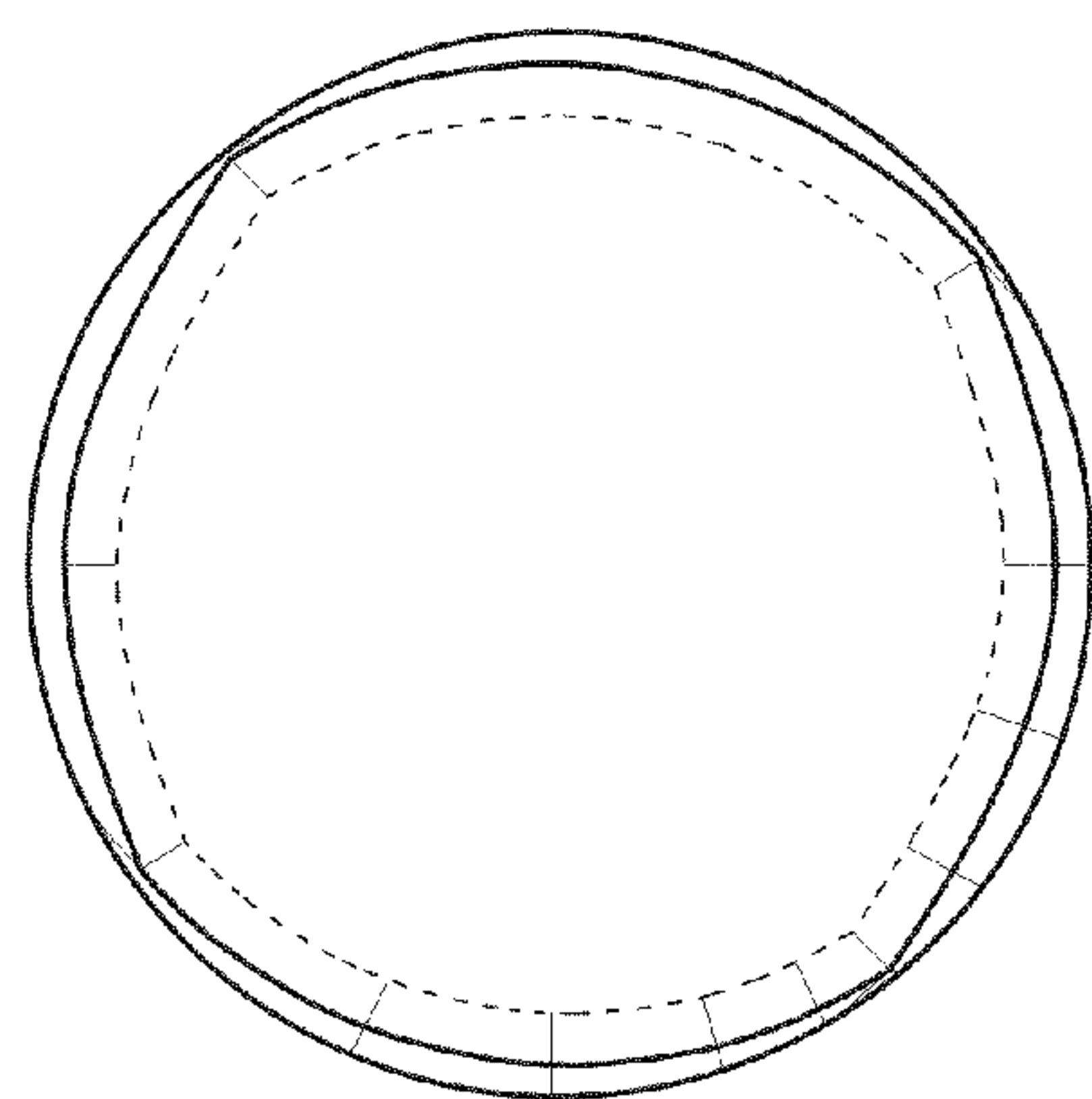


Fig. 21

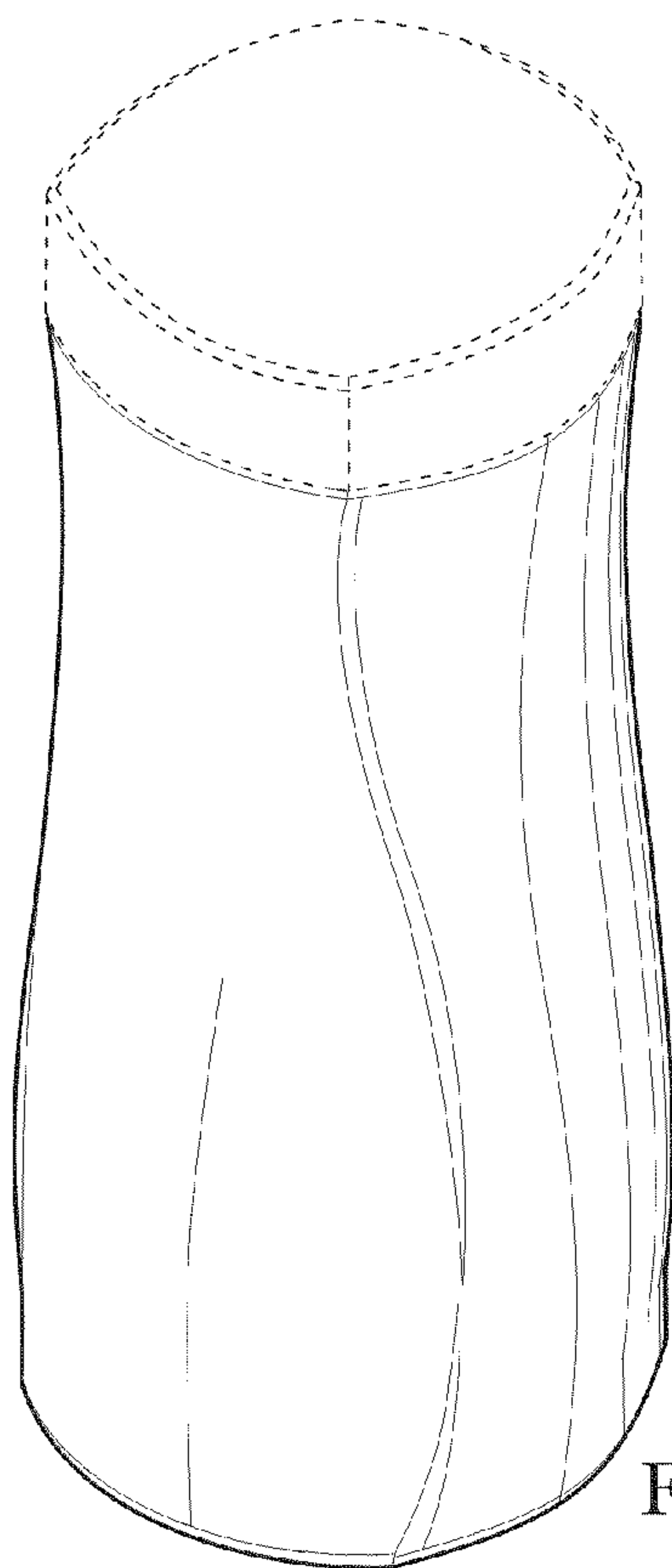


Fig. 22

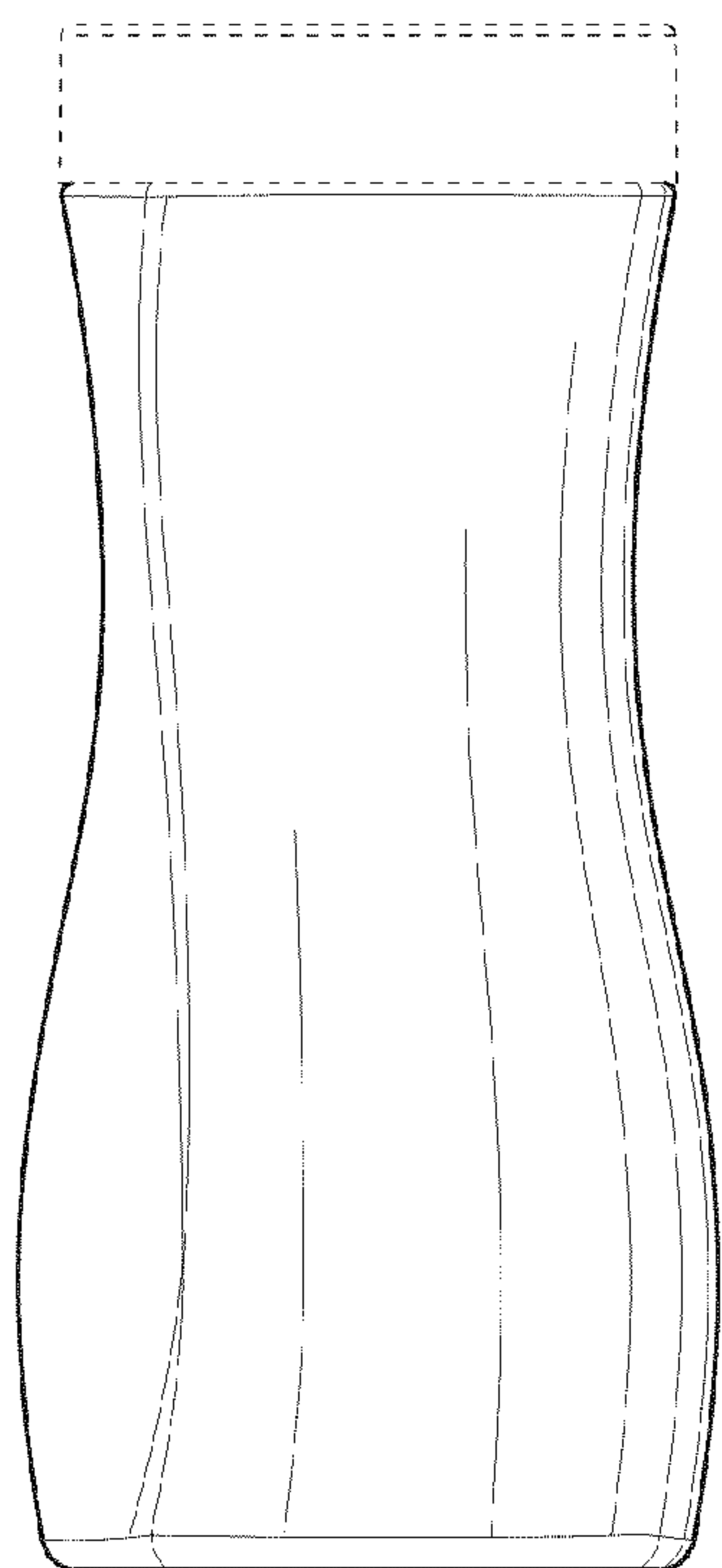


Fig. 23



Fig. 24

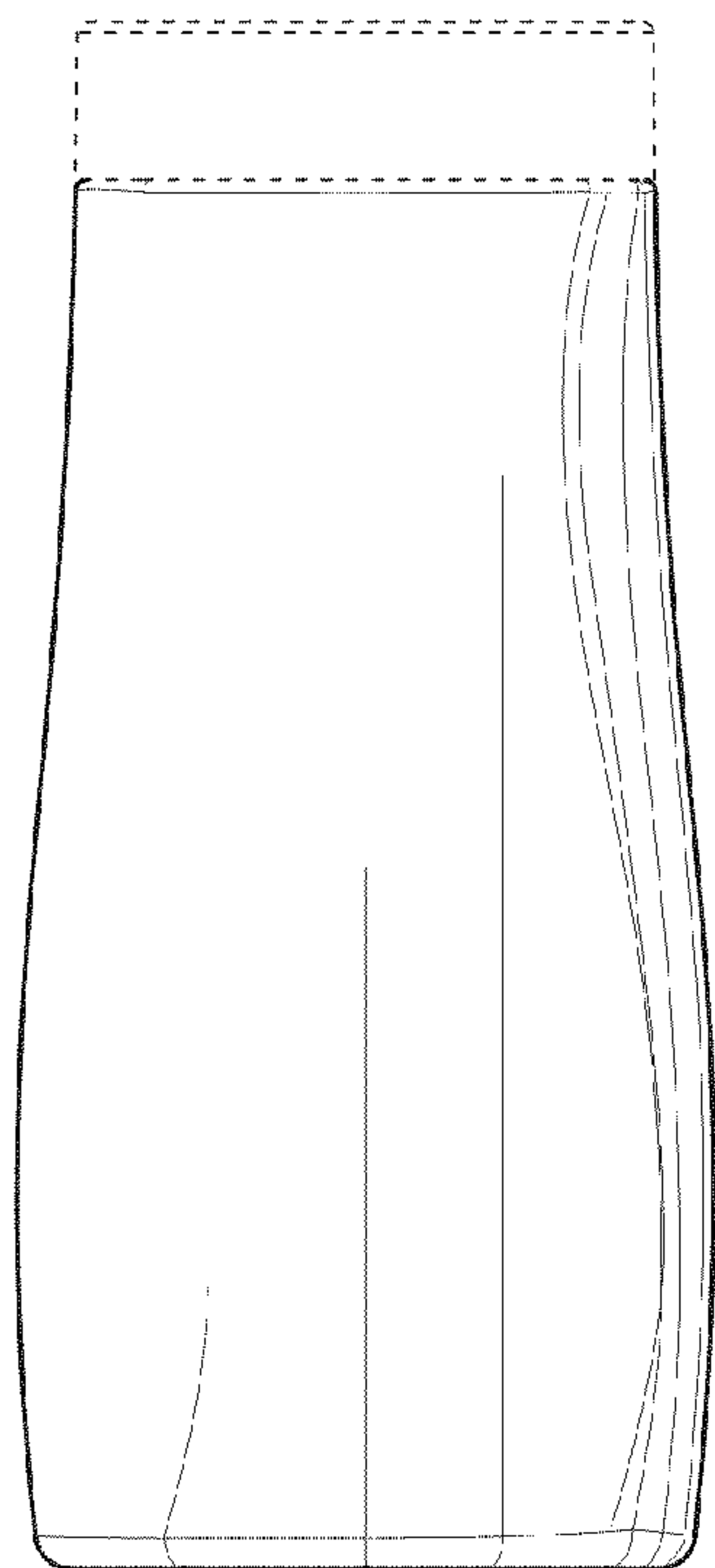


Fig. 25

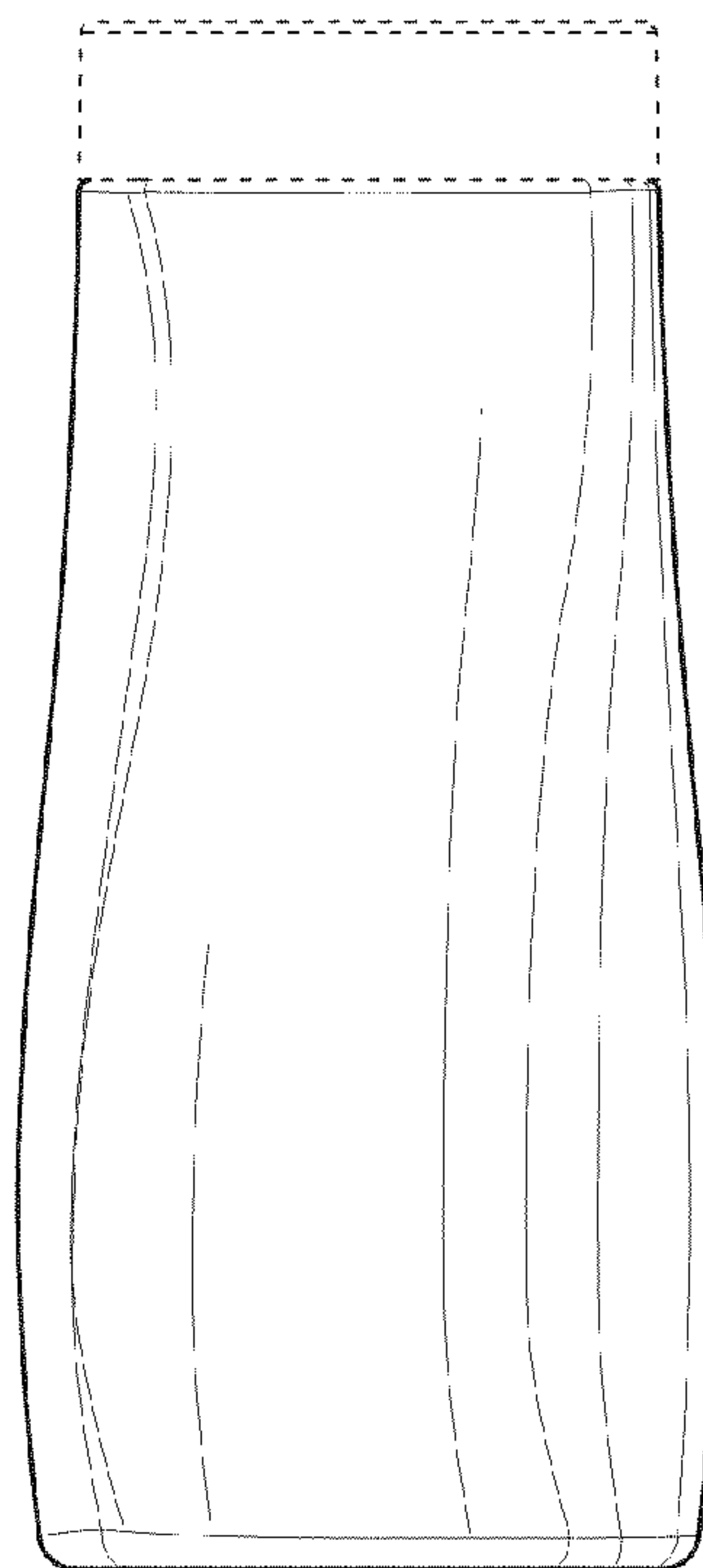


Fig. 26

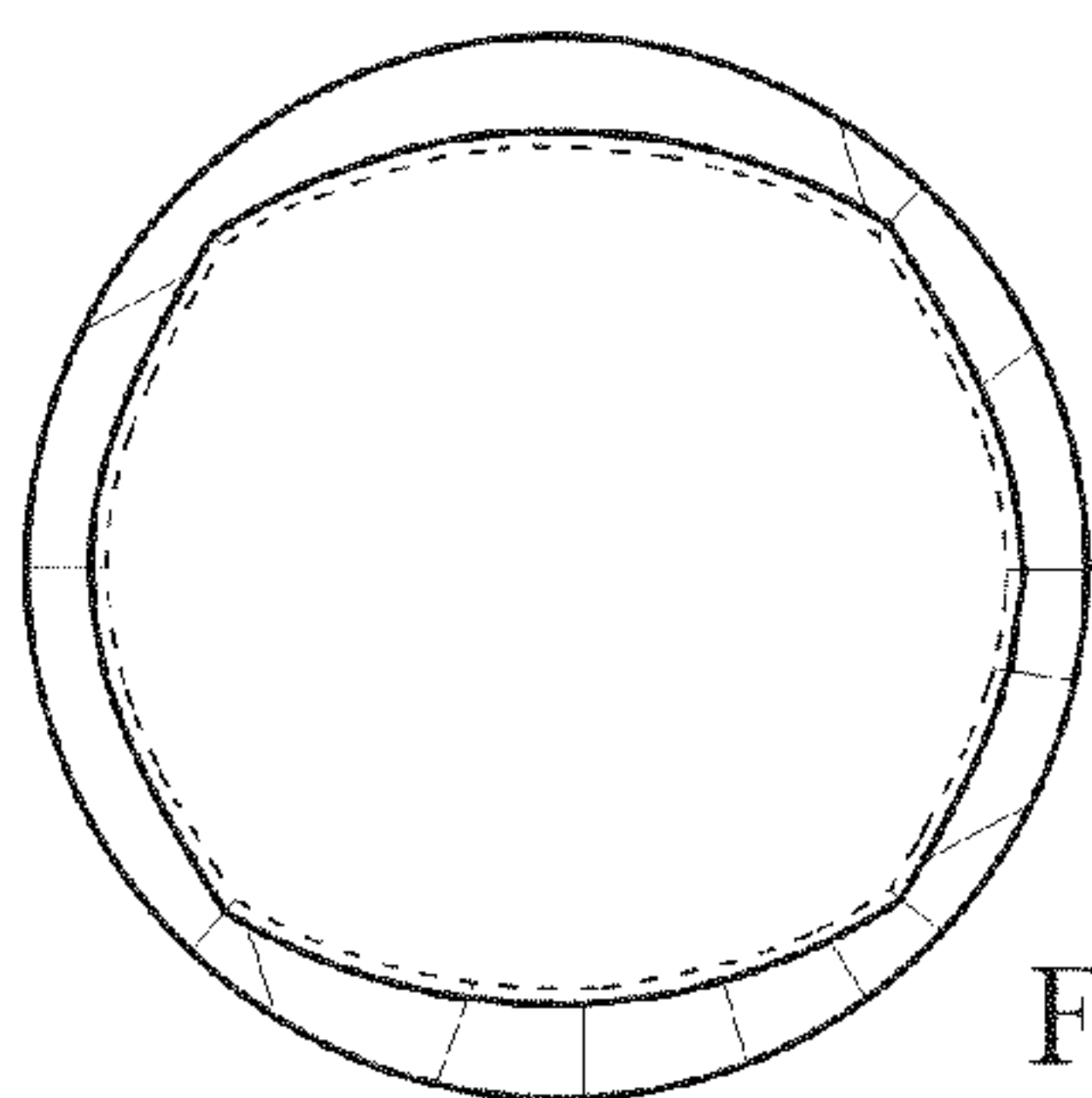


Fig. 27

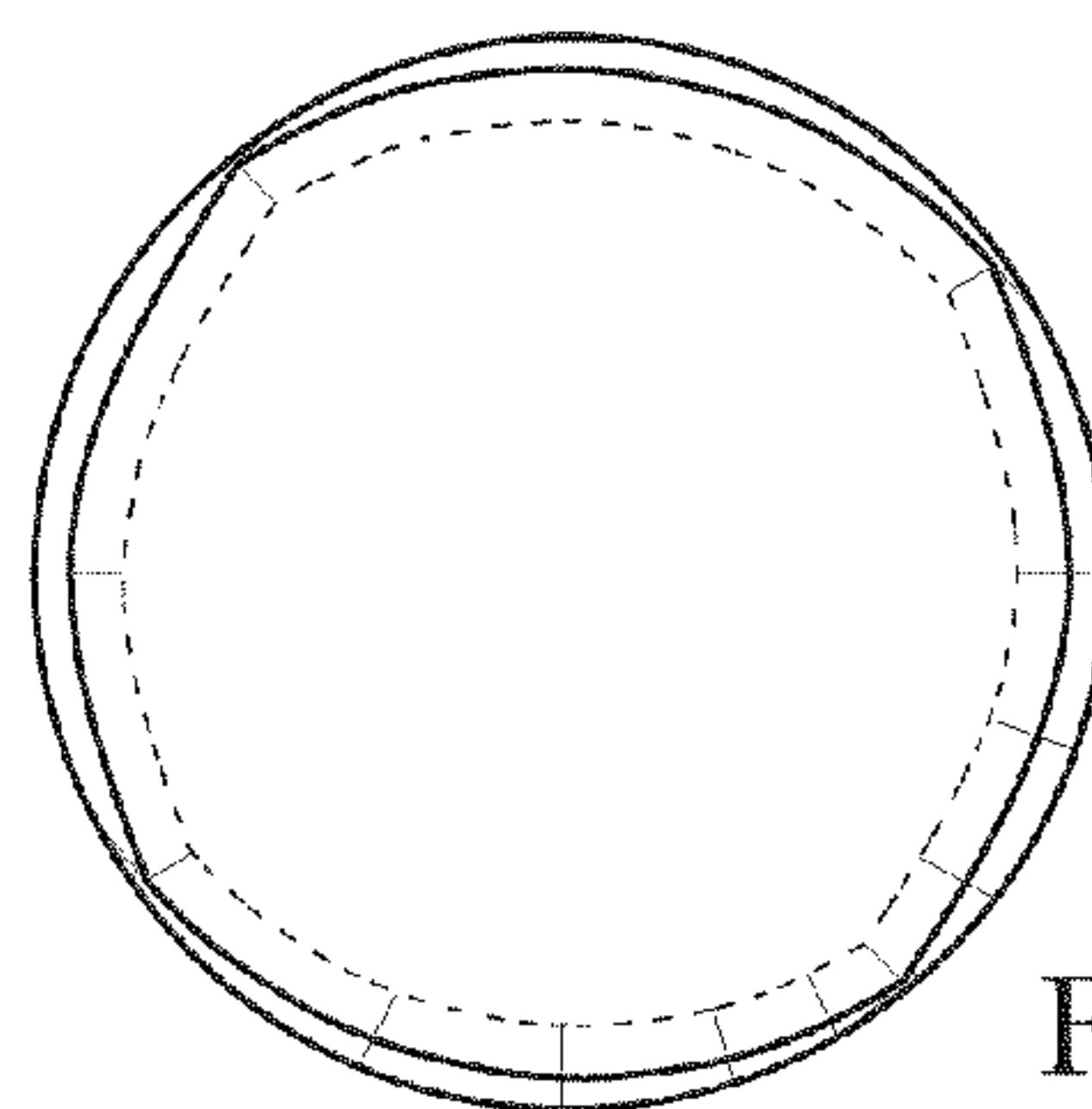


Fig. 28

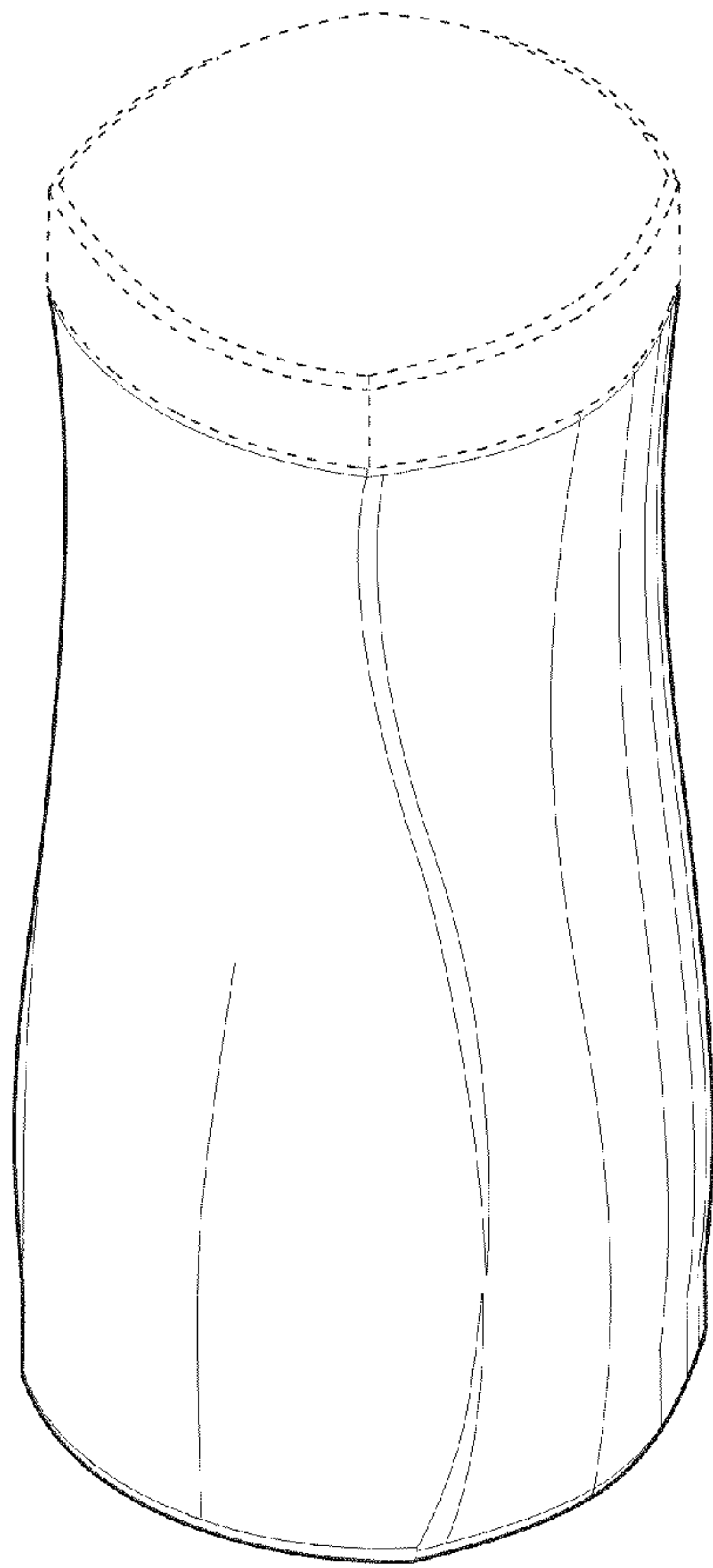


Fig. 29

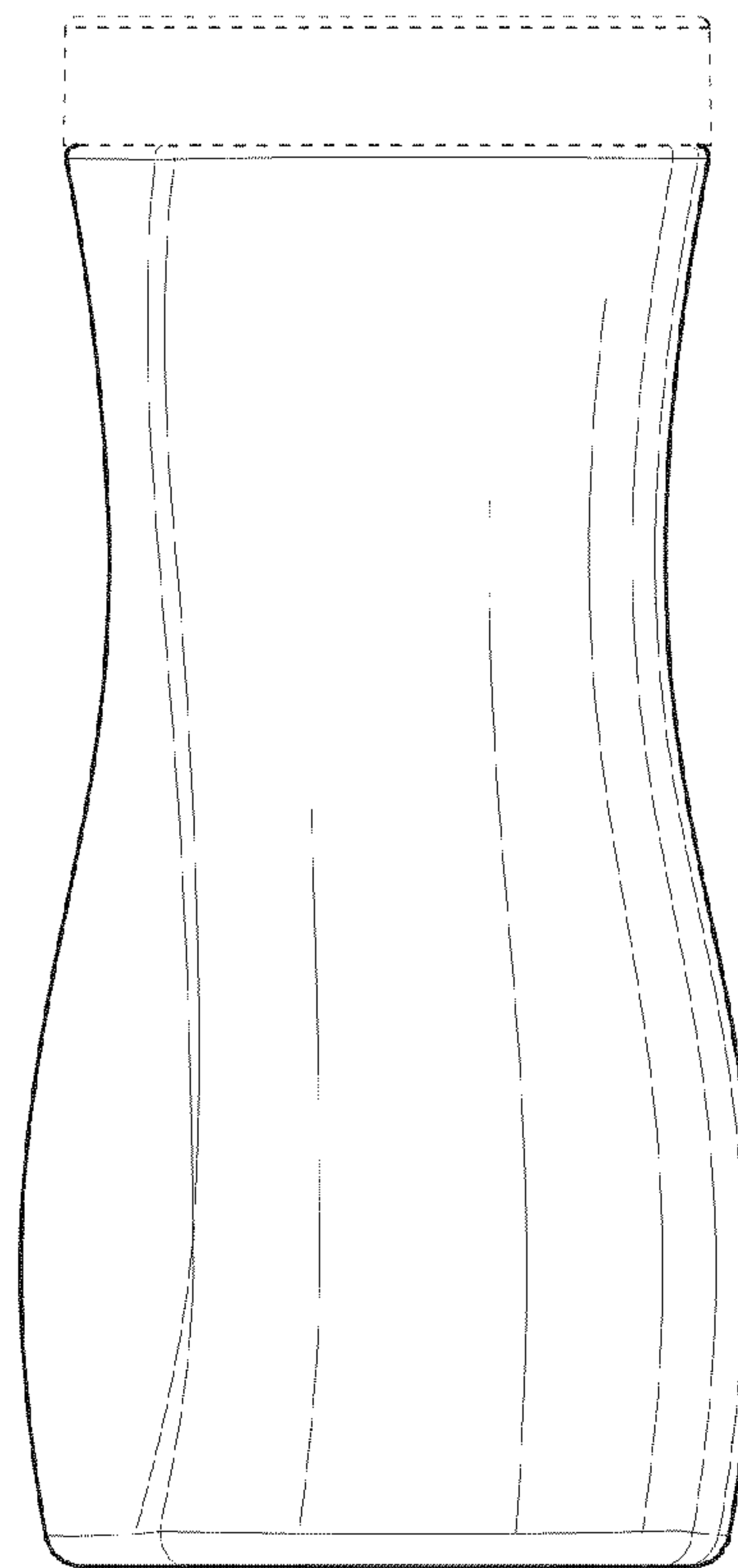


Fig. 30

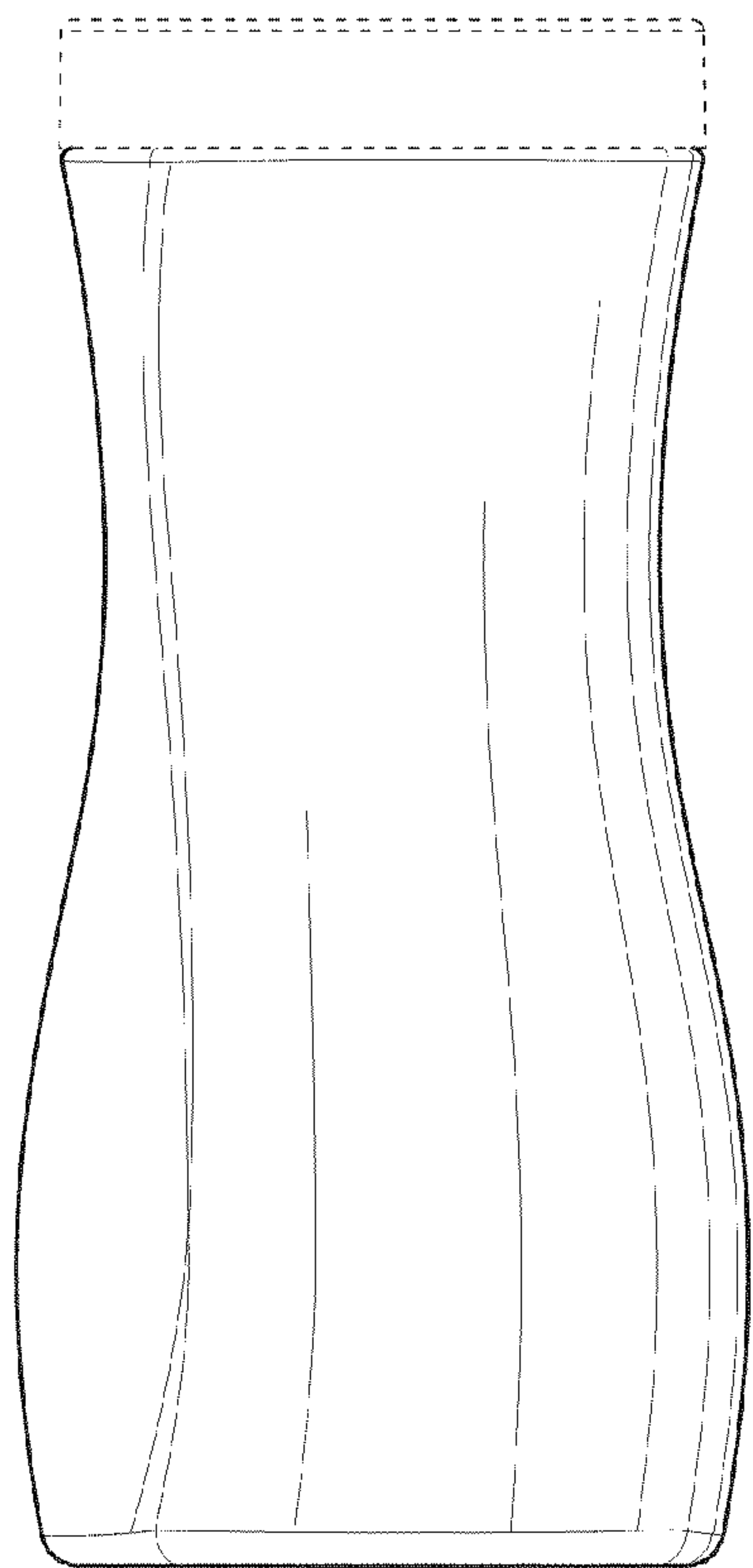


Fig. 31

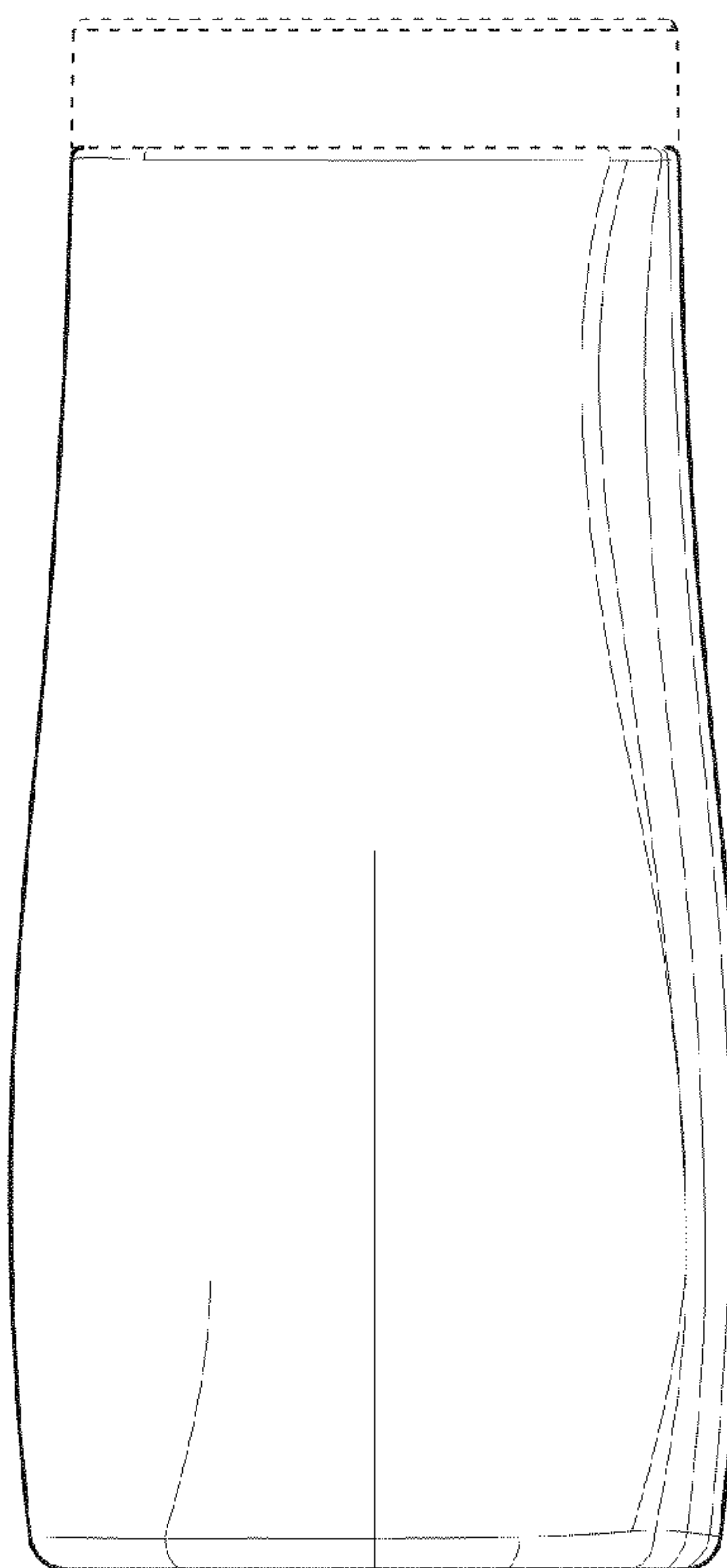


Fig. 32

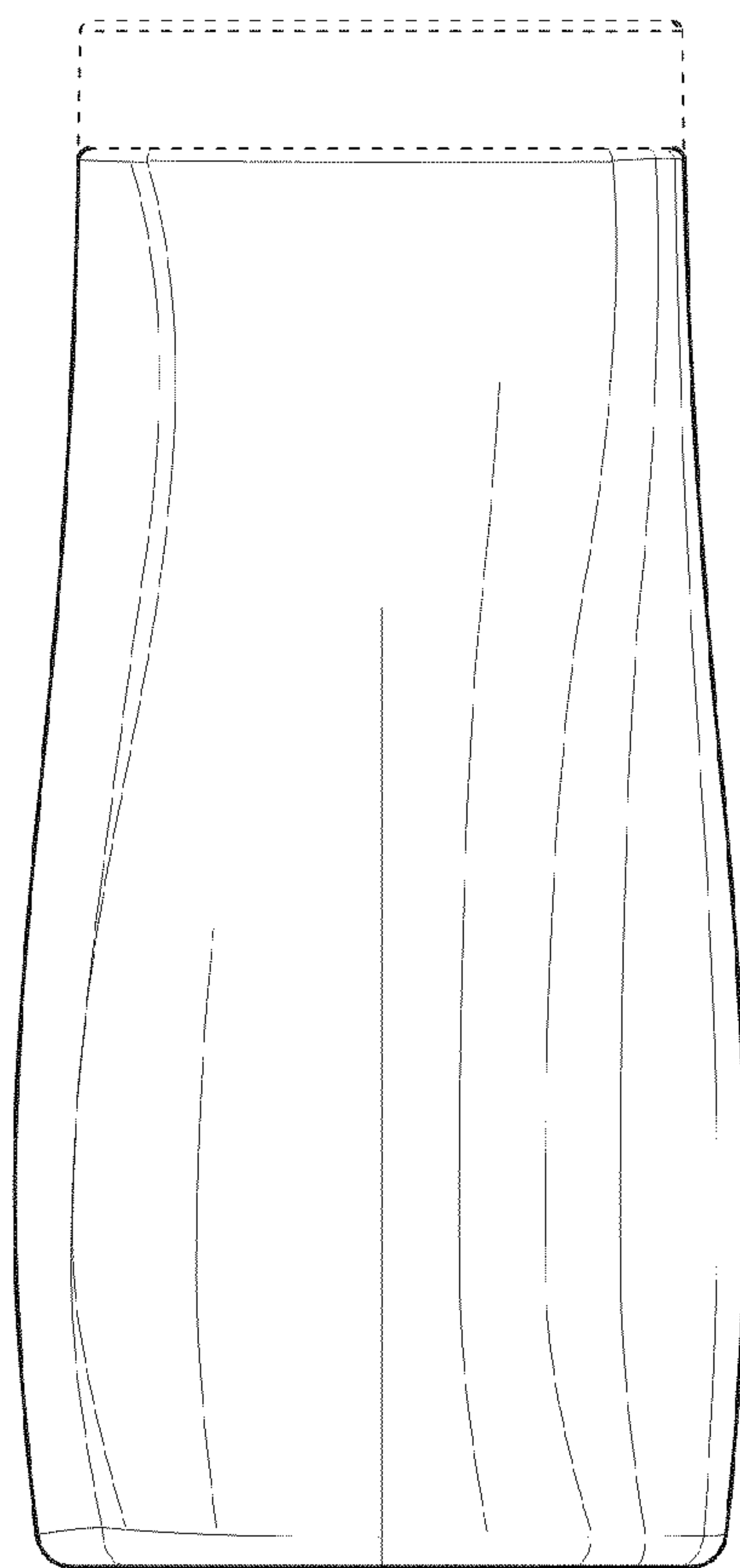


Fig. 33

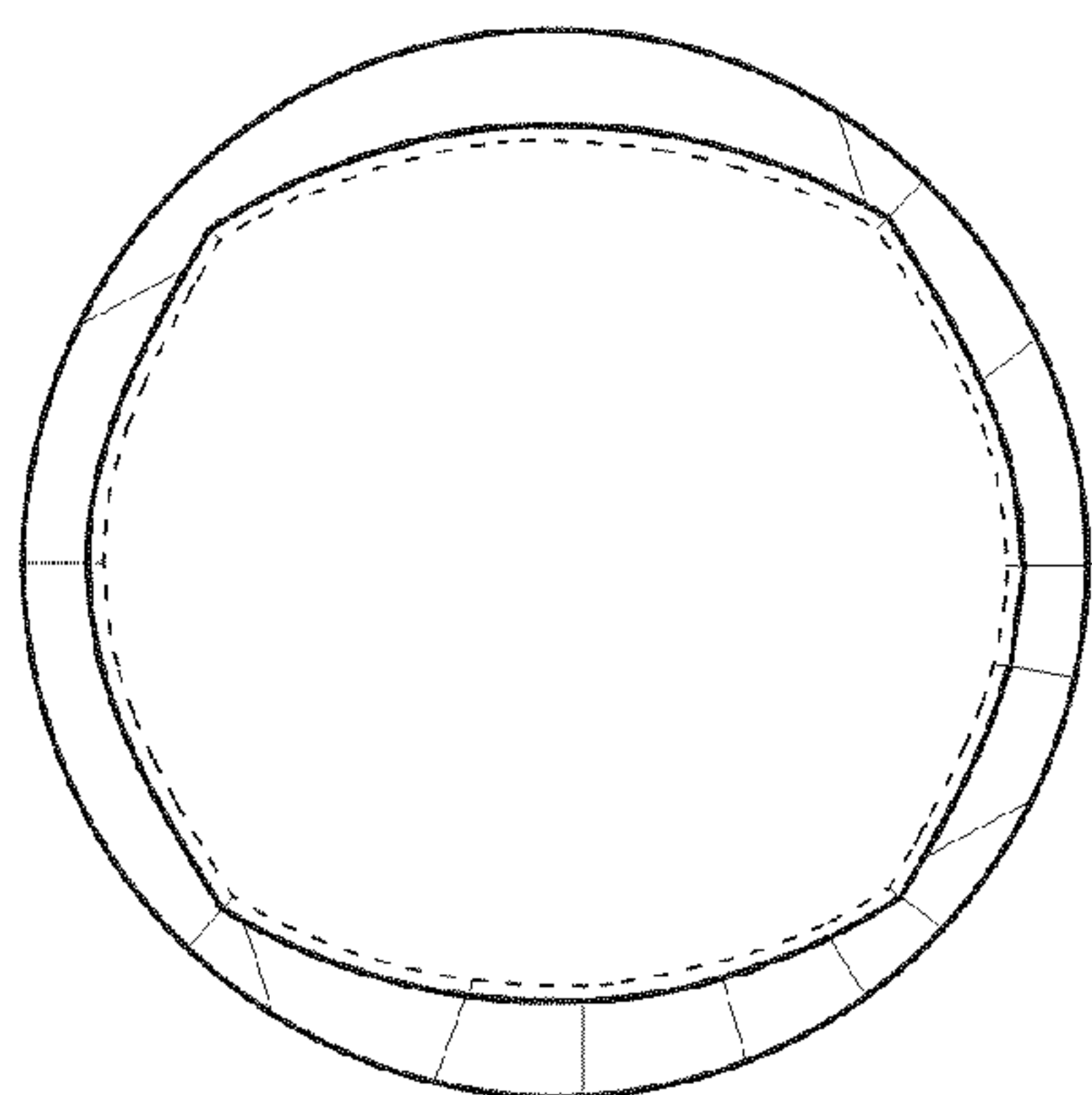


Fig. 34

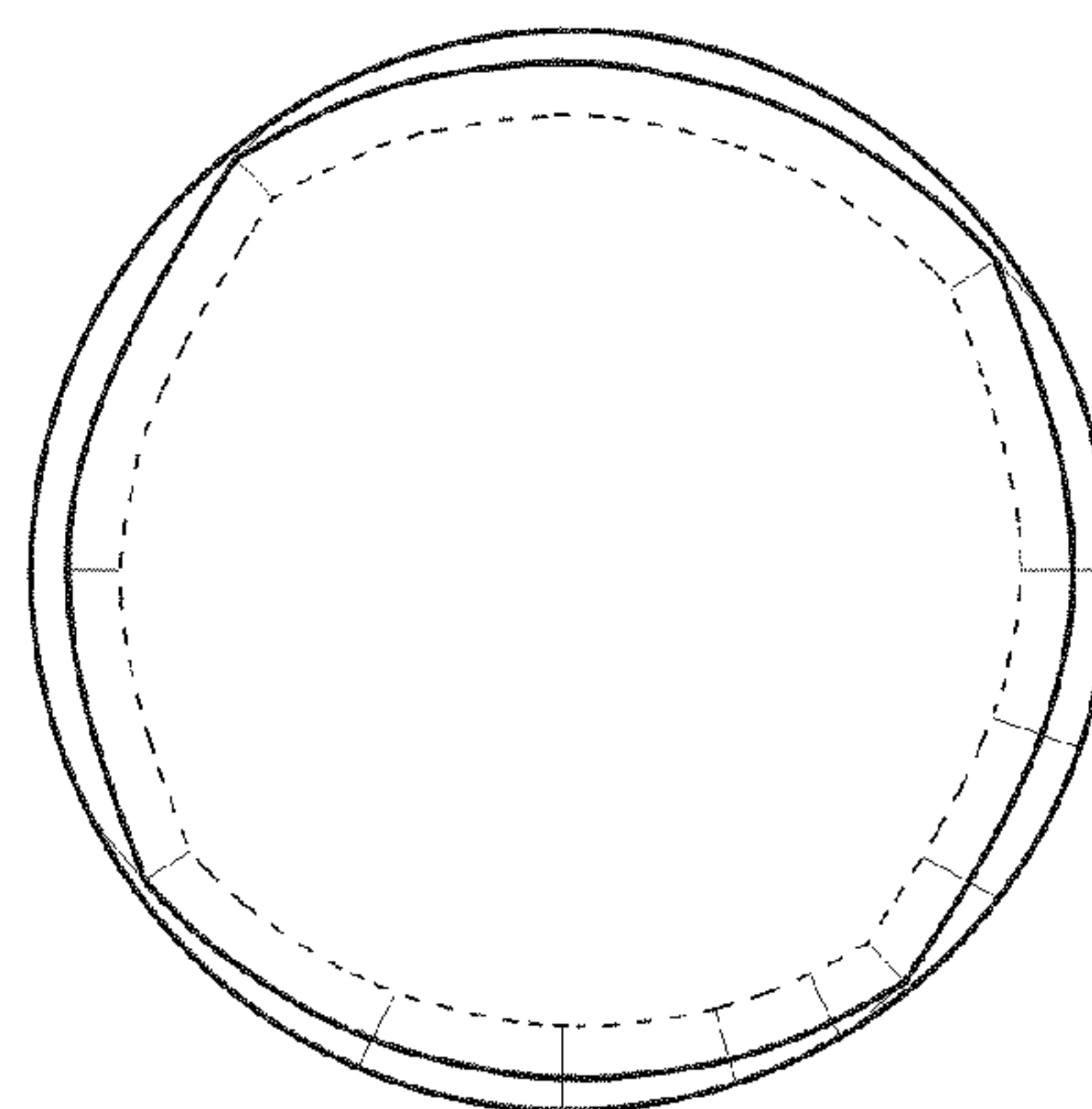


Fig. 35

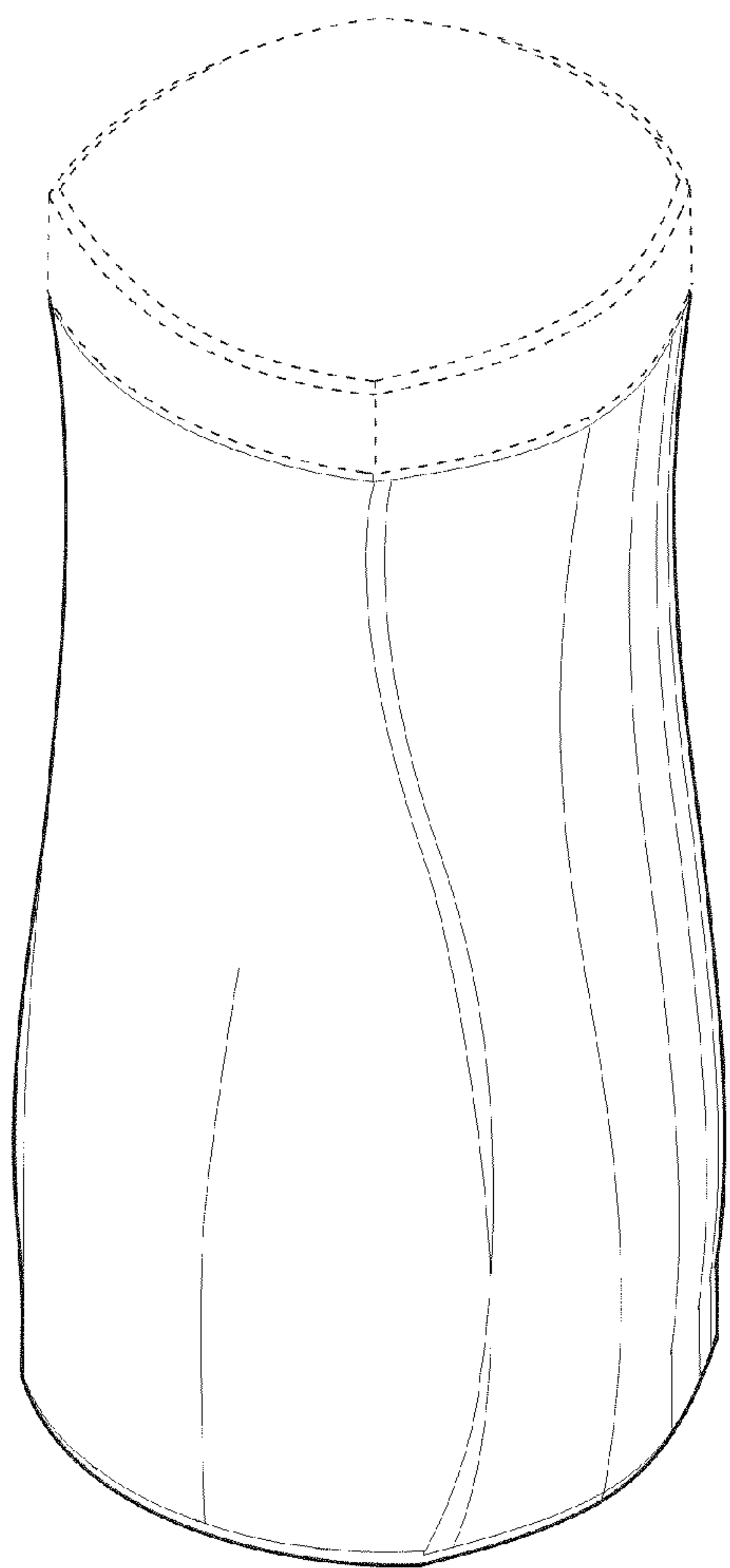


Fig. 36



Fig. 37

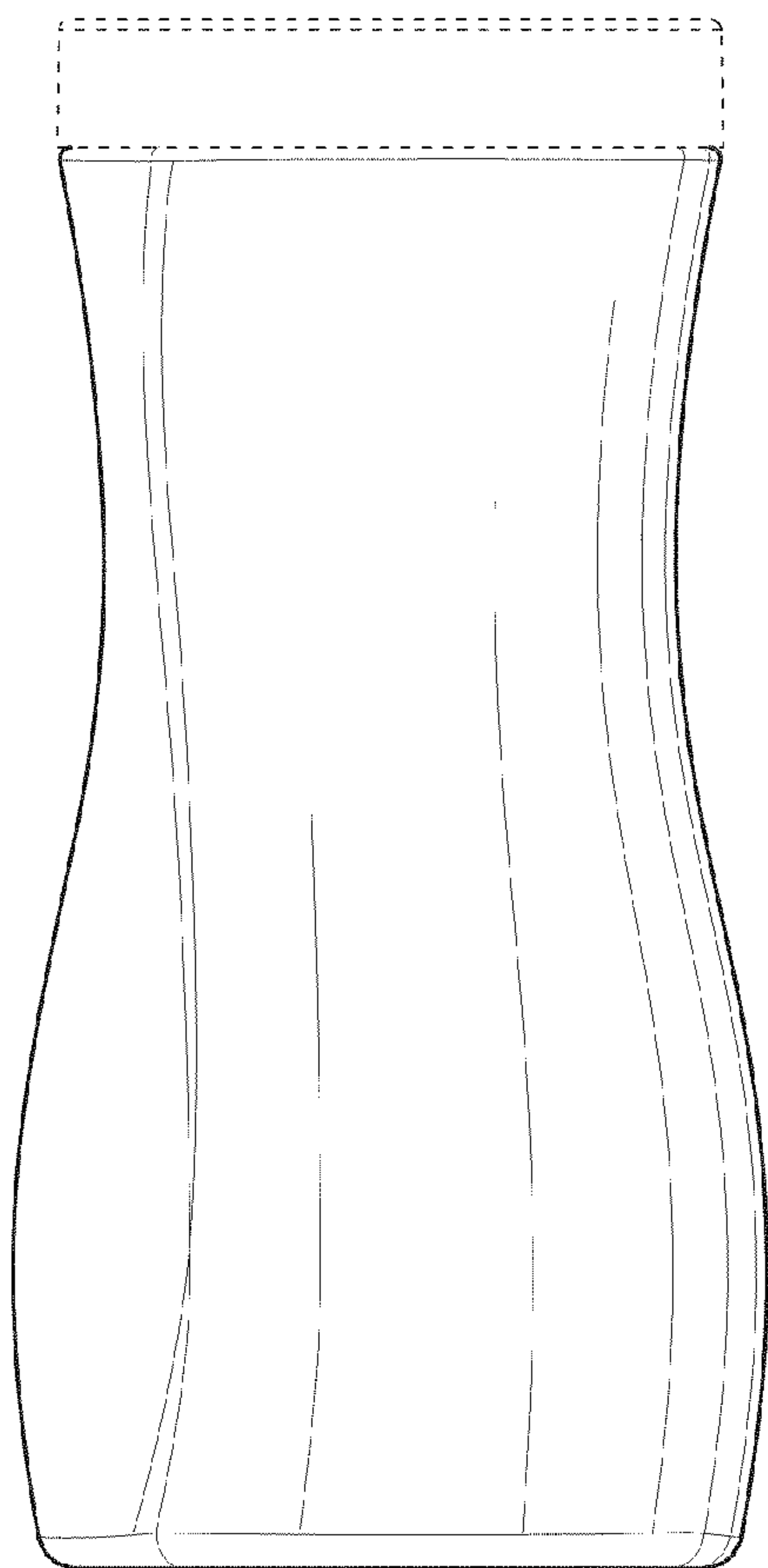


Fig. 38

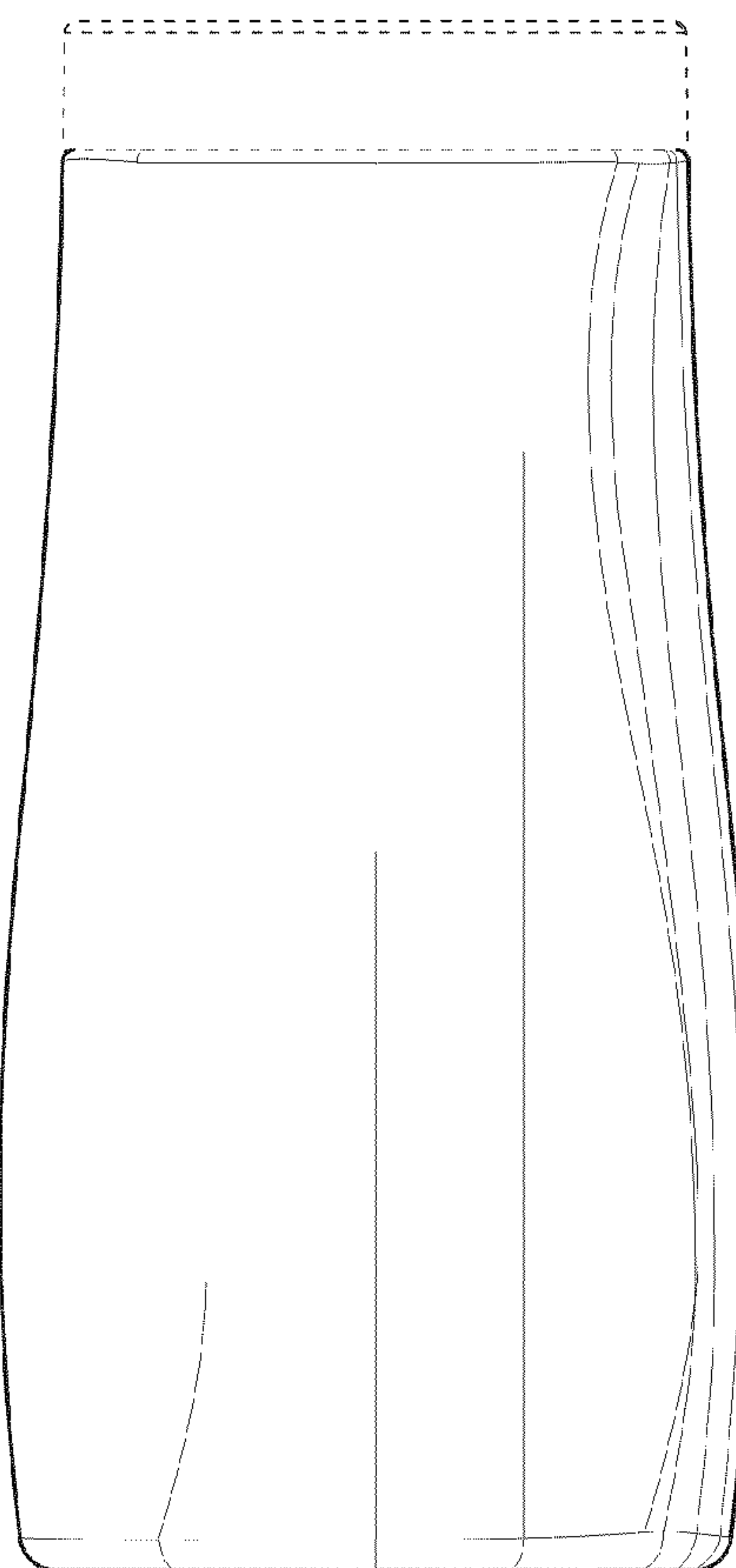


Fig. 39

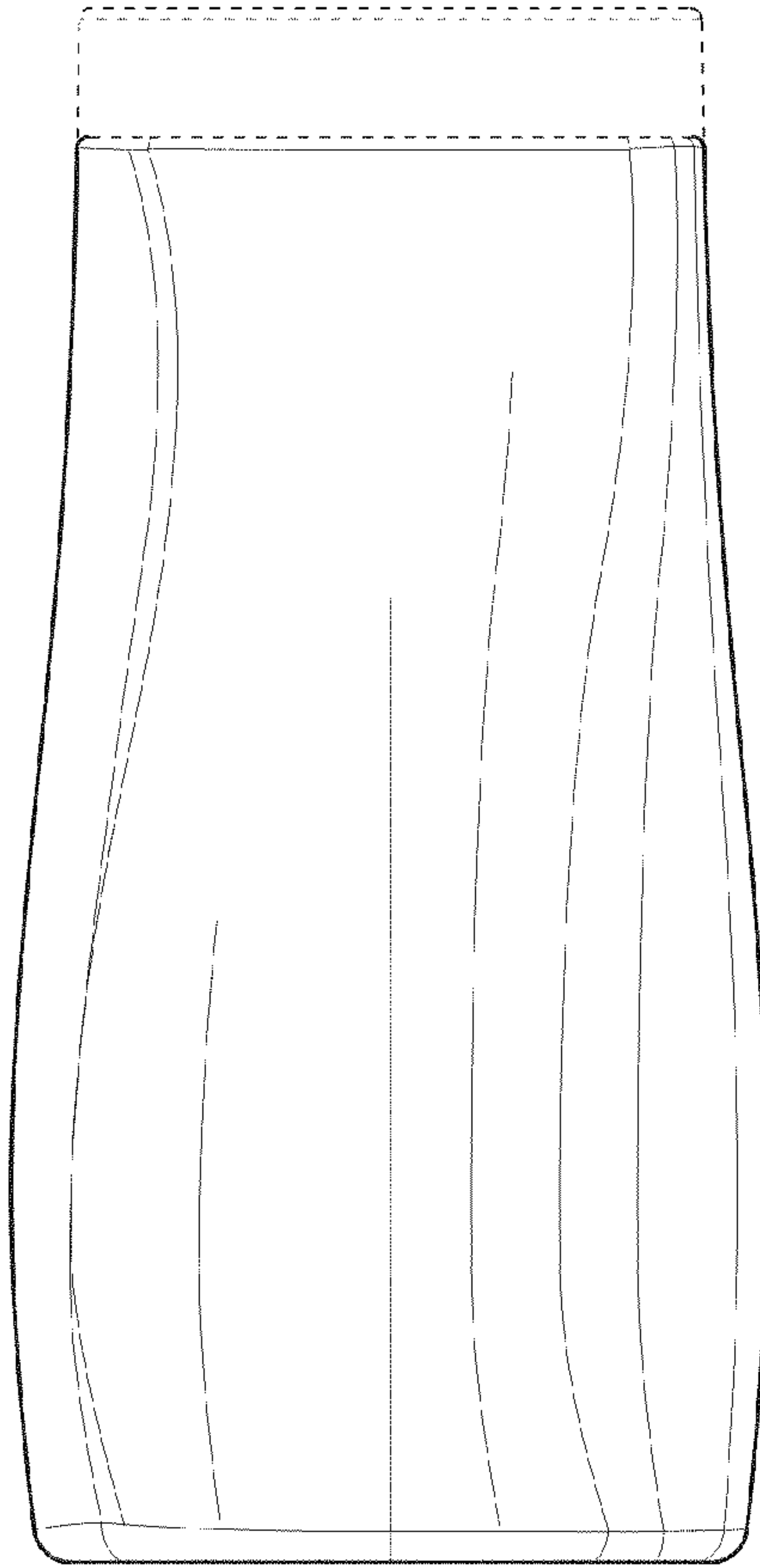


Fig. 40

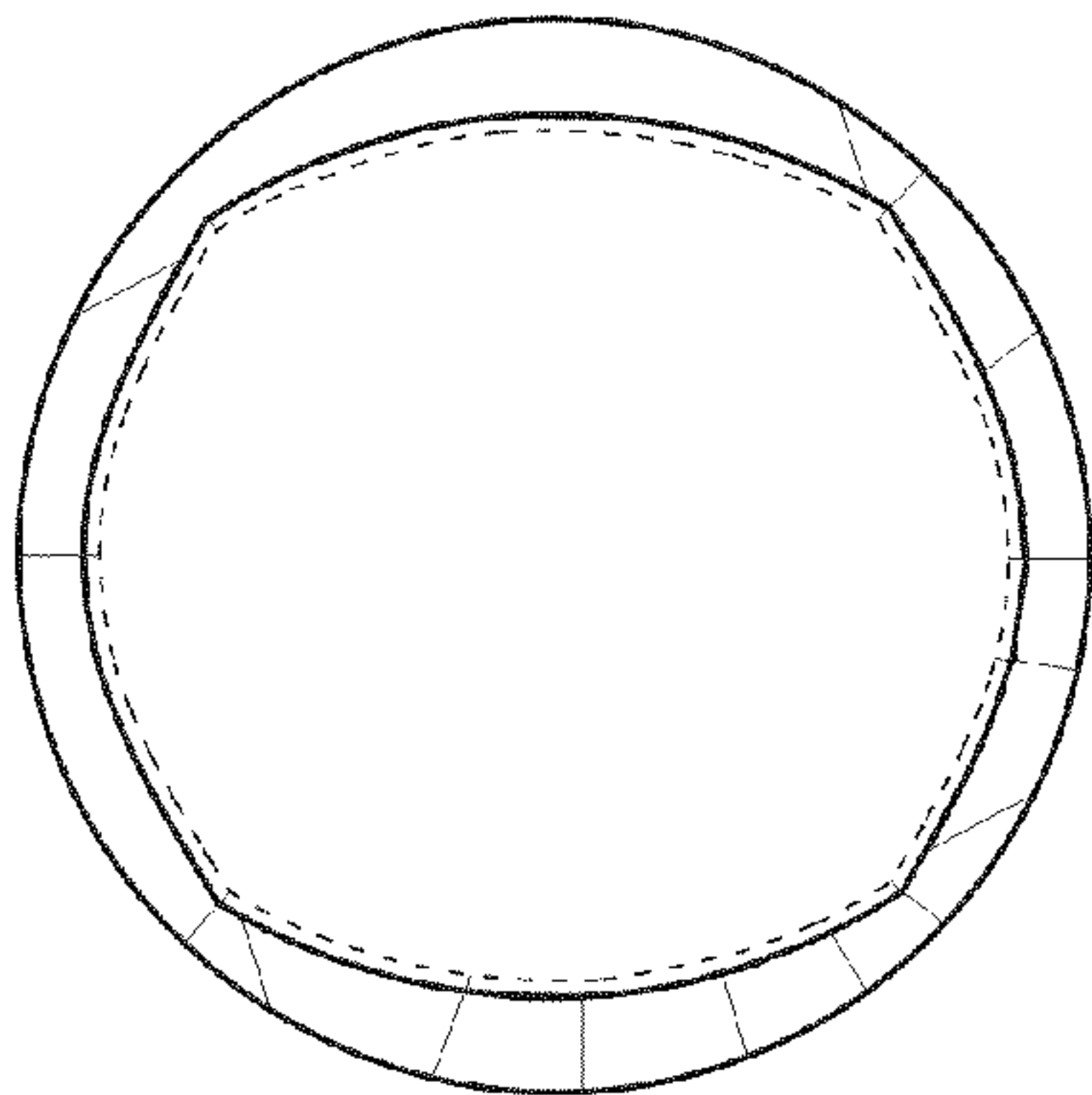


Fig. 41

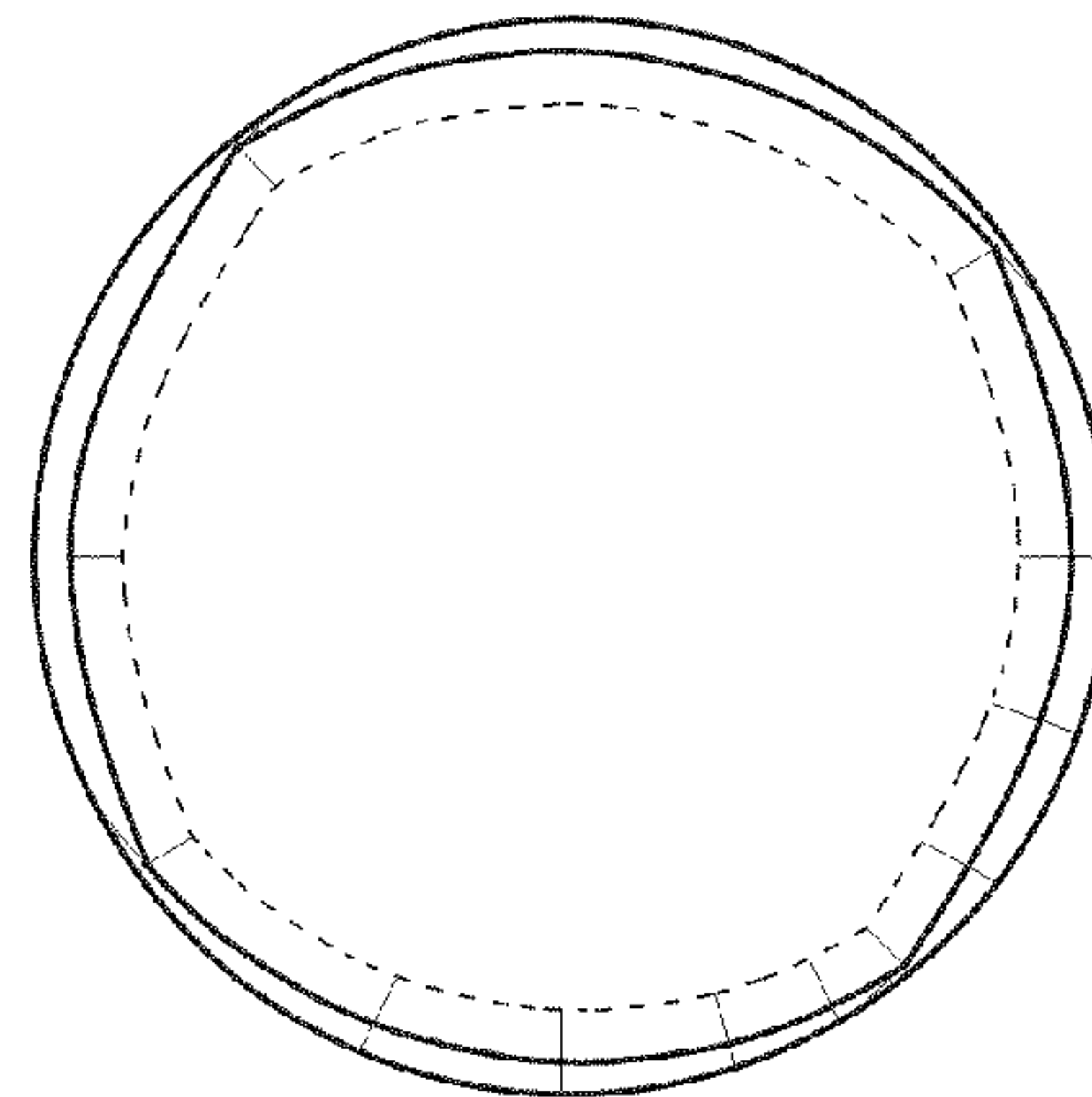


Fig. 42

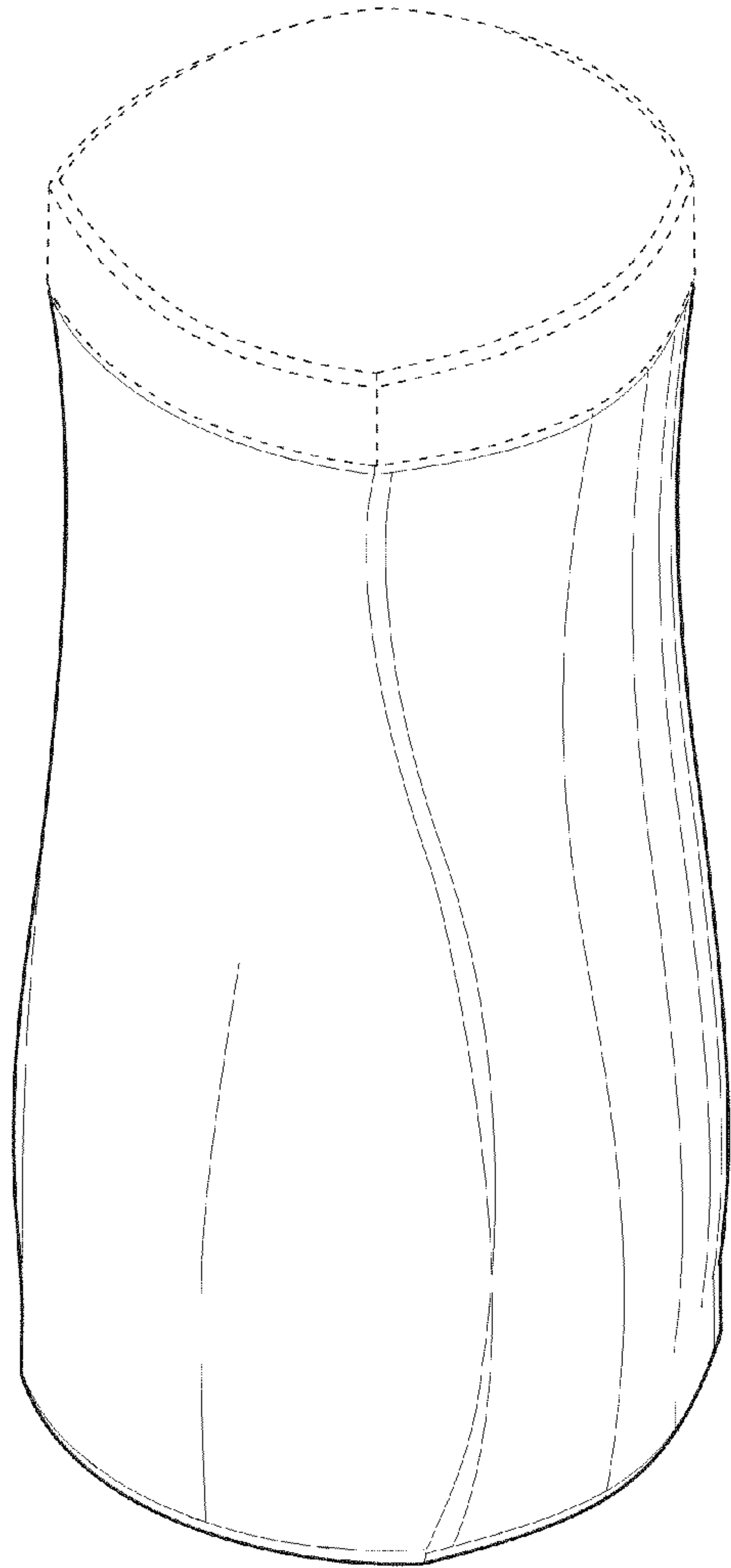


Fig. 43



Fig. 44

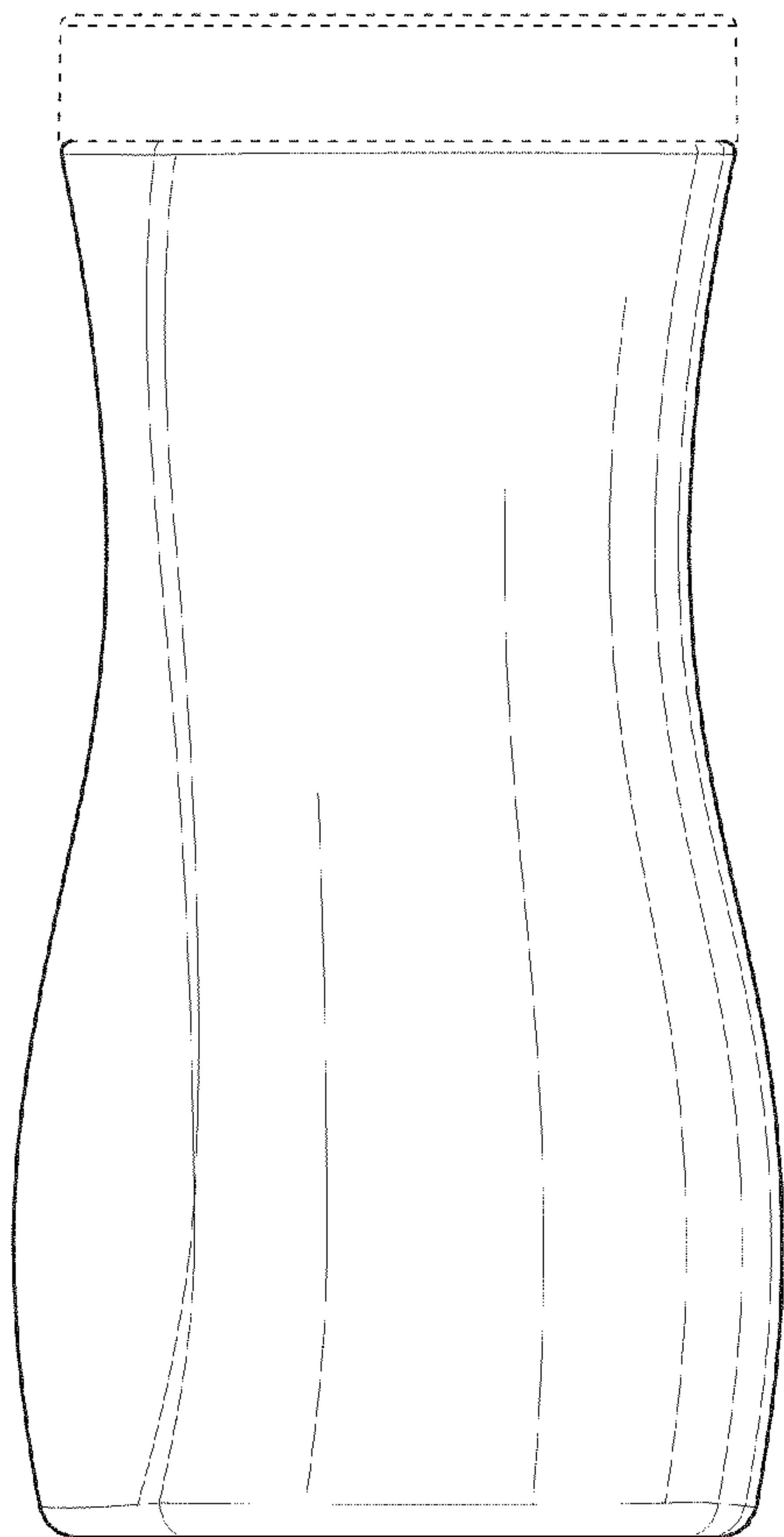


Fig. 45

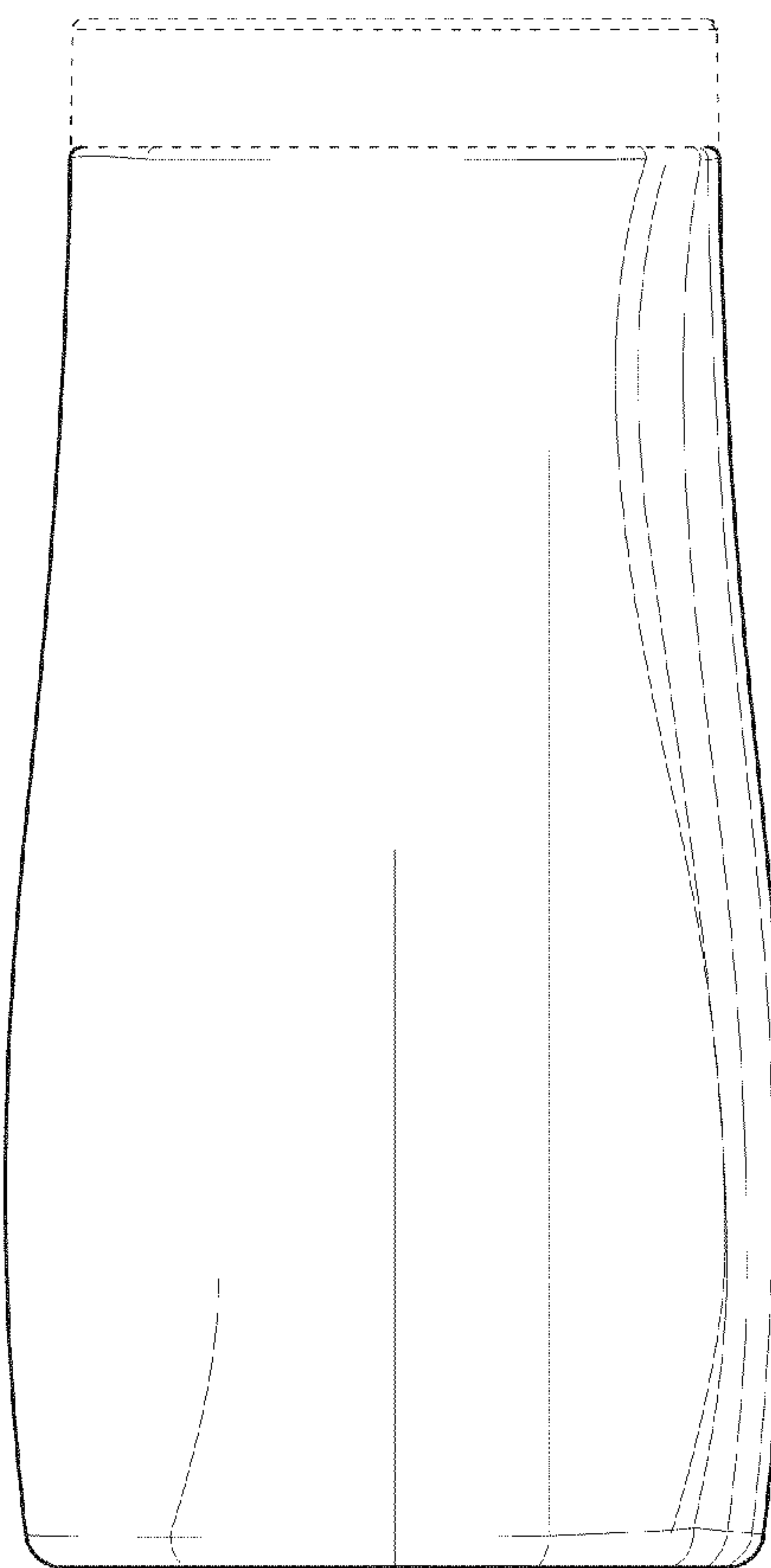


Fig. 46

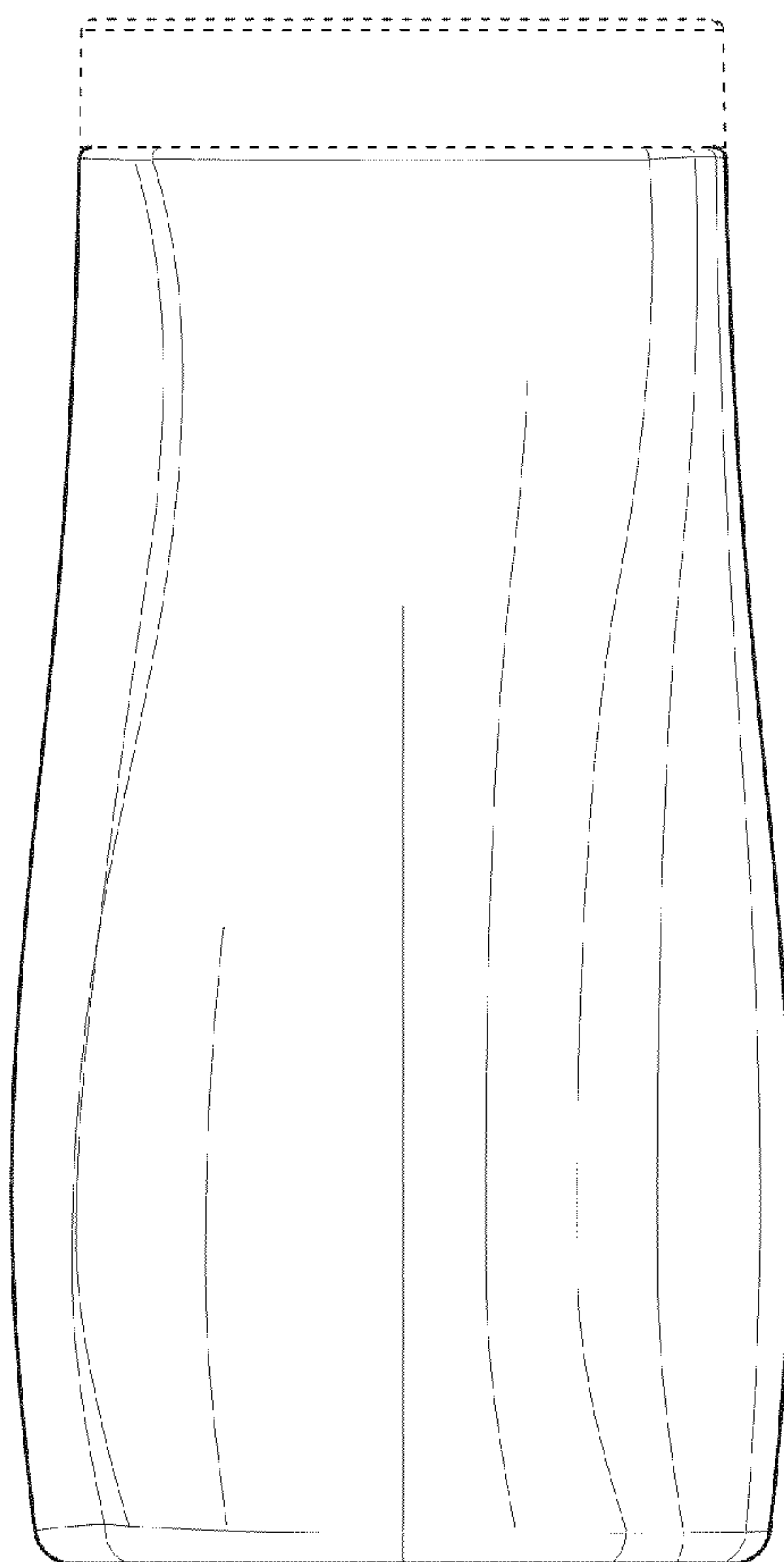


Fig. 47

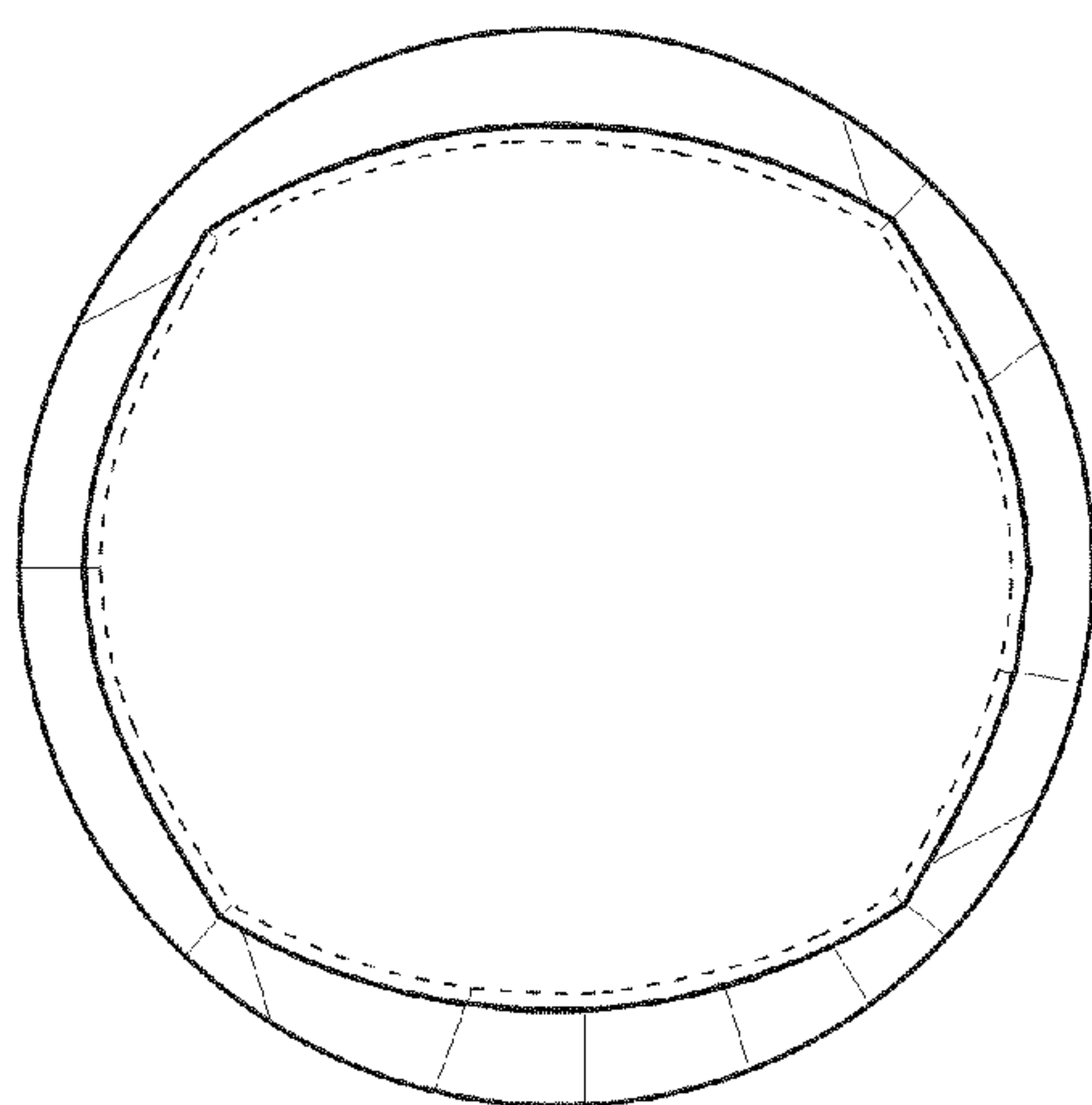


Fig. 48

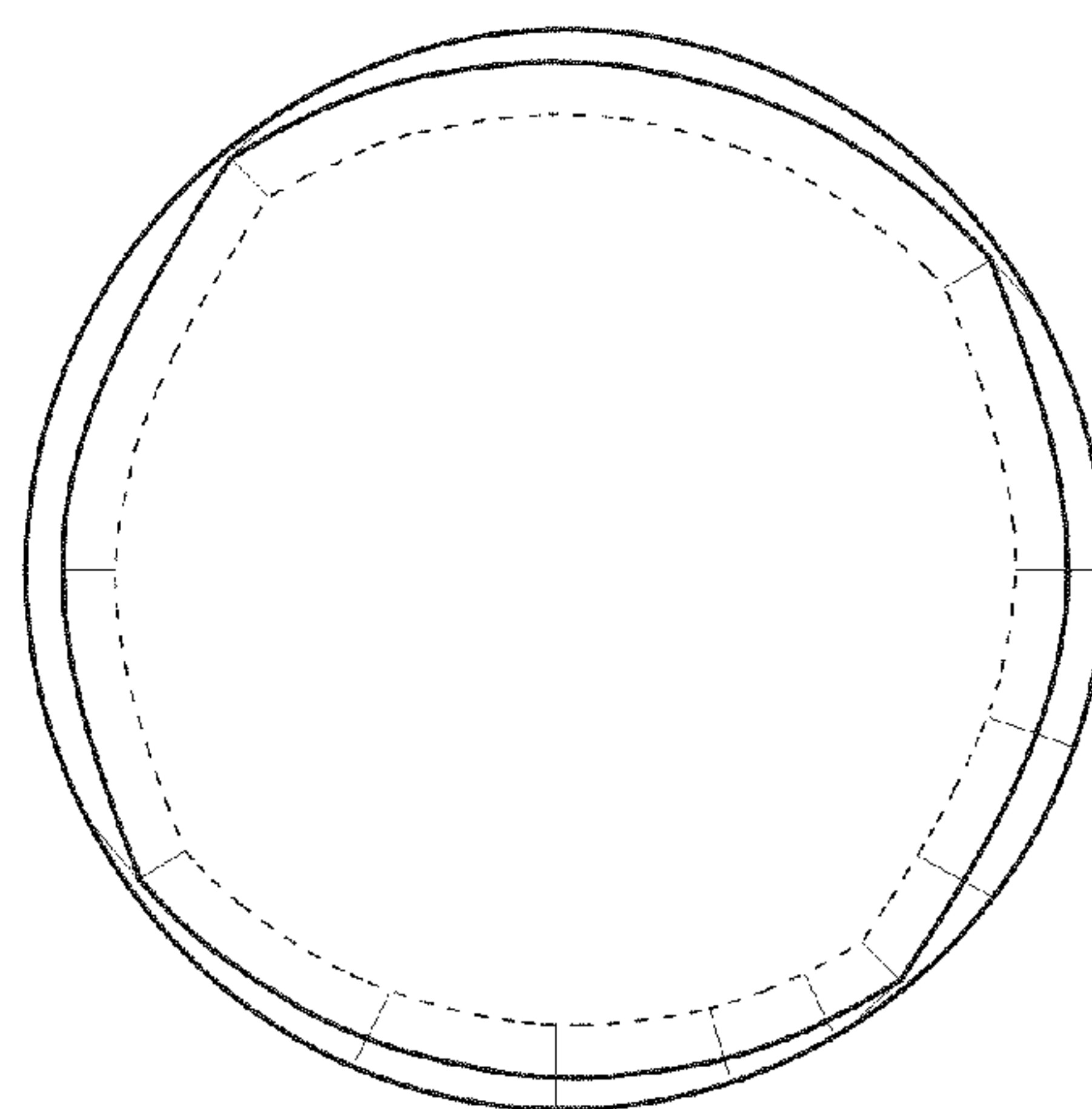


Fig. 49