



US00D650285S

(12) **United States Design Patent**
Smith et al.

(10) **Patent No.:** **US D650,285 S**
(45) **Date of Patent:** **** Dec. 13, 2011**

(54) **BOTTLE FOR CONTAINING FLUIDS**
(75) Inventors: **Christopher Lawrence Smith**, Liberty, OH (US); **Corey Michael Bischoff**, Cincinnati, OH (US); **Stephan James Andreas Meschkat**, Bad Soden (DE); **Benjamin Janes Beck**, Boston, MA (US); **Douglas Arthur Marsden**, Marblehead, MA (US)

(73) Assignee: **The Procter & Gamble Company**, Cincinnati, OH (US)

(**) Term: **14 Years**

(21) Appl. No.: **29/378,647**

(22) Filed: **Nov. 8, 2010**

Related U.S. Application Data

(60) Continuation of application No. 29/365,006, filed on Jul. 1, 2010, now Pat. No. Des. 628,896, which is a division of application No. 29/354,142, filed on Jan. 20, 2010, now Pat. No. Des. 621,266.

(51) **LOC (9) Cl.** **09-01**

(52) **U.S. Cl.** **D9/542; D9/516**

(58) **Field of Classification Search** D9/516, D9/522, 529, 530, 541-543, 434-436, 438, D9/440, 444, 445, 447; 215/381-385; 220/662, 220/669

See application file for complete search history.

(56) **References Cited**

U.S. PATENT DOCUMENTS

D117,620 S *	11/1939	Manoha	D9/542
D294,183 S *	2/1988	Hiesse	D28/7
D302,659 S *	8/1989	Peterson et al.	D9/529
D341,315 S *	11/1993	Seymour	D9/529
D351,105 S *	10/1994	Grip	D9/529
D386,973 S *	12/1997	Stoecker	D9/542
D491,799 S *	6/2004	Palomino, Jr.	D9/520
D543,850 S *	6/2007	Legros	D9/522

D558,587 S *	1/2008	Gibson et al.	D9/571
D561,599 S *	2/2008	Gibson et al.	D9/571
D574,248 S *	8/2008	Baraky et al.	D9/529

(Continued)

FOREIGN PATENT DOCUMENTS

CA 129897 12/2009

(Continued)

OTHER PUBLICATIONS

U.S. Appl. No. 29/354,142, filed Jan. 20, 2010, Smith, et al.

(Continued)

Primary Examiner — Stella Reid

Assistant Examiner — Keli L Hill

(74) *Attorney, Agent, or Firm* — Julia A. Glazer; Marianne Dressman; Leonard W. Lewis

(57) **CLAIM**

The ornamental design for a bottle for containing fluids, as shown and described.

DESCRIPTION

FIG. 1 is a perspective view of a bottle for containing fluids. FIG. 2 is a rear view of the bottle for containing fluids shown in FIG. 1.

FIG. 3 is a left side view of the bottle for containing fluids shown in FIG. 1, the right side view of the bottle for containing fluids being the mirror image of FIG. 3.

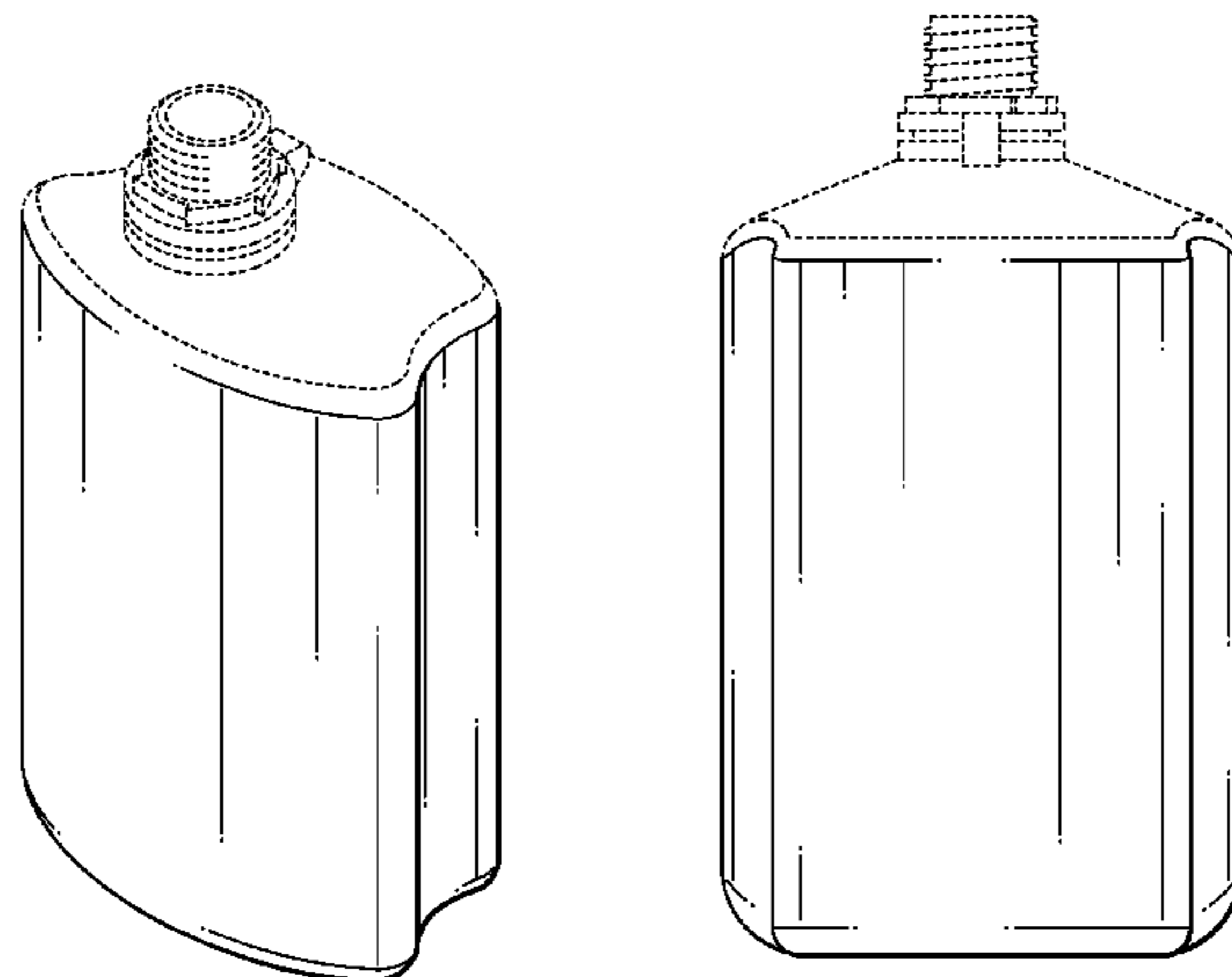
FIG. 4 is a front view of the bottle for containing fluids shown in FIG. 1.

FIG. 5 is a top view of the bottle for containing fluids shown in FIG. 1; and,

FIG. 6 is a bottom view of the bottle for containing fluids shown in FIG. 1.

The broken line showing of environmental structure in the drawings is for illustrative purposes only and forms no part of the claimed design.

1 Claim, 2 Drawing Sheets



US D650,285 S

Page 2

U.S. PATENT DOCUMENTS

D614,958 S 5/2010 Smith et al.
D622,598 S * 8/2010 Smith et al. D9/542
D628,896 S * 12/2010 Smith et al. D9/542
2011/0042399 A1* 2/2011 Schroeder 220/669

FOREIGN PATENT DOCUMENTS

CA 133040 12/2009
CA 133041 12/2009

CA 133042 12/2009
CA 133043 12/2009
CA 133044 12/2009

OTHER PUBLICATIONS

U.S. Appl. No. 29/365,006, filed Jul. 1, 2010, Smith, et al.

* cited by examiner

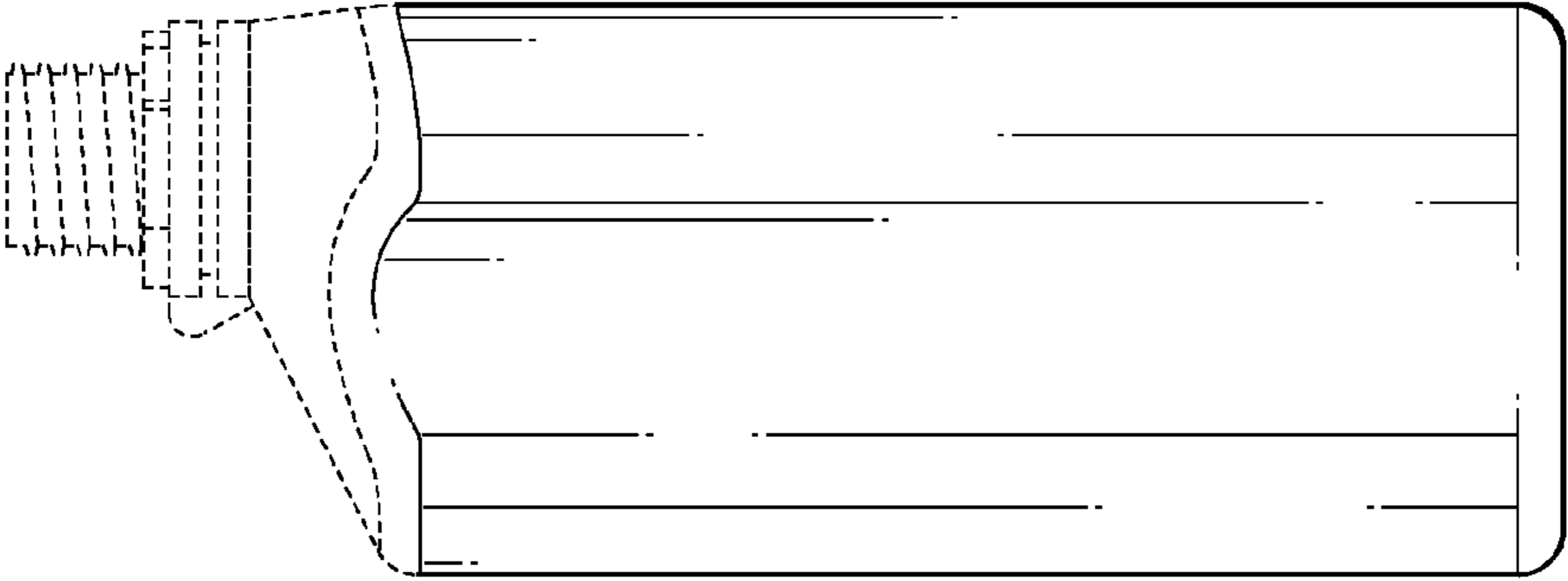


FIG. 1

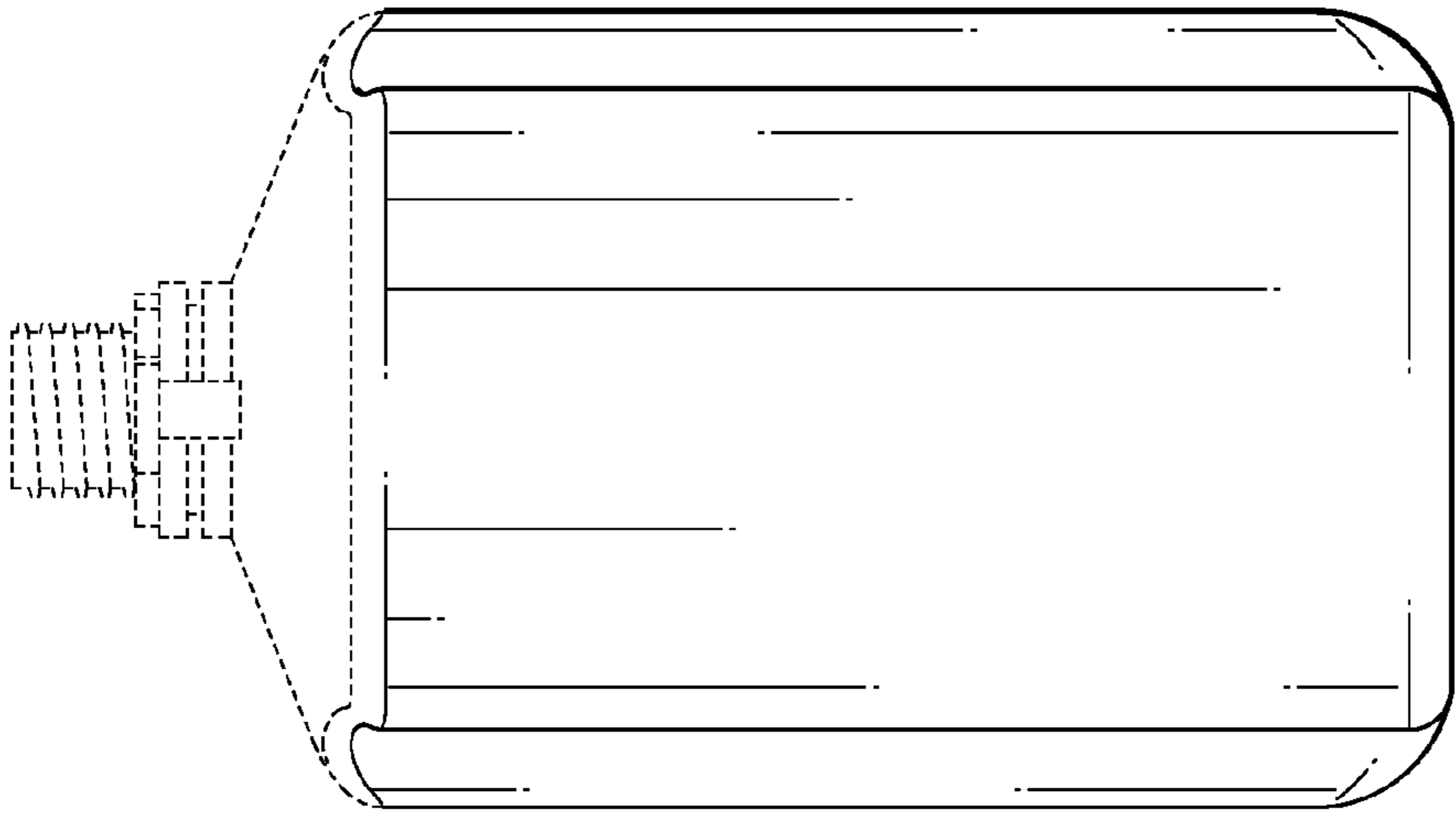


FIG. 2

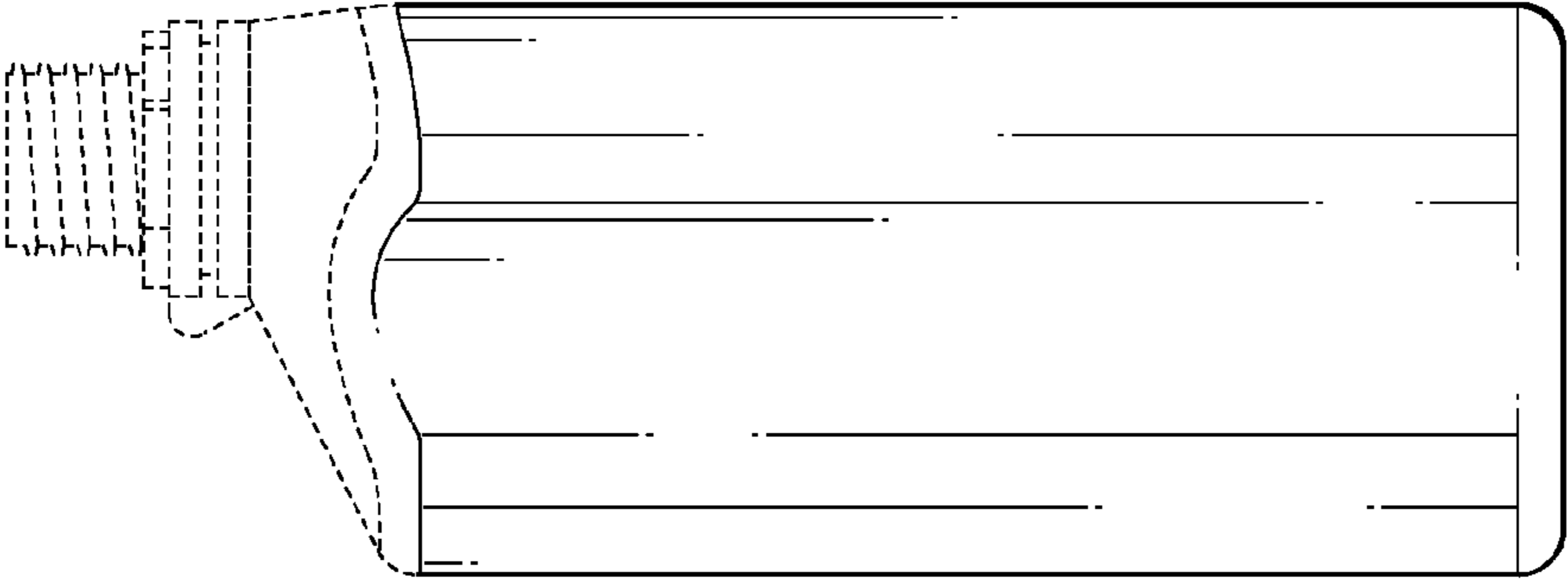


FIG. 3

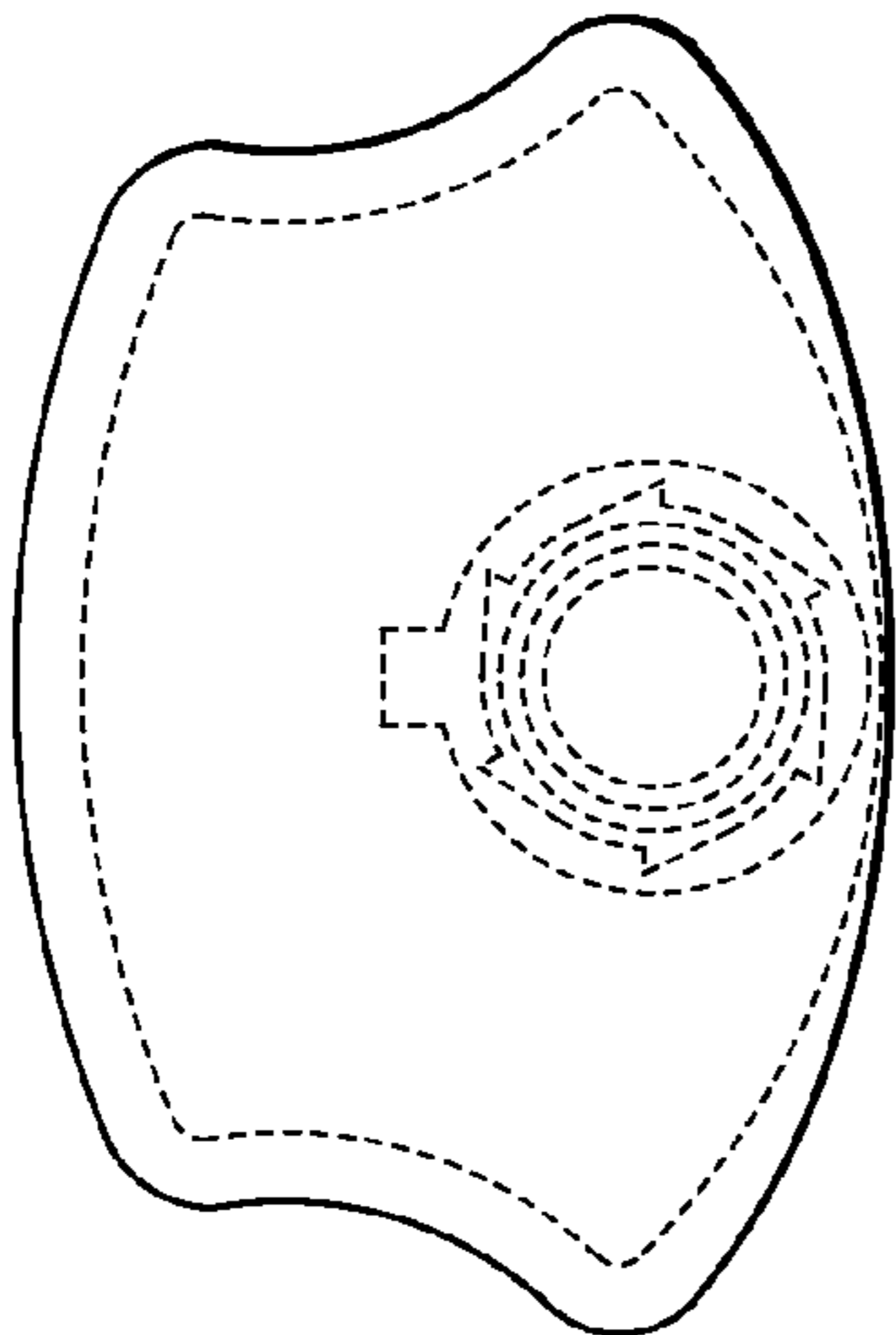


FIG. 5

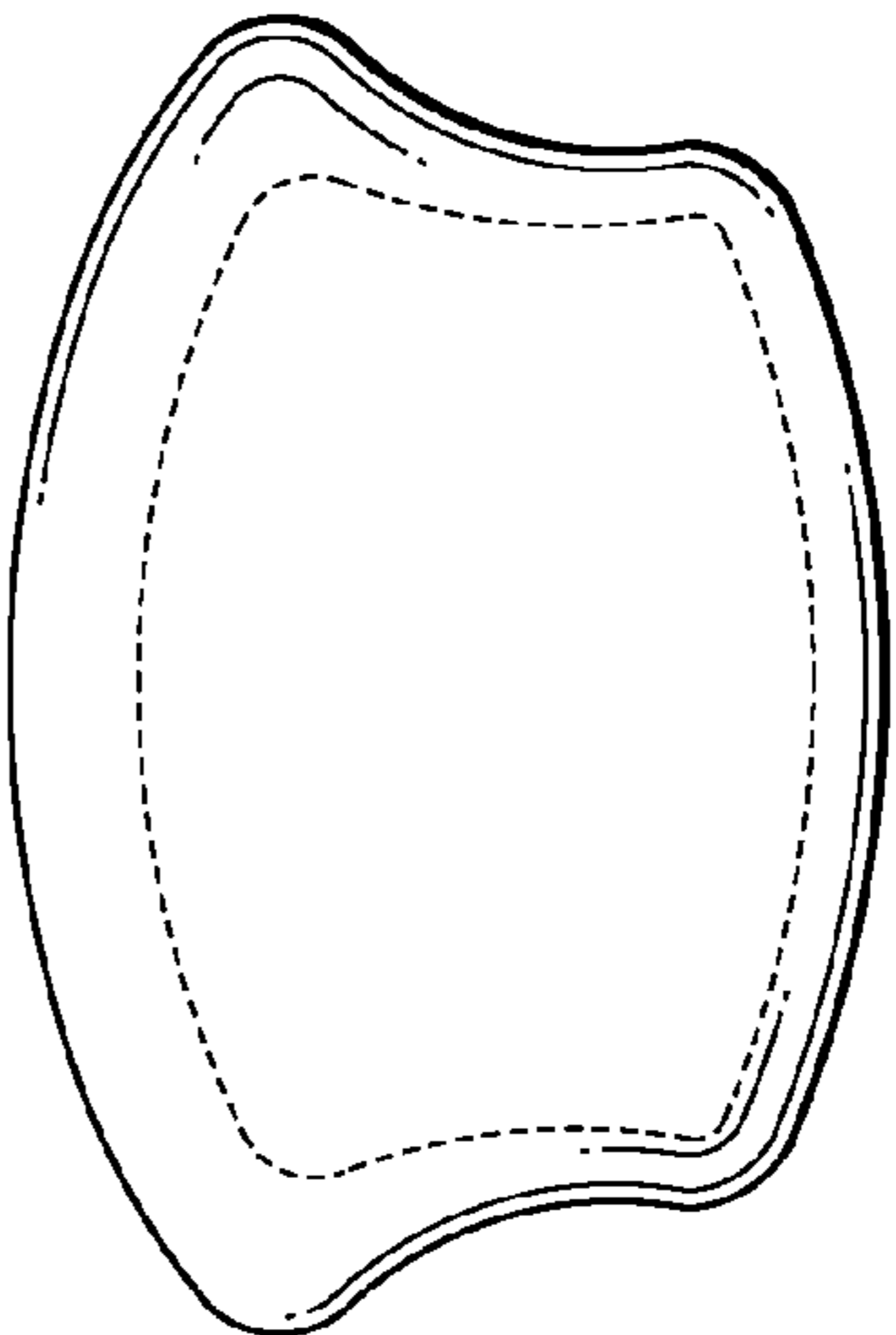


FIG. 6

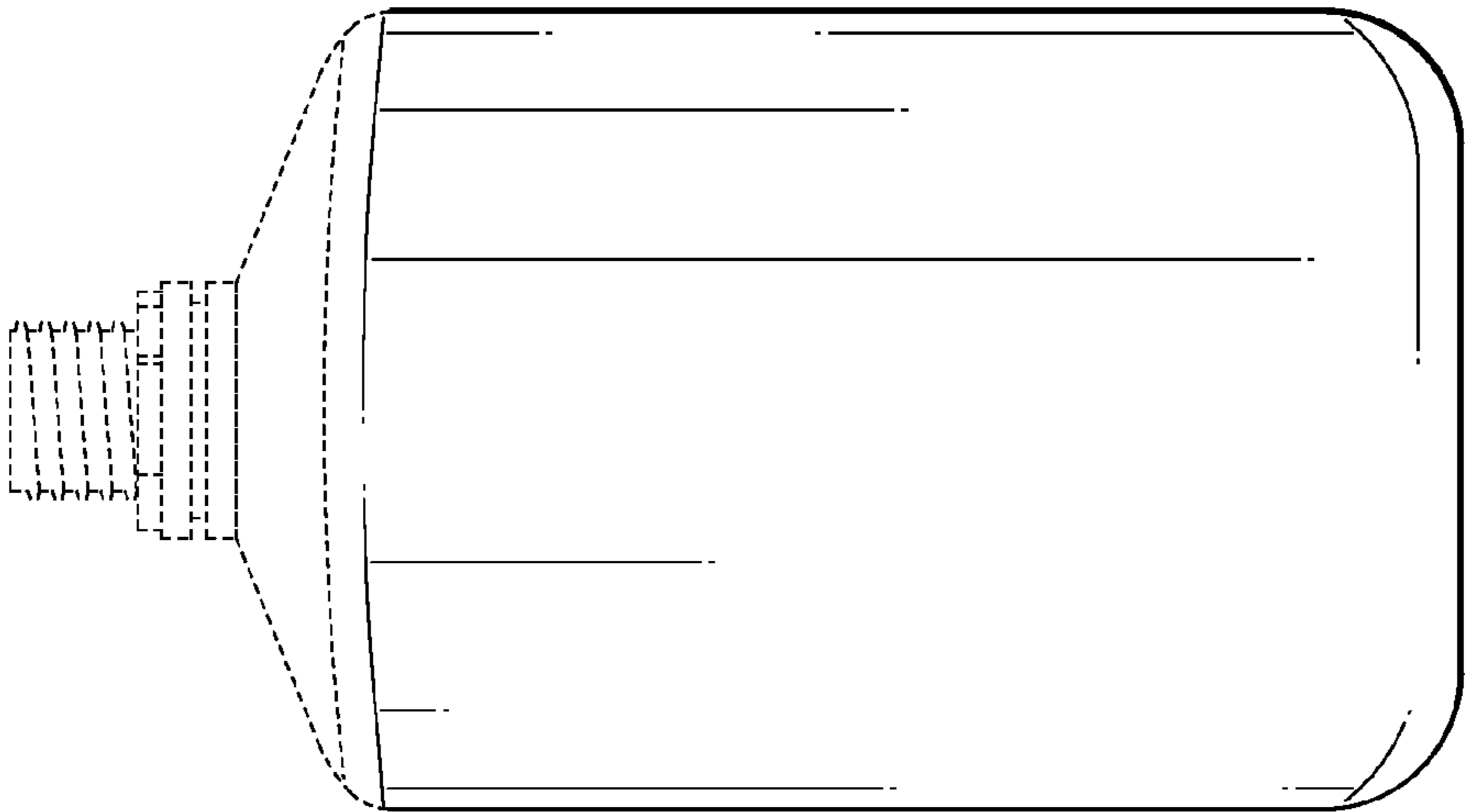


FIG. 4