



US00D650280S

(12) **United States Design Patent**  
**de Peyerimhoff et al.**

(10) **Patent No.:** **US D650,280 S**

(45) **Date of Patent:** **\*\* Dec. 13, 2011**

(54) **CONTAINER**

(75) Inventors: **Antoine de Peyerimhoff**, Dion Valmont (BE); **Isabelle Leloup**, Dion Valmont (BE)

(73) Assignee: **Societe des Produits Marnier Lapostolle**, Paris (FR)

(\*\*) Term: **14 Years**

(21) Appl. No.: **29/370,610**

(22) Filed: **Aug. 10, 2010**

(51) **LOC (9) Cl.** ..... **09-01**

(52) **U.S. Cl.** ..... **D9/504; D9/454; D9/519**

(58) **Field of Classification Search** ..... D9/500,  
D9/502-505, 516, 519, 521, 549, 558, 574-575,  
D9/529, 547, 552; D7/589, 590-591, 596-597;  
D24/224; 215/379, 381-382; 220/660, 662,  
220/669-673, 675

See application file for complete search history.

(56) **References Cited**

**U.S. PATENT DOCUMENTS**

D49,555 S *	8/1916	Vivaudou	.....	D9/504
D74,335 S *	1/1928	Wilford	.....	D9/500
D112,545 S *	12/1938	Younghusband	.....	D9/504
2,981,431 A *	4/1961	Schluttig	.....	215/329
D230,954 S *	3/1974	Gregoriette	.....	D9/504
4,703,872 A *	11/1987	Cornette et al.	.....	222/158
D319,781 S *	9/1991	Halm et al.	.....	D32/29.1
D354,441 S *	1/1995	Fontanella	.....	D9/504
D367,207 S *	2/1996	Lutzker	.....	D7/591
D465,733 S *	11/2002	Hill	.....	D9/519
D478,813 S *	8/2003	Beene	.....	D9/519
D492,403 S *	6/2004	Iddan et al.	.....	D24/104
D529,397 S *	10/2006	Lavigne et al.	.....	D9/689
D536,081 S *	1/2007	Steinel	.....	D23/366
D564,900 S *	3/2008	Green et al.	.....	D9/715
D592,064 S *	5/2009	Kilany	.....	D9/519
D612,245 S *	3/2010	Canamasas Puigbo	.....	D9/519

\* cited by examiner

*Primary Examiner* — Richard E Chilcot

*Assistant Examiner* — Dana L Sipos

(74) *Attorney, Agent, or Firm* — Fross Zelnick Lehrman & Zissu, P.C.; Charles T. J. Weigell, Esq.

(57) **CLAIM**

The ornamental design for a container, as shown and described.

**DESCRIPTION**

FIG. 1 is a front perspective view of a container, showing my new design.

FIG. 2 is a front view of the container shown in FIG. 1, with top;

FIG. 3 is a rear view of the container shown in FIG. 1, with top;

FIG. 4 is a top view of the container shown in FIG. 1, with top;

FIG. 5 is a bottom view of the container shown in FIG. 1;

FIG. 6 is a top view of the top of the container shown in FIG. 1;

FIG. 7 is a bottom view of the top of the container shown in FIG. 1;

FIG. 8 is a front perspective view of the container shown in FIG. 1, without top;

FIG. 9 is a front perspective view of an alternative embodiment of the container shown in FIG. 1, with top;

FIG. 10 is a front view of the alternative embodiment of the container shown in FIG. 9, with top;

FIG. 11 is a rear view of the alternative embodiment of the container shown in FIG. 9, with top;

FIG. 12 is a top view of the alternative embodiment of the container shown in FIG. 9, with top;

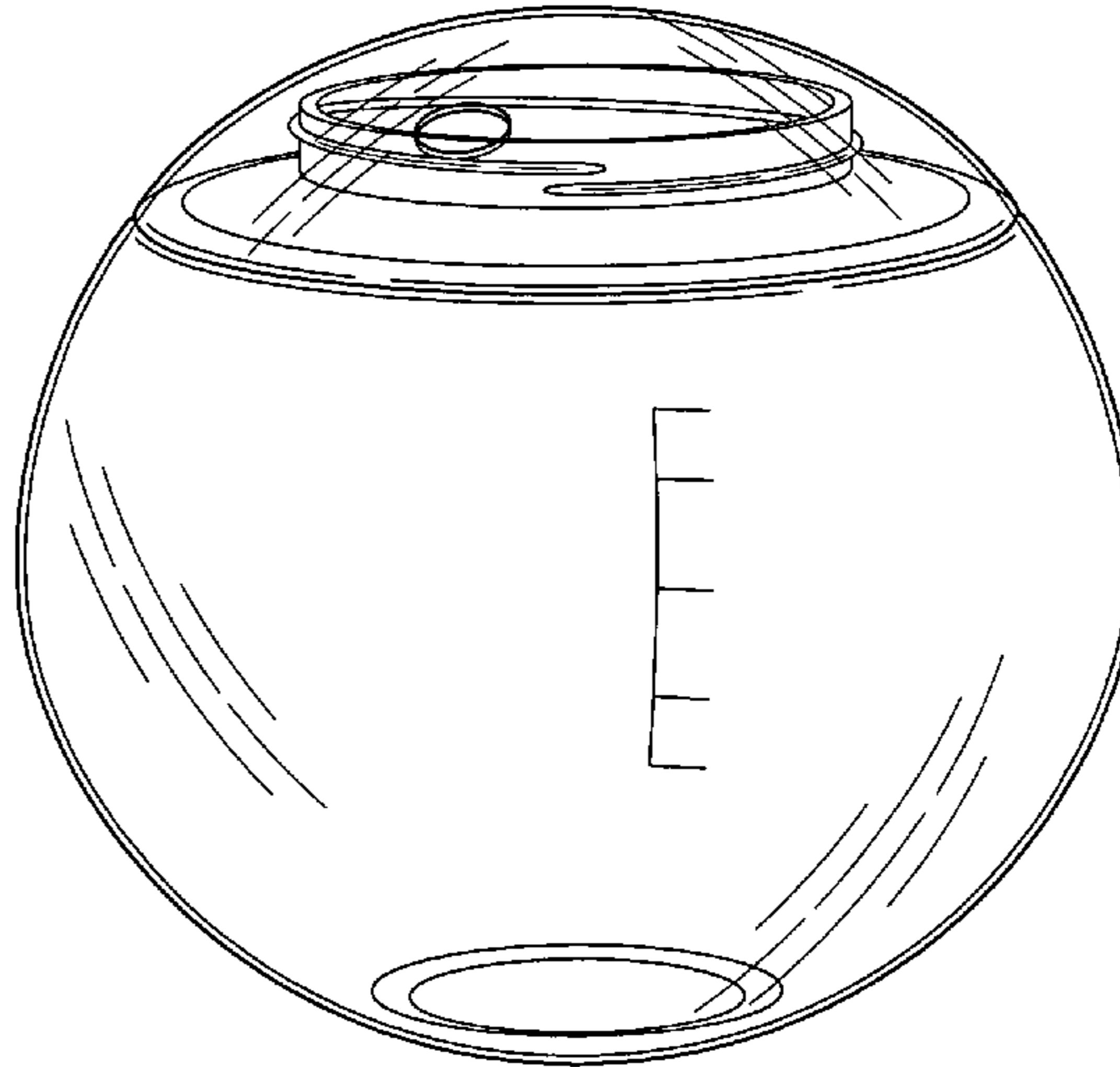
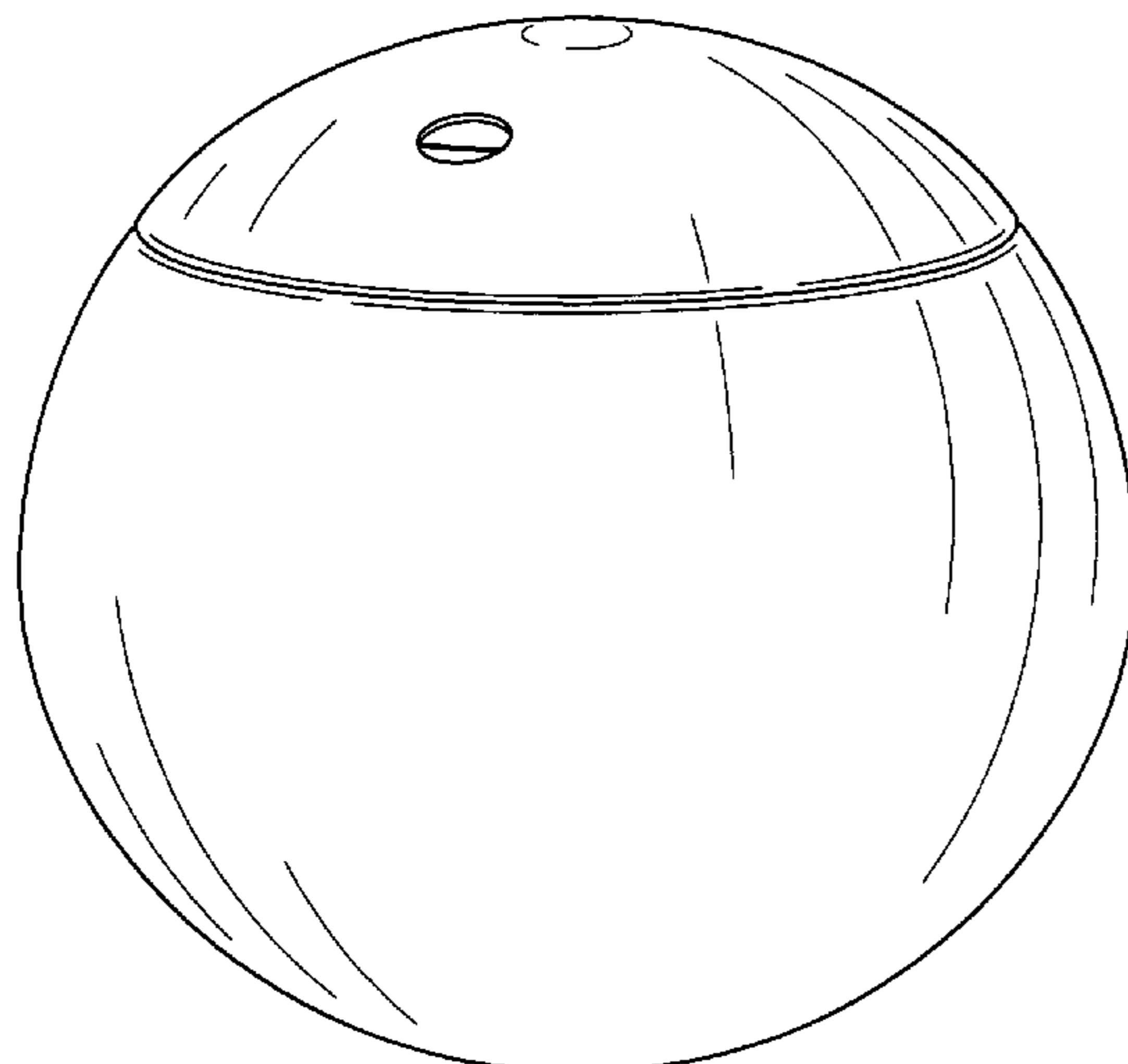
FIG. 13 is a bottom view of the alternative embodiment of the container shown in FIG. 9, with top;

FIG. 14 is a top view of the top of the alternative embodiment of the container shown in FIG. 9;

FIG. 15 is a bottom view of the top of the alternative embodiment of the container shown in FIG. 9; and,

FIG. 16 is a front perspective view of the alternative embodiment of the container shown in FIG. 9, without top.

**1 Claim, 10 Drawing Sheets**



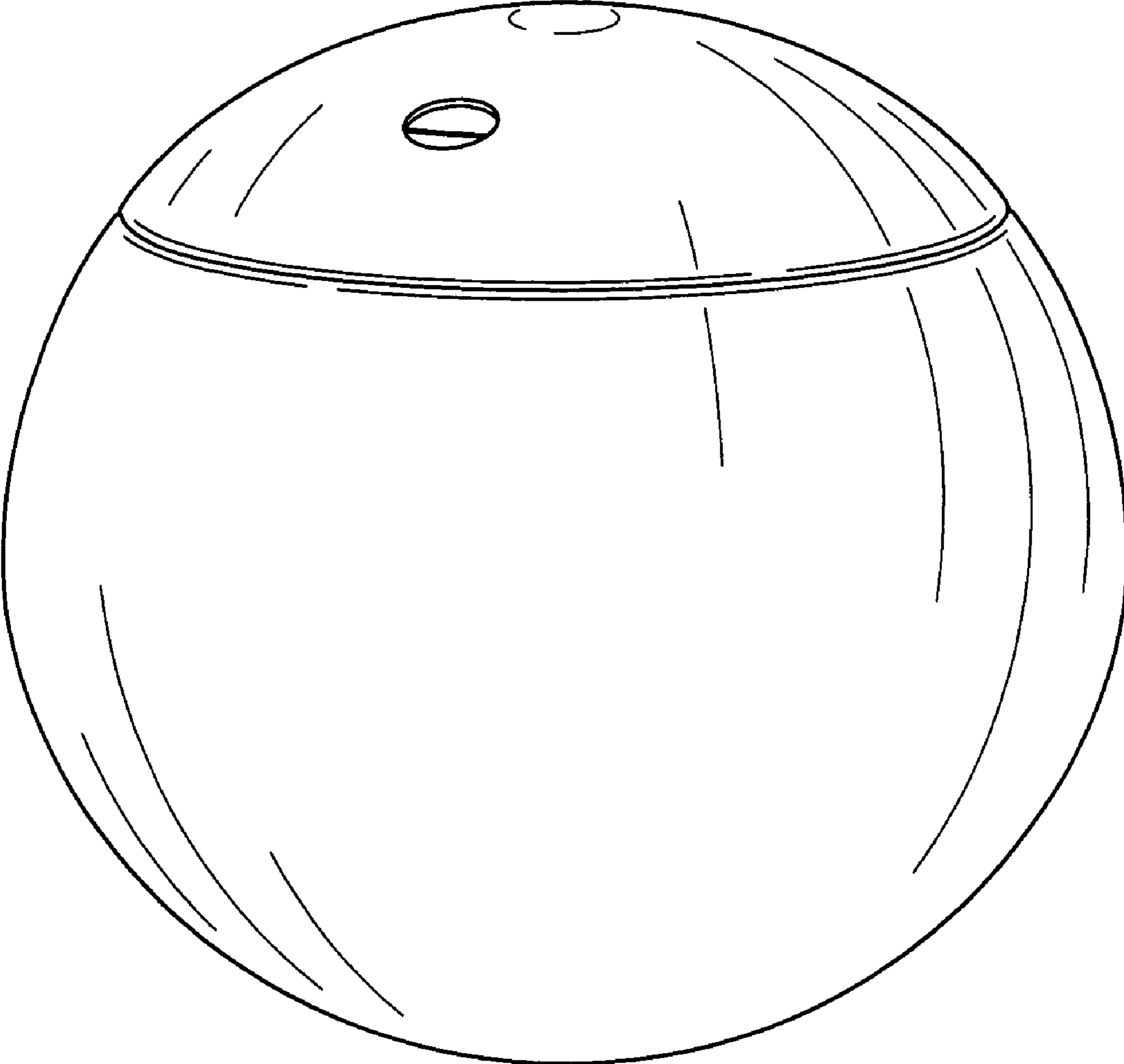


FIG. 1

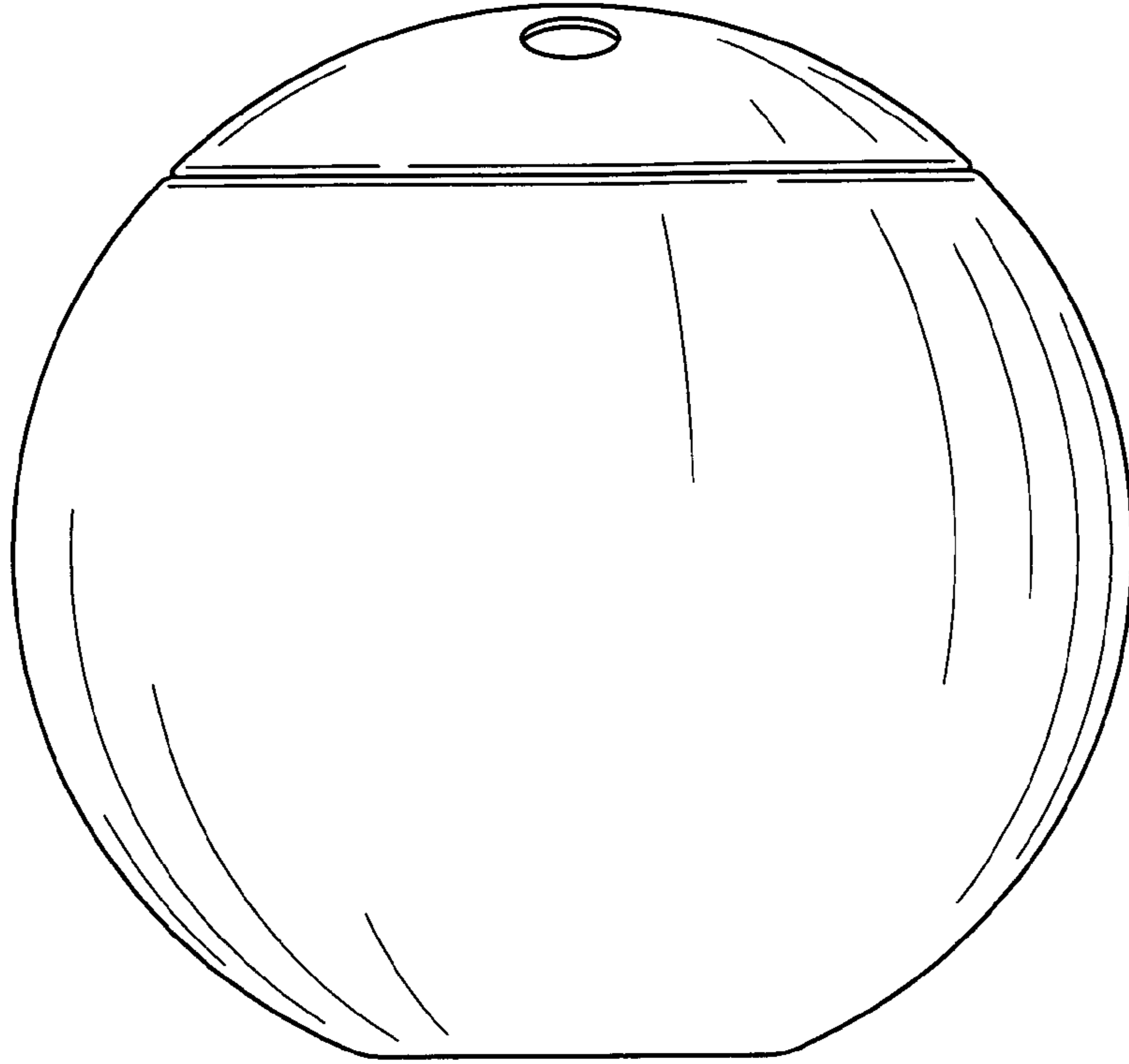


FIG. 2

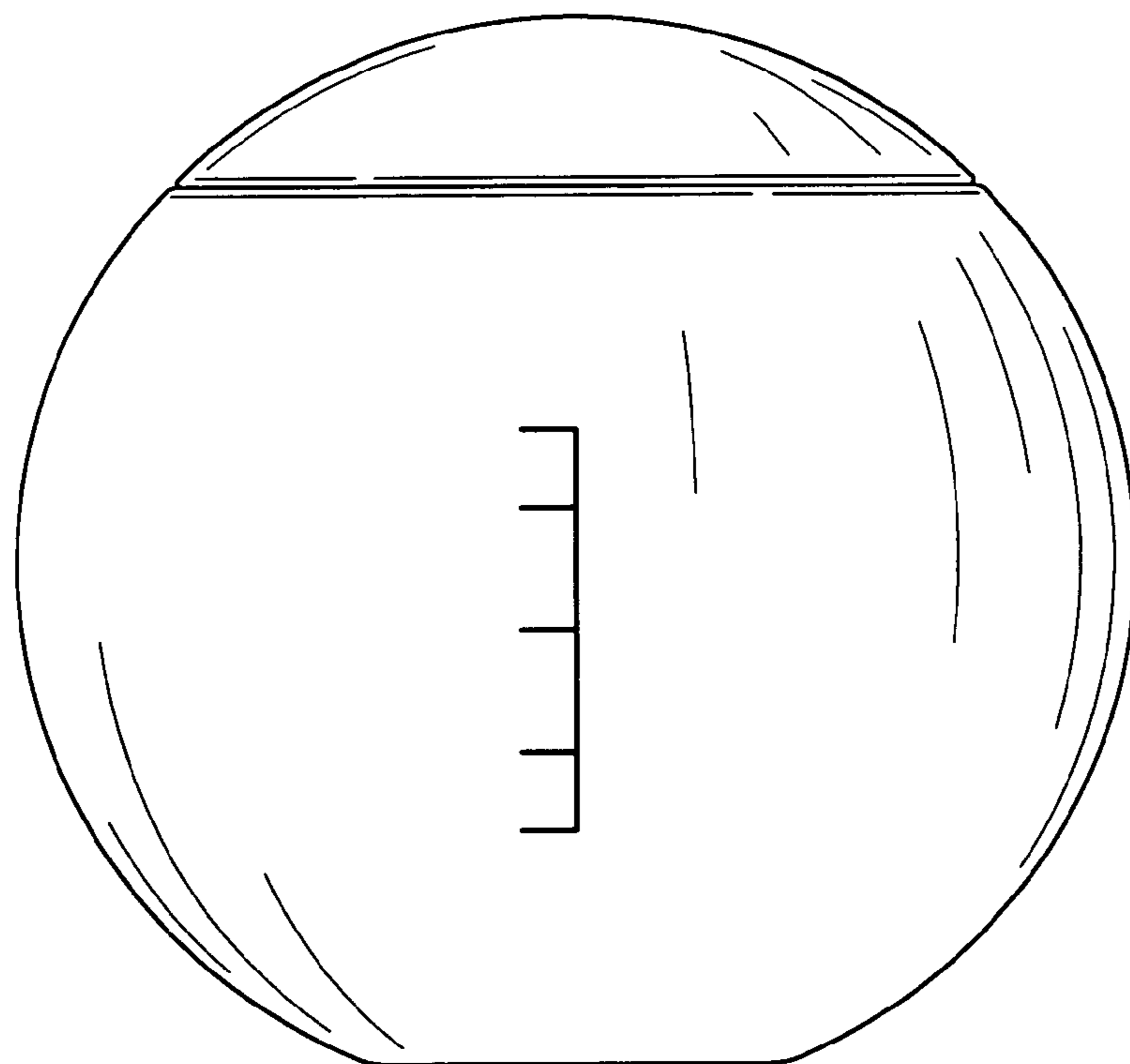


FIG. 3

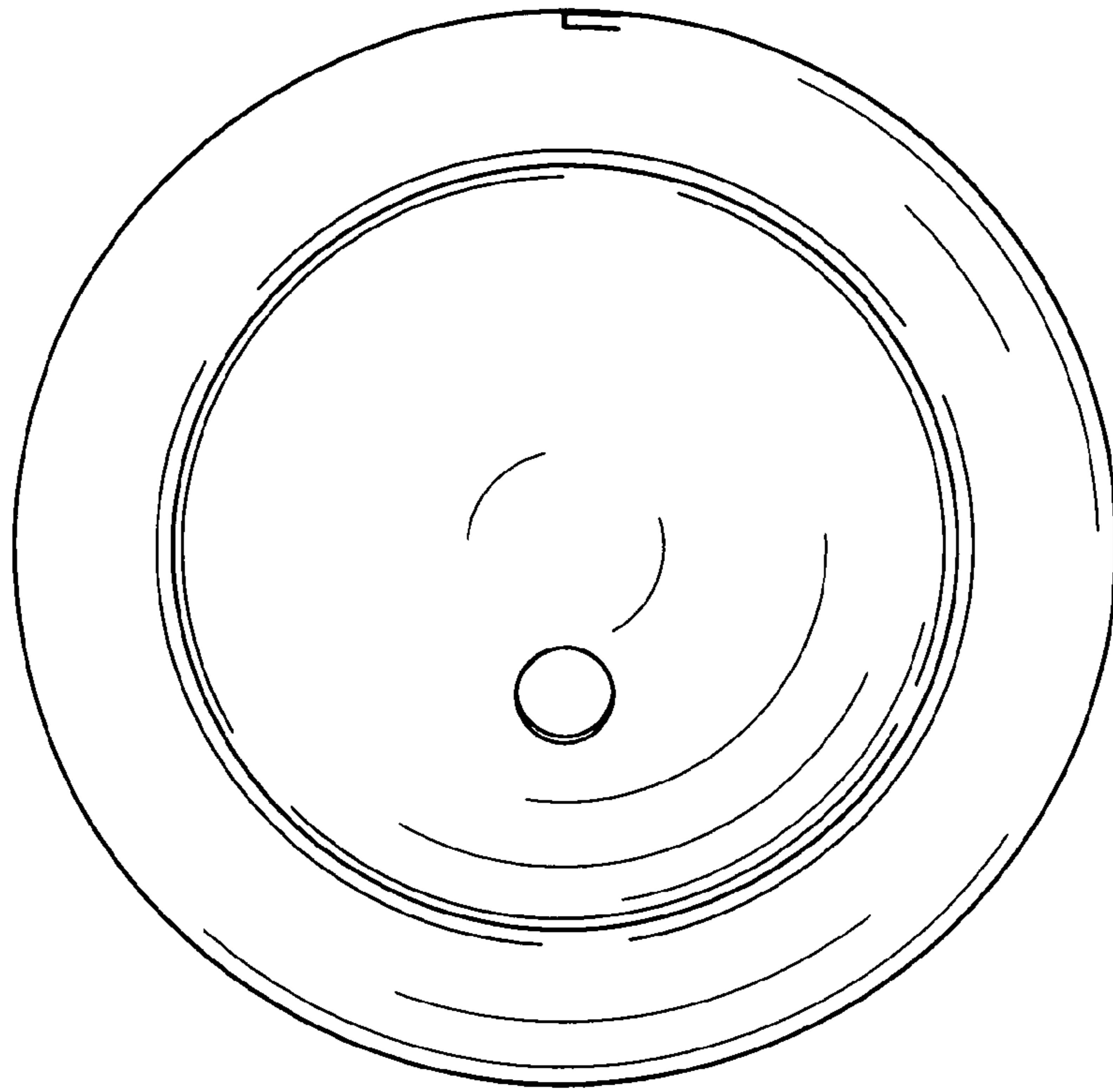


FIG. 4

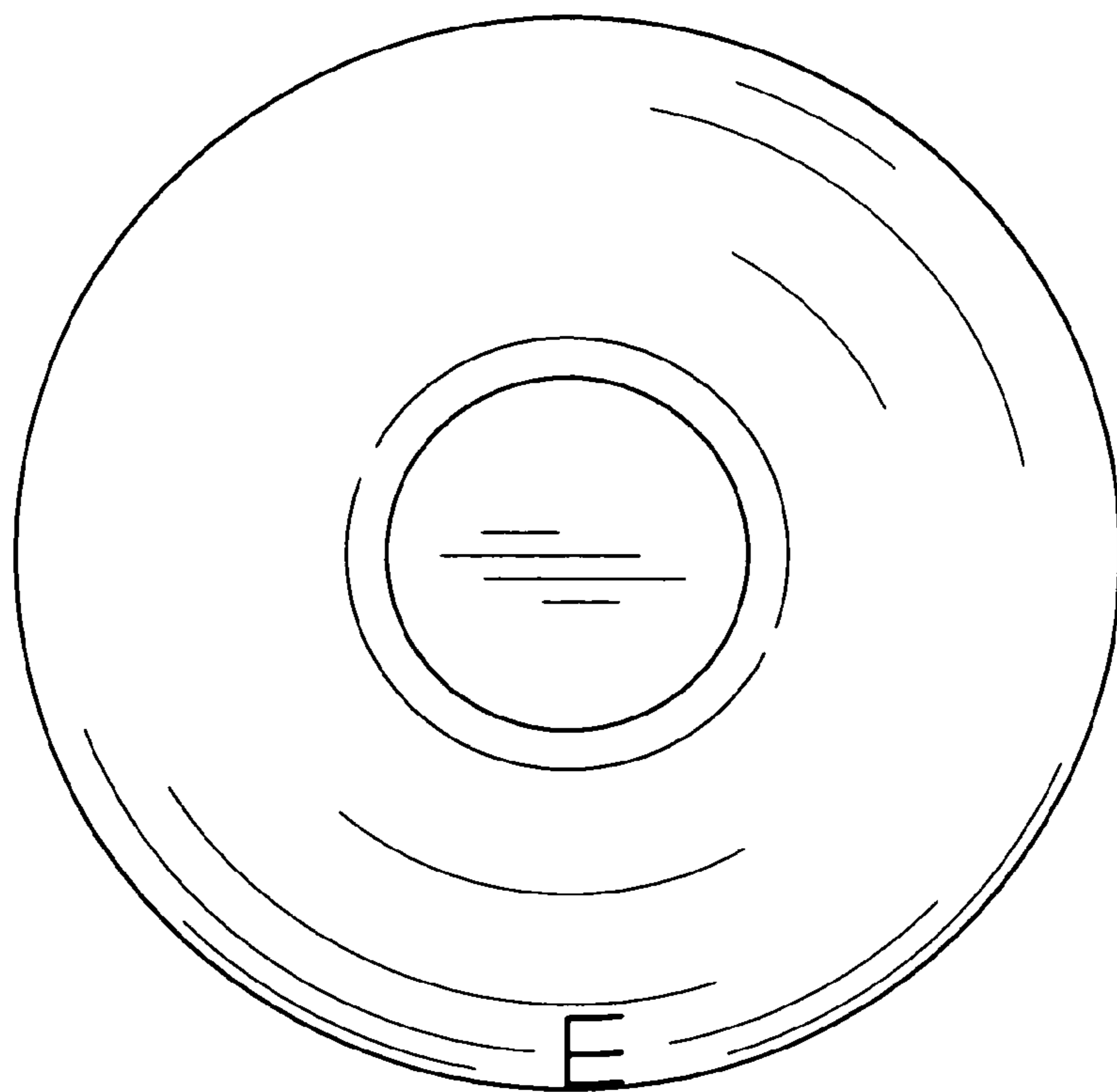
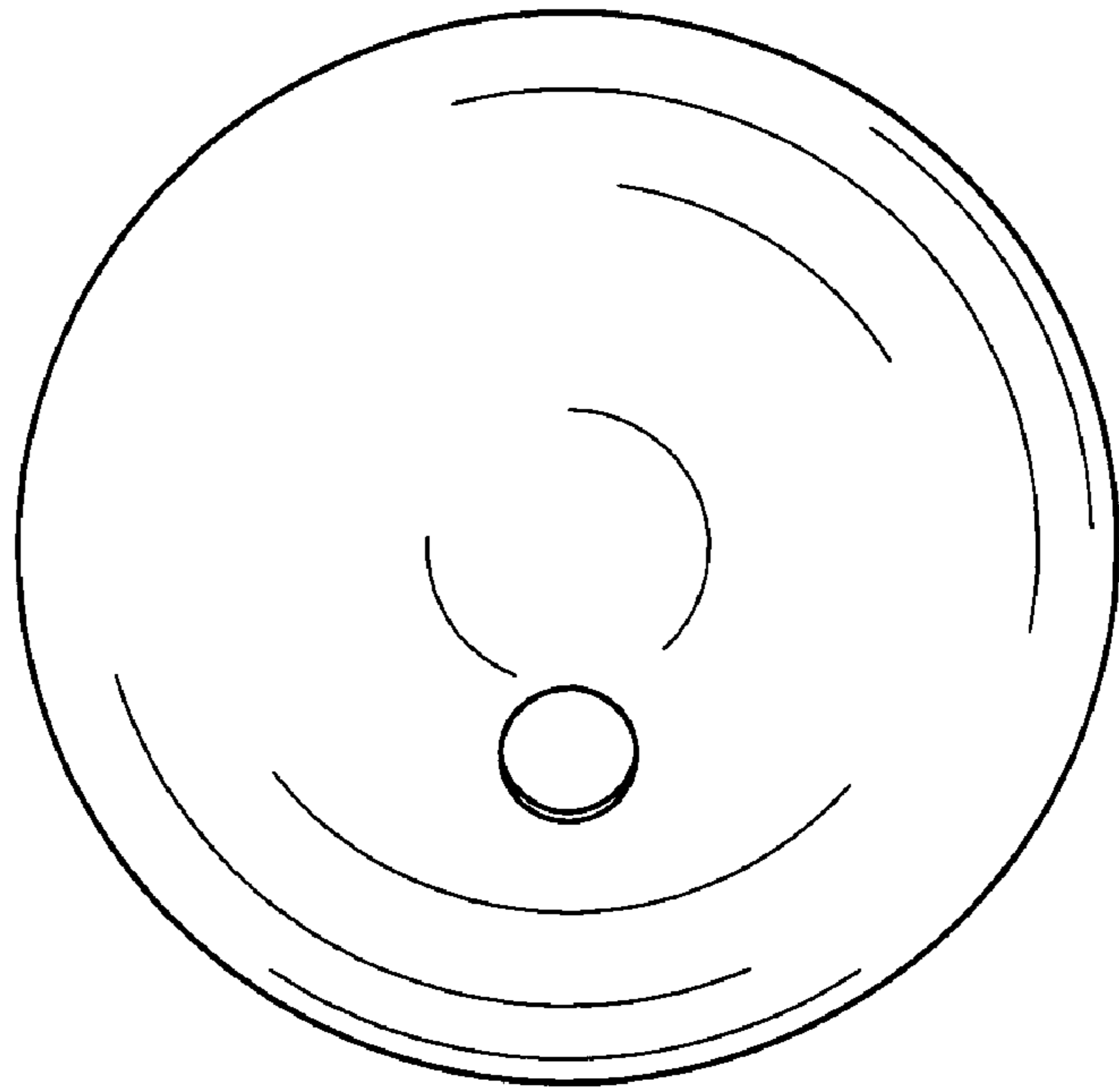
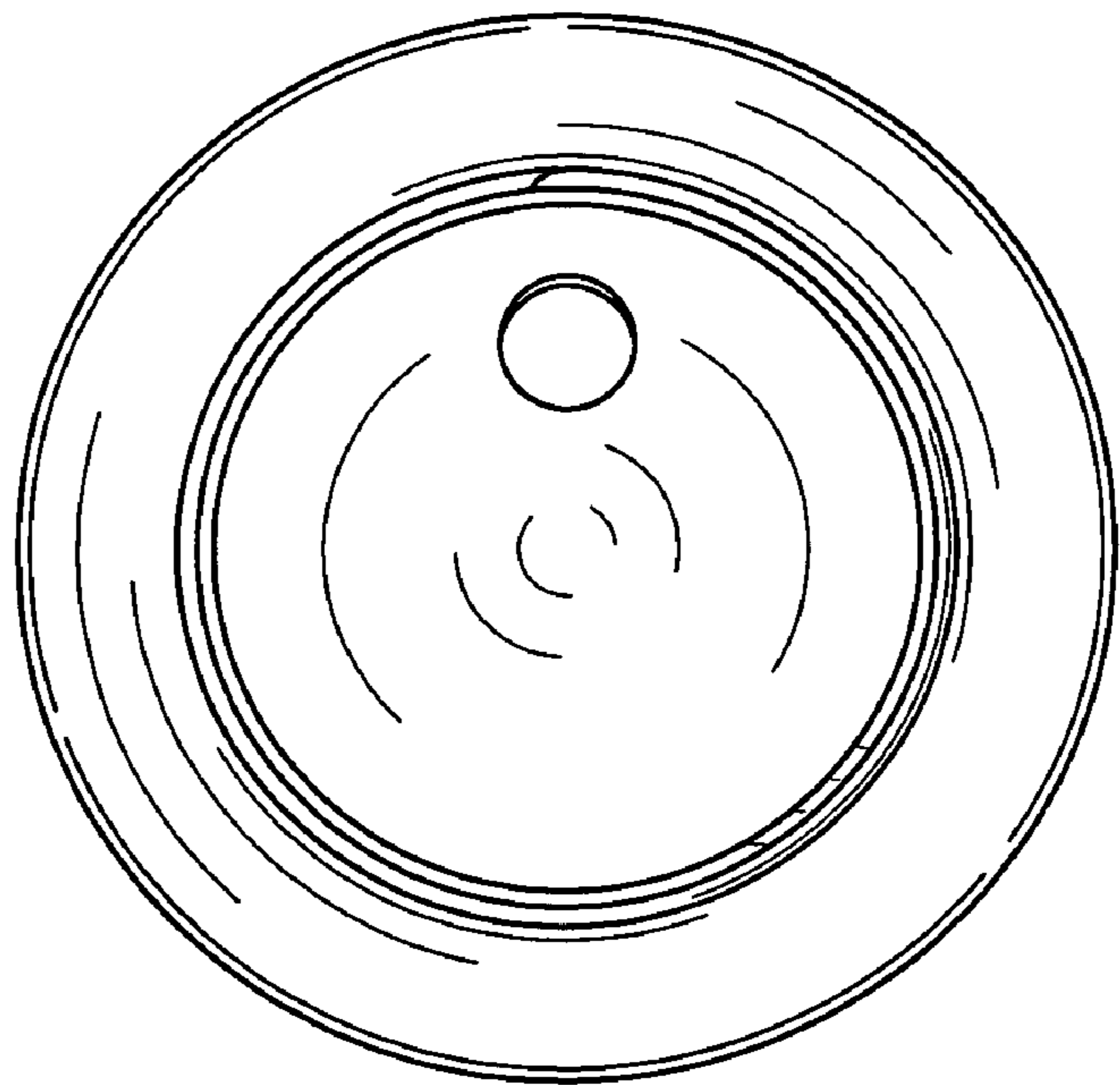


FIG. 5

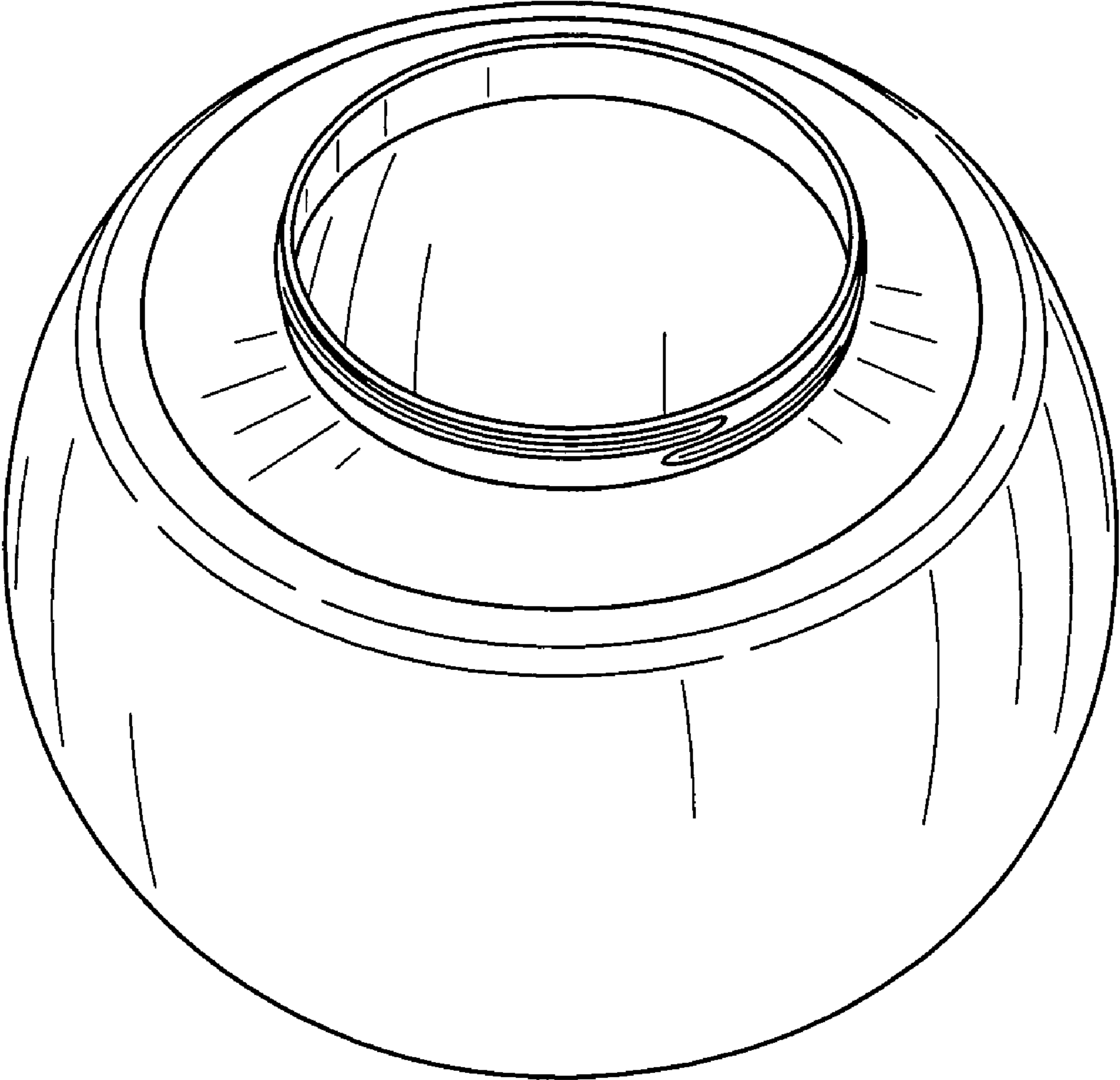


**FIG. 6**



**FIG. 7**





**FIG. 8**

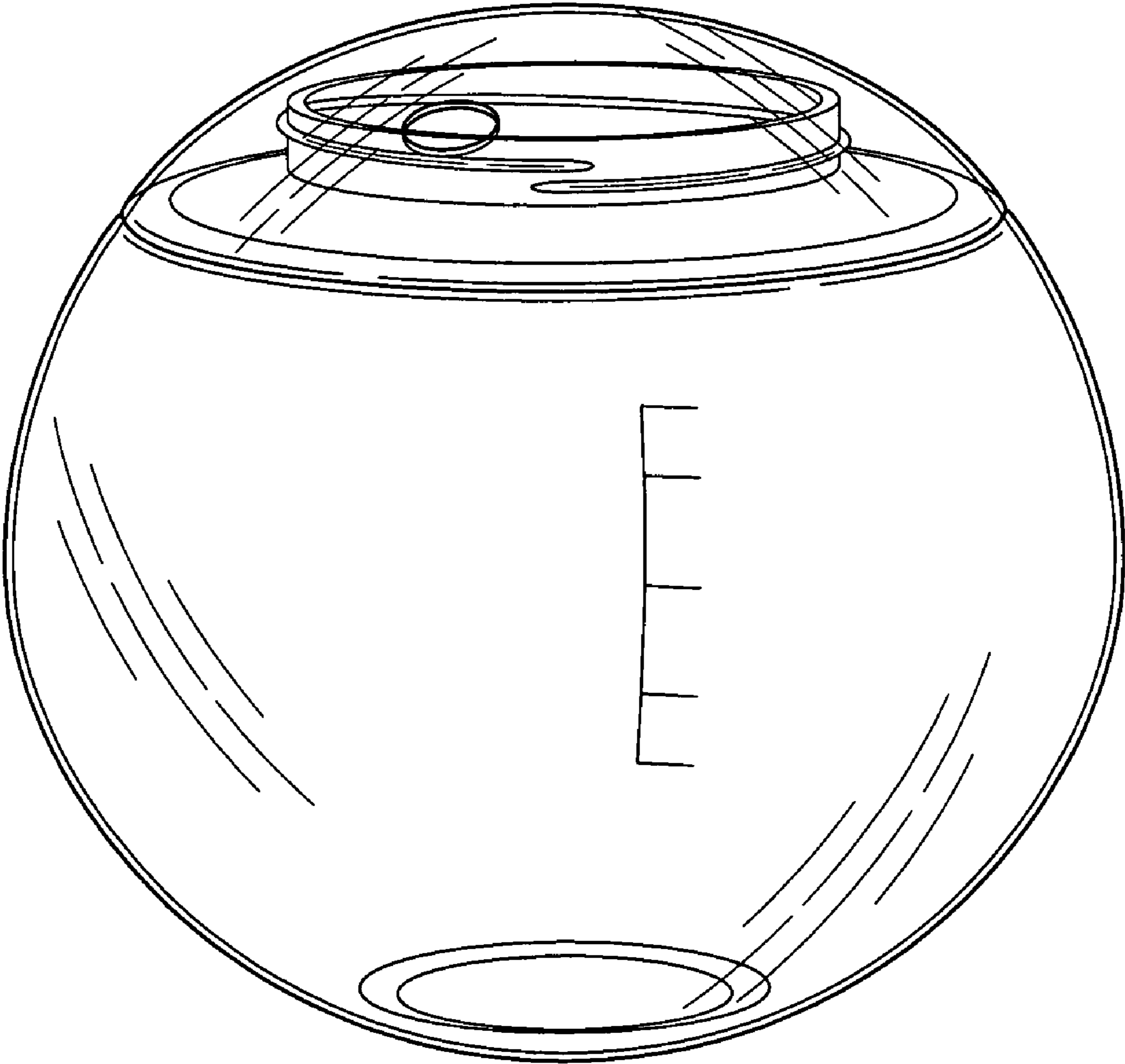


FIG. 9

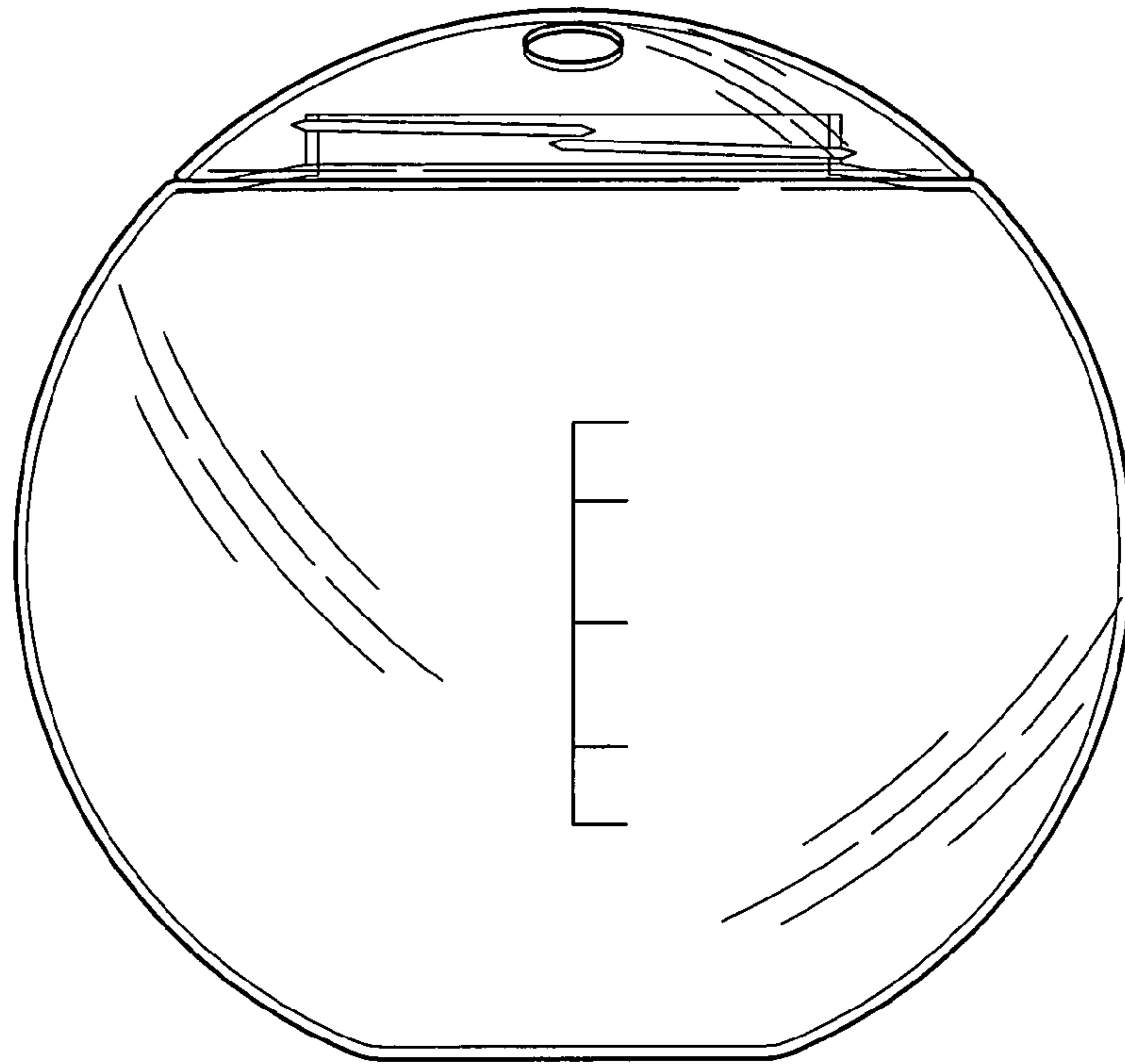


FIG. 10

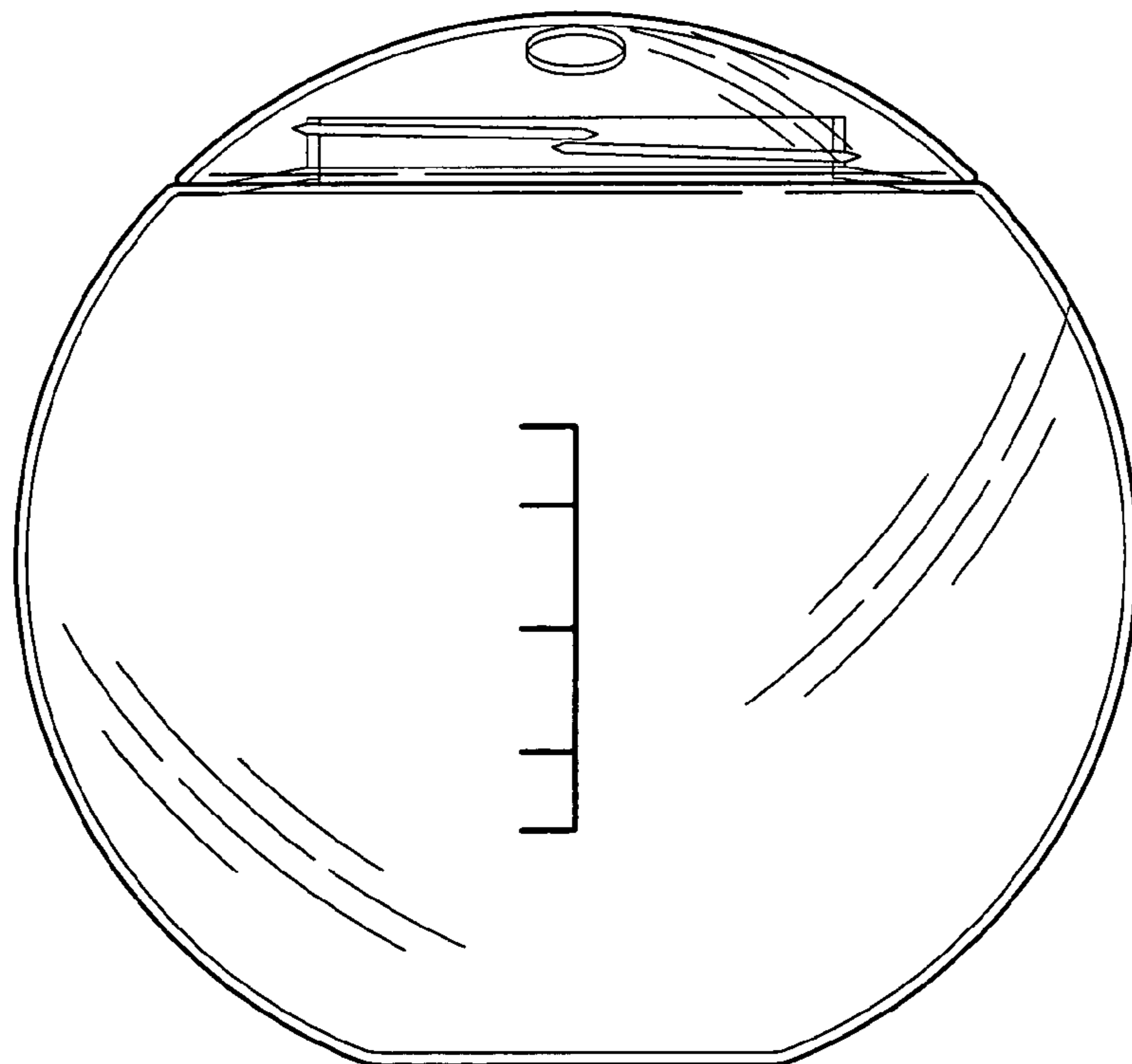


FIG. 11



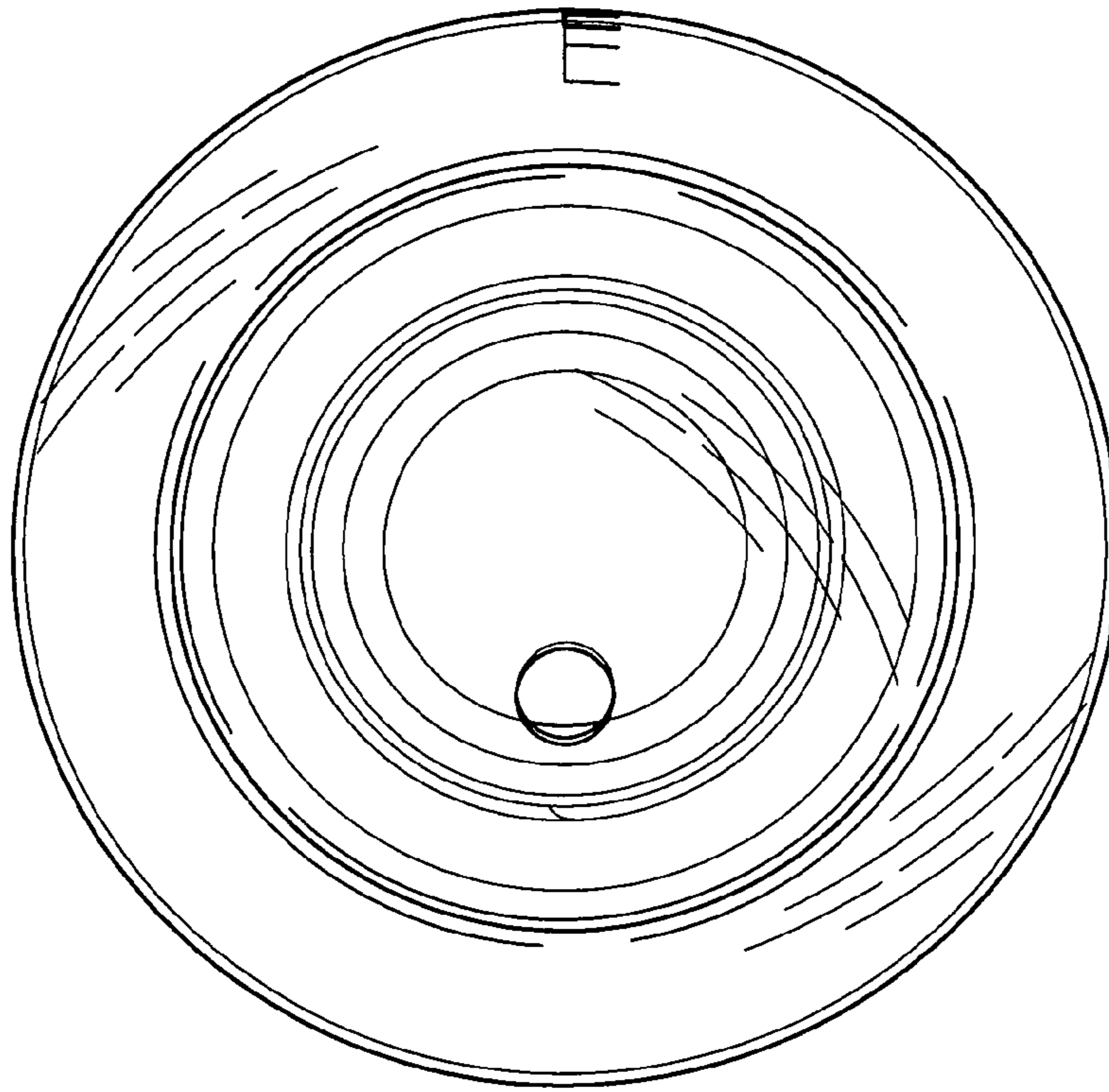


FIG. 12

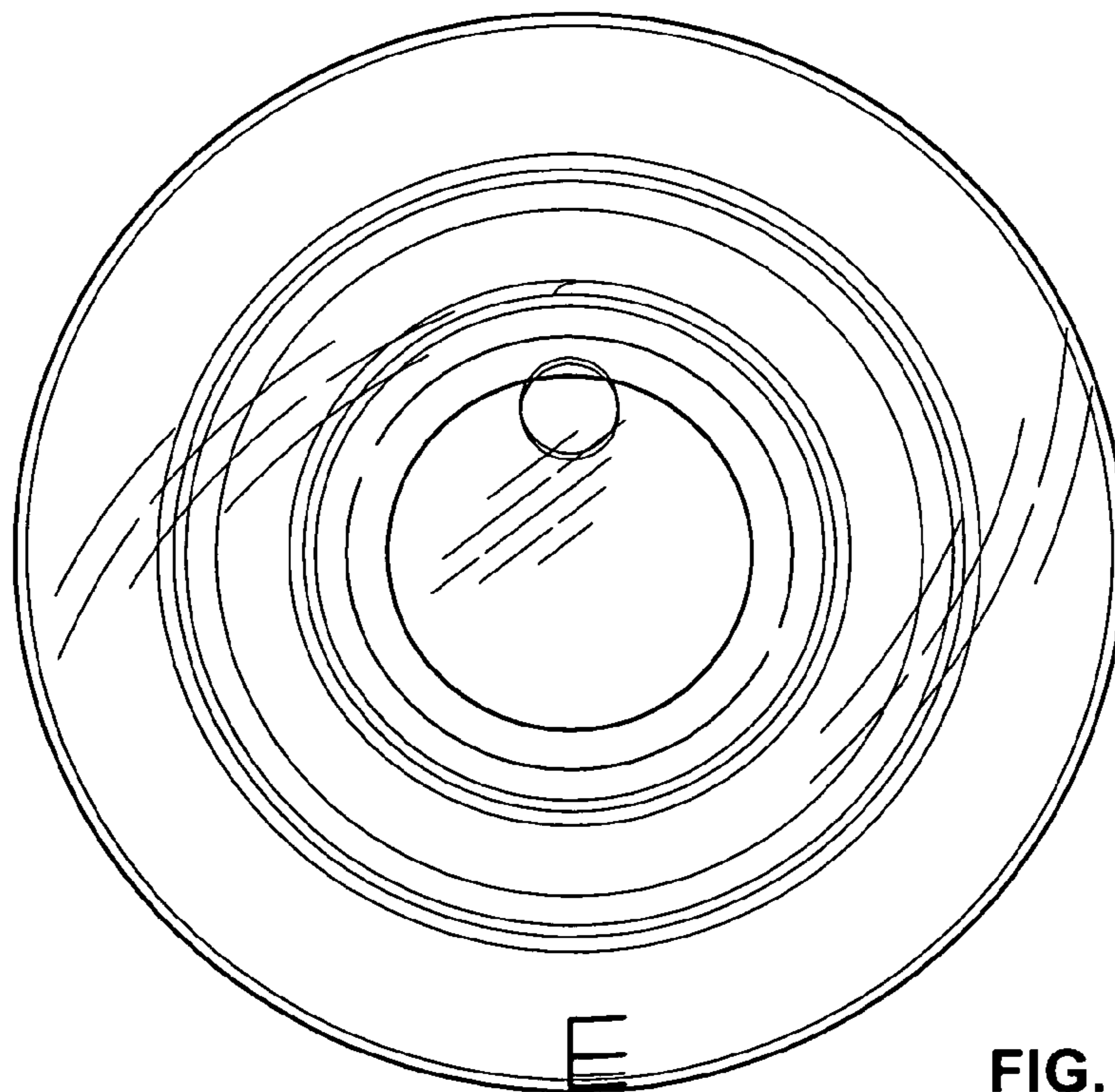
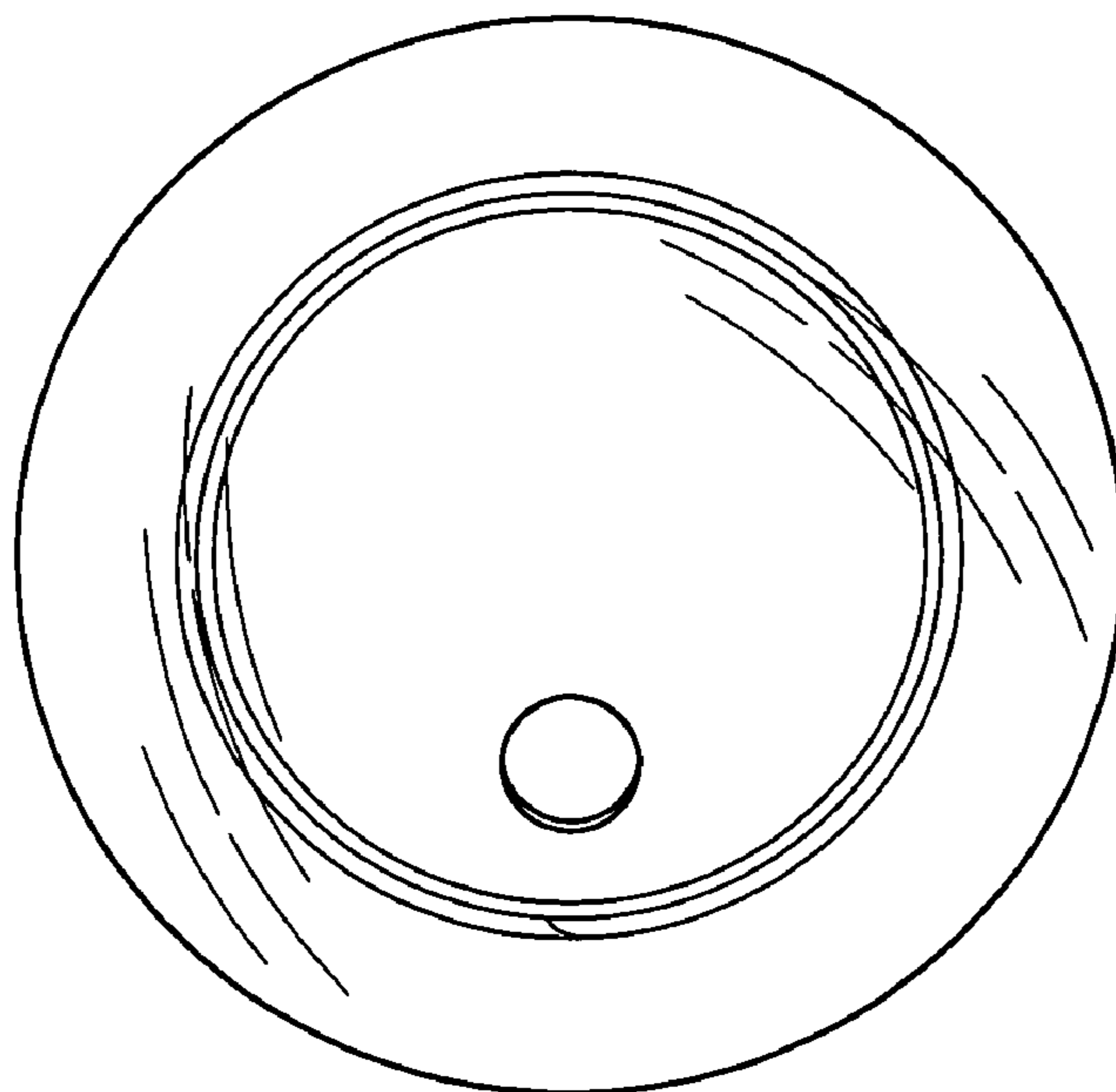
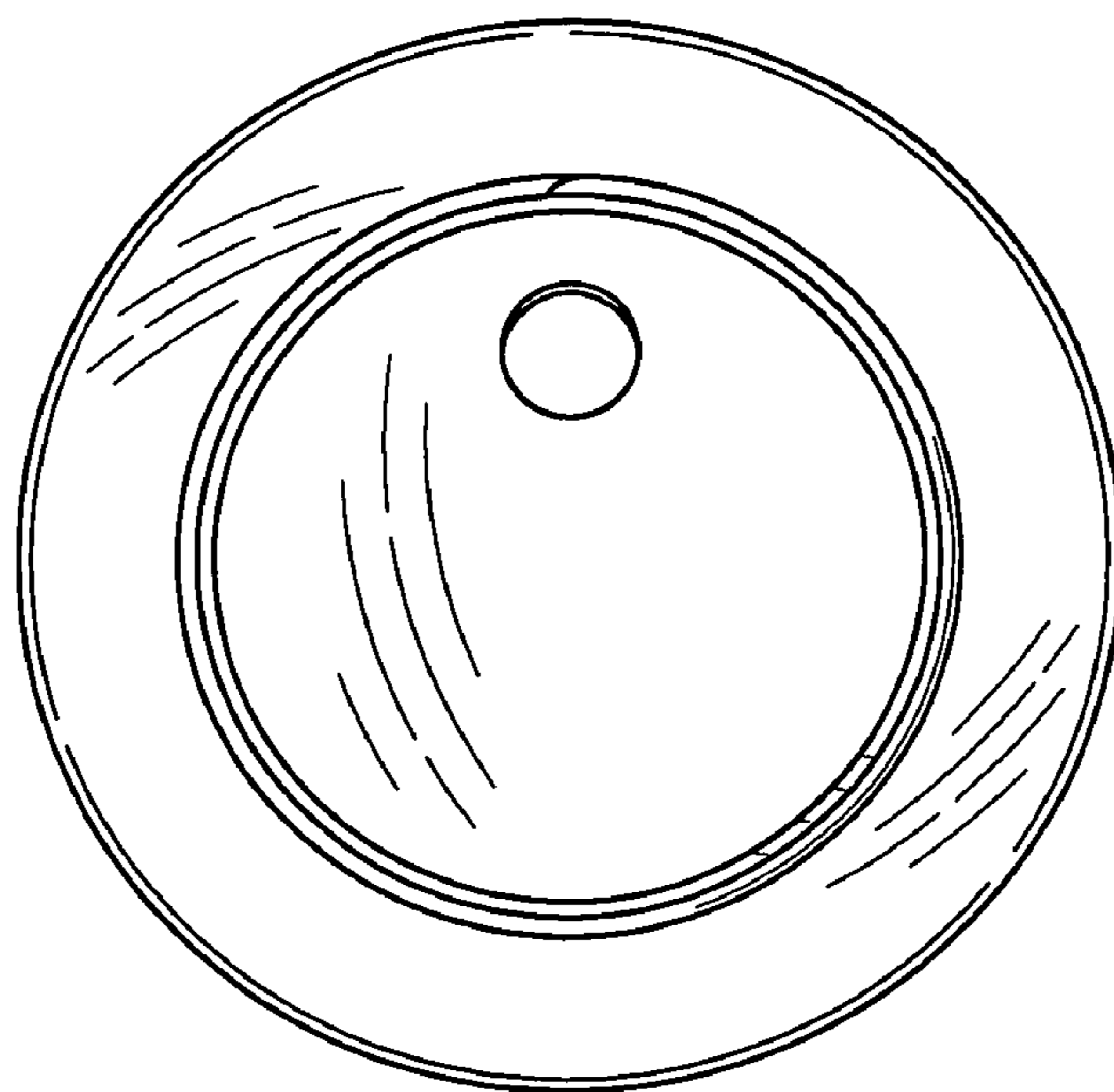


FIG. 13



**FIG. 14**



**FIG. 15**

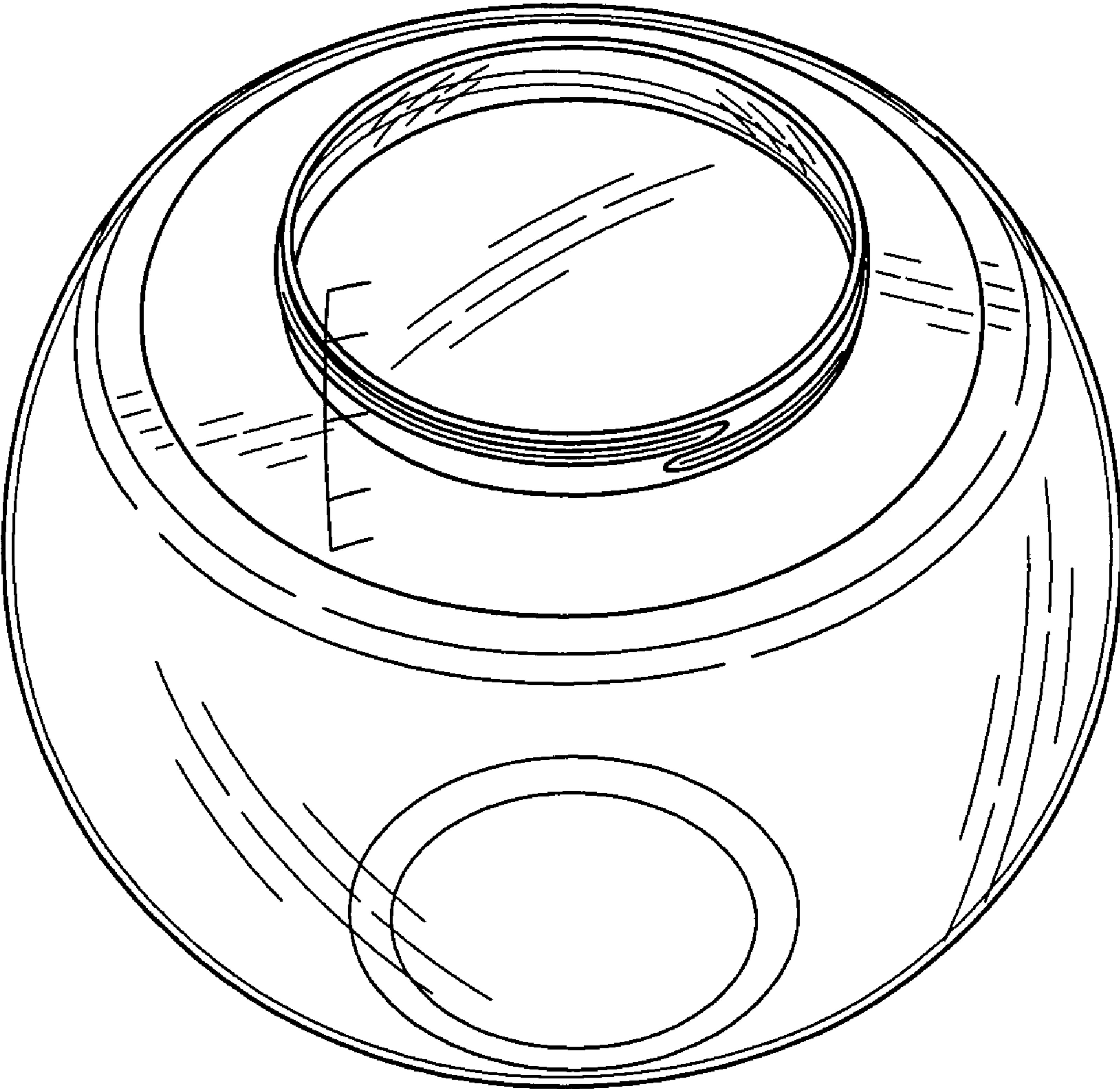


FIG. 16