



US00D650272S

(12) **United States Design Patent**
Durham

(10) **Patent No.:** **US D650,272 S**

(45) **Date of Patent:** **** Dec. 13, 2011**

(54) **HANDLED GIFT BOX**

(76) Inventor: **Stacey Ann Durham**, Austin, TX (US)

(**) Term: **14 Years**

(21) Appl. No.: **29/367,509**

(22) Filed: **Aug. 9, 2010**

(51) **LOC (9) Cl.** **09-03**

(52) **U.S. Cl.** **D9/432; D9/423**

(58) **Field of Classification Search** D9/721,
D9/702, 443, 434, 432, 431, 430, 423, 421,
D9/420, 418, 414; 206/488, 278; 229/117.19,
229/116.5; D3/307, 246, 240; 224/250;
294/158; 383/6, 21, 20, 13, 16; 132/316

See application file for complete search history.

(56) **References Cited**

U.S. PATENT DOCUMENTS

2,025,160	A *	12/1935	Everett	294/16
2,959,342	A *	11/1960	Silverstein	16/407
3,464,620	A *	9/1969	Canno et al.	383/21
5,352,042	A *	10/1994	Roy	383/6
6,113,267	A *	9/2000	Roy	383/13
D446,010	S *	8/2001	Sweeney	D3/246
6,338,180	B1 *	1/2002	Massard	16/114.1
D471,015	S *	3/2003	Lacy et al.	D3/307
6,558,037	B2 *	5/2003	Gonella	383/20
D489,897	S *	5/2004	Guyon	D3/246

D510,265	S *	10/2005	Man	D9/434
D555,008	S *	11/2007	Gattino	D9/702
2004/0197032	A1 *	10/2004	Clark	383/104
2006/0283733	A1 *	12/2006	Masa	206/278
2007/0227929	A1 *	10/2007	Mauerhan et al.	206/488
2011/0088715	A1 *	4/2011	Lee et al.	132/316

* cited by examiner

Primary Examiner — Thomas Johannes

(74) *Attorney, Agent, or Firm* — Sinorica, LLC

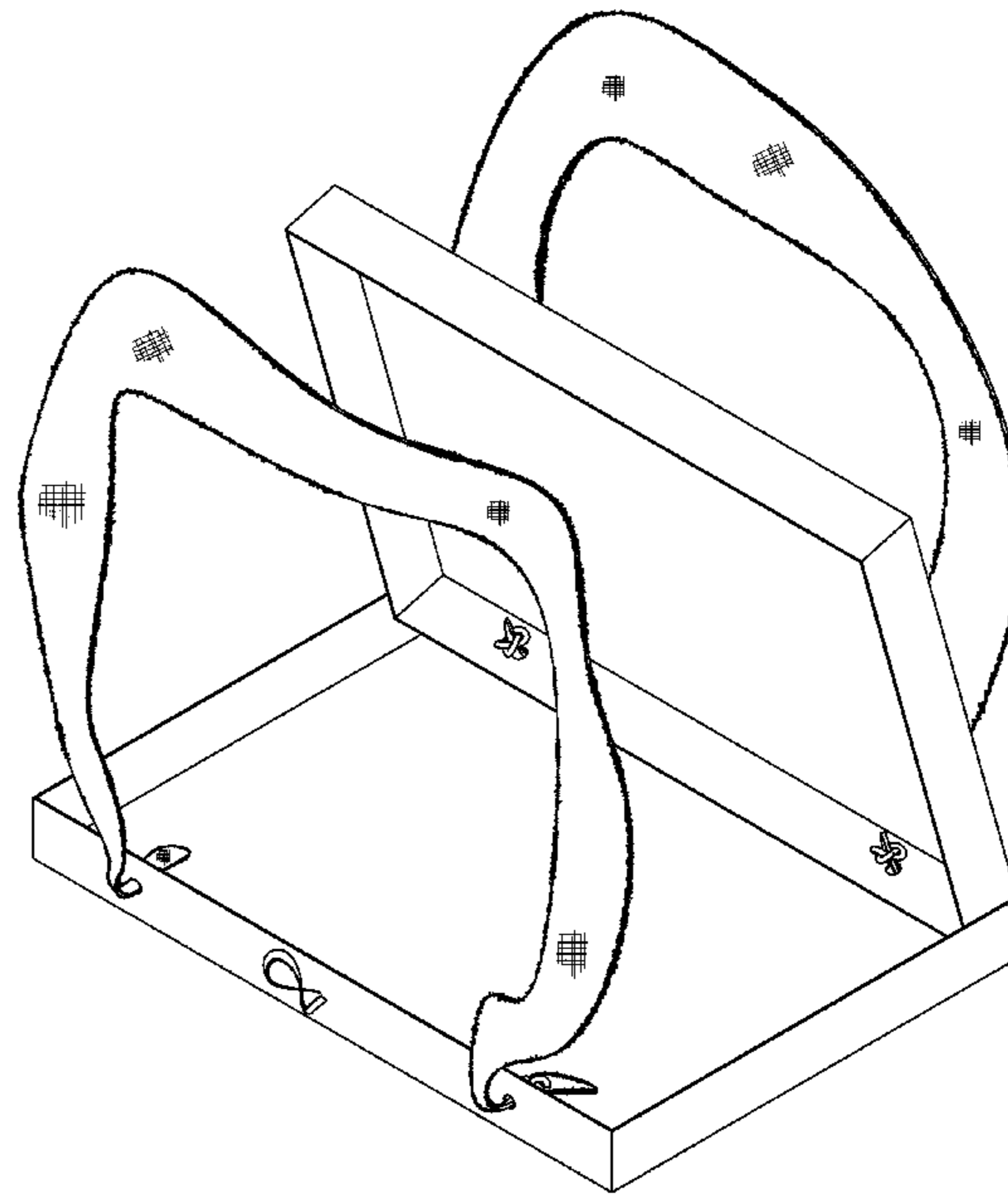
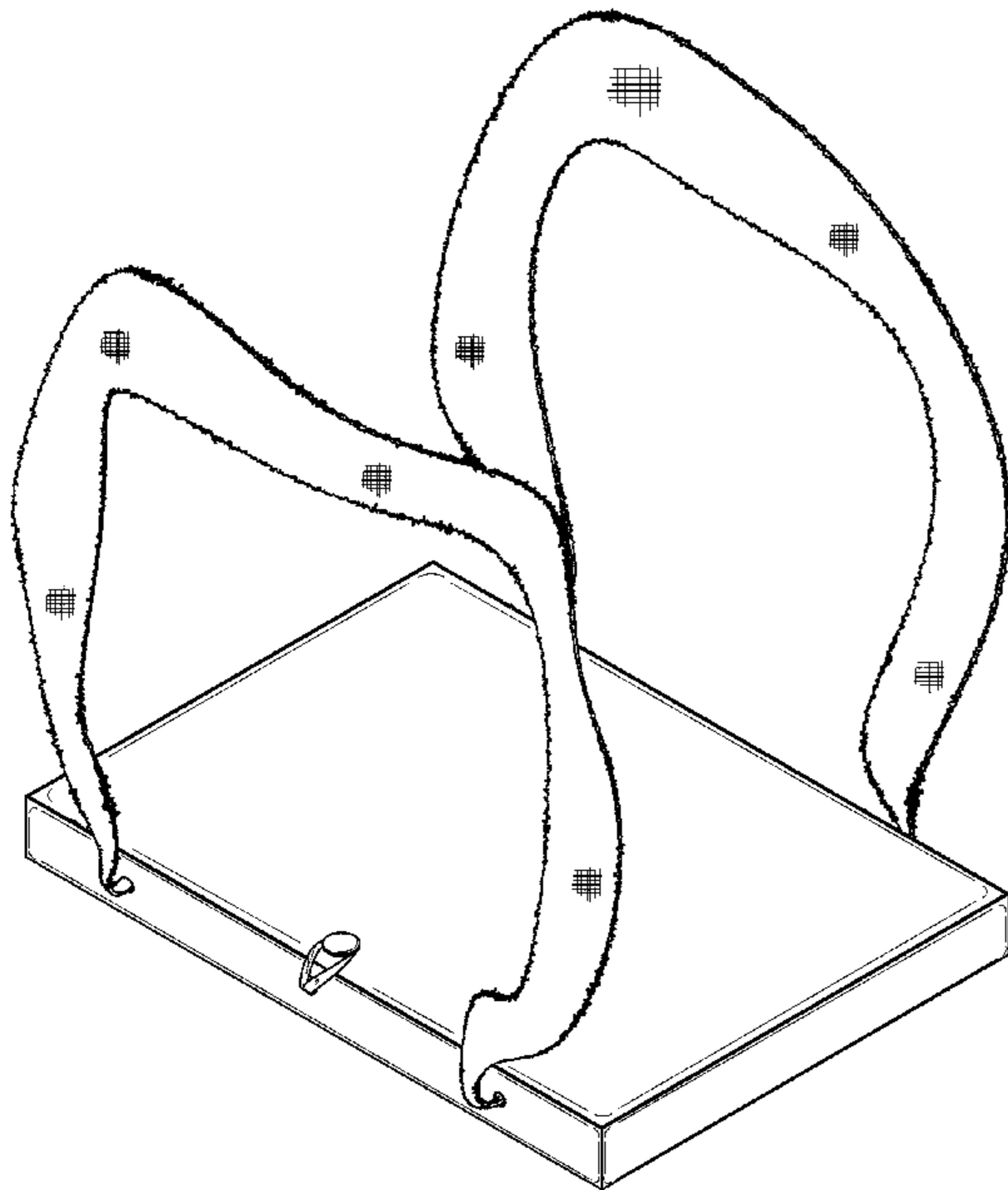
(57) **CLAIM**

The ornamental design of a handled gift box, as shown and described.

DESCRIPTION

FIG. 1 is a perspective view of a handled gift box;
FIG. 2 is a front elevational view thereof;
FIG. 3 is a rear elevational view thereof;
FIG. 4 is a left-side elevational view thereof;
FIG. 5 is a right-side elevational view thereof;
FIG. 6 is a bottom plan view thereof;
FIG. 7 is a top plan view thereof; and,
FIG. 8 is a perspective view of an opened handled gift box.
The hatched surfaces in the drawings depict claimed fabric handles.

1 Claim, 8 Drawing Sheets



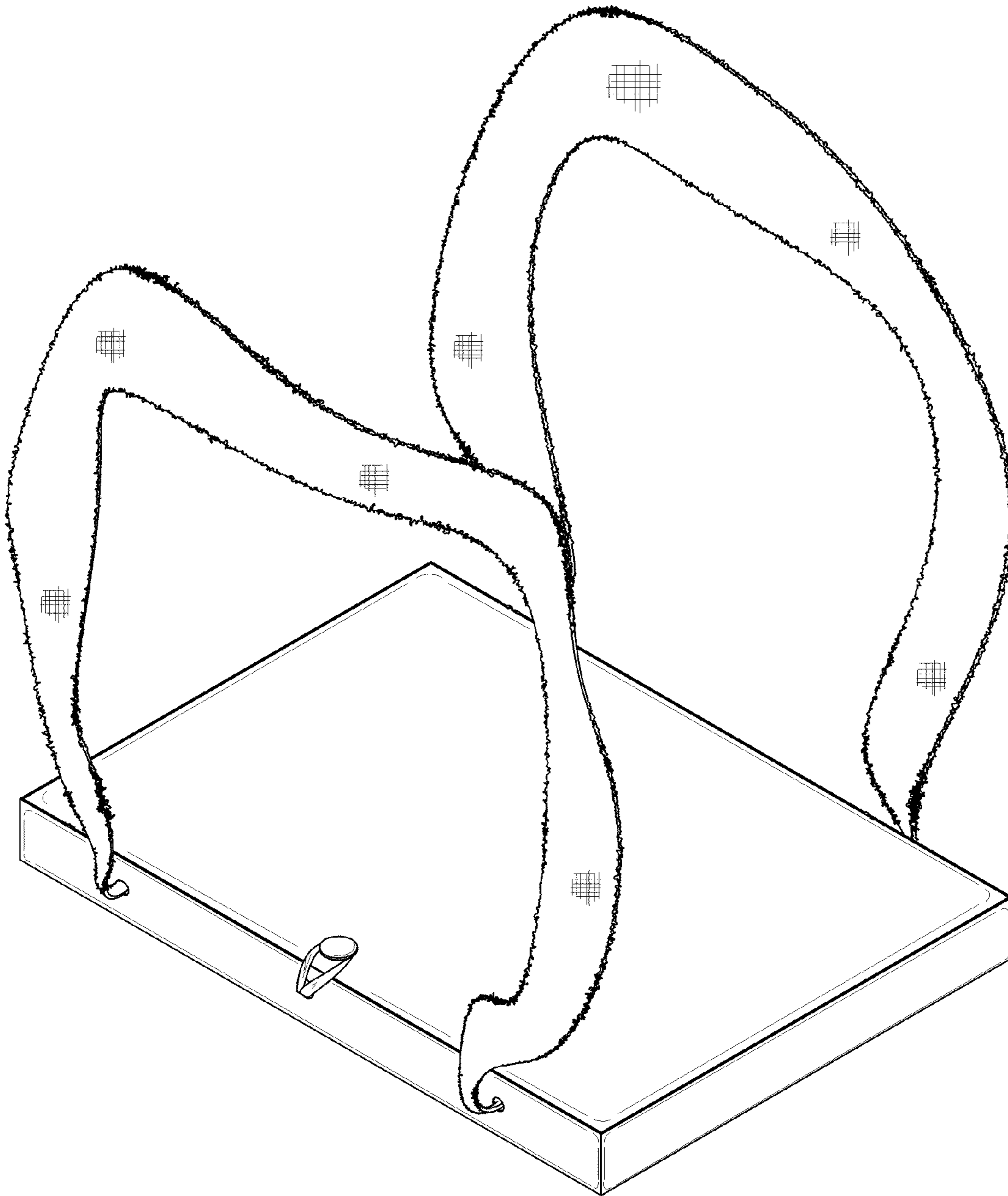


FIG. 1

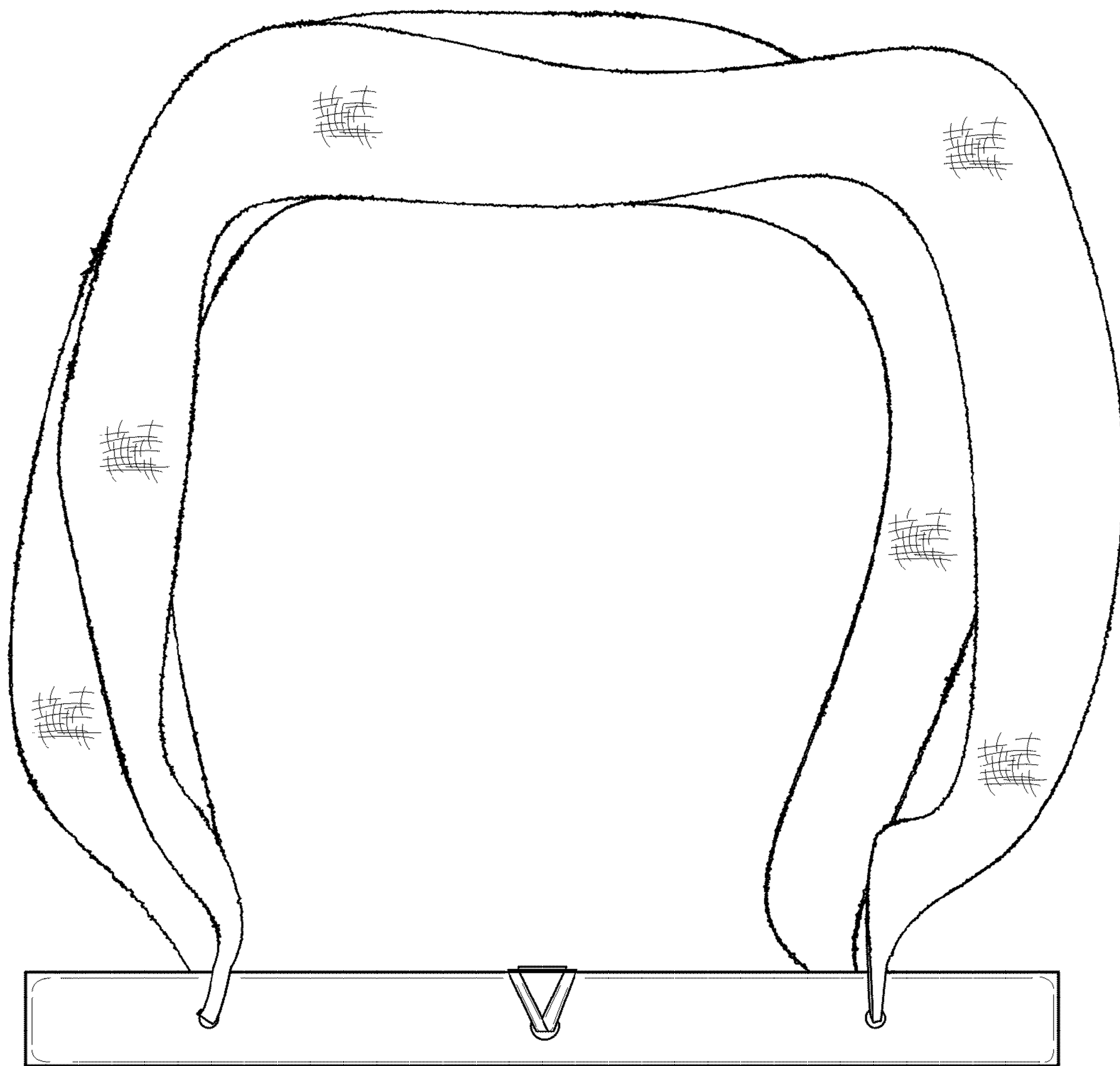


FIG. 2

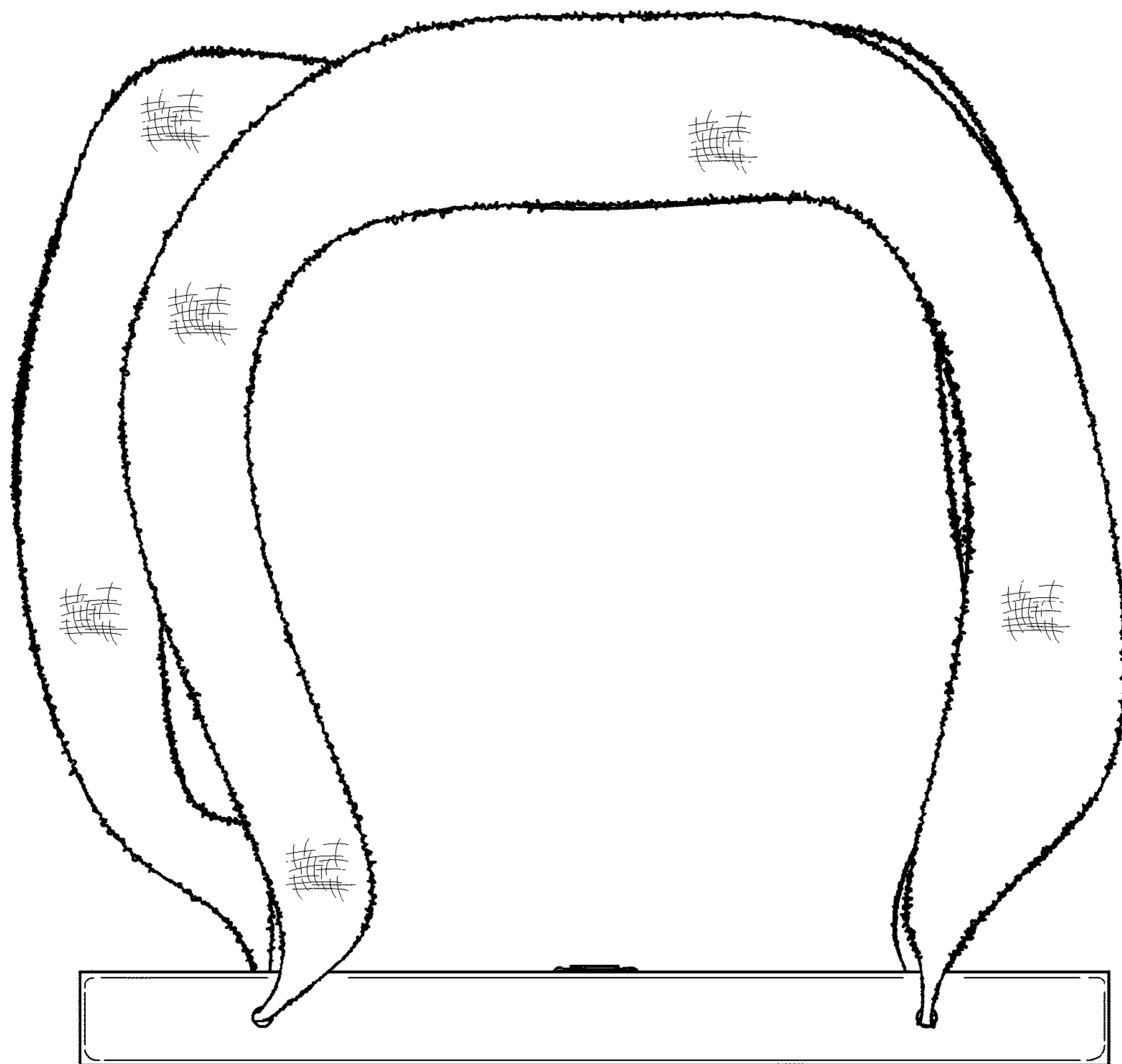


FIG. 3

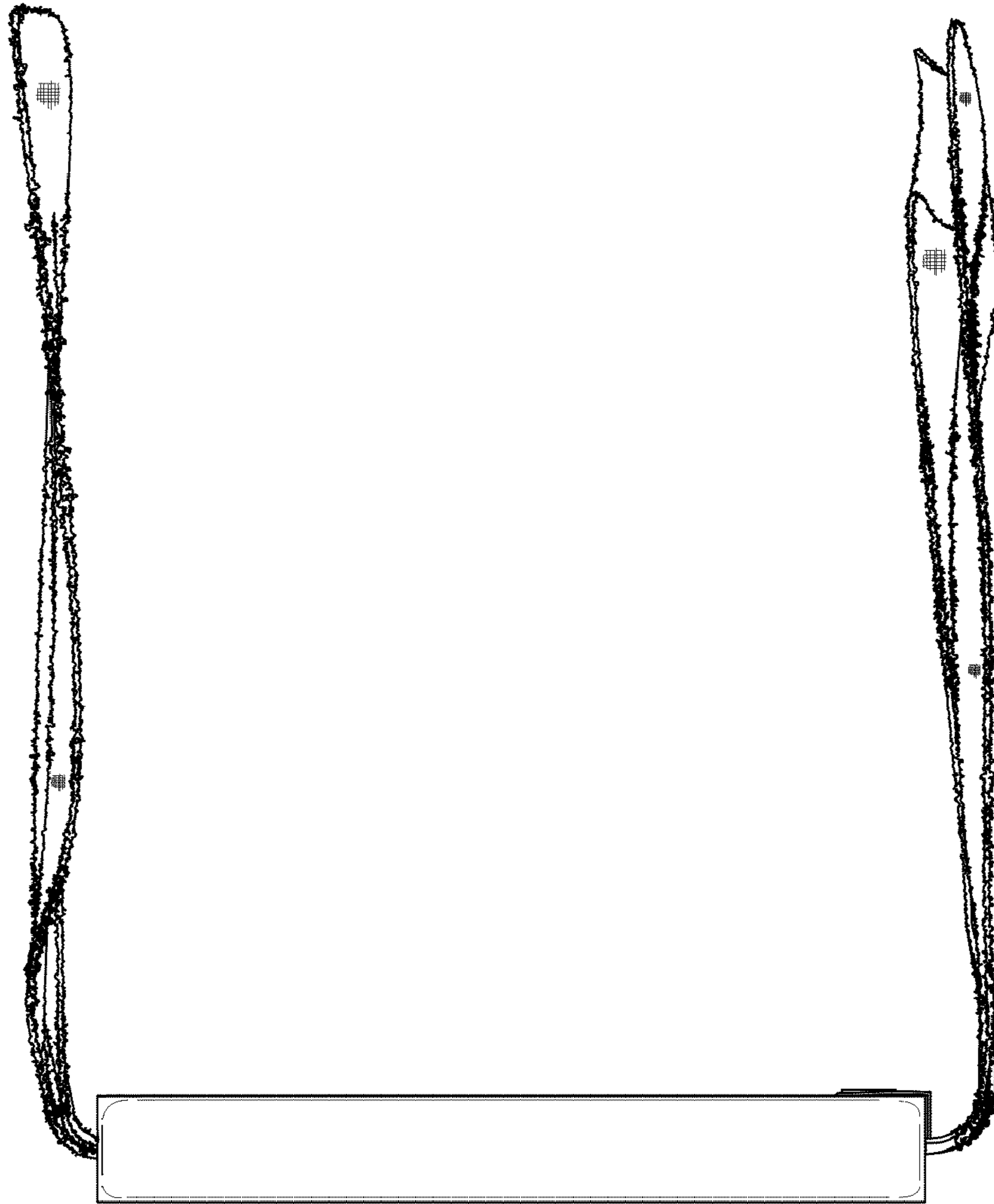


FIG. 4

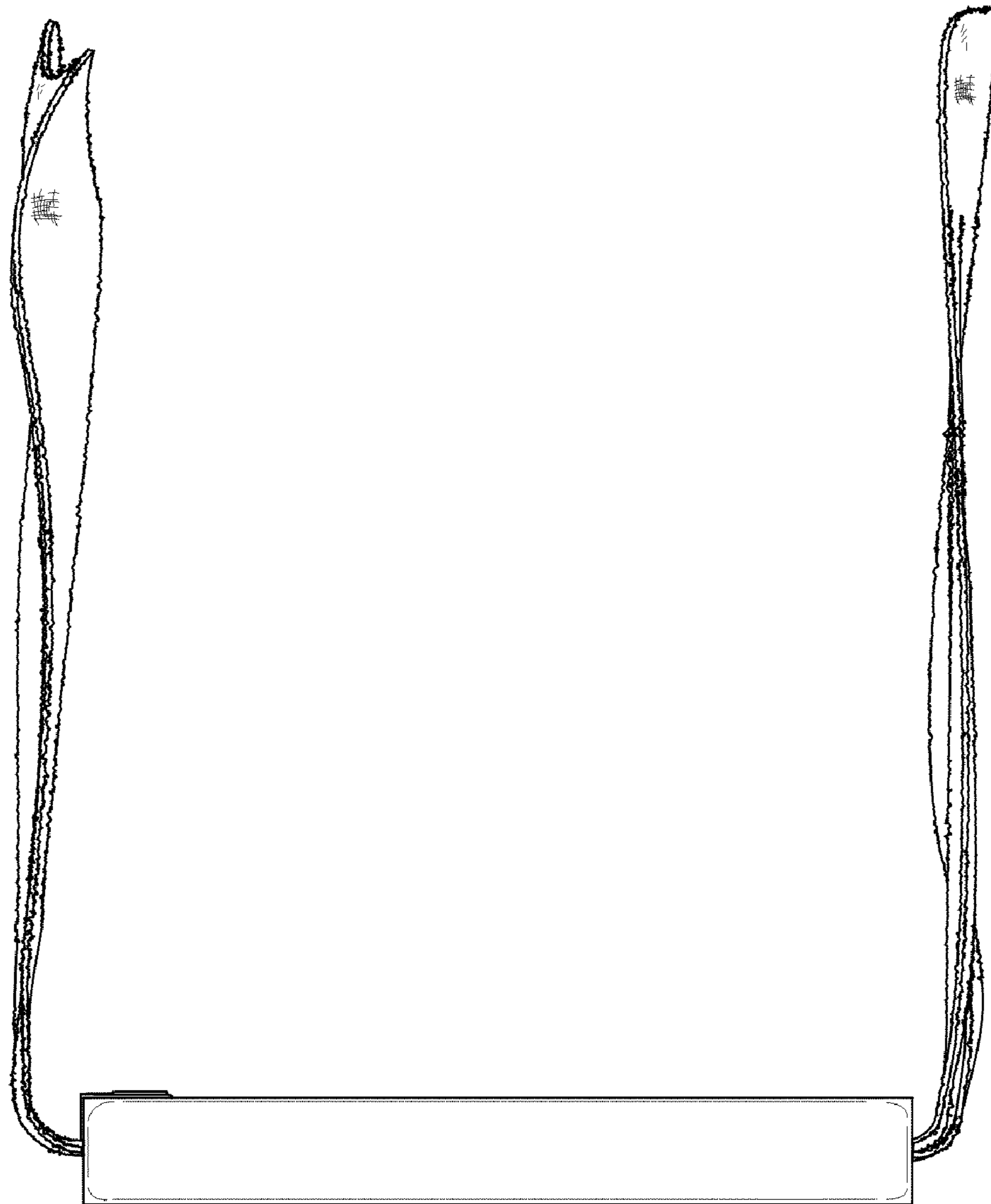


FIG. 5

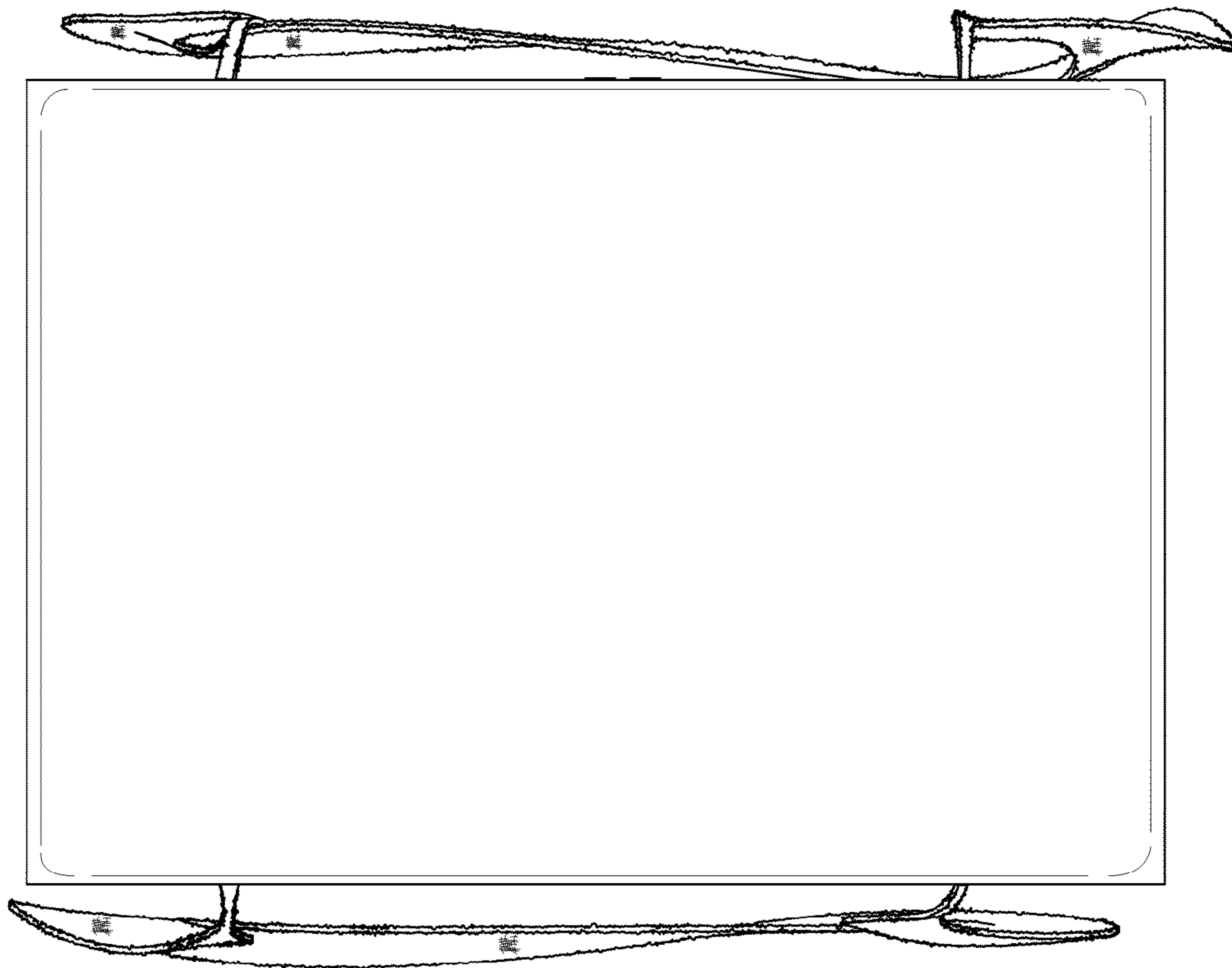


FIG. 6

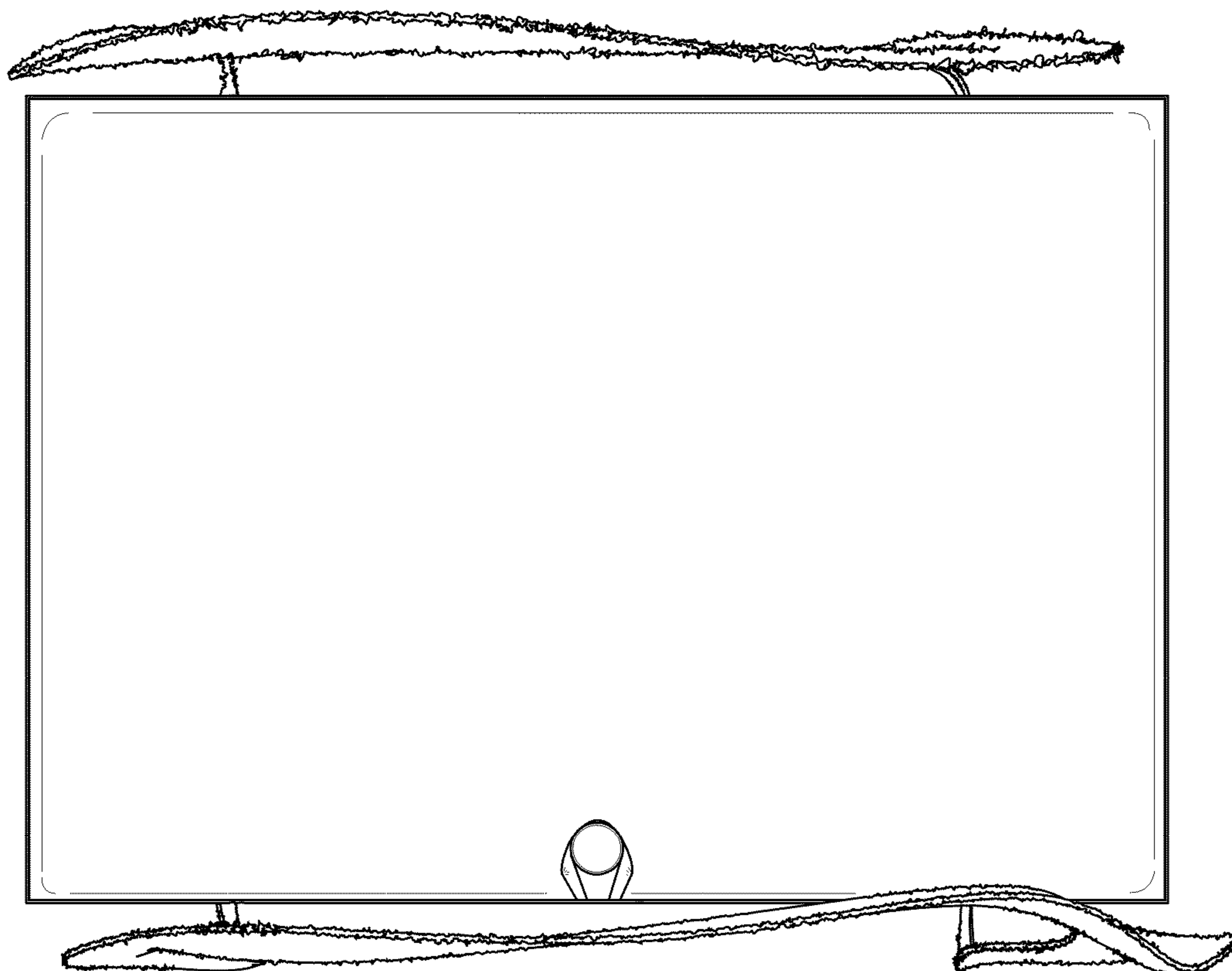


FIG. 7

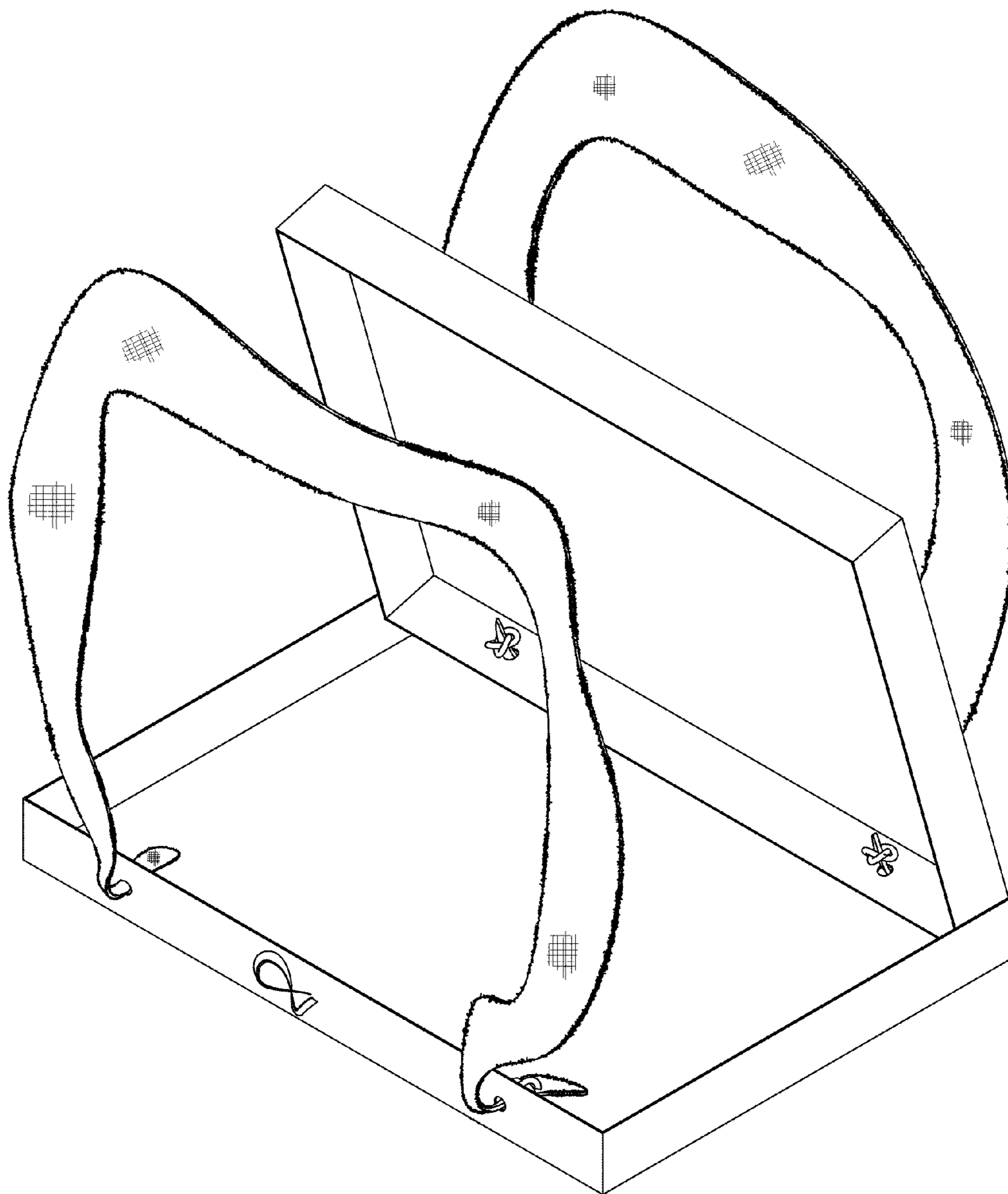


FIG. 8