

US00D650271S

(12) **United States Design Patent**
Cluett et al.

(10) **Patent No.:** **US D650,271 S**
(45) **Date of Patent:** **** Dec. 13, 2011**

(54) **PACKAGE FOR A WINDOW COVERING**
(75) Inventors: **Timothy D. Cluett**, Summerfield, NC (US); **Kristi Jane Georgi**, Dunwoody, GA (US); **Brian Bellamy Johnson**, Atlanta, GA (US); **James McCauley**, Roswell, GA (US); **William Norris Scott**, Decatur, GA (US); **Martin Richard Van Buren**, Atlanta, GA (US); **Russell Dudley Wooten**, Mebane, NC (US)

(73) Assignee: **Newell Window Furnishings, Inc.**, High Pointe, NC (US)

(**) Term: **14 Years**

(21) Appl. No.: **29/366,066**

(22) Filed: **Jul. 19, 2010**

(51) **LOC (9) Cl.** **09-03**

(52) **U.S. Cl.** **D9/432**

(58) **Field of Classification Search** D9/418,
D9/432, 433, 721, 759; 206/279, 315.2,
206/320, 326, 443, 468; 229/169, 221; 29/24.5;
53/429, 473; 160/173 R, 178.1 R, 84.01;
132/255

See application file for complete search history.

(56) **References Cited**

U.S. PATENT DOCUMENTS

D108,605 S *	2/1938	Nagle	D9/433
2,472,516 A *	6/1949	Buttery	229/169
D229,673 S *	12/1973	Danjczek	D9/759
D244,511 S *	5/1977	Frisbey	D9/432
D267,700 S *	1/1983	Skarin	D9/721
D332,569 S *	1/1993	Noble, Jr.	D9/418
D351,557 S *	10/1994	Noble, Jr.	D9/418

6,263,945 B1	7/2001	Nien	
6,793,073 B2	9/2004	Tu	
D640,567 S *	6/2011	Cluett et al. D9/721
D640,568 S *	6/2011	Cluett et al. D9/721
2003/0047473 A1*	3/2003	Nien 206/326
2004/0099547 A1*	5/2004	Ford et al. 206/279
2005/0188515 A1	9/2005	Reimer et al.	
2006/0108078 A1	5/2006	Kollman et al.	
2009/0301039 A1*	12/2009	Caputo 53/473
2011/0016830 A1*	1/2011	Goldberg 53/429

OTHER PUBLICATIONS

U.S. Appl. No. 10/908,728, filed May 24, 2005.
U.S. Appl. No. 12/349,771, filed Jan. 7, 2009.
U.S. Appl. No. 12/839,083, filed Jul. 19, 2010.
U.S. Appl. No. 29/366,069, filed Jul. 19, 2010.
U.S. Appl. No. 29/366,071, filed Jul. 19, 2010.
U.S. Appl. No. 29/366,072, filed Jul. 19, 2010.

* cited by examiner

Primary Examiner — Thomas Johannes

(74) *Attorney, Agent, or Firm* — Dennis J. Williamson;
Moore & Van Allen, PLLC

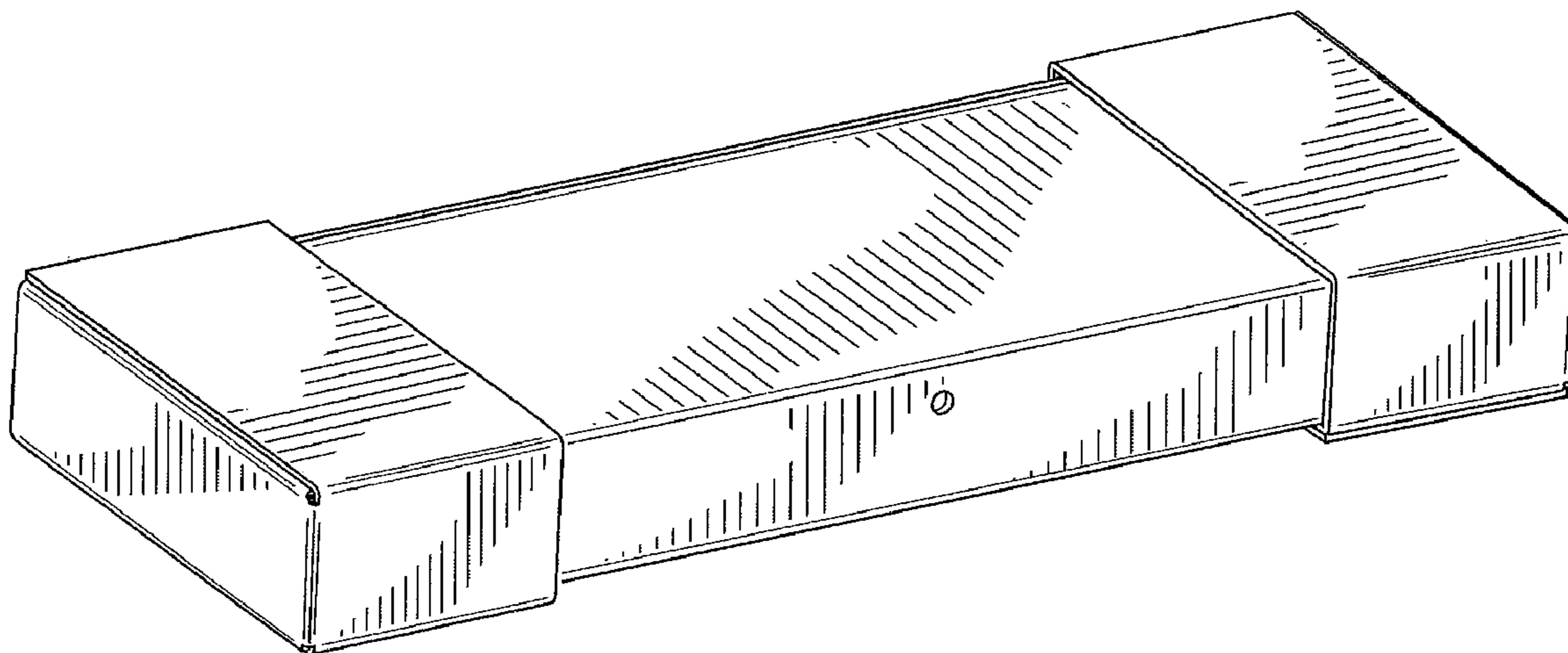
(57) **CLAIM**

We claim the ornamental design for a package for a window covering, as shown and described.

DESCRIPTION

FIG. 1 is a perspective view showing our new design for a package for a window covering;
FIG. 2 is a back elevation view thereof;
FIG. 3 is a front elevation view thereof;
FIG. 4 is a top plan view thereof;
FIG. 5 is a bottom plan view thereof;
FIG. 6 is a right side elevation view thereof; and,
FIG. 7 is a left side elevation view thereof.

1 Claim, 4 Drawing Sheets



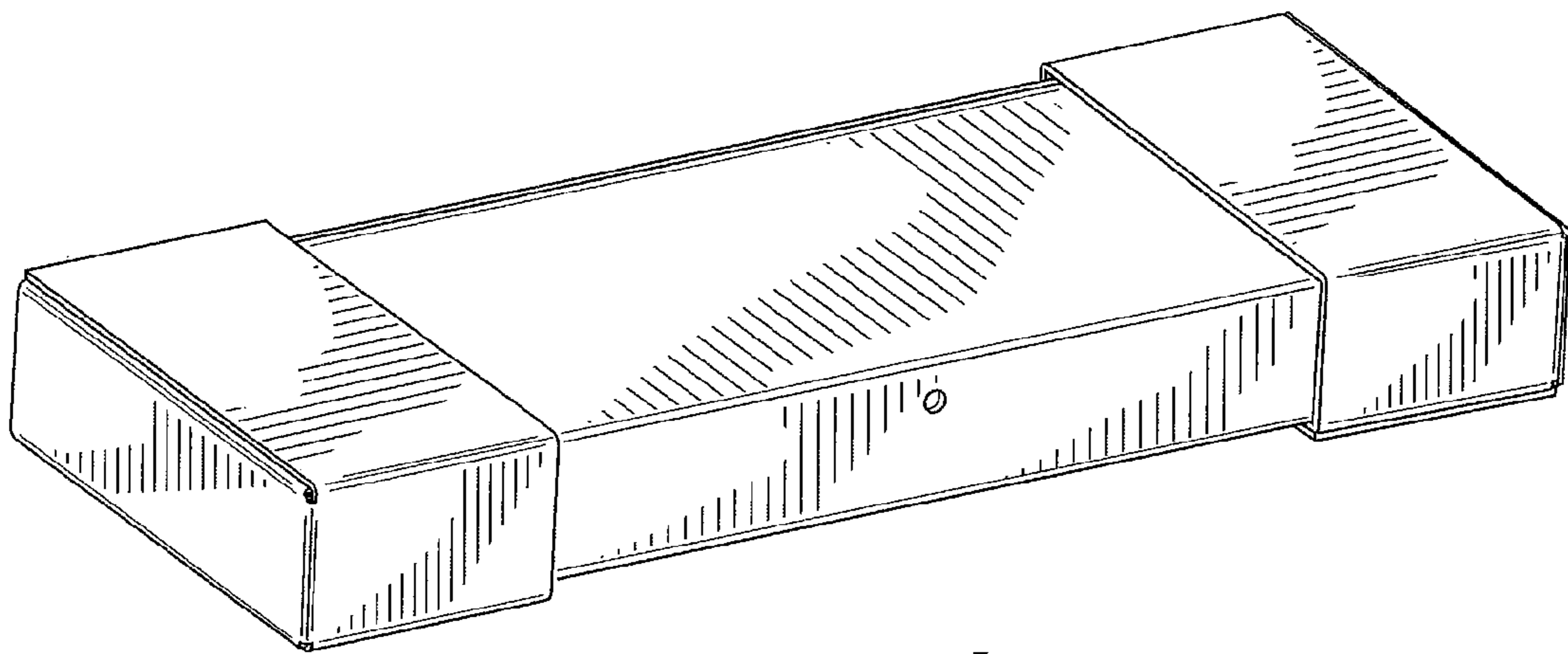


FIG. 1

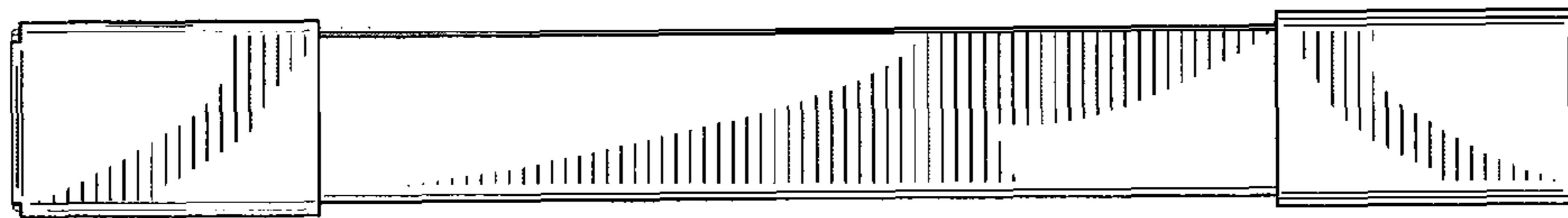


FIG. 2

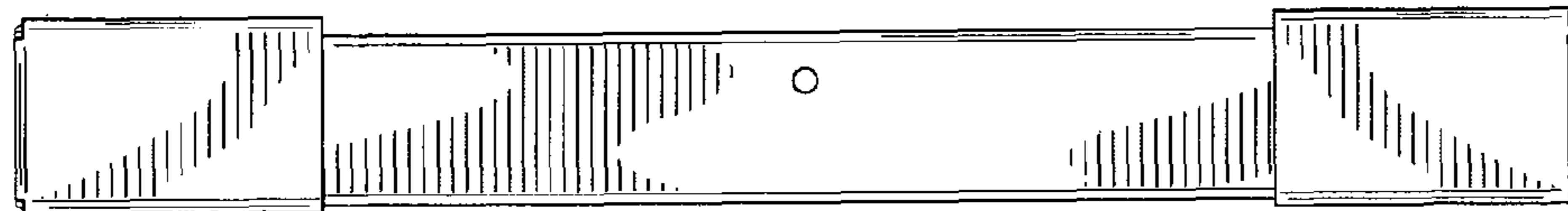


FIG. 3

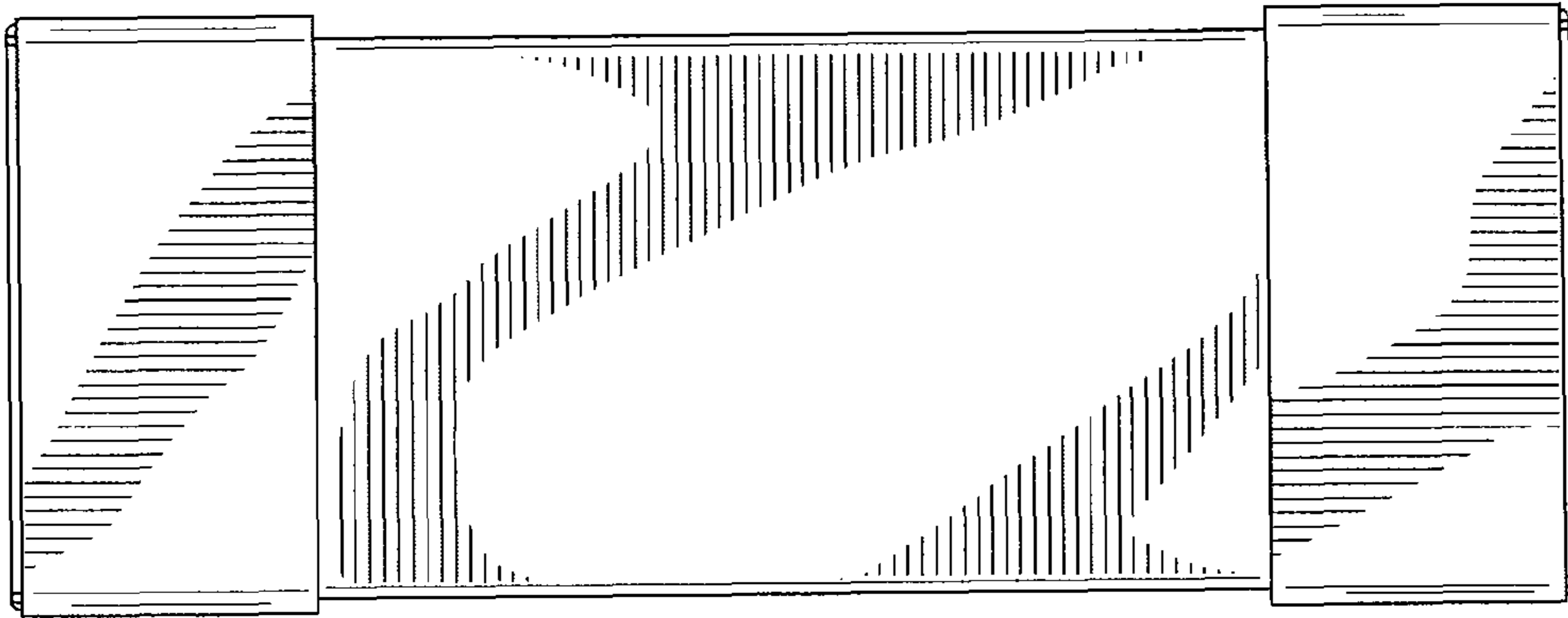


FIG. 4

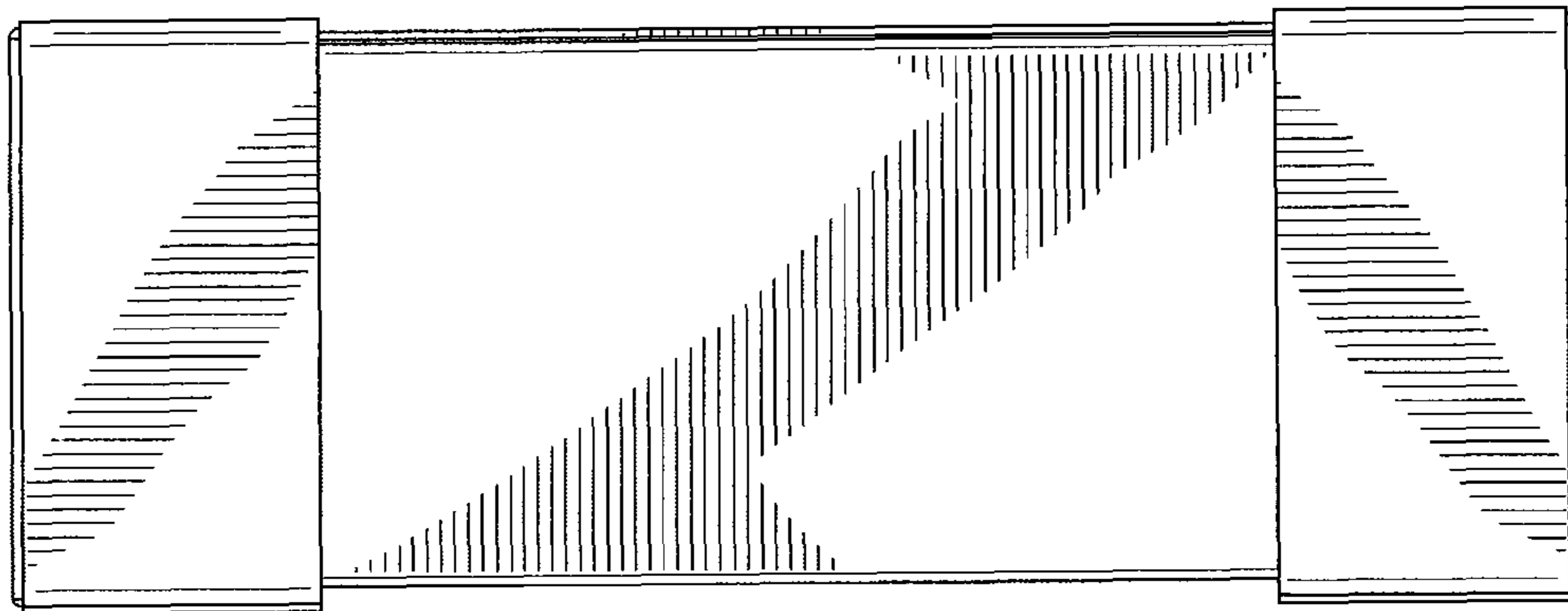


FIG. 5

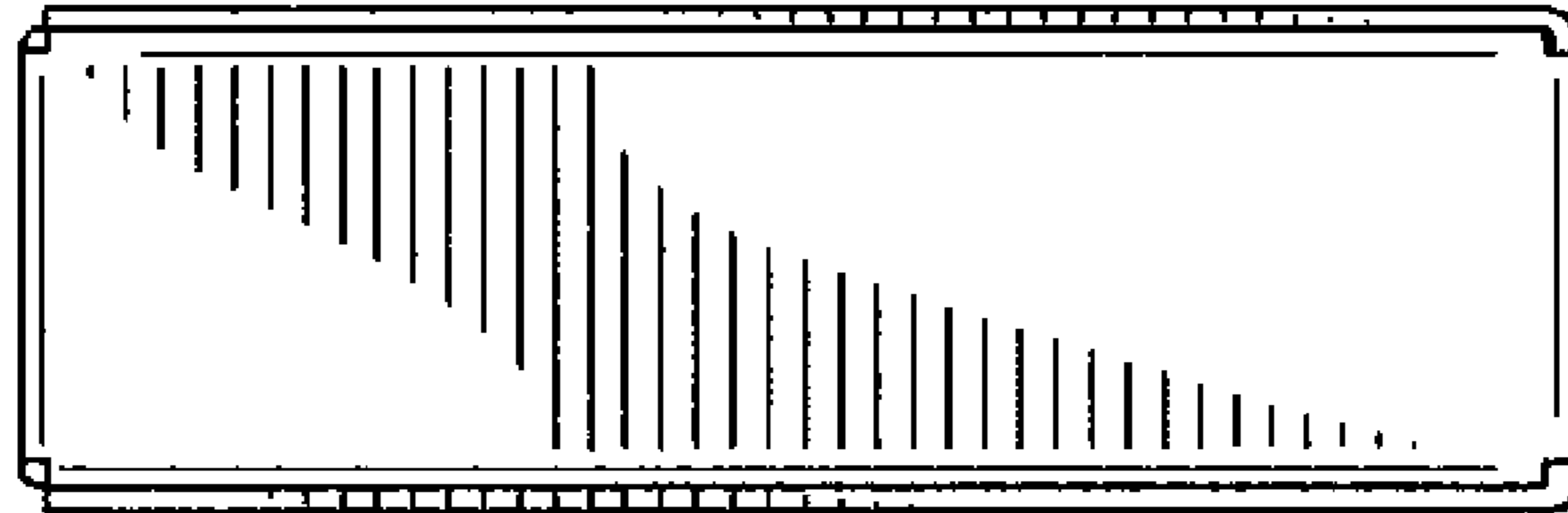


FIG. 6

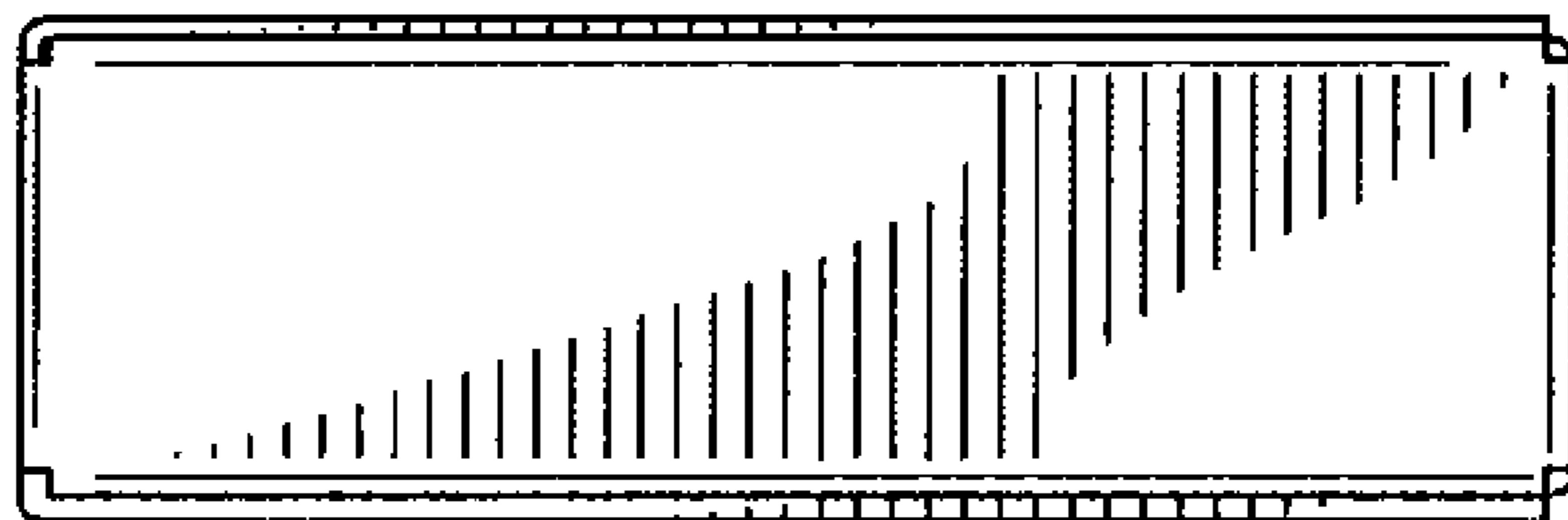


FIG. 7