



US00D650269S

(12) **United States Design Patent**  
**Berggren**

(10) **Patent No.:** **US D650,269 S**

(45) **Date of Patent:** **\*\* Dec. 13, 2011**

(54) **TOBACCO BOX**

(75) Inventor: **Adam Berggren**, Malmö (SE)

(73) Assignee: **Fielder & Lundgren AB**, Malmö (SE)

(\*\*) Term: **14 Years**

(21) Appl. No.: **29/392,567**

(22) Filed: **May 24, 2011**

**Related U.S. Application Data**

(62) Division of application No. 29/354,890, filed on Jan. 29, 2010, now Pat. No. Des. 640,546.

(30) **Foreign Application Priority Data**

Aug. 5, 2009 (EM) ..... 001157606

(51) **LOC (9) Cl.** ..... **09-03**

(52) **U.S. Cl.** ..... **D9/428; D9/423**

(58) **Field of Classification Search** ..... 222/92;  
206/6.1, 5.1, 303, 530-538, 566, 581, 823,  
206/459.5; 220/8, 4.26, 4.27, 253, 288, 376,  
220/380, 907; 229/4.5; 132/293-294, 315;  
D28/7-8, 76-82; D3/203.1-203.8, 201,  
D3/205; D9/428, 414, 420-424, 503, 504,  
D9/521, 337

See application file for complete search history.

(56) **References Cited**

U.S. PATENT DOCUMENTS

4,165,815	A *	8/1979	Vetter	.....	220/4.27
D403,470	S *	12/1998	Litton et al.	.....	D28/82
D431,458	S *	10/2000	Bried et al.	.....	D3/203.2
D441,144	S *	4/2001	Vanoncini	.....	D28/82
D464,886	S *	10/2002	Bried et al.	.....	D9/504
D503,889	S *	4/2005	Yeung	.....	D9/549
D603,698	S *	11/2009	VerWeyst	.....	D9/500
D625,047	S *	10/2010	Gibson et al.	.....	D27/183
D637,903	S *	5/2011	Ghiotti et al.	.....	D9/428
D640,545	S *	6/2011	Gibson et al.	.....	D9/428
D640,546	S *	6/2011	Berggren	.....	D9/428
2005/0173272	A1 *	8/2005	Lemmons	.....	206/256
2006/0060480	A1 *	3/2006	Budd	.....	206/266
2010/0012534	A1 *	1/2010	Hoffman	.....	206/265

\* cited by examiner

*Primary Examiner* — Thomas Johannes

(74) *Attorney, Agent, or Firm* — Chadbourne & Parke LLP;  
Walter G. Hanchuk

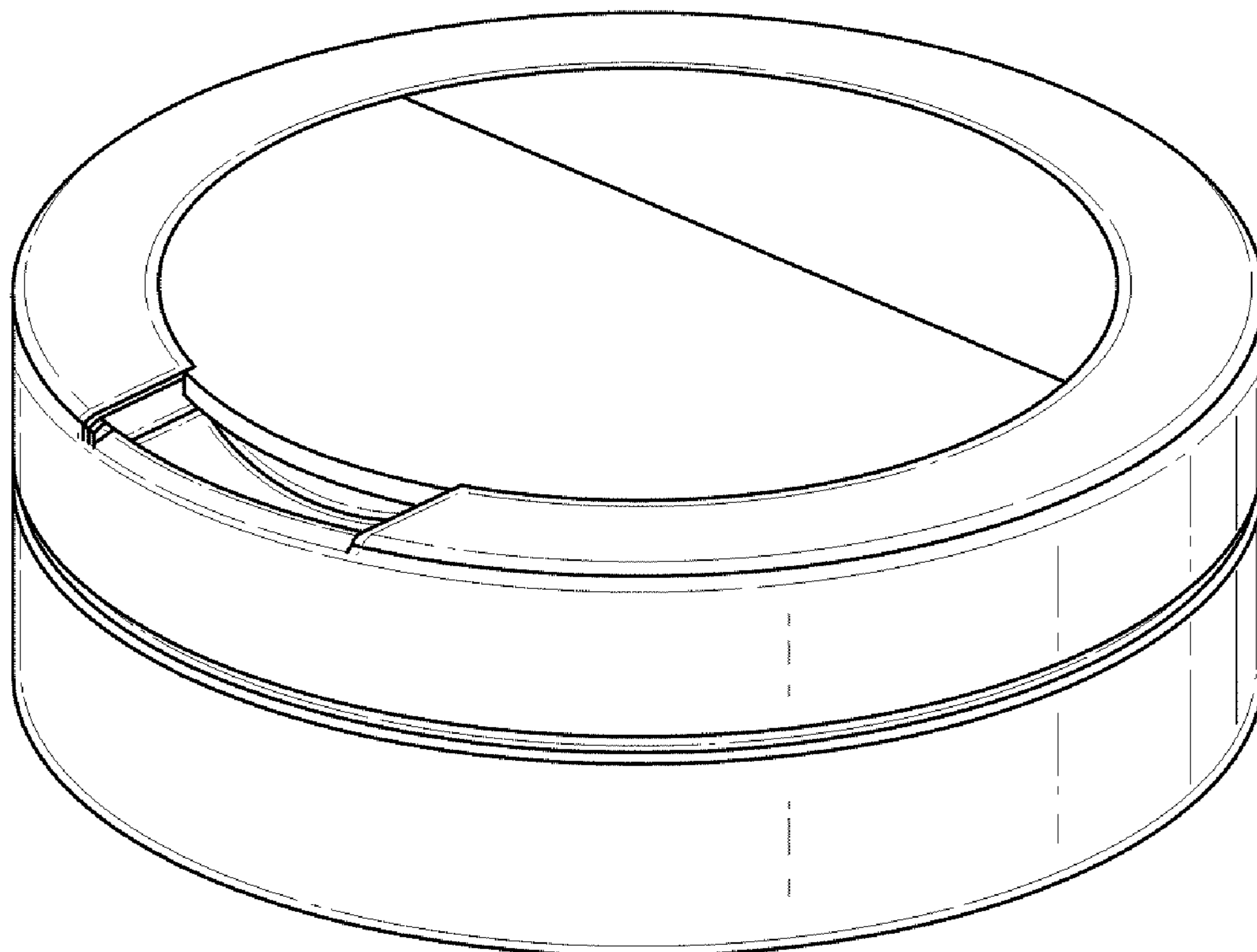
(57) **CLAIM**

The ornamental design for a tobacco box, as shown and described.

**DESCRIPTION**

FIG. 1 is a front top perspective view of a tobacco box showing my new design;  
FIG. 2 is a top plan view thereof;  
FIG. 3 is a bottom plan view thereof;  
FIG. 4 is a front side elevation view thereof; and,  
FIG. 5 is a rear side elevation view thereof.

**1 Claim, 2 Drawing Sheets**



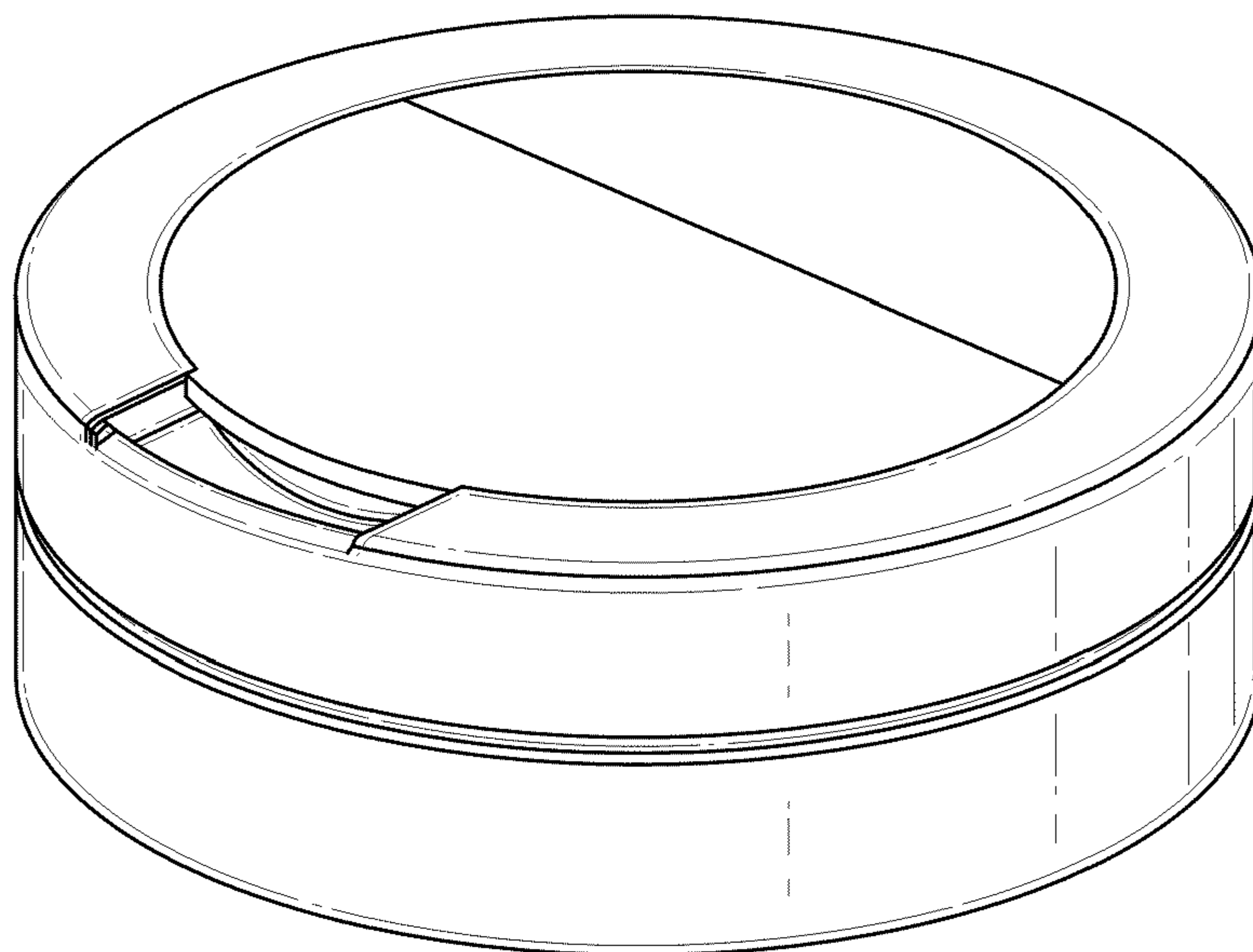


FIG. 1

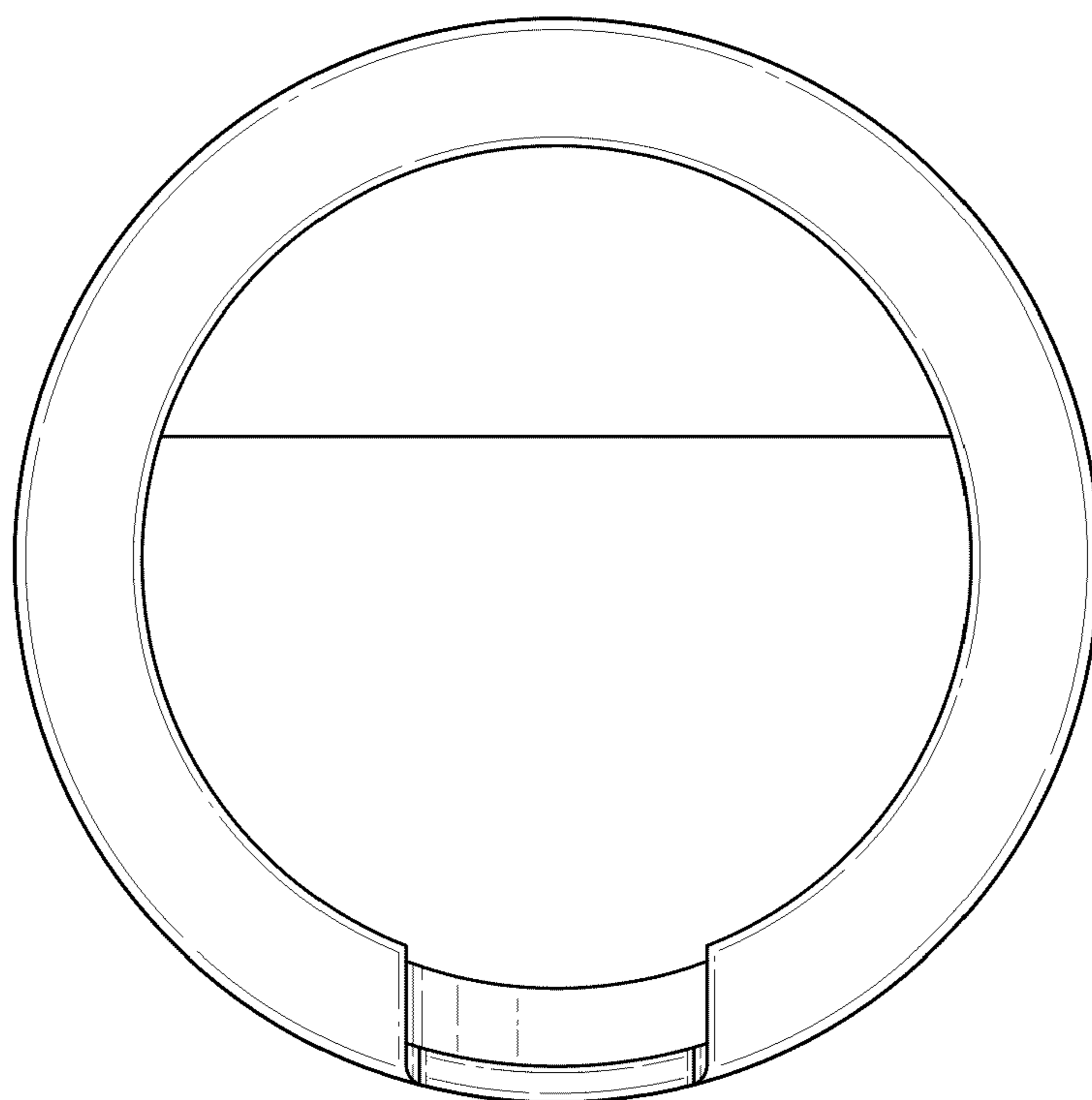
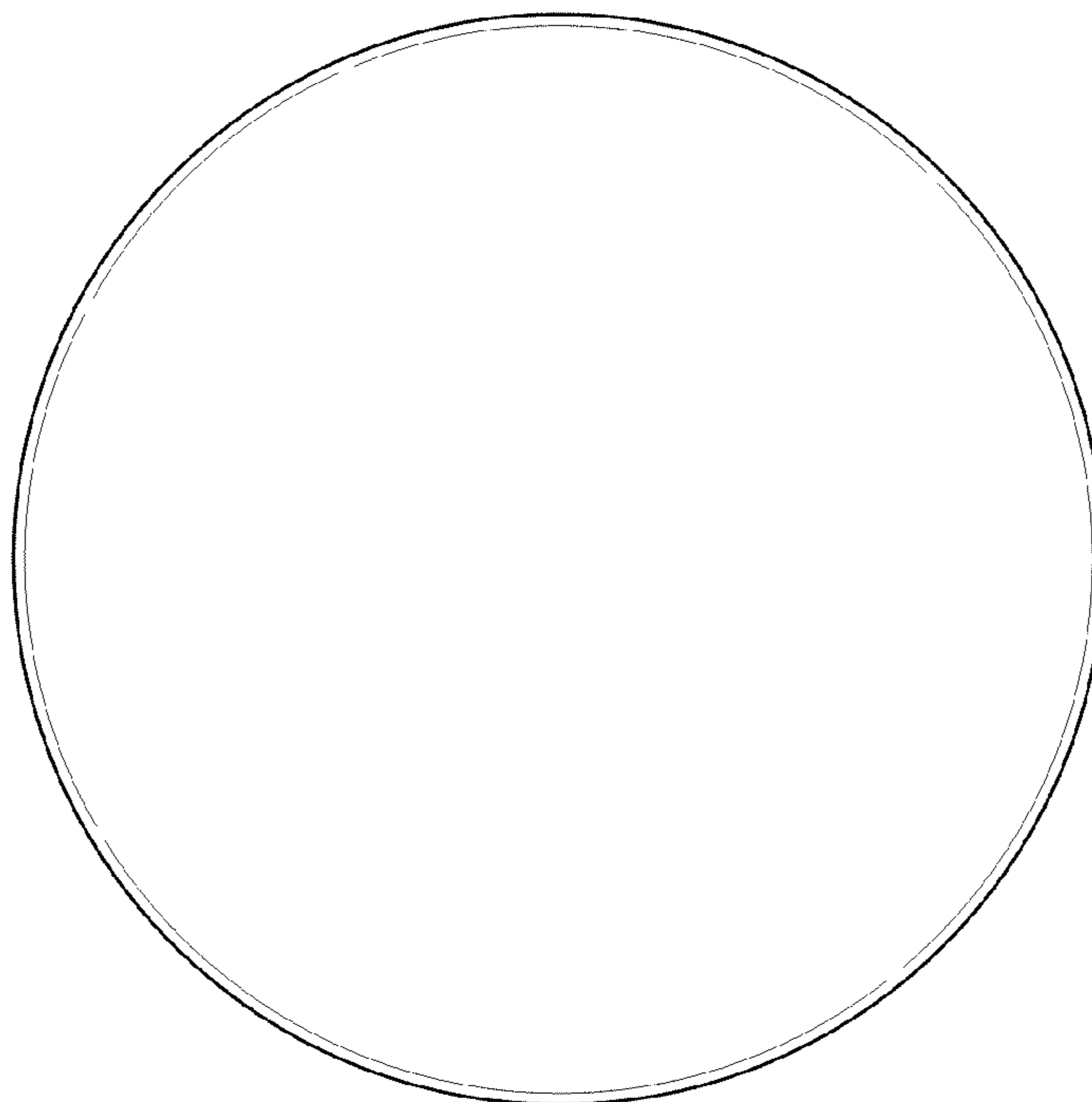
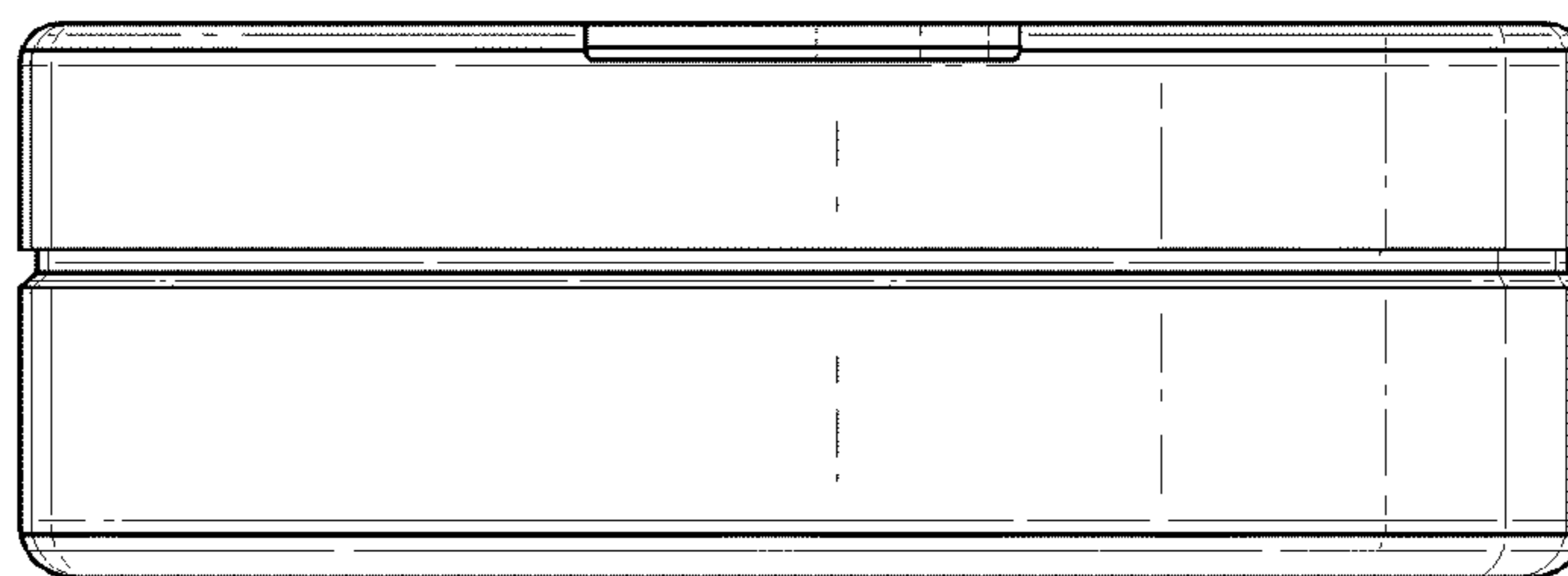


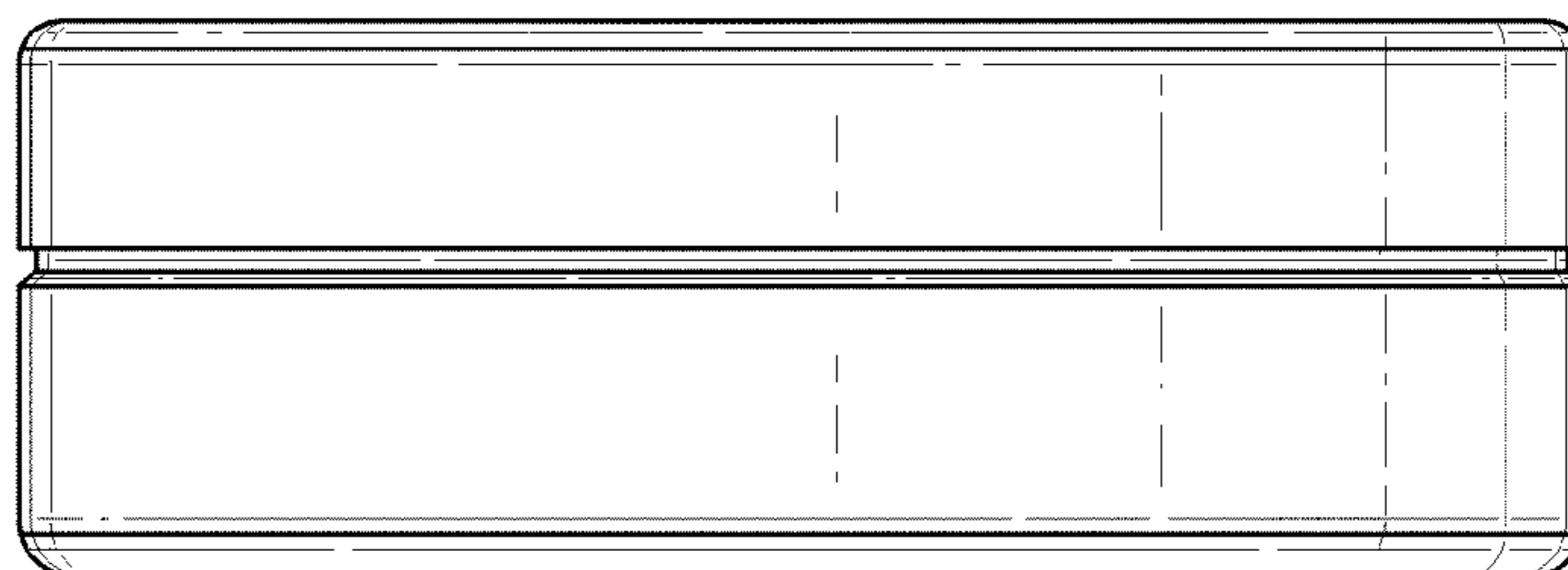
FIG. 2



**FIG. 3**



**FIG. 4**



**FIG. 5**