



US00D650268S

(12) **United States Design Patent**
Gibson et al.

(10) **Patent No.:** **US D650,268 S**

(45) **Date of Patent:** **** Dec. 13, 2011**

(54) **TOBACCO BOX**

(75) Inventors: **Paul Gibson**, London (GB); **Aaron McKenzie**, London (GB)

(73) Assignee: **British American Tobacco (Investments) Limited**, London (GB)

(**) Term: **14 Years**

(21) Appl. No.: **29/392,167**

(22) Filed: **May 18, 2011**

Related U.S. Application Data

(62) Division of application No. 29/340,958, filed on Jul. 28, 2009, now Pat. No. Des. 640,131.

(30) **Foreign Application Priority Data**

Jan. 29, 2009 (EM) 001081723

(51) **LOC (9) Cl.** **09-03**

(52) **U.S. Cl.** **D9/428; D9/420**

(58) **Field of Classification Search** 206/236-276;
D9/504, 420, 423-428, 430-433, 737, 738,
D9/759, 770; D27/105, 172, 183-194; 131/329
See application file for complete search history.

(56) **References Cited**

U.S. PATENT DOCUMENTS

D474,402	S	*	5/2003	Baerenwald	D9/420
D594,154	S	*	6/2009	Patel et al.	D27/189
D609,855	S	*	2/2010	Patel et al.	D27/189
D617,043	S	*	6/2010	Patel et al.	D27/189
D640,131	S	*	6/2011	Gibson et al.	D9/428
D640,546	S	*	6/2011	Berggren	D9/428
2010/0018882	A1	*	1/2010	St. Charles	206/242
2010/0018883	A1	*	1/2010	Patel	206/256

* cited by examiner

Primary Examiner — Thomas Johannes

(74) *Attorney, Agent, or Firm* — Chadbourne & Parke LLP; Walter G. Hanchuk

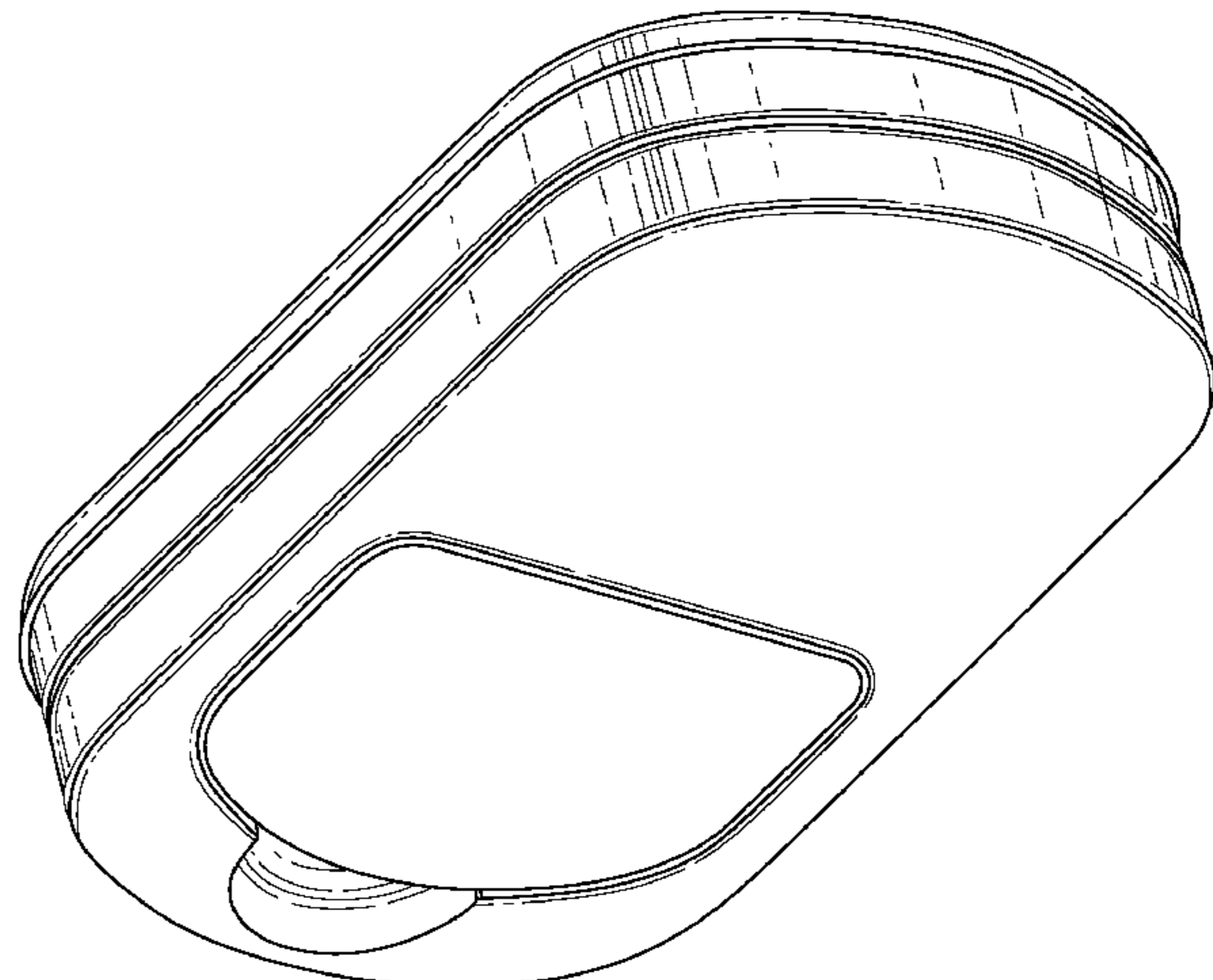
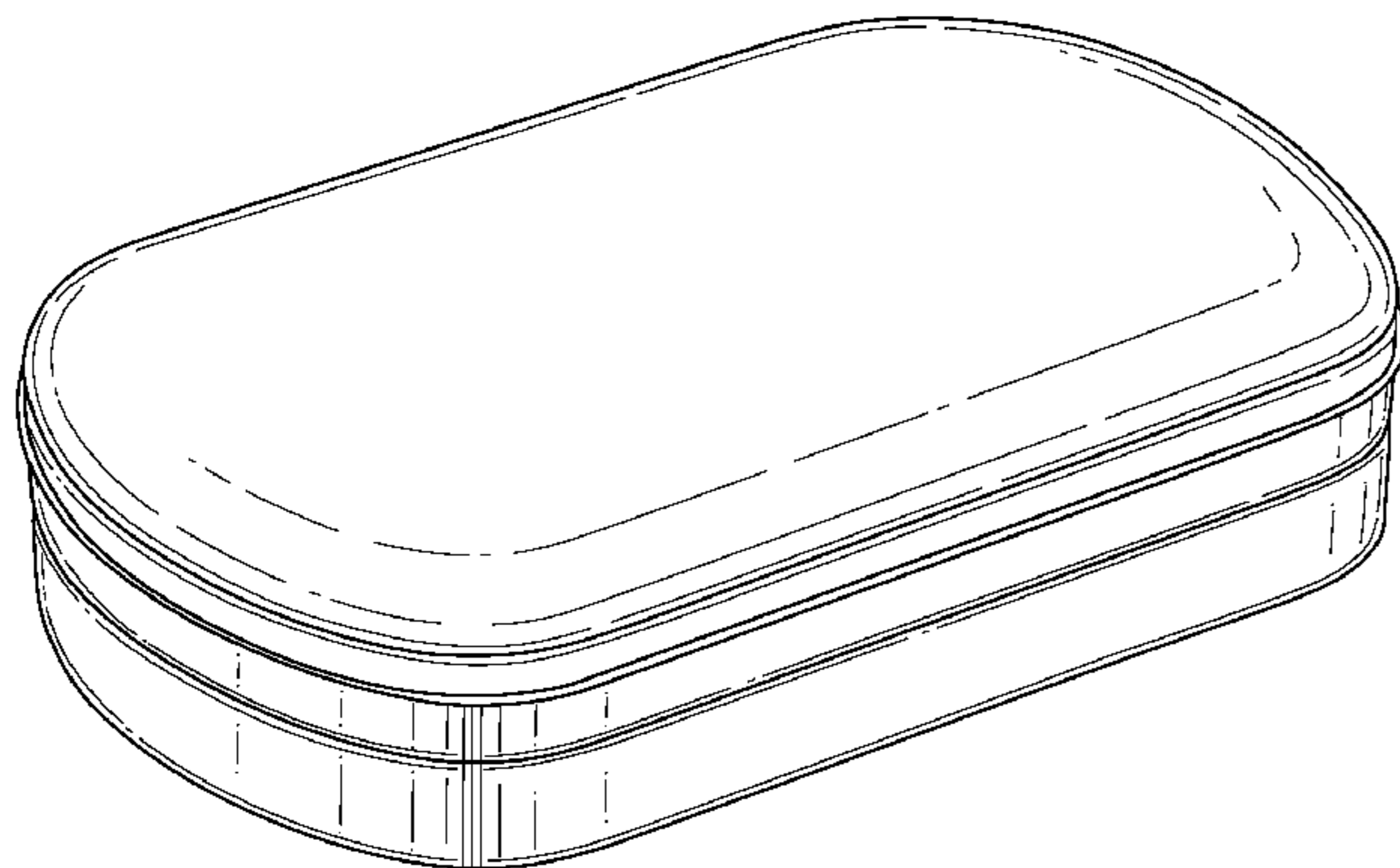
(57) **CLAIM**

The ornamental design for a tobacco box, as shown and described.

DESCRIPTION

FIG. 1 is an top right front perspective view showing our new design for a tobacco box;
FIG. 2 is a bottom left front perspective view thereof;
FIG. 3 is an top plan view thereof;
FIG. 4 is a bottom plan view thereof;
FIG. 5 is a front elevation view thereof, the rear view being a mirror image; and,
FIG. 6 is a right side elevation view thereof, the left side view being a mirror image.

1 Claim, 3 Drawing Sheets



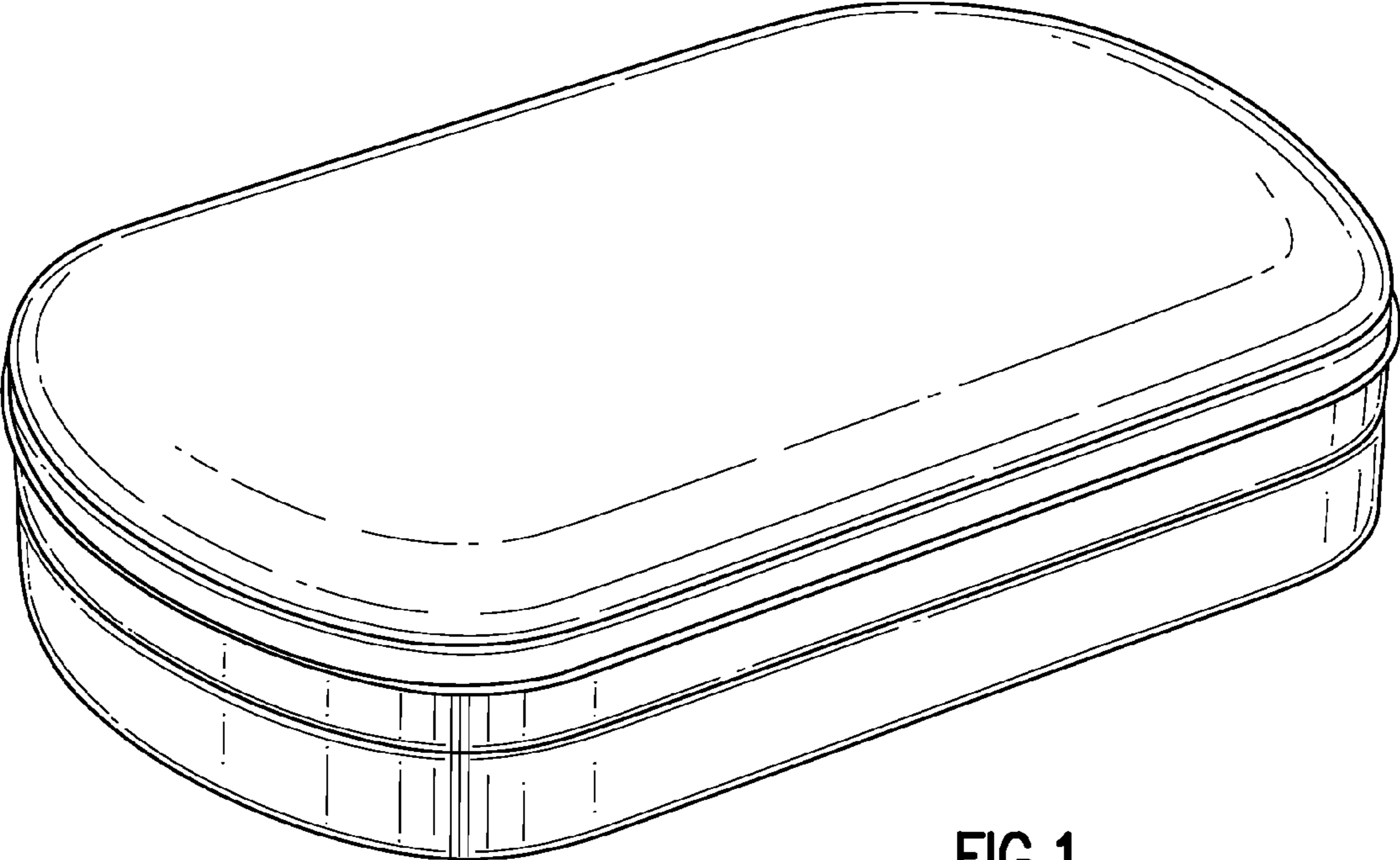


FIG.1

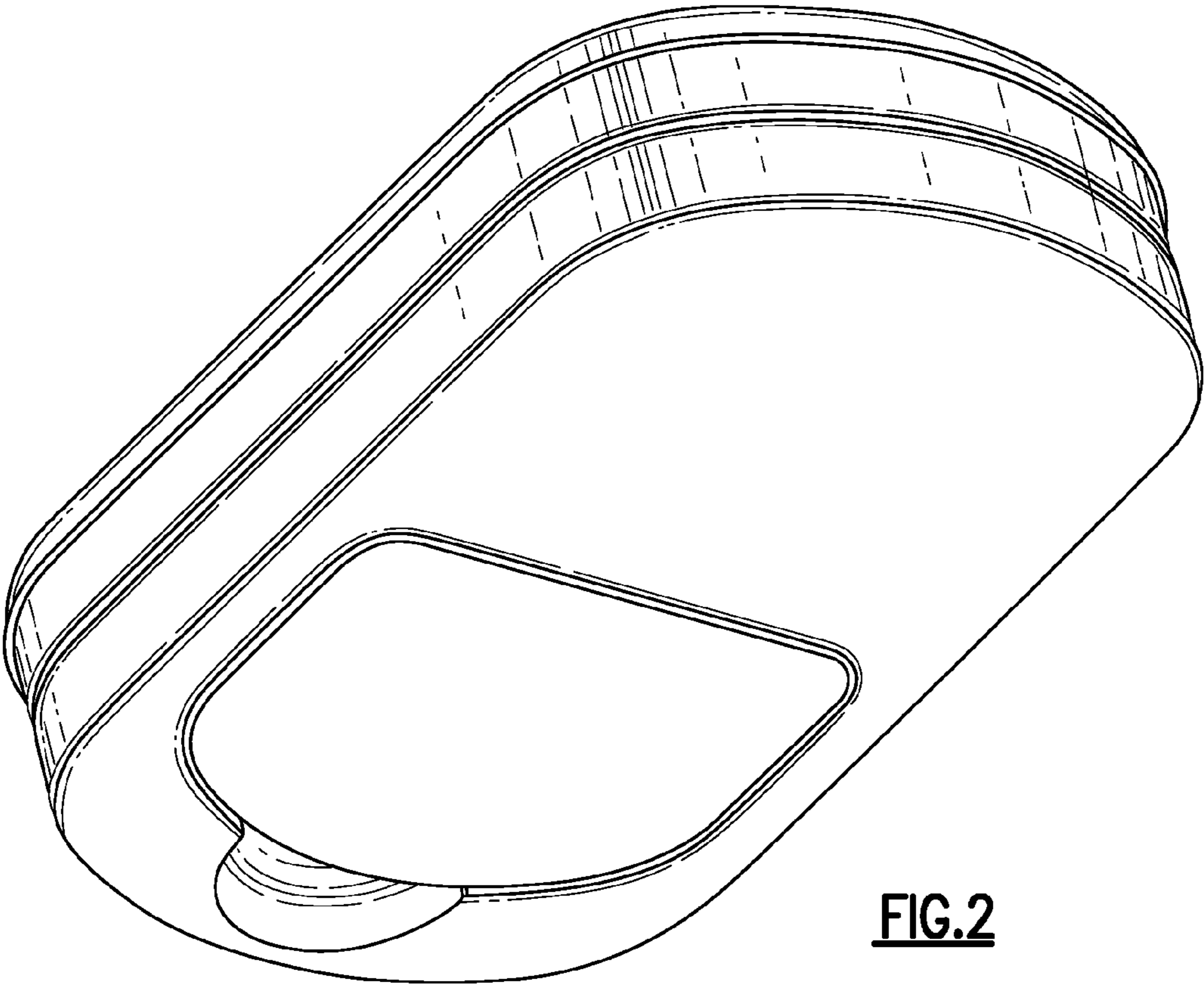


FIG.2

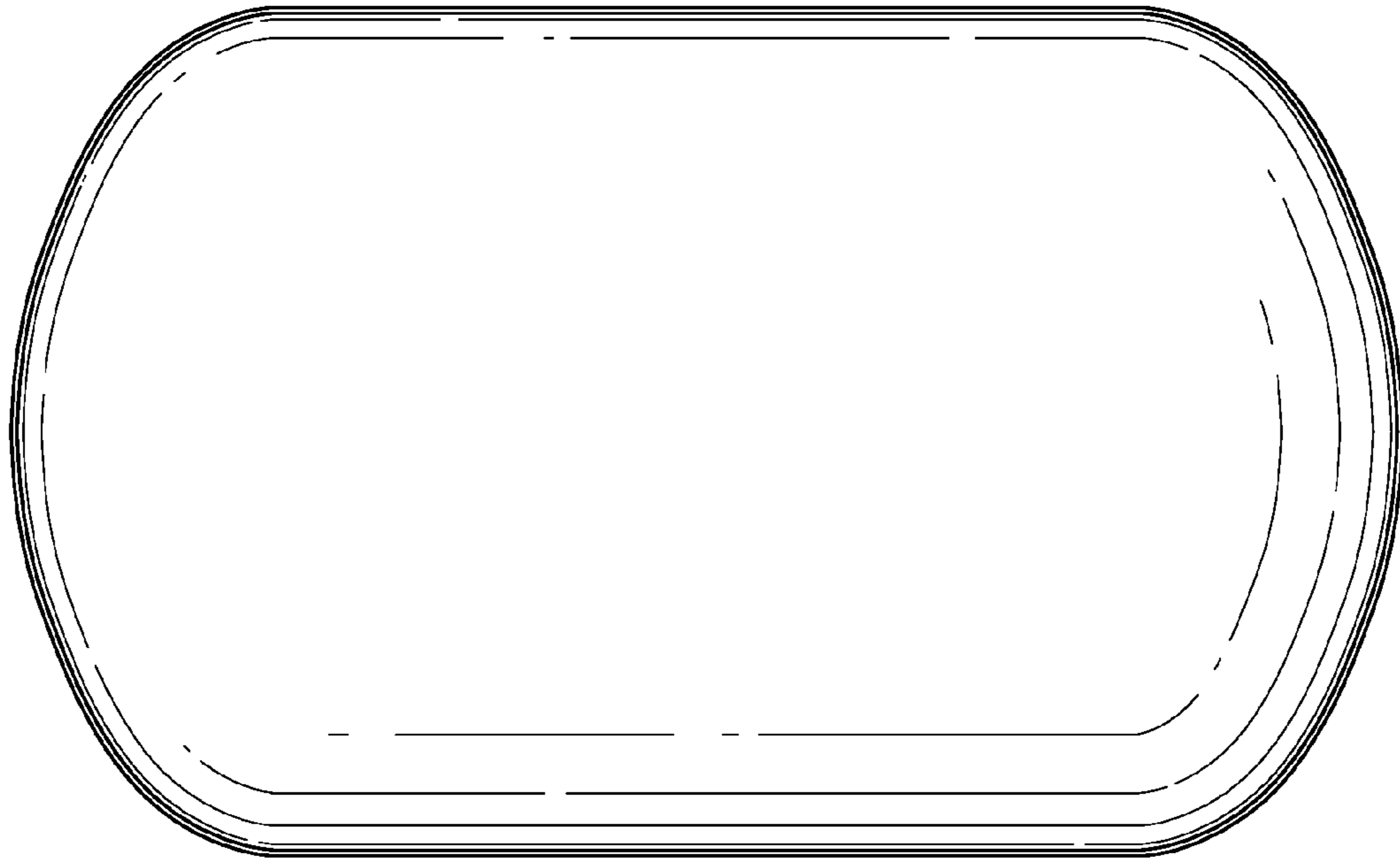


FIG. 3

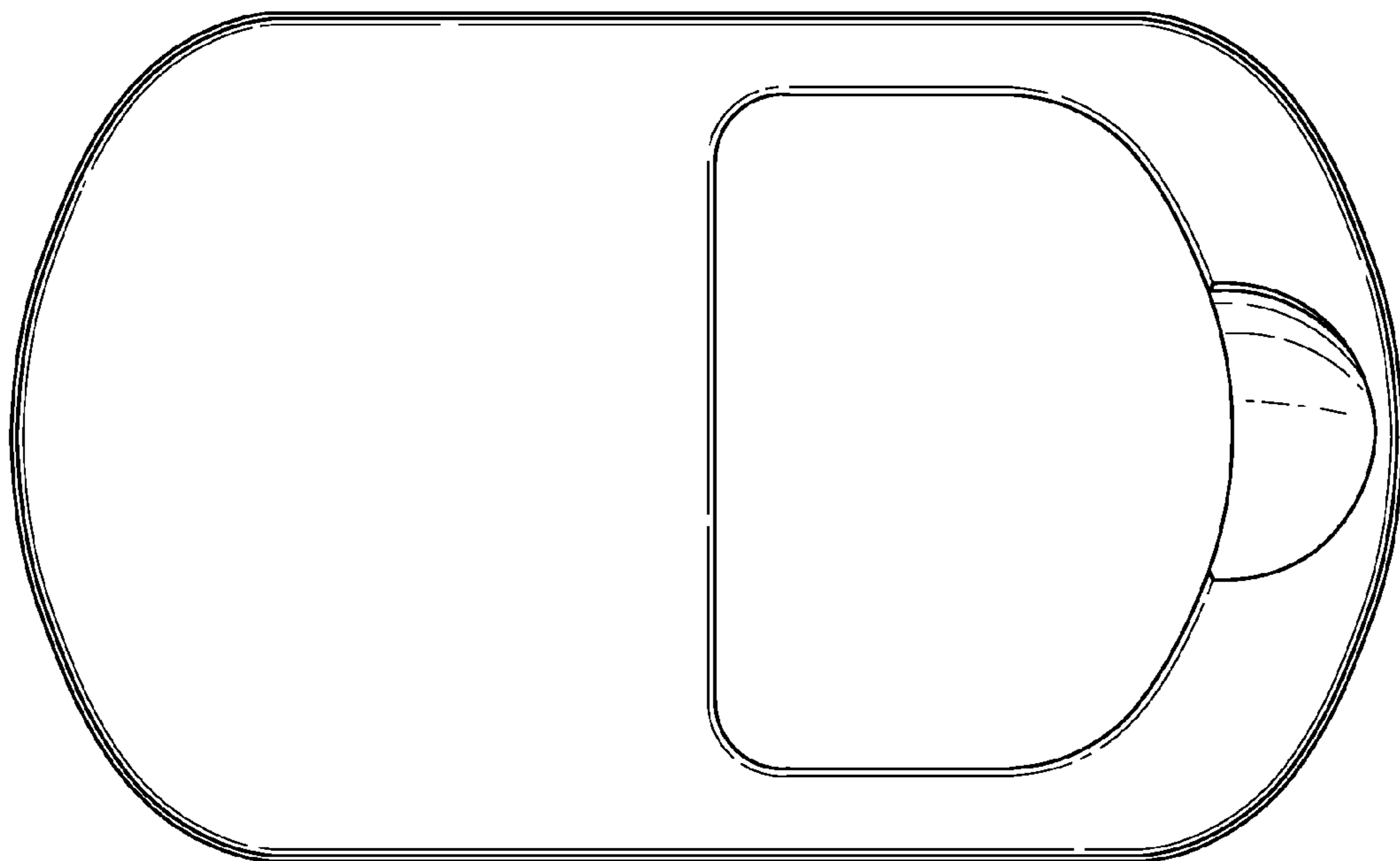


FIG. 4

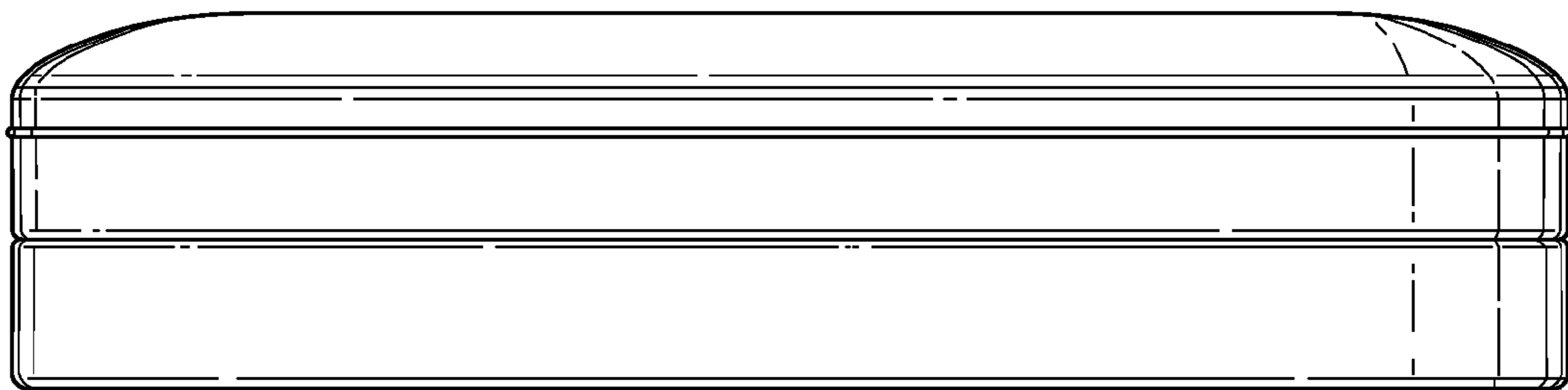


FIG. 5

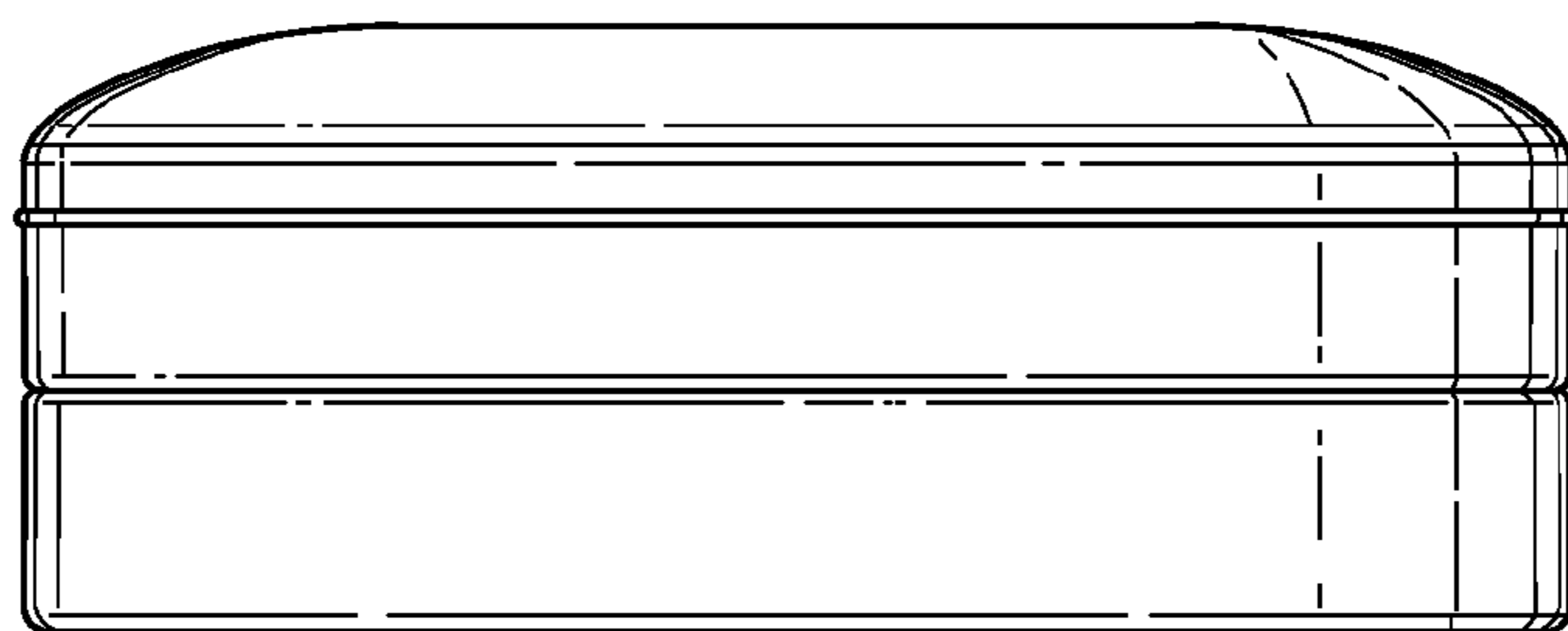


FIG. 6