



US00D650265S

(12) **United States Design Patent**  
**Wong**

(10) **Patent No.:** **US D650,265 S**

(45) **Date of Patent:** **\*\* Dec. 13, 2011**

(54) **COMPACT CORD LOCK**

(76) Inventor: **Ming Lu Wong**, Kaohsiung (TW)

(\*\*) Term: **14 Years**

(21) Appl. No.: **29/384,387**

(22) Filed: **Jan. 31, 2011**

(51) **LOC (9) Cl.** ..... **08-08**

(52) **U.S. Cl.** ..... **D8/383**

(58) **Field of Classification Search** ..... D8/383,  
D8/356, 371, 394-395; 24/115 R, 115 G,  
24/115 H, 265 CD, 269.2, 74.2

See application file for complete search history.

(56) **References Cited**

**U.S. PATENT DOCUMENTS**

D113,898 S *	3/1939	Nisenson	.....	D8/394
D319,571 S *	9/1991	Bennett et al.	.....	D8/356
D340,226 S *	10/1993	Sachs	.....	D13/154
5,836,060 A *	11/1998	Profit	.....	24/698.2
6,256,844 B1 *	7/2001	Wheatley	.....	24/265 CD
D541,141 S *	4/2007	Chou	.....	D8/383

D637,478 S \* 5/2011 Kalbach ..... D8/383

\* cited by examiner

*Primary Examiner* — Cynthia M Chin

*Assistant Examiner* — Sheryl Lane

(74) *Attorney, Agent, or Firm* — Ming Chow; Sinorica, LLC

(57) **CLAIM**

The ornamental design for a compact cord lock, as shown and described.

**DESCRIPTION**

FIG. 1 is a perspective view of a compact cord lock.

FIG. 2 is a front view thereof;

FIG. 3 is a rear view thereof;

FIG. 4 is a left side view thereof;

FIG. 5 is a right side view thereof;

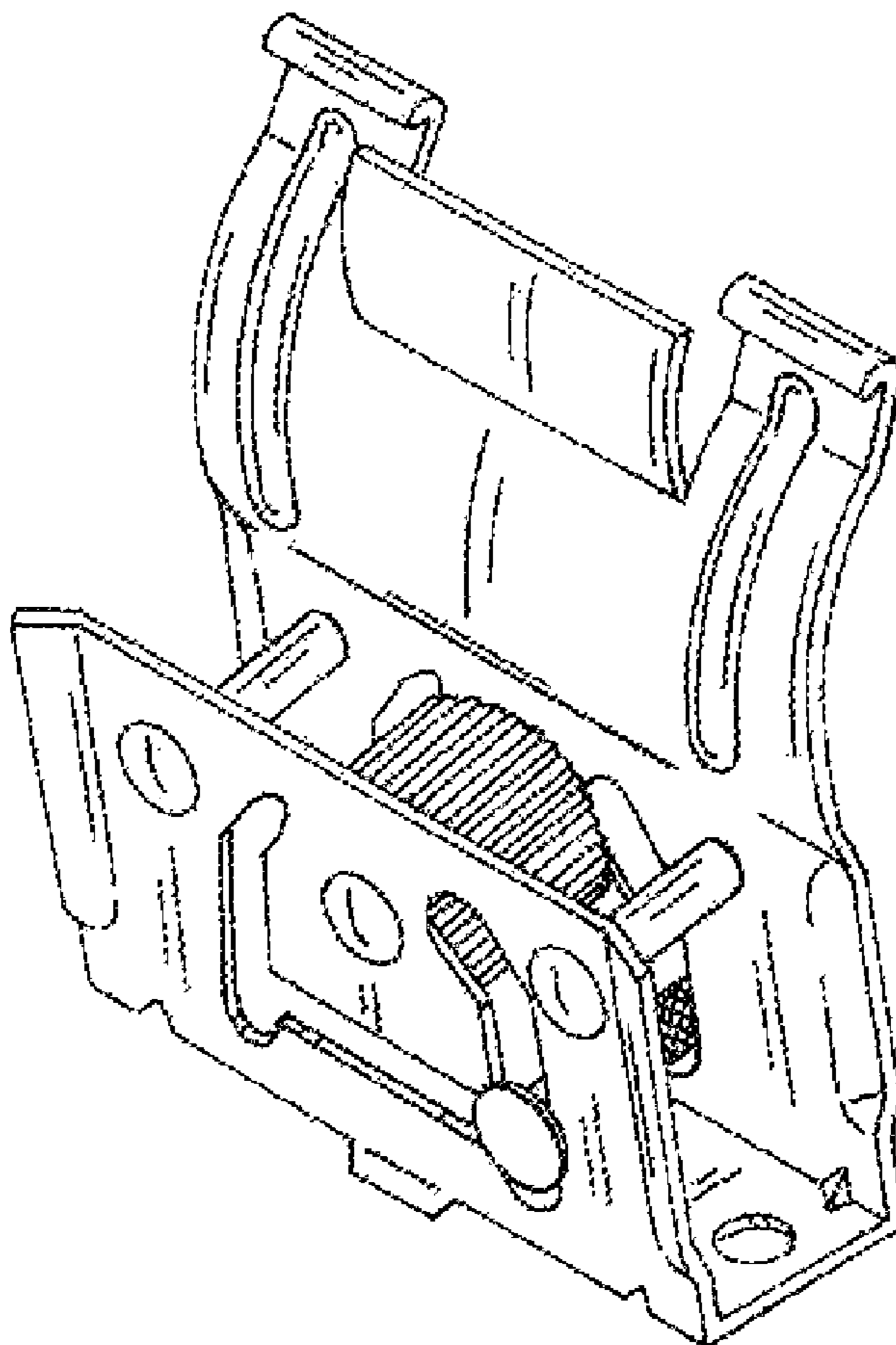
FIG. 6 is a top view thereof;

FIG. 7 is a bottom view thereof; and,

FIG. 8 is a perspective view of the compact cord lock shown in condition of use with broken line environmental structure.

The broken line showing of environmental structure is for illustrative purposes only and forms no part of the claimed design.

**1 Claim, 5 Drawing Sheets**



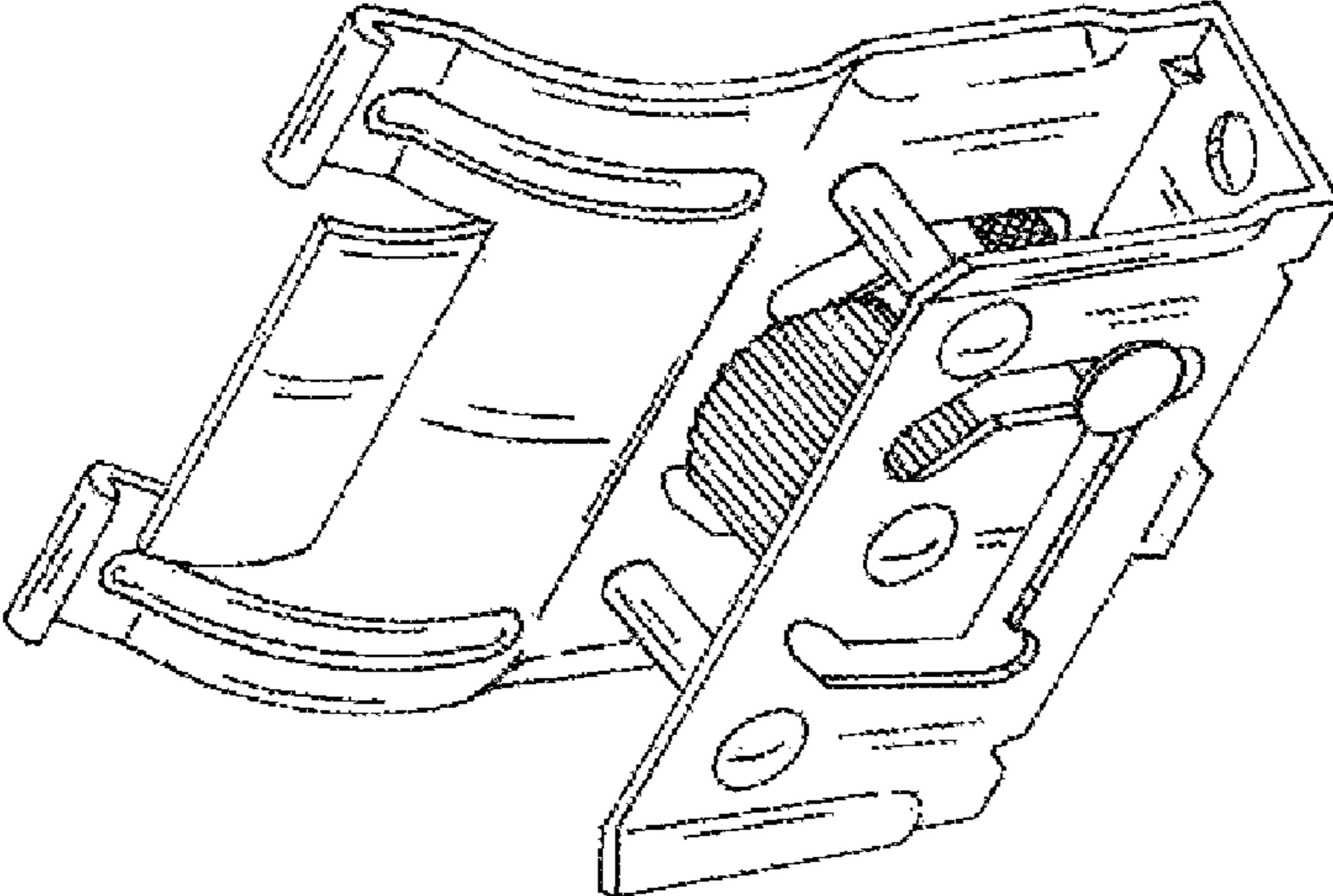


FIG 1

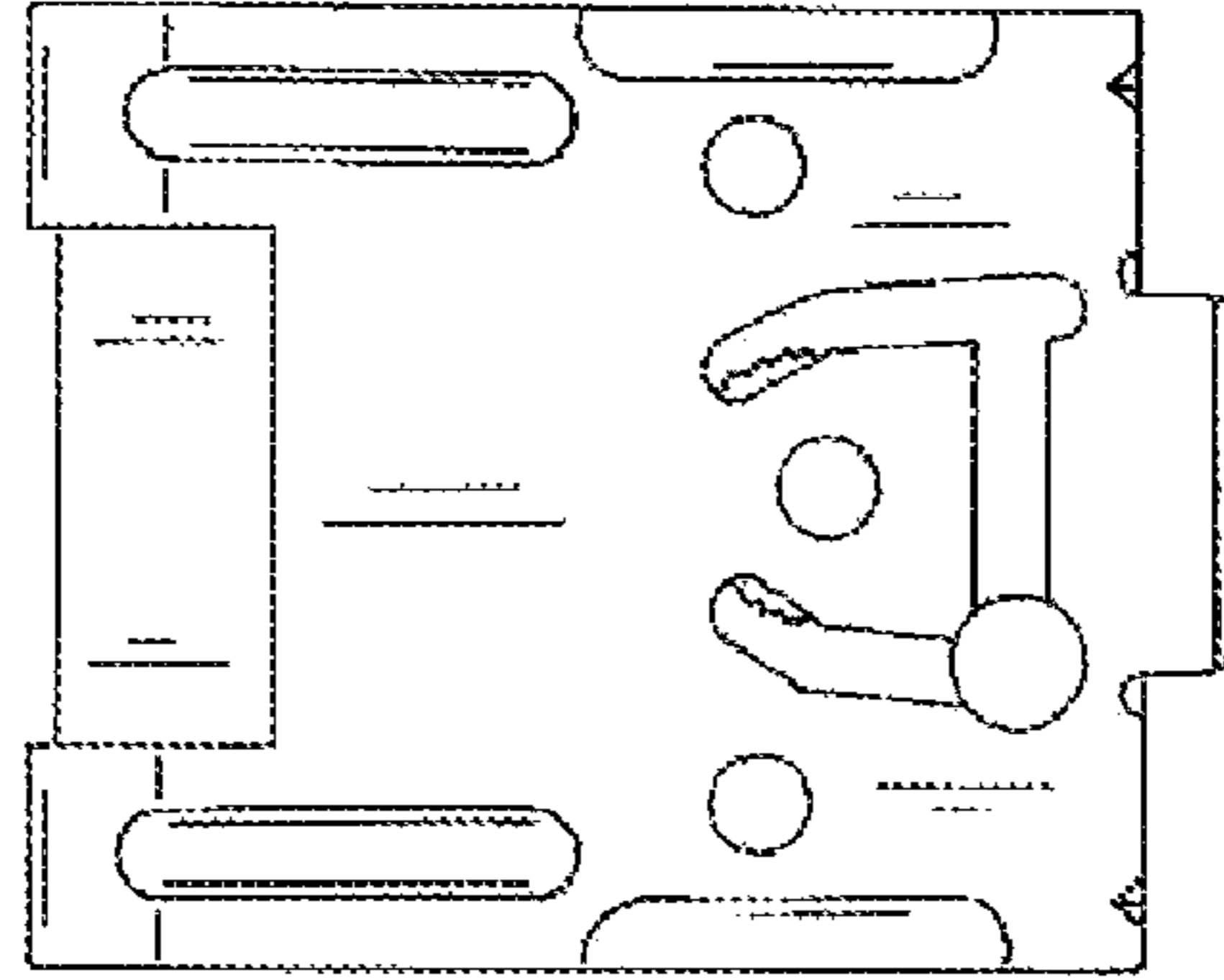


FIG 3

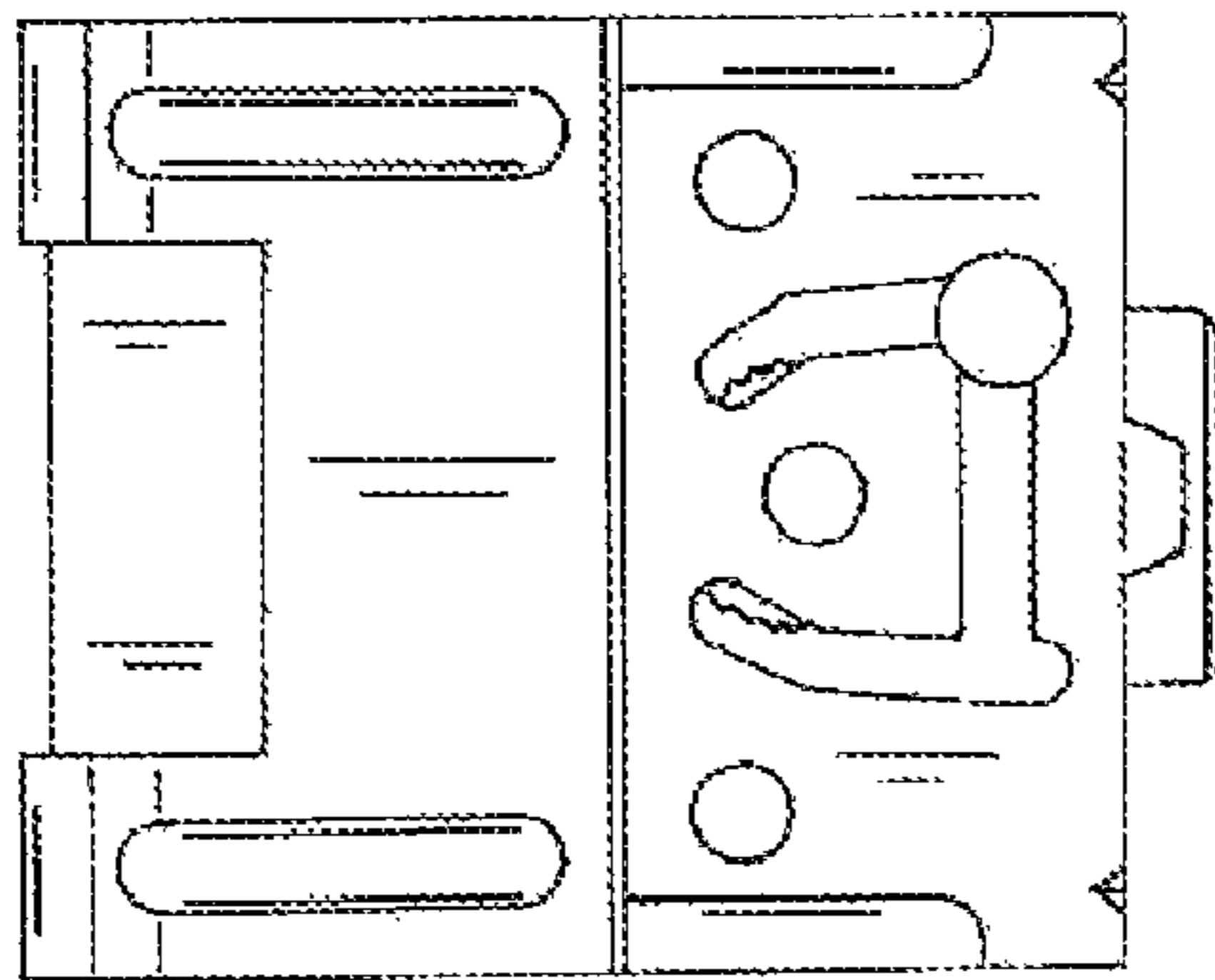


FIG 2

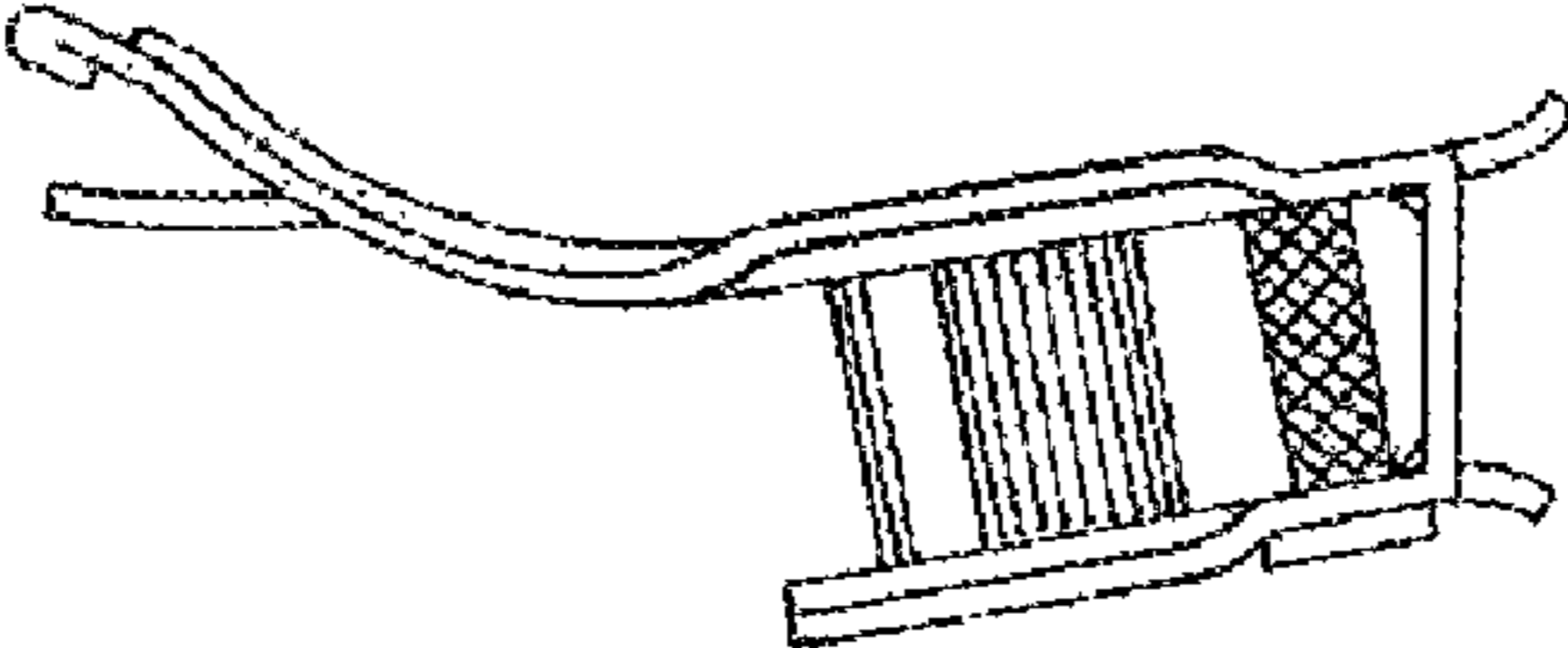


FIG 5

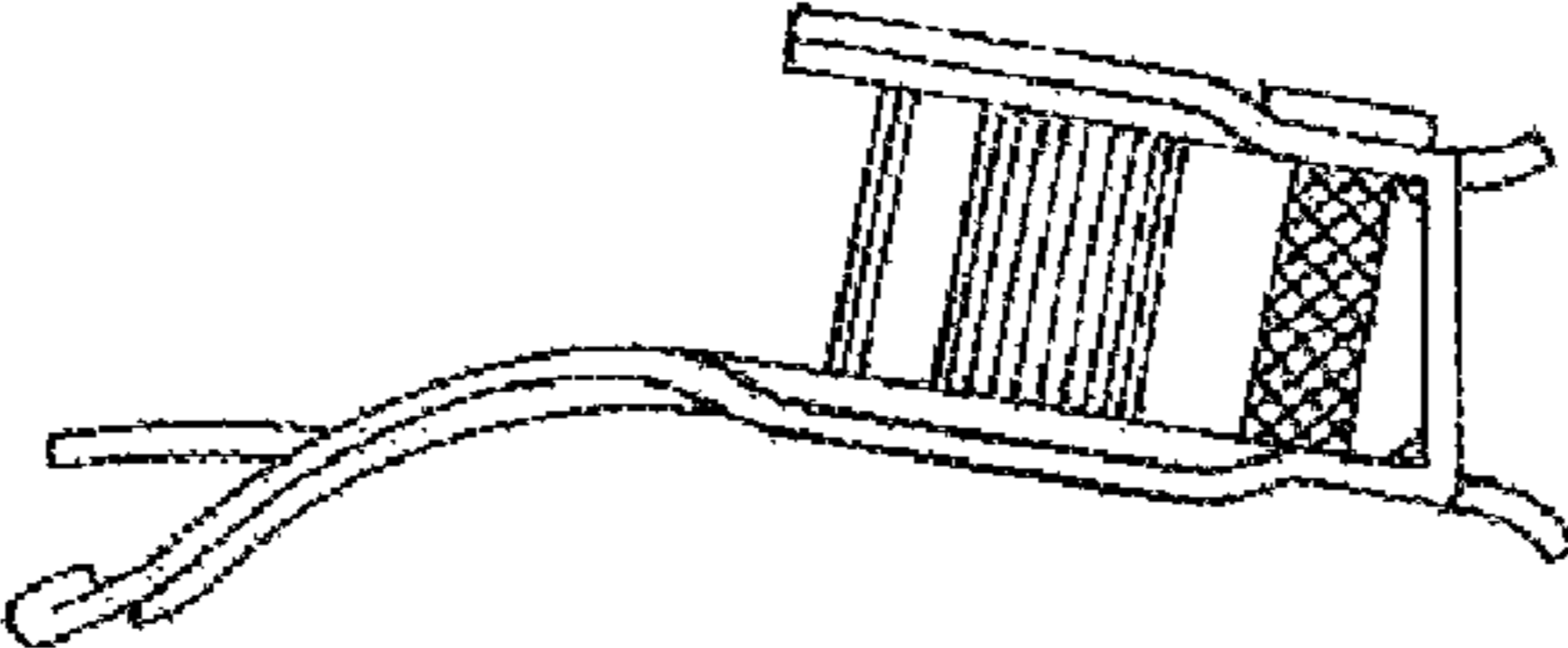


FIG 4

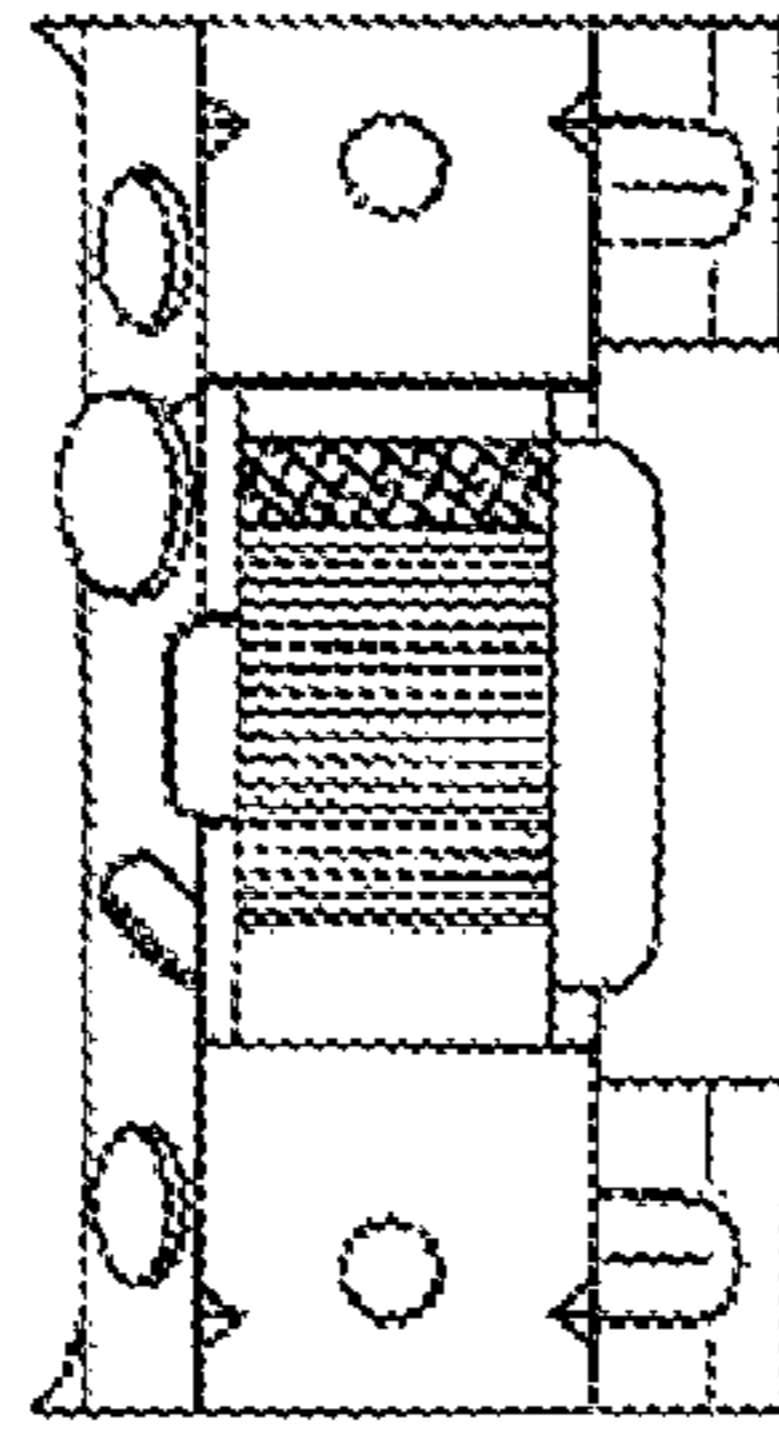


FIG 7

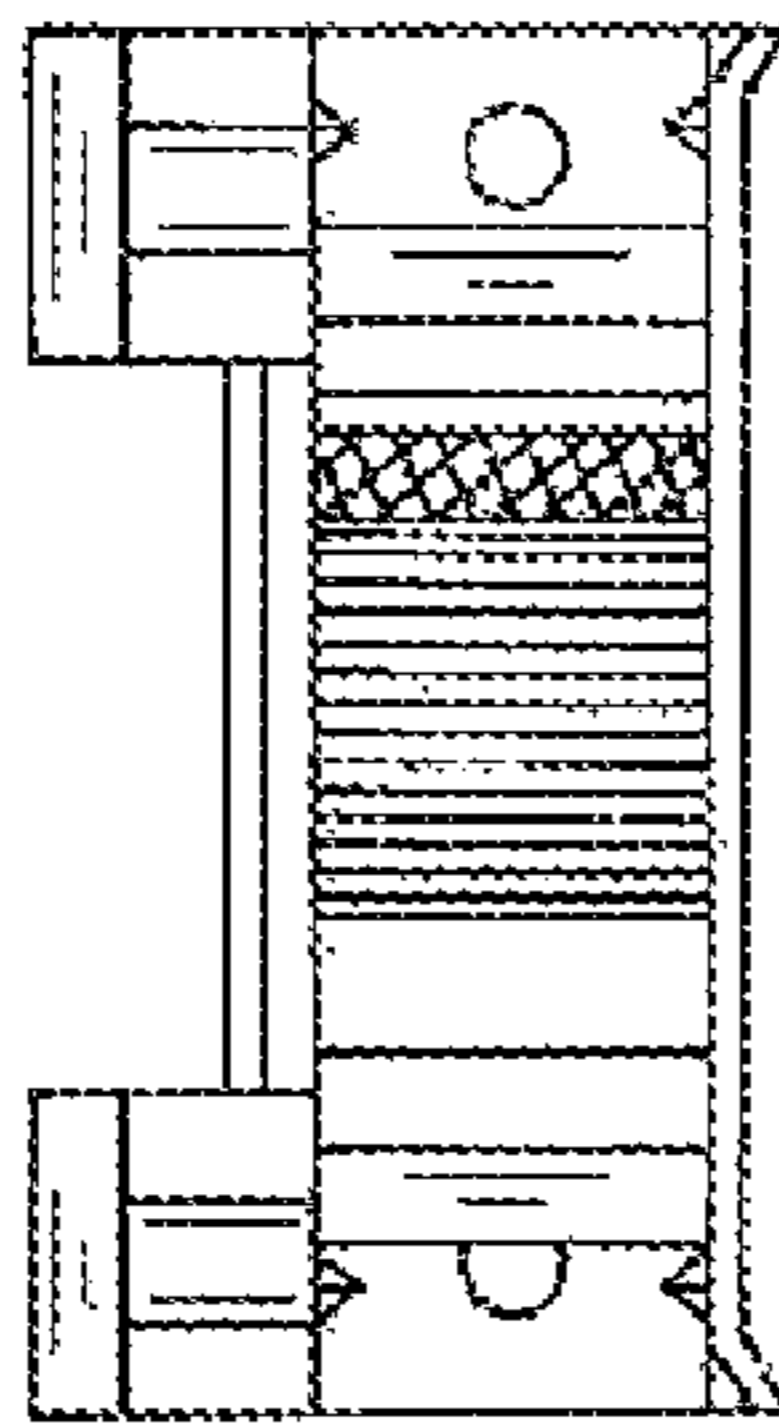


FIG 6

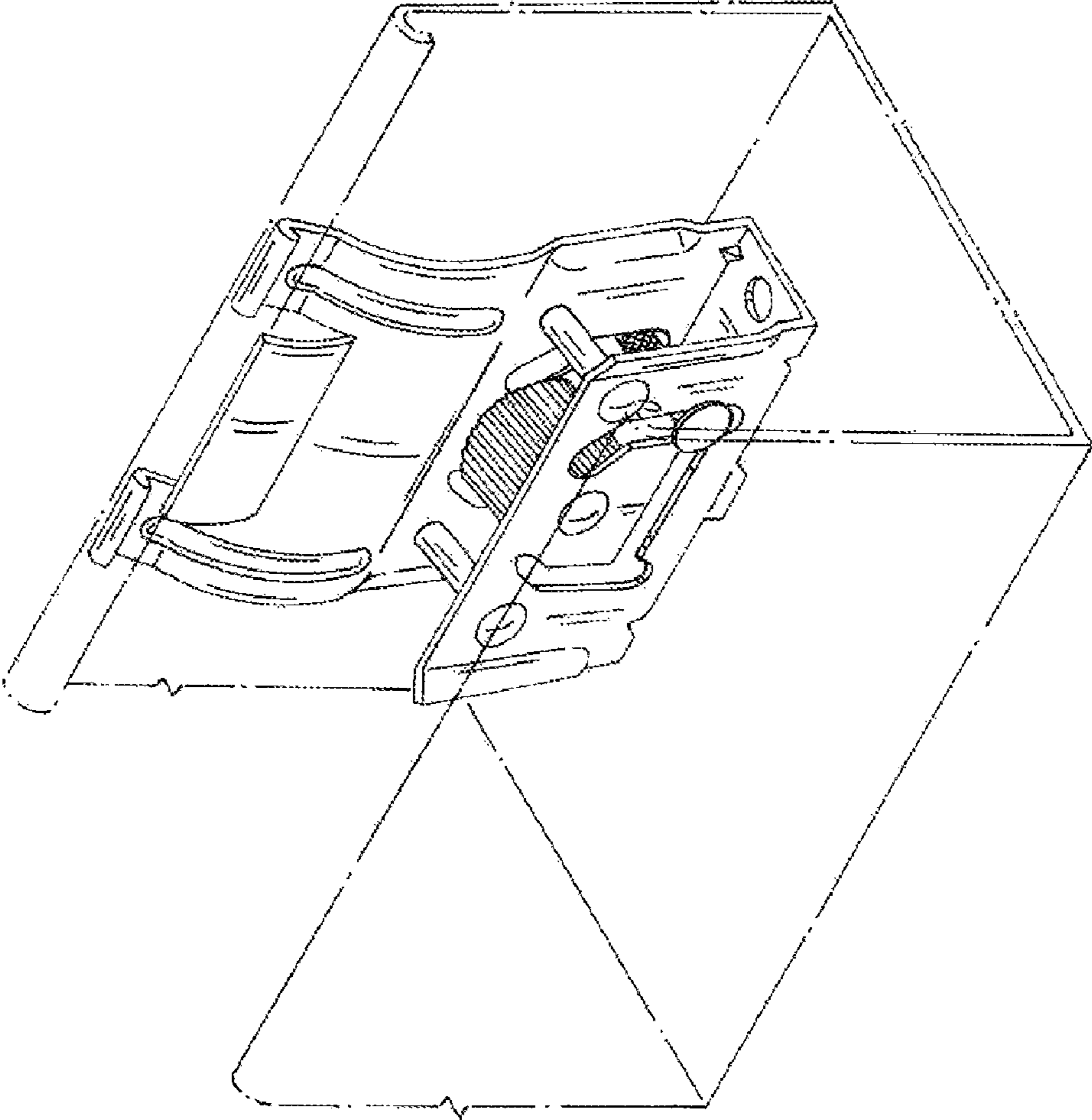


FIG 8