



US00D650264S

(12) **United States Design Patent**
Smalley

(10) **Patent No.:** **US D650,264 S**

(45) **Date of Patent:** **** Dec. 13, 2011**

(54) **SHELF EXTENDER BRACKET**

(56) **References Cited**

(76) Inventor: **Daniel J. Smalley**, Cumberland, RI (US)

U.S. PATENT DOCUMENTS

(**) Term: **14 Years**

| | | | | | | |
|----------|---|---|--------|-----------------|-------|--------|
| D469,003 | S | * | 1/2003 | Valiulis | | D8/380 |
| D469,343 | S | * | 1/2003 | Zadak | | D8/373 |
| D471,431 | S | * | 3/2003 | Valiulis et al. | | D8/349 |

* cited by examiner

(21) Appl. No.: **29/373,140**

Primary Examiner — Susan Bennett Hattan

(22) Filed: **Mar. 8, 2011**

(74) *Attorney, Agent, or Firm* — Robert J Doherty

(51) **LOC (9) Cl.** **08-05**

(57) **CLAIM**

The ornamental design for a shelf extender bracket, as shown.

(52) **U.S. Cl.** **D8/381**

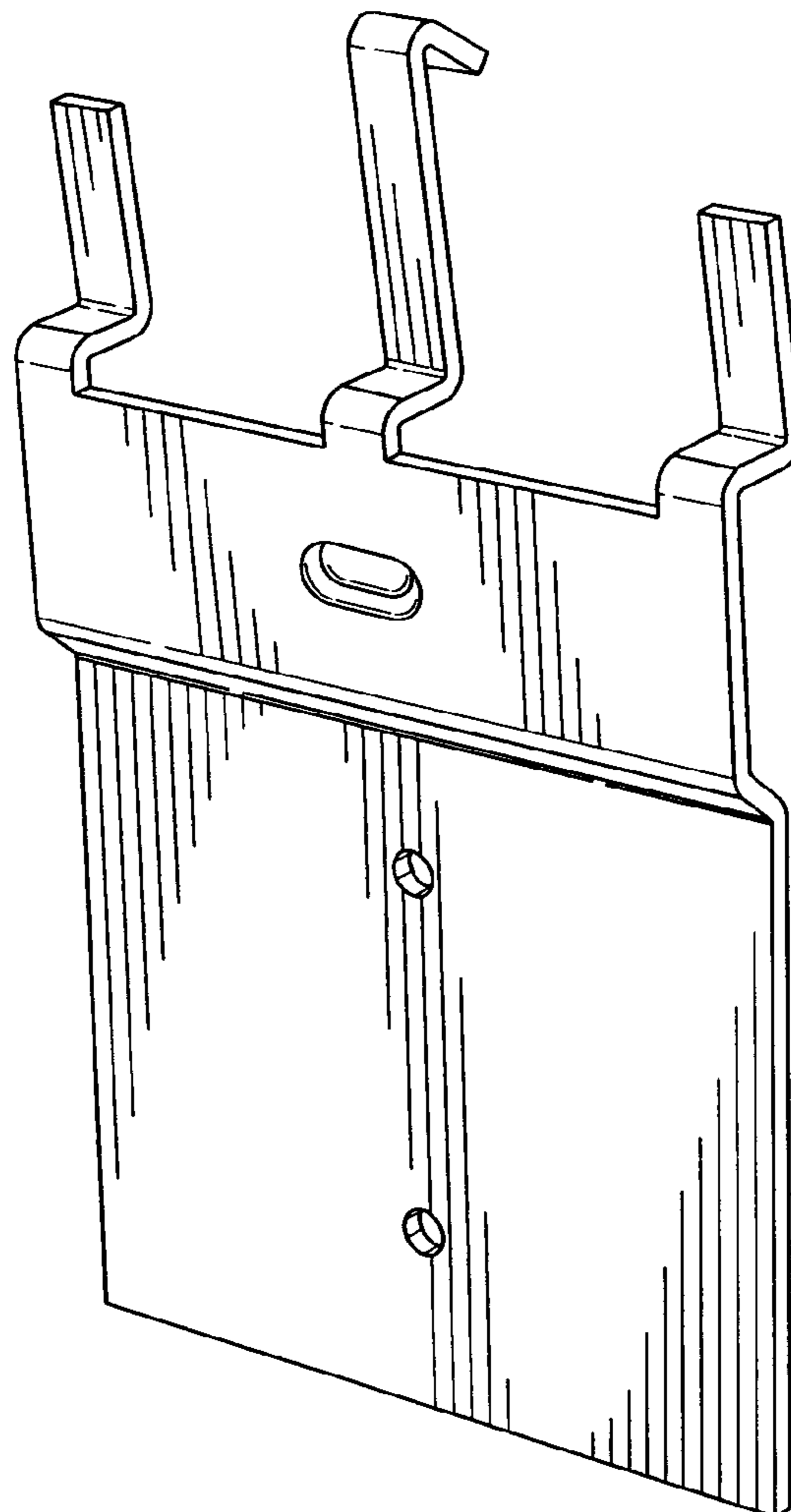
DESCRIPTION

(58) **Field of Classification Search** D8/394,
D8/381, 380, 373, 371, 366, 354, 349; D6/574,
D6/511, 479, 478, 474, 466, 463, 436, 399;
D25/132, 131, 126, 123; D23/267; 248/68.1,
248/65, 49, 243; 211/87.01, 191-193, 188,
211/187, 134; 108/157.13, 152, 110, 108,
108/105

FIG. 1 is a front perspective view of a shelf extender bracket showing my new design;
FIG. 2 is a front elevation view thereof;
FIG. 3 is a rear elevation view thereof;
FIG. 4 is a top plan view thereof;
FIG. 5 is a bottom plan view thereof;
FIG. 6 is a left side elevation view thereof; and,
FIG. 7 is a right side elevation view thereof.

See application file for complete search history.

1 Claim, 4 Drawing Sheets



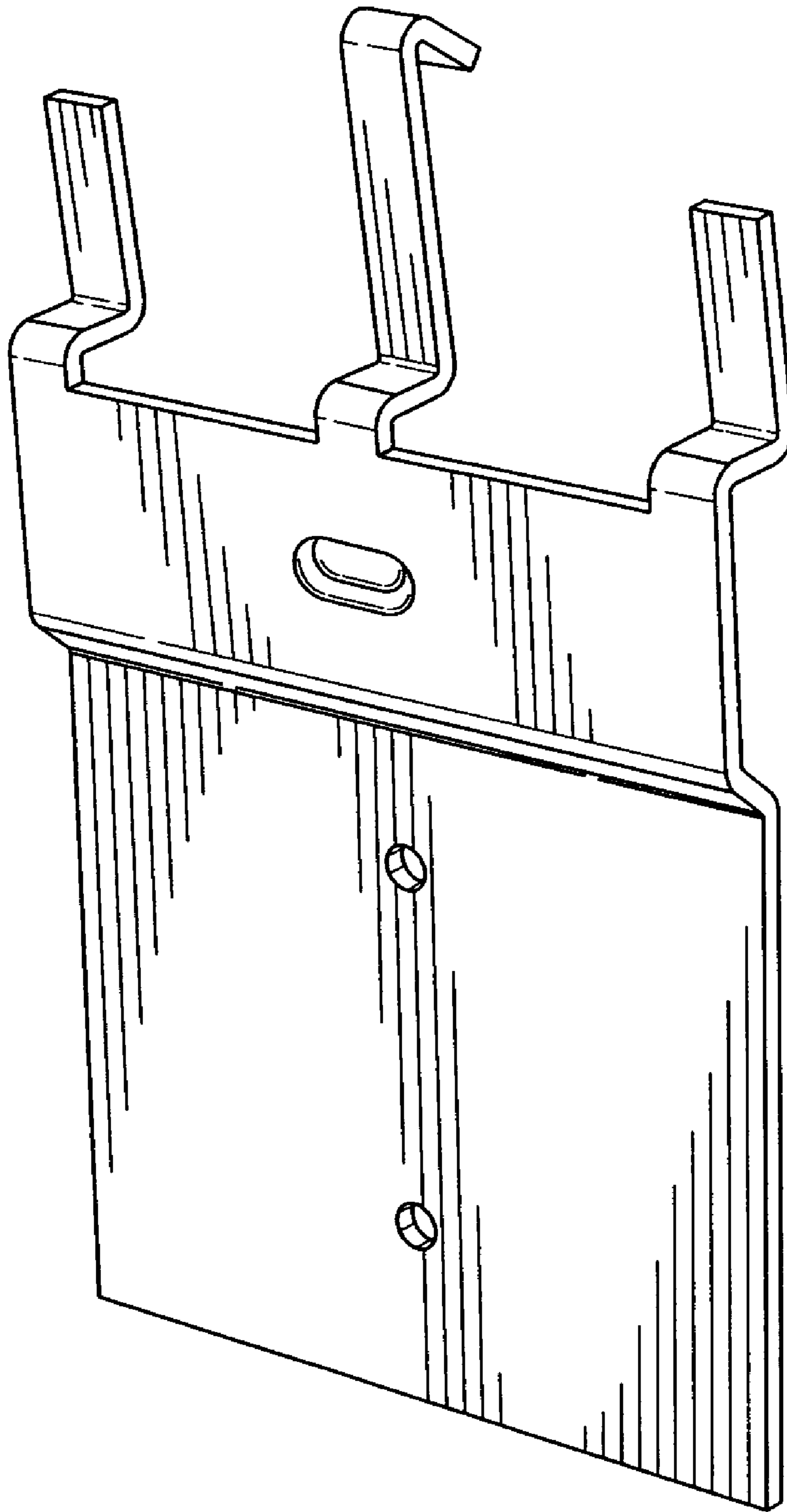


FIG. 1

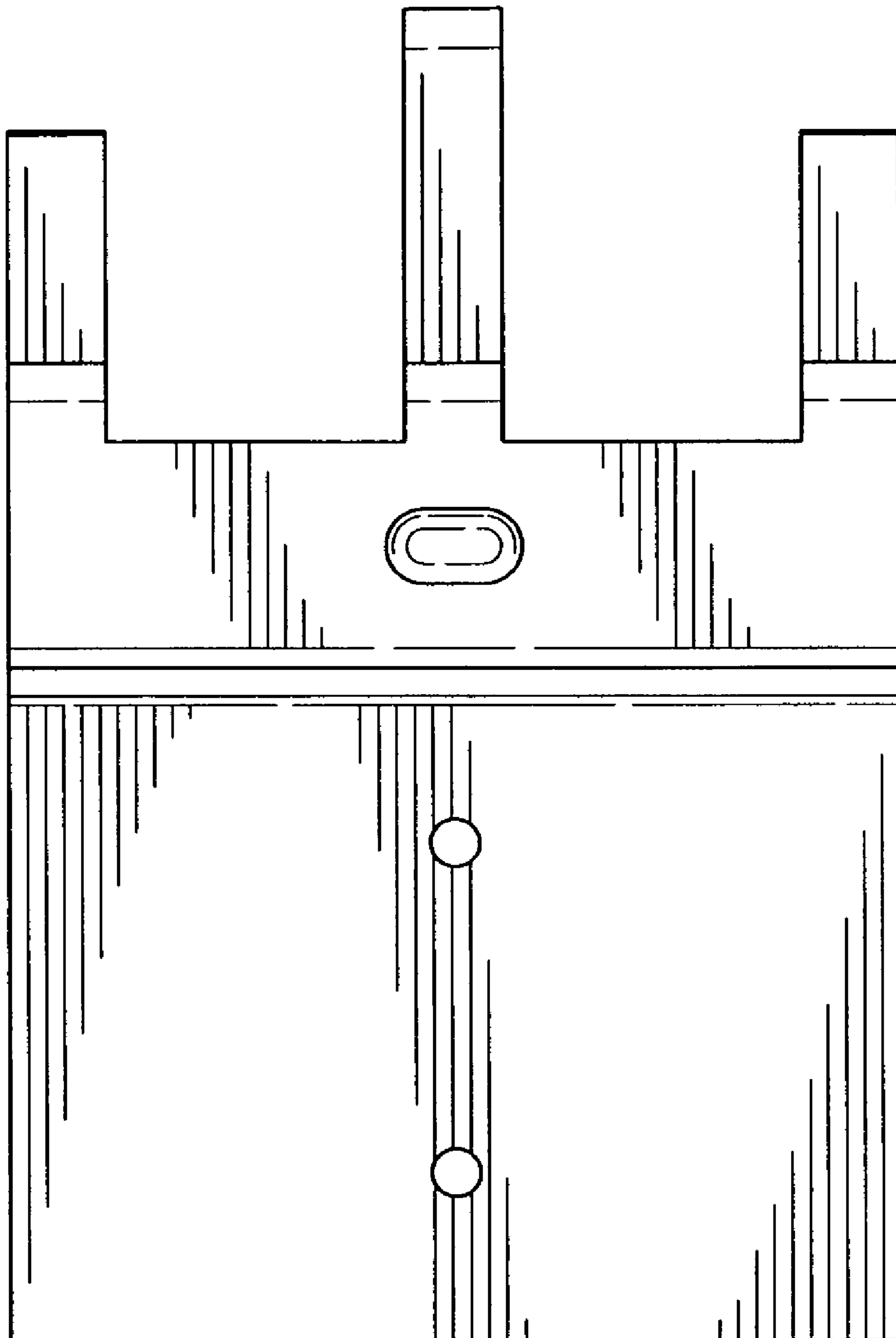


FIG. 2

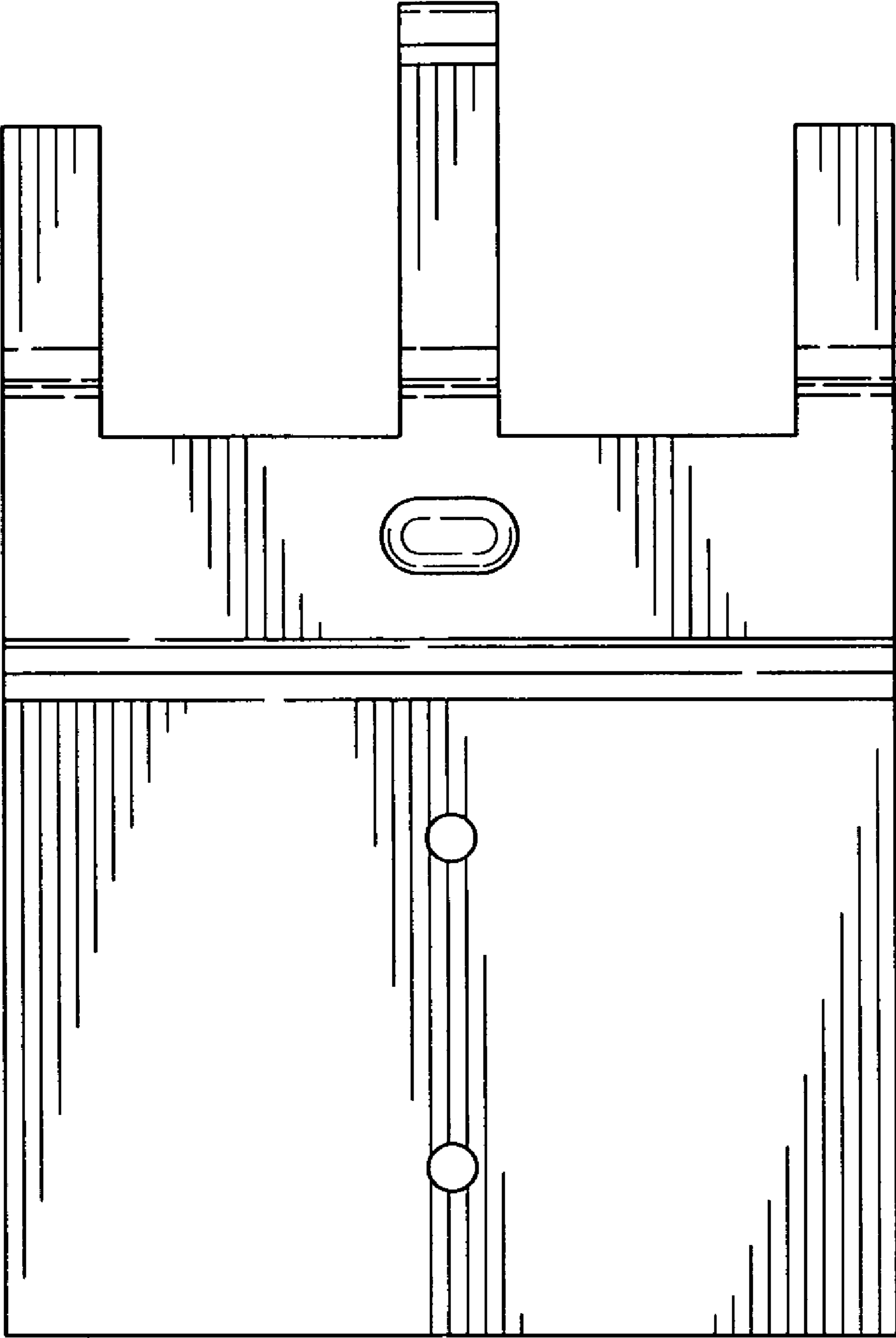


FIG. 3

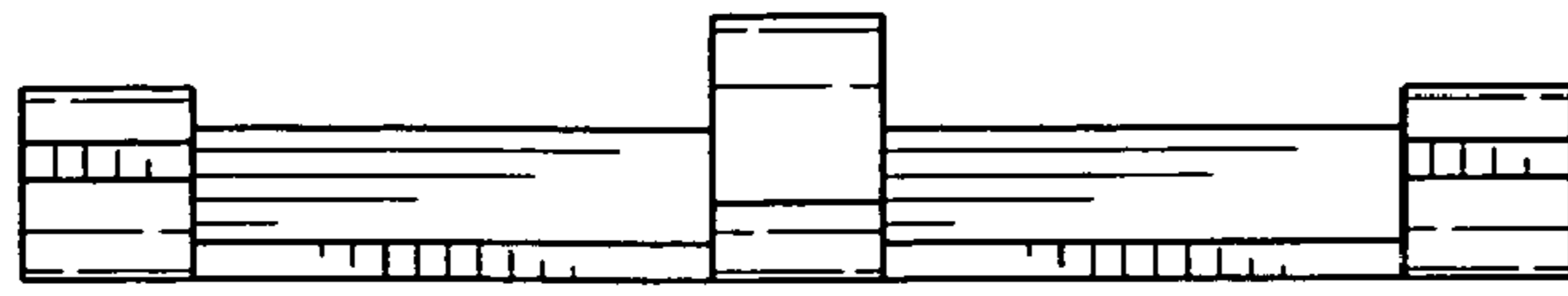


FIG. 4

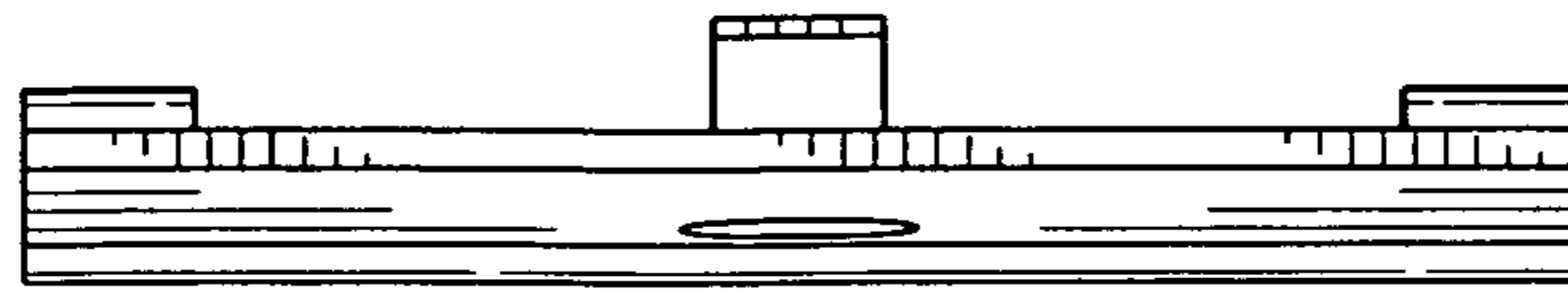


FIG. 5

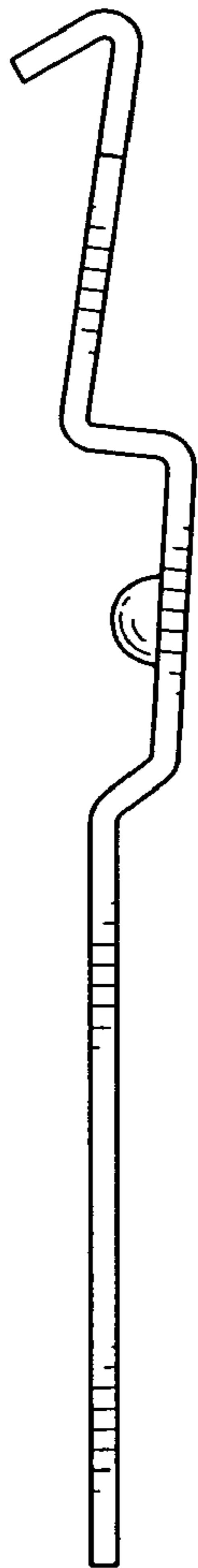


FIG. 6

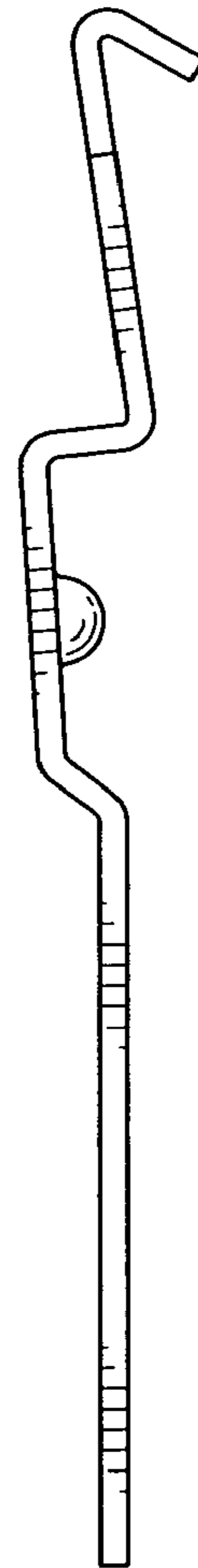


FIG. 7