



US00D650263S

(12) **United States Design Patent**  
**Barrese**

(10) **Patent No.:** **US D650,263 S**

(45) **Date of Patent:** **\*\* Dec. 13, 2011**

(54) **TENSION ROD FOR SHOWER CURTAINS,  
TOWELS, WINDOW TREATMENTS, OR THE  
LIKE**

(75) Inventor: **Charles Barrese**, Huntington, NY (US)

(73) Assignee: **Ex-Cell Home Fashions, Inc.**, New  
York, NY (US)

(\*\*) Term: **14 Years**

(21) Appl. No.: **29/366,355**

(22) Filed: **Jul. 23, 2010**

(51) **LOC (9) Cl.** ..... **08-05**

(52) **U.S. Cl.** ..... **D8/376**

(58) **Field of Classification Search** ..... D8/376,  
D8/377; 211/123, 105.3; 160/38-39  
See application file for complete search history.

(56) **References Cited**

**U.S. PATENT DOCUMENTS**

1,956,340	A *	4/1934	Bernhardt	.....	211/123
4,461,056	A	7/1984	Solinski		
D392,138	S *	3/1998	Wu	.....	D6/549
D464,252	S	10/2002	Jones		
D534,062	S *	12/2006	van den Bosch	.....	D8/376
D586,647	S	2/2009	Didehvar		

**OTHER PUBLICATIONS**

U.S. Appl. No. 12/874,897, filed Sep. 2, 2010; In re: Barrese, entitled  
*Double Tension Shower Curtain Rod Assembly*.

\* cited by examiner

*Primary Examiner* — Holly Baynham

(74) *Attorney, Agent, or Firm* — Alston & Bird LLP

(57) **CLAIM**

The ornamental design for a tension rod for shower curtains,  
towels, window treatments, or the like, as shown and  
described.

**DESCRIPTION**

FIG. 1 is a perspective view of a tension rod showing my new  
design;

FIG. 2 is a top plan view thereof;

FIG. 3 is a bottom plan view thereof;

FIG. 4 is a front elevation view thereof;

FIG. 5 is a rear elevation view thereof;

FIG. 6 is a right side elevation view thereof;

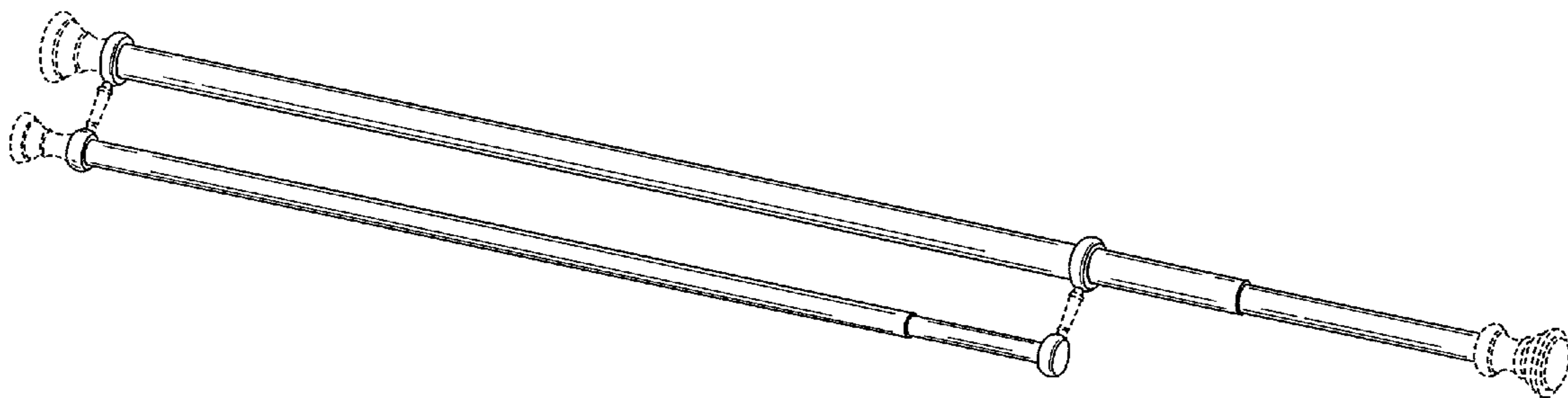
FIG. 7 is a left side elevation view thereof;

FIG. 8 is another perspective view thereof, shown in another  
configuration; and,

FIG. 9 is a top plan view thereof.

The broken lines immediately adjacent the shaded areas rep-  
resent the bounds of the claimed design. All other broken  
lines are for the purposes of illustrating environment. The  
broken lines form no part of the claimed design.

**1 Claim, 5 Drawing Sheets**



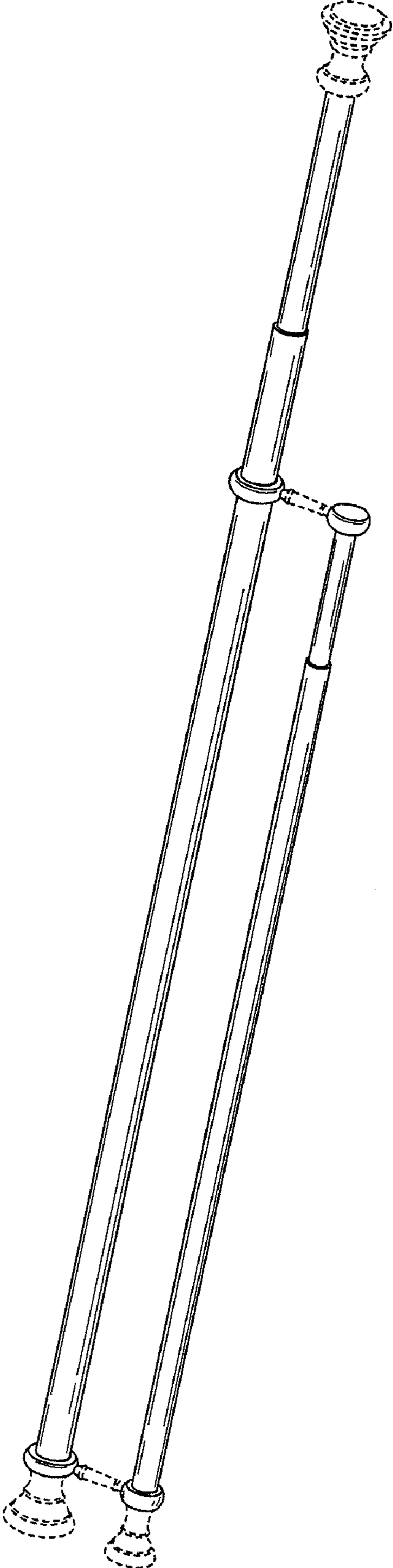


FIG. 1

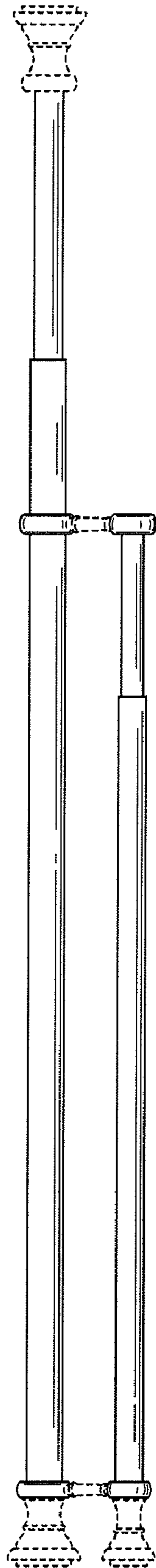


FIG. 2

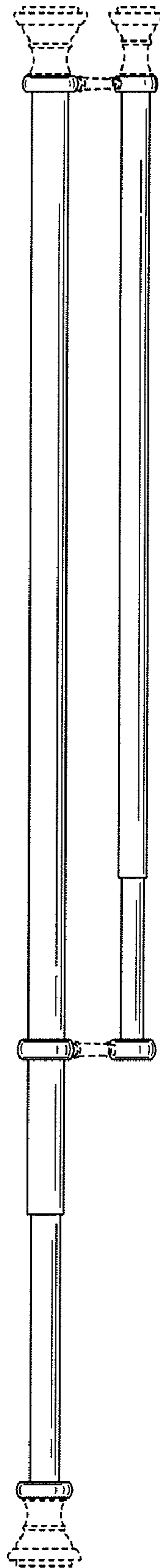


FIG. 3

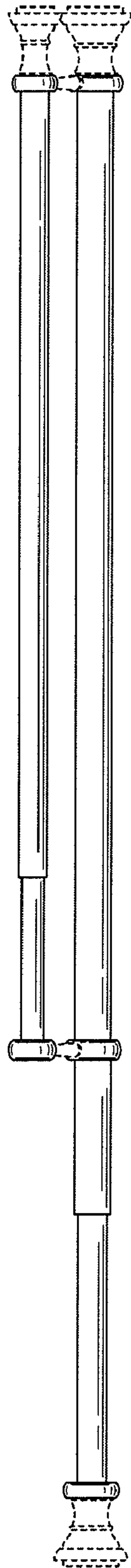


FIG. 4

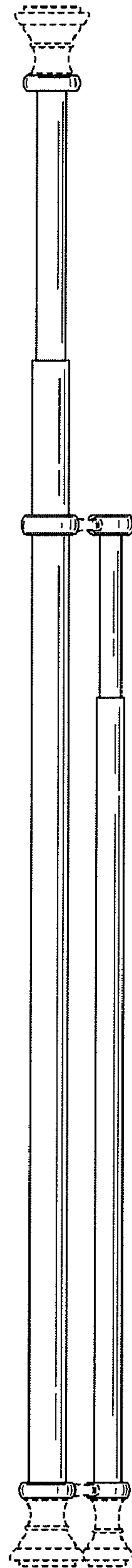
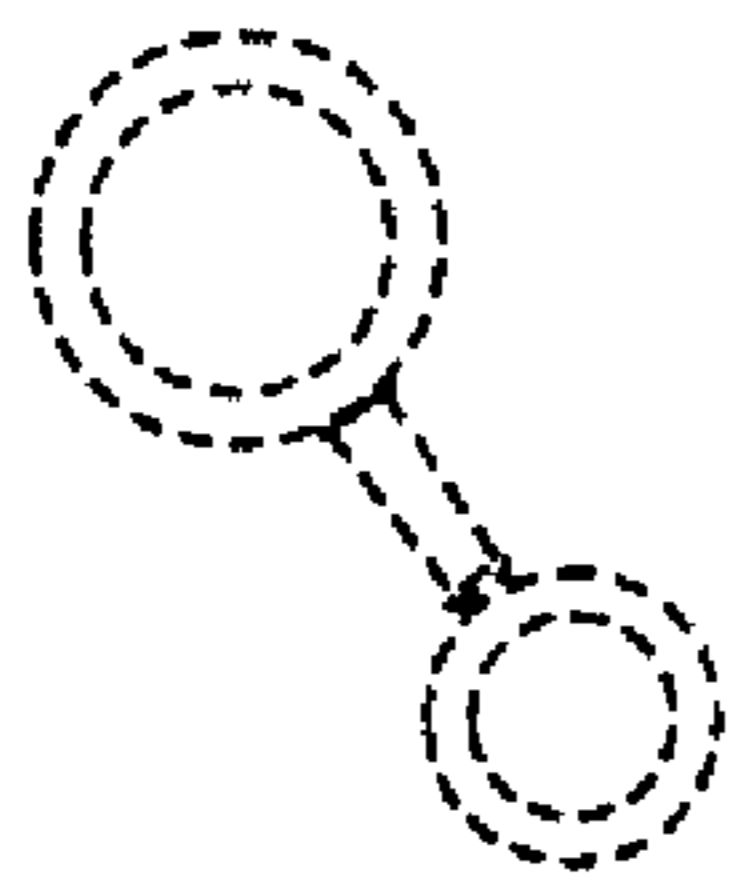
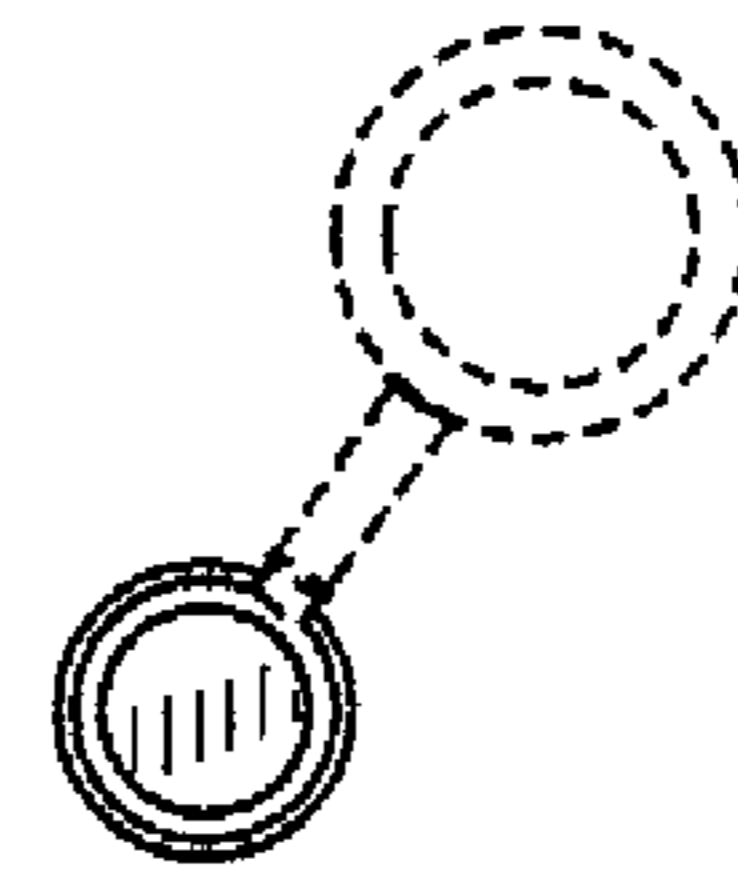


FIG. 5



**FIG. 6**



**FIG. 7**

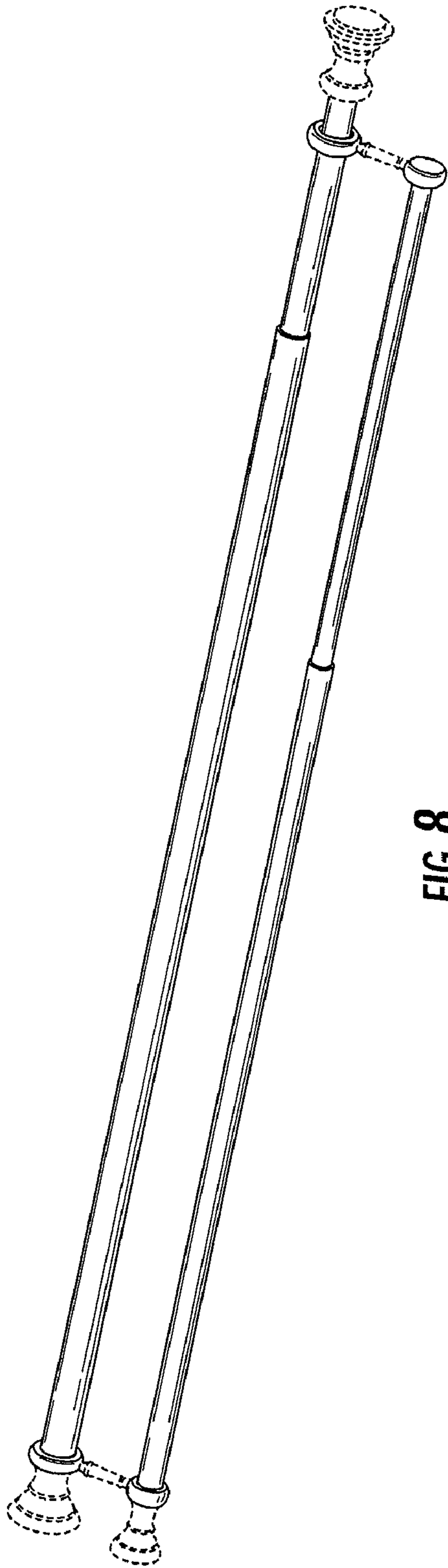


FIG. 8

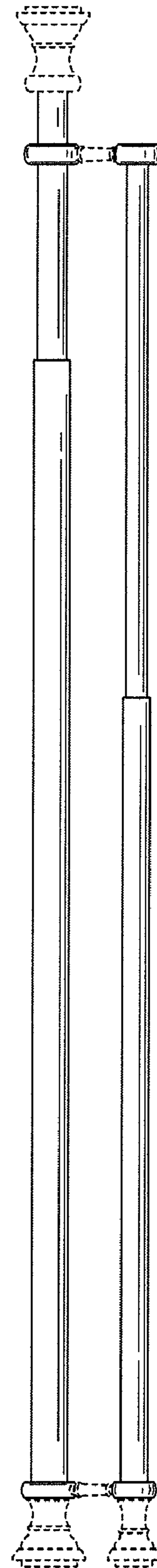


FIG. 9