



US00D650262S

(12) **United States Design Patent**
Hinkle, III et al.

(10) **Patent No.:** **US D650,262 S**

(45) **Date of Patent:** **** Dec. 13, 2011**

(54) **BED FRAME FOOT BUMPER**

(76) Inventors: **Jackson Herbert Hinkle, III**, Santa Barbara, CA (US); **John Russell Stump**, Santa Barbara, CA (US)

(**) Term: **14 Years**

(21) Appl. No.: **29/373,096**

(22) Filed: **Mar. 1, 2011**

(51) **LOC (9) Cl.** **08-05**

(52) **U.S. Cl.** **D8/374**

(58) **Field of Classification Search** D8/374;
248/188.2, 188.3, 246

See application file for complete search history.

(56) **References Cited**

U.S. PATENT DOCUMENTS

D173,835 S *	1/1955	Chapman et al.	D8/374
D423,340 S *	4/2000	Sittig	D8/374
D493,095 S *	7/2004	Sittig	D8/374
D498,412 S *	11/2004	Pehta et al.	D8/374
D527,617 S *	9/2006	Powell et al.	D8/374

* cited by examiner

Primary Examiner — Holly Baynham

(74) *Attorney, Agent, or Firm* — Lawrence Lambelet, Jr.

(57) **CLAIM**

The ornamental bed frame foot bumper, as shown and described.

DESCRIPTION

FIG. 1 is an isometric view of the present design, defining top, bottom, left and right sides for drawings 2-5.

FIG. 2 is a right view of the present design.

FIG. 3 is a left view of the present design.

FIG. 4 is a top view of the present design.

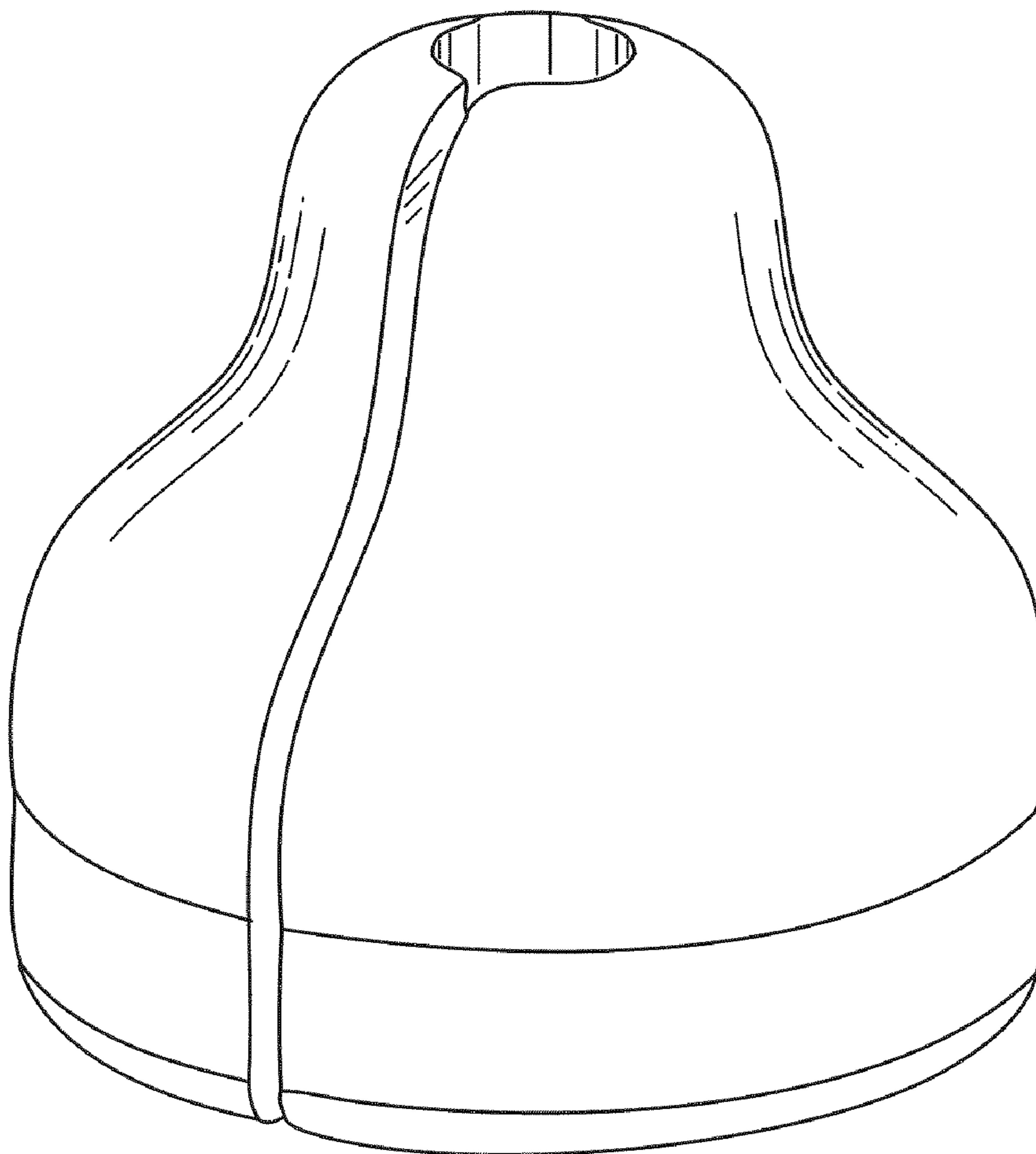
FIG. 5 is a bottom view of the present design.

FIG. 6 is a reduced scale, isometric view of the present design showing installation on a typical bed frame; and,

FIG. 7 is an isometric, cross sectional view taken along lines 7-7 of FIG. 4.

The broken line showing of a partial bed frame is included for the purpose of illustrating environmental structure and forms no part of the claimed design.

1 Claim, 7 Drawing Sheets



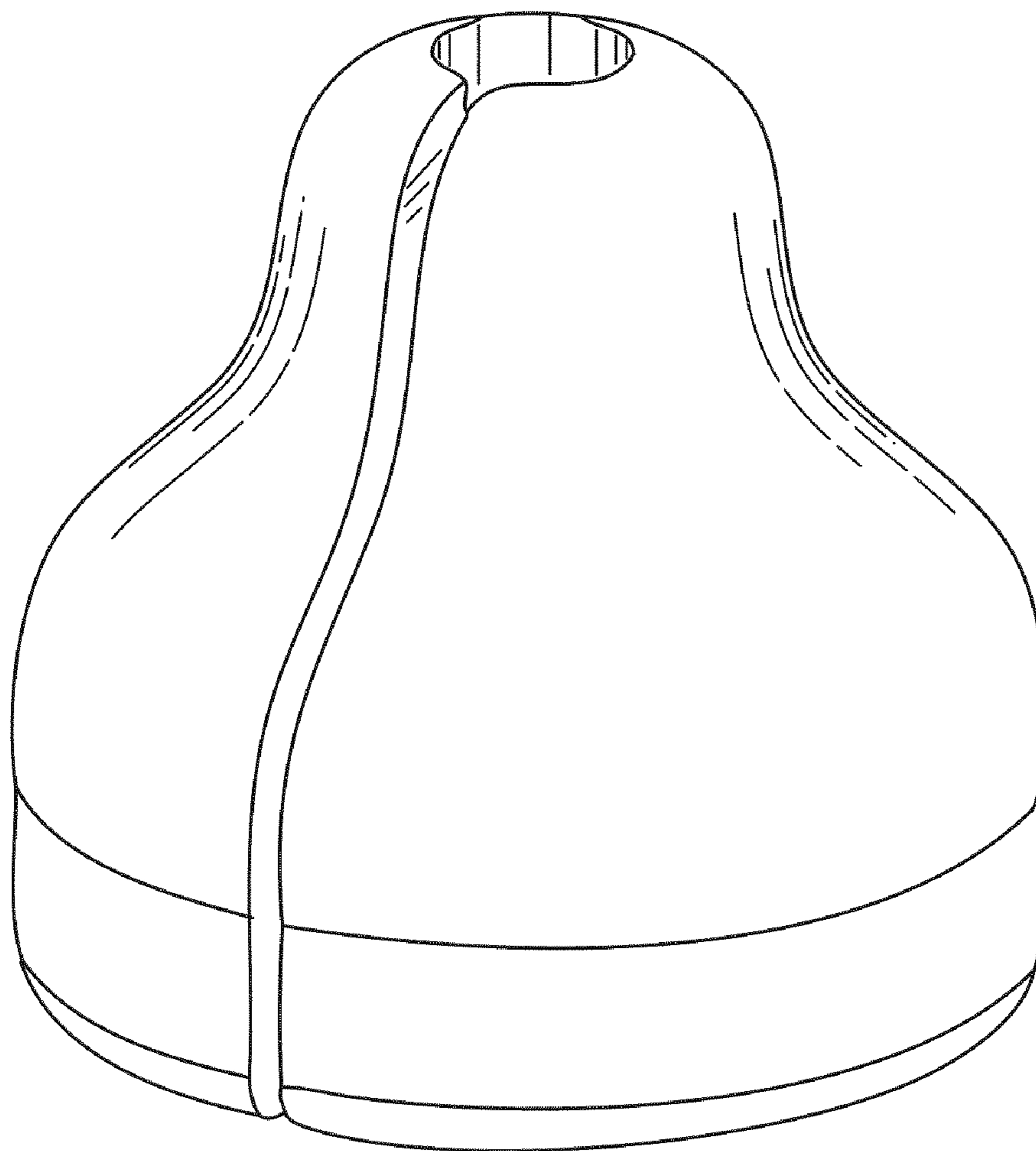


Fig. 1

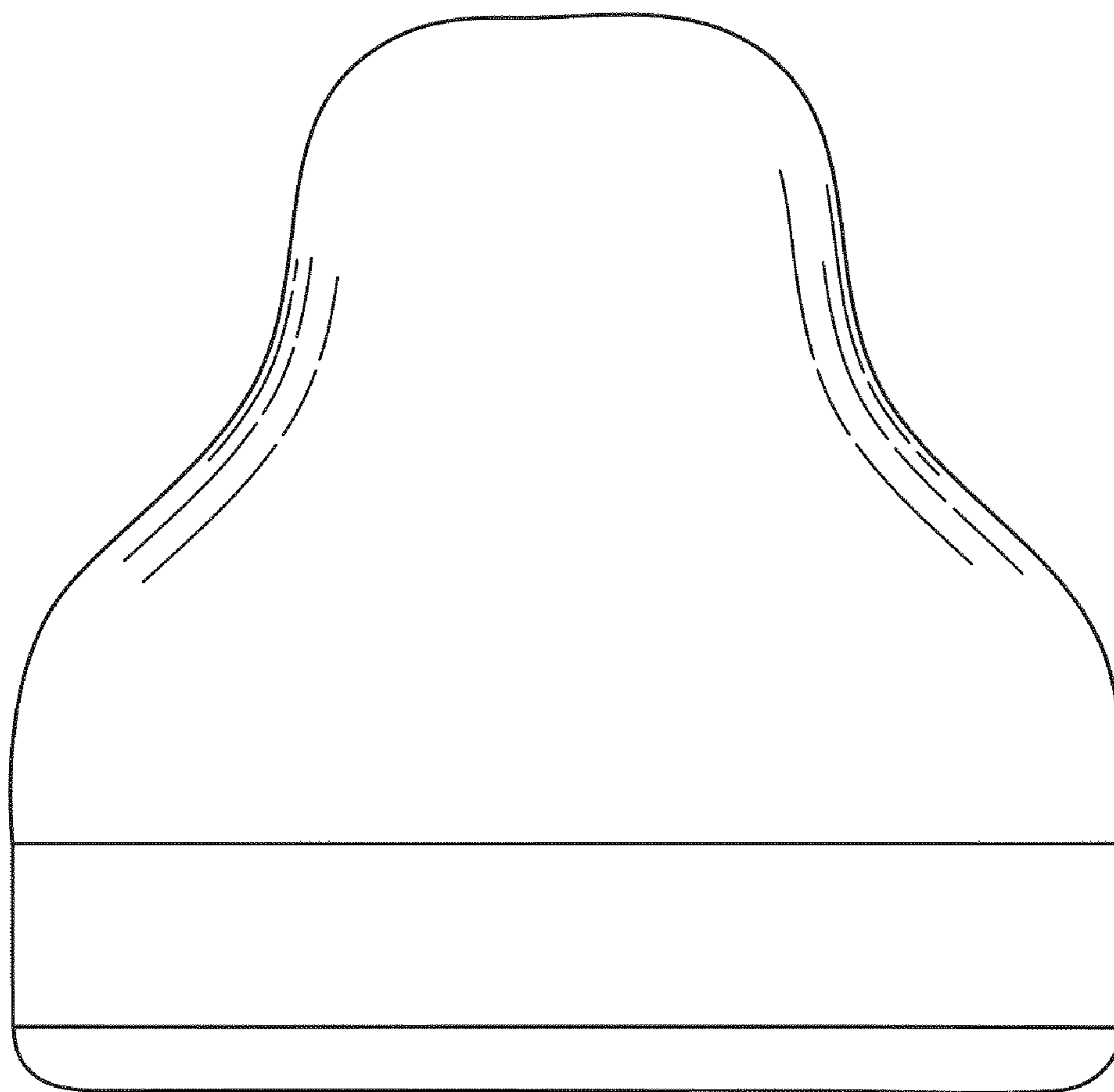


Fig. 2

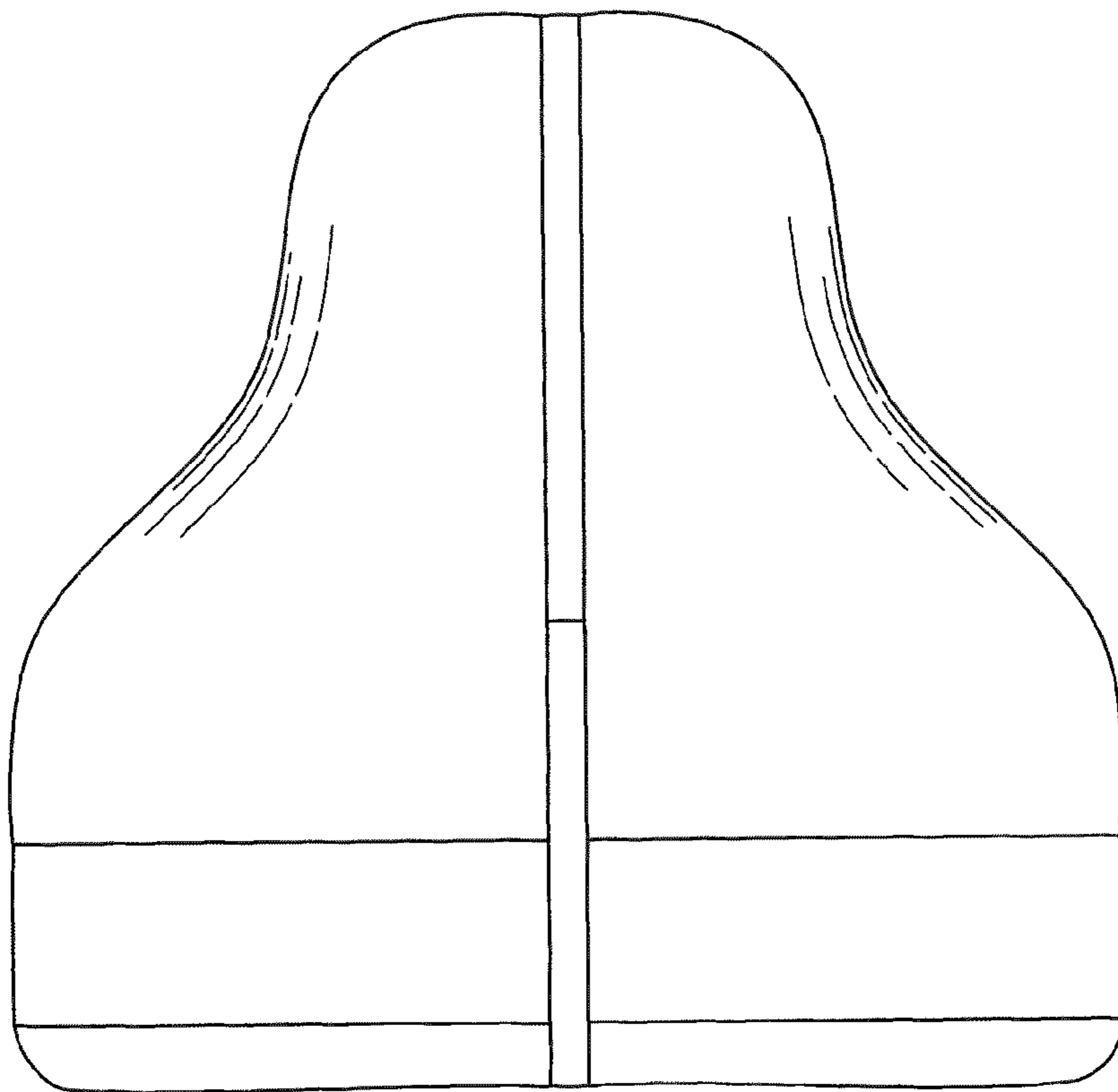


Fig. 3

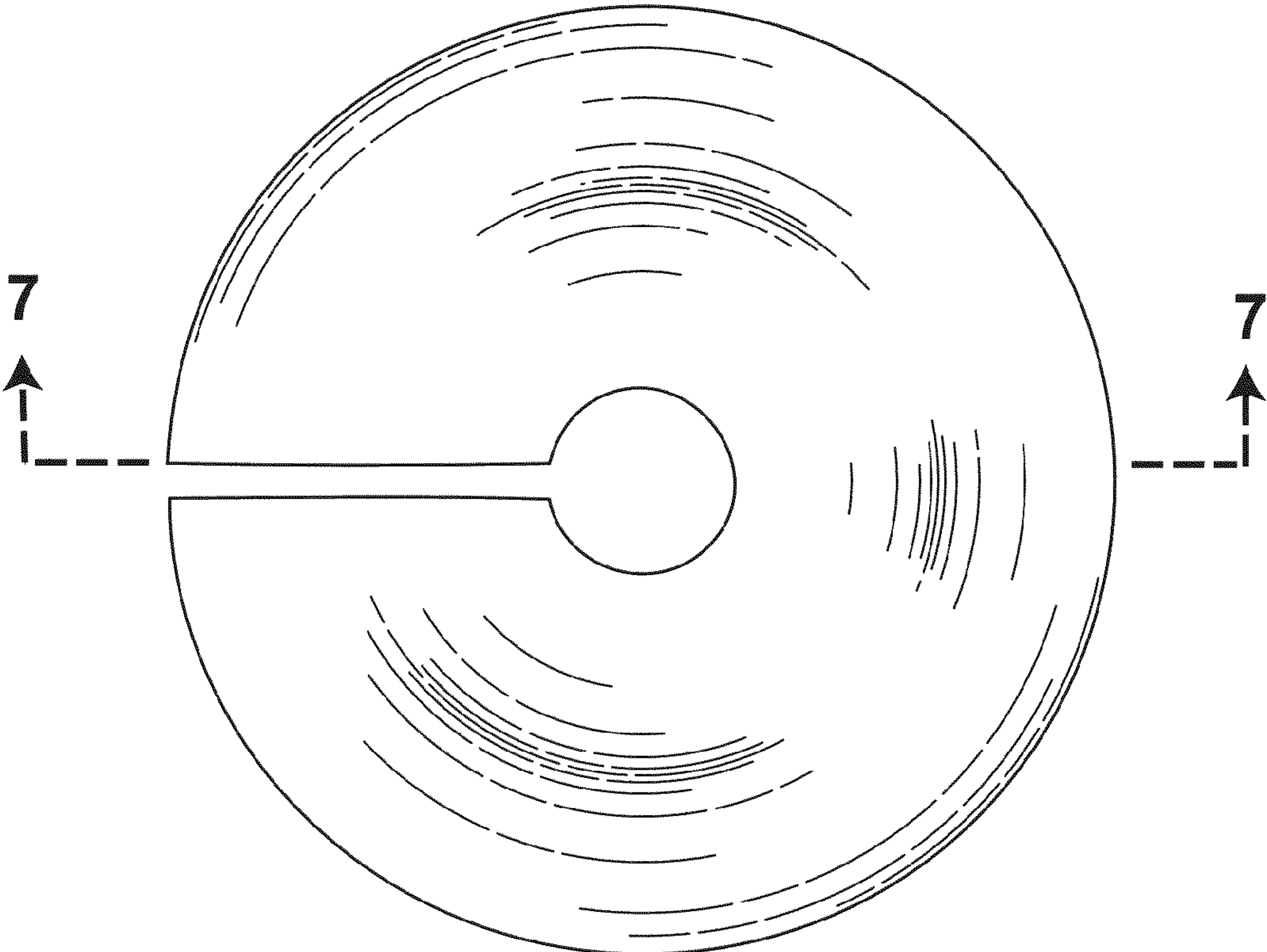


Fig. 4

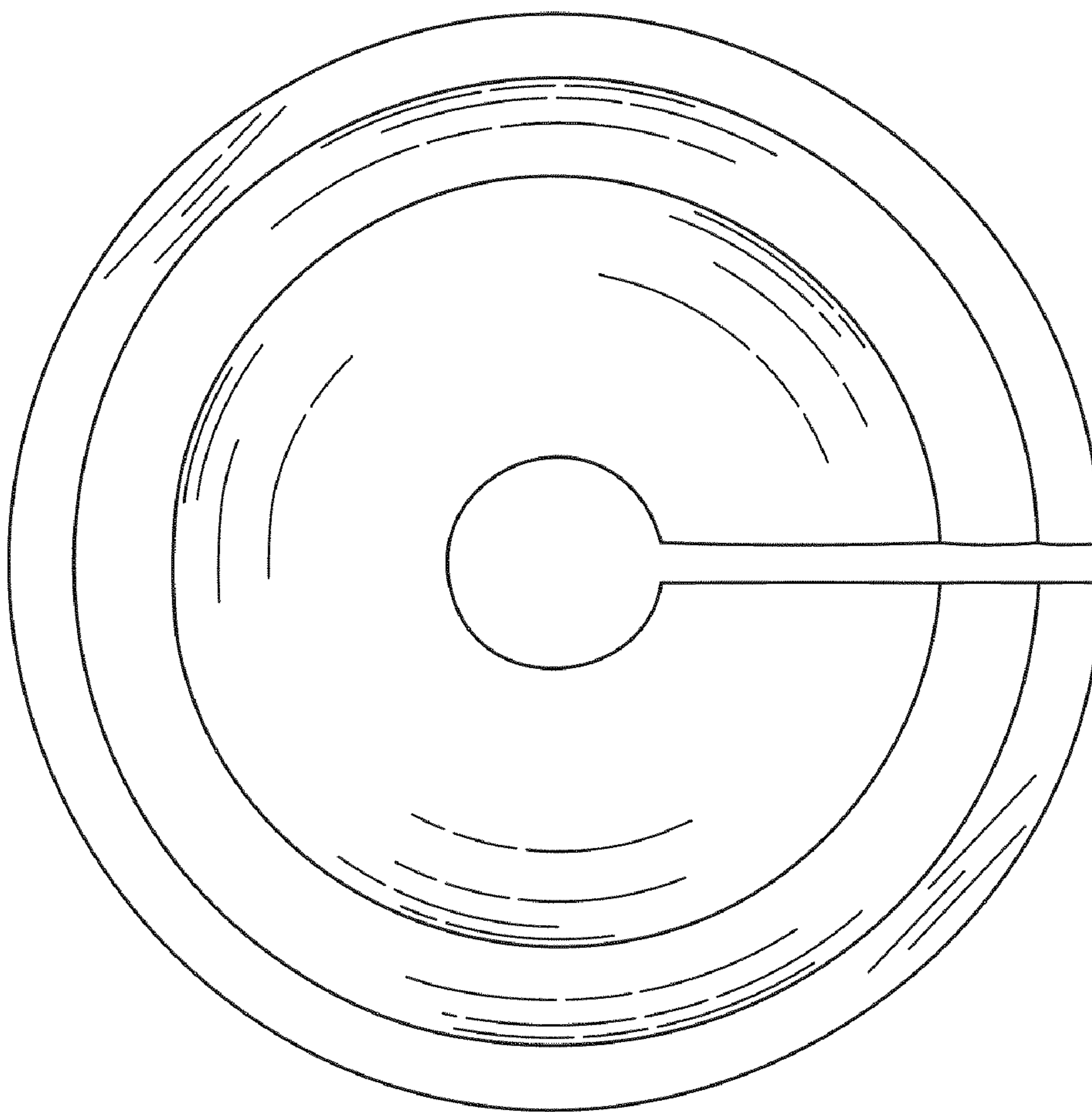


Fig. 5

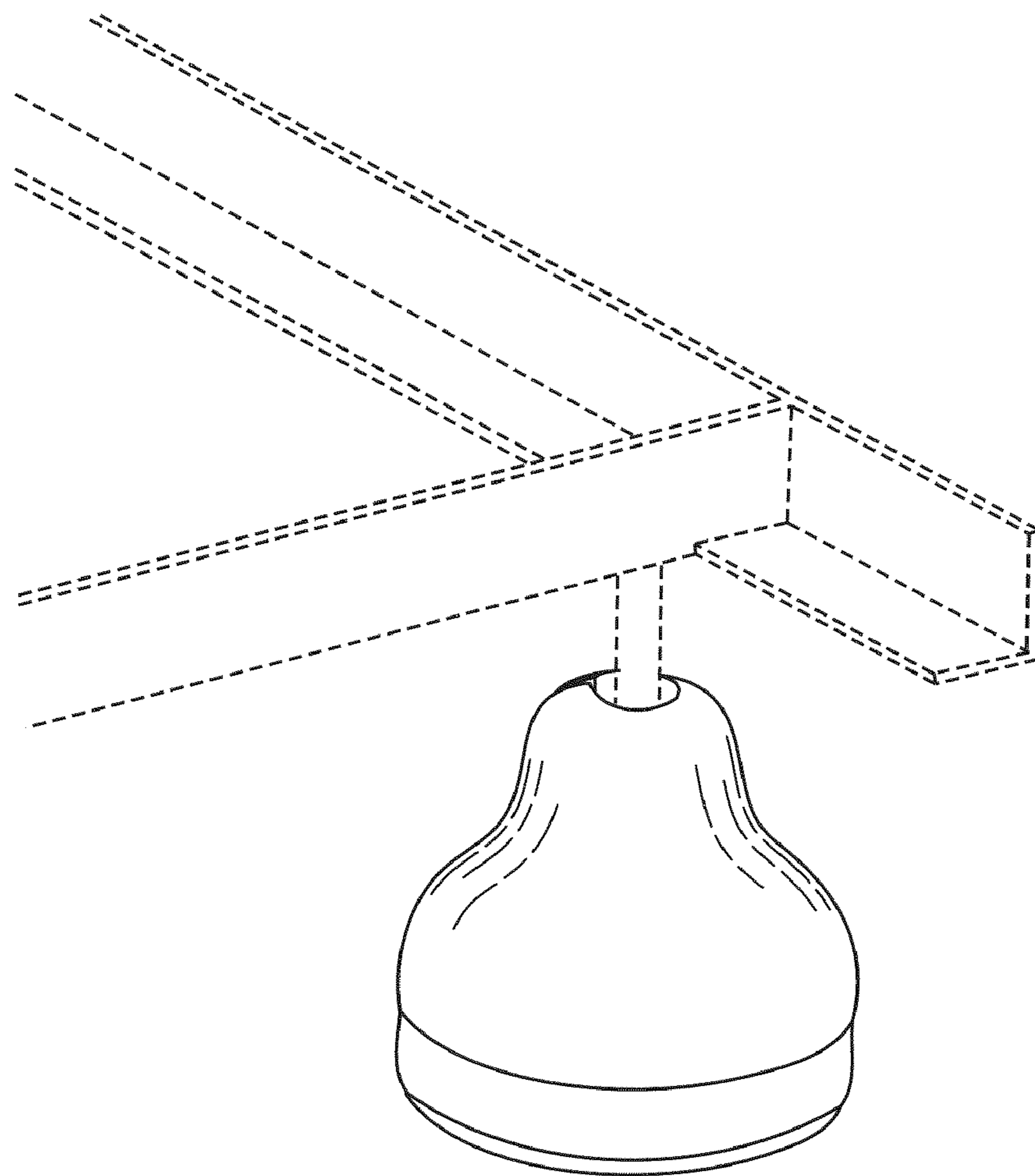


Fig. 6

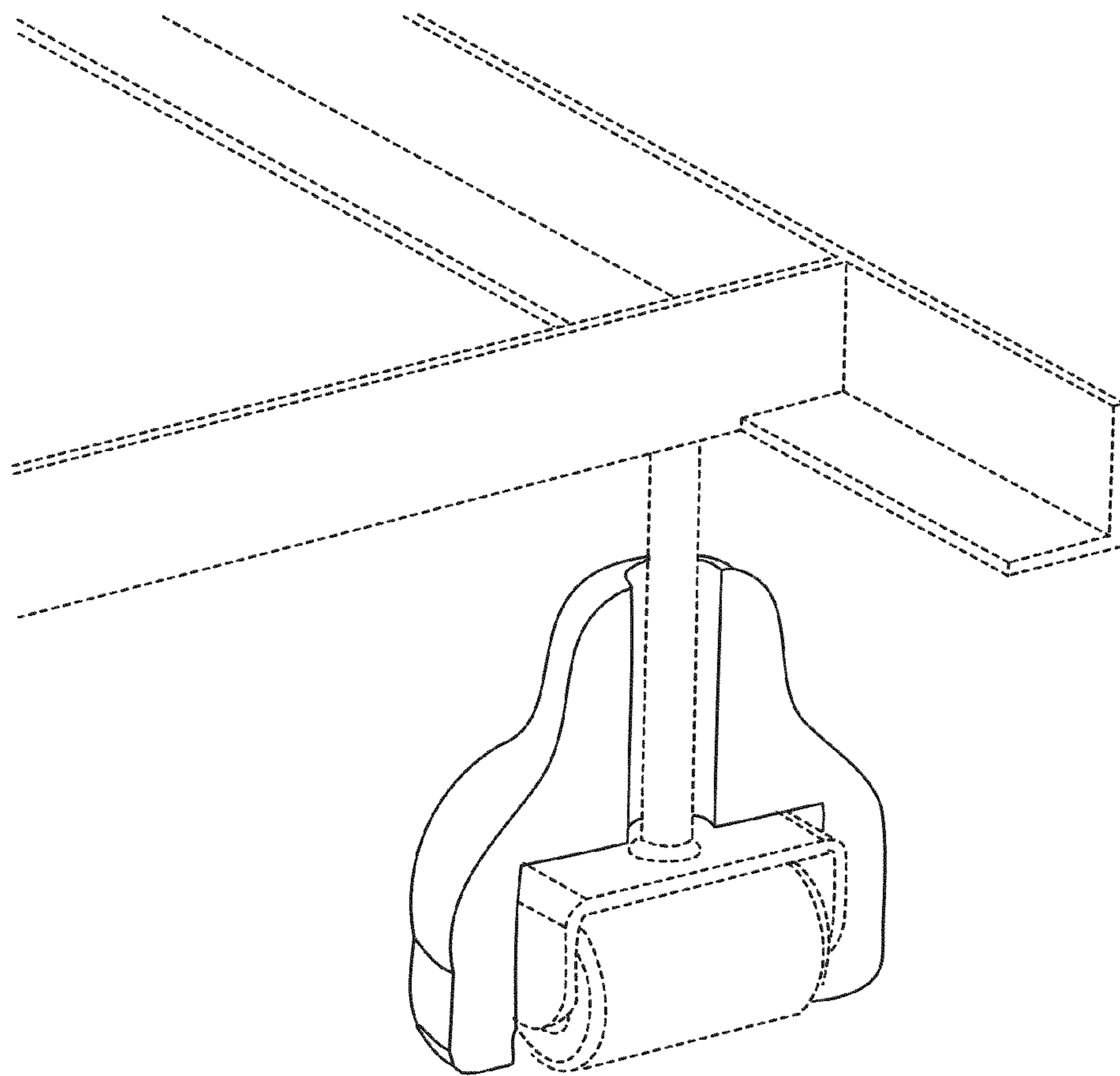


Fig. 7