



US00D650261S

(12) **United States Design Patent**
McDuff et al.

(10) **Patent No.:** **US D650,261 S**

(45) **Date of Patent:** **** Dec. 13, 2011**

(54) **WALL-MOUNTED HOOK**

(75) Inventors: **Pierre McDuff**, Outremont (CA);
Alexandre Pollak, Laval (CA); **Lang**
Nguyen, Dollard-des-Ormeaux (CA)

(73) Assignee: **Cobra Anchors Co. Ltd.**, Montreal,
Quebec (CA)

(**) Term: **14 Years**

(21) Appl. No.: **29/387,314**

(22) Filed: **Mar. 11, 2011**

Related U.S. Application Data

(62) Division of application No. 29/350,548, filed on Nov.
18, 2009, now Pat. No. Des. 636,256.

(51) **LOC (9) Cl.** **08-05**

(52) **U.S. Cl.** **D8/367**

(58) **Field of Classification Search** D8/367,
D8/368, 372; 248/301, 304, 215

See application file for complete search history.

(56) **References Cited**

U.S. PATENT DOCUMENTS

165,206 A	7/1875	Brown
365,725 A	6/1887	Buckland
738,074 A	9/1903	Schick
739,512 A	9/1903	Stannard
745,722 A	12/1903	Jung
1,100,170 A	6/1914	Brosius
1,132,414 A	3/1915	White
1,159,420 A	11/1915	Rubly
1,161,268 A	11/1915	Tuck
1,185,587 A	5/1916	Bragg
1,210,610 A	1/1917	Dehn
1,333,692 A	3/1920	Wester
1,389,540 A	8/1921	Washington
1,409,291 A	3/1922	Giroux
1,573,557 A	2/1926	Alexander
1,637,981 A	8/1927	Baldwin

(Continued)

FOREIGN PATENT DOCUMENTS

CA 2458320 A1 8/2004

(Continued)

OTHER PUBLICATIONS

International Search Report for PCT/CA2004/000311 mailed Jul. 14,
2004.

(Continued)

Primary Examiner — Holly Baynham

Assistant Examiner — Sheryl Lane

(74) *Attorney, Agent, or Firm* — Ungaretti & Harris LLP

(57) **CLAIM**

We claim the ornamental design for a wall-mounted hook, as
shown and described.

DESCRIPTION

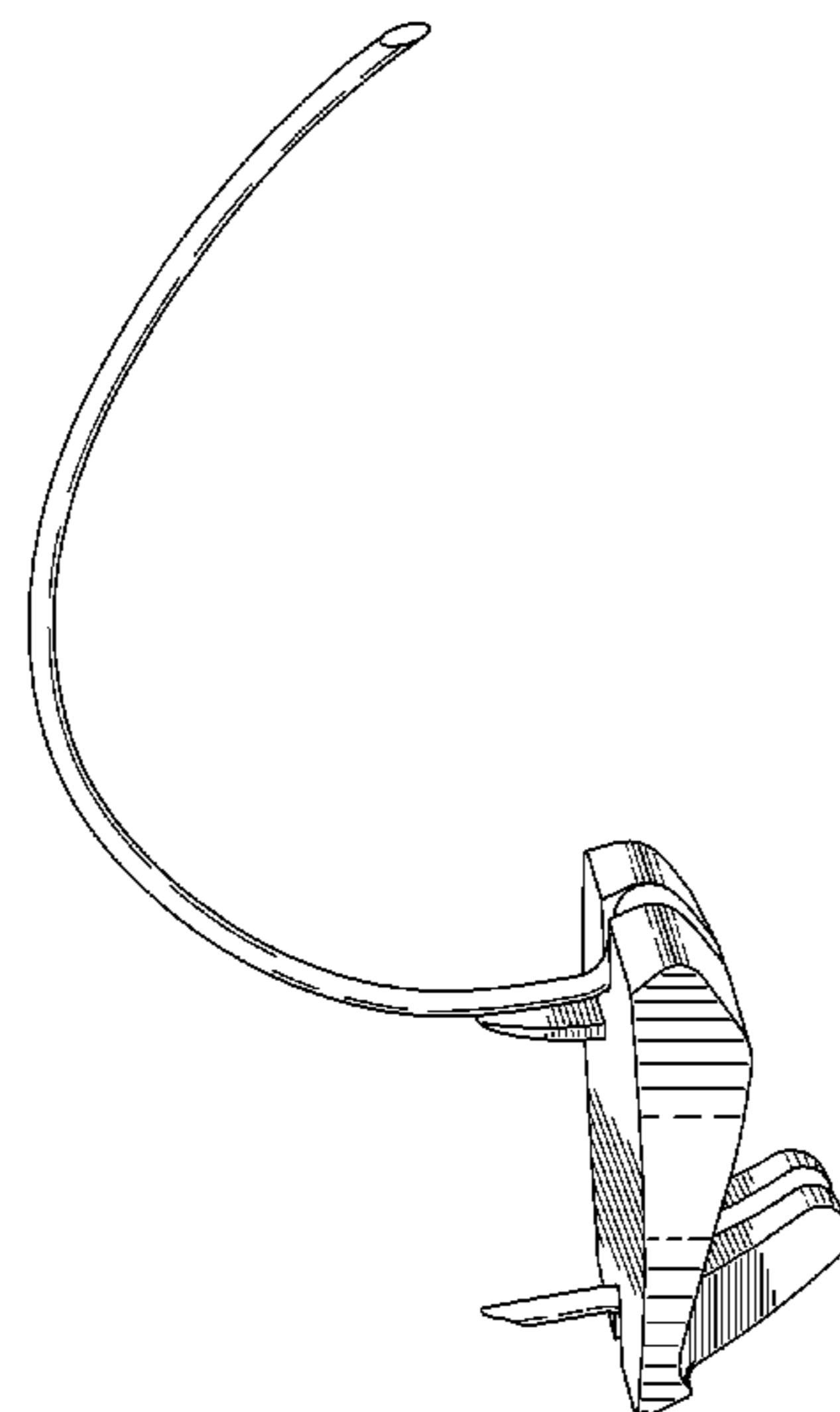
This application is a divisional of and claims priority from
U.S. application No. 29/350,548, which was filed on Nov. 18,
2009. This Application is being filed concurrently with appli-
cation Nos. 29/387,308, 29/387,311, 29/387,313, and
29/387,315, which are also divisionals of application No.
29/350,548.

FIG. 1 is a front perspective view of the wall-mounted hook;
FIG. 2 is a rear perspective view of the wall-mounted hook;
FIG. 3 is a left side view of the wall-mounted hook of FIG. 1;
FIG. 4 is a front view of the wall-mounted hook of FIG. 1;
FIG. 5 is a top plan view of the wall-mounted hook of FIG. 1;
FIG. 6 is a bottom plan view of the wall-mounted hook of
FIG. 1; and,

FIG. 7 is a rear view of the wall-mounted hook of FIG. 1.

The broken line showing of the figures is included for the
purpose of illustrating portions of the article and forms no part
of the claimed design.

1 Claim, 5 Drawing Sheets



US D650,261 S

Page 2

U.S. PATENT DOCUMENTS

1,670,398 A	5/1928	Silvino	5,702,218 A	12/1997	Onofrio	
1,676,197 A	7/1928	Marrinan	5,725,302 A	3/1998	Sirkin	
1,780,474 A	11/1930	Glazer	5,752,792 A	5/1998	McSherry	
1,802,934 A	4/1931	Balch	5,755,545 A	5/1998	Banks	
1,999,575 A	4/1935	Reuter et al.	5,833,415 A	11/1998	McSherry	
2,193,306 A	3/1940	Tinnerman	D404,287 S	1/1999	Hepworth	
2,282,631 A	5/1942	Winship	5,876,169 A	3/1999	Wrigley	
2,339,841 A	1/1944	Deuchler et al.	5,878,988 A	3/1999	Rakower	
D170,196 S	8/1953	Gries	D409,082 S	5/1999	Donahue	
2,698,470 A	1/1955	Buedingen	5,944,295 A	8/1999	McSherry	
2,751,807 A	6/1956	Harre	D417,385 S	12/1999	Bries et al.	
2,883,946 A	4/1959	Kleef	6,036,149 A	3/2000	Del Pino et al.	
2,908,196 A	10/1959	Apfelzweig	D424,816 S *	5/2000	Snell	D6/323
2,916,235 A	12/1959	Nagel	6,126,126 A	10/2000	McKiernan, Jr.	
3,020,602 A	2/1962	Siering	6,250,865 B1	6/2001	McSherry	
3,127,807 A	4/1964	Modrey	6,279,862 B1	8/2001	Gershowitz	
3,143,915 A	8/1964	Tendler	D457,419 S	5/2002	McSherry et al.	
3,248,994 A	5/1966	Mortensen	6,419,436 B1	7/2002	Gaudron	
3,268,195 A	8/1966	Hoffman	6,435,789 B2	8/2002	Gaudron	
3,282,547 A	11/1966	Ables	6,457,926 B1	10/2002	Pope	
3,288,014 A	11/1966	Aackersberg	D473,451 S *	4/2003	Goodman et al.	D8/367
3,298,651 A	1/1967	Passer	D480,292 S *	10/2003	Johansson et al.	D8/367
3,618,447 A	11/1971	Goins	D480,625 S *	10/2003	Snell	D8/367
3,645,163 A	2/1972	Byland	D486,057 S	2/2004	Chen	
3,707,898 A	1/1973	Holly	D493,699 S *	8/2004	Goodman et al.	D8/367
3,752,030 A	8/1973	Steurer	D494,452 S	8/2004	Sheldon et al.	
3,861,631 A	1/1975	Shorin	6,821,069 B2	11/2004	Ikuta	
3,891,176 A	6/1975	Downing et al.	6,830,228 B2	12/2004	Ernst	
3,912,211 A	10/1975	Topf	6,884,012 B2	4/2005	Panasik	
3,926,394 A	12/1975	Mauceri et al.	D515,911 S	2/2006	McDuff	
3,966,157 A	6/1976	Corral et al.	D516,412 S	3/2006	McDuff	
4,043,245 A	8/1977	Kaplan	7,160,074 B2	1/2007	Ernst et al.	
4,075,924 A	2/1978	McSherry et al.	D554,481 S *	11/2007	Newbould et al.	D8/367
4,120,231 A	10/1978	Neumayer	D554,483 S *	11/2007	Hager et al.	D8/367
4,181,061 A	1/1980	McSherry	D557,595 S *	12/2007	Ernst et al.	D8/373
D259,700 S	6/1981	Chasen	D566,532 S *	4/2008	Wolff	D8/367
4,274,324 A	6/1981	Giannuzzi	7,395,998 B2	7/2008	Peterson	
4,285,264 A	8/1981	Einhorn	7,547,171 B2	6/2009	McDuff	
4,286,497 A	9/1981	Shamah	D596,930 S	7/2009	Gaudron	
4,294,156 A	10/1981	McSherry et al.	D607,311 S *	1/2010	Snider	D8/367
4,300,745 A	11/1981	Peterson	7,694,401 B2	4/2010	Peterson	
4,406,108 A	9/1983	Beck et al.	7,713,013 B2	5/2010	Sedgwick et al.	
4,573,844 A	3/1986	Smith	D626,403 S *	11/2010	Portz	D8/367
4,613,108 A	9/1986	Sundstrom et al.	D630,088 S *	1/2011	Kim	D8/367
4,619,430 A	10/1986	Hogg	D630,089 S *	1/2011	Kim	D8/367
4,650,386 A	3/1987	McSherry et al.	D635,843 S	4/2011	McDuff et al.	
4,697,969 A	10/1987	Sparkes	D636,256 S	4/2011	McDuff et al.	
4,719,917 A	1/1988	Barrows et al.	2001/0046429 A1	11/2001	Gaudron	
4,821,992 A	4/1989	Johnson	2007/0124910 A1	6/2007	Peterson et al.	
4,822,226 A	4/1989	Kennedy	2007/0235622 A1	10/2007	Baran et al.	
D301,975 S	7/1989	Mullen	2008/0253860 A1	10/2008	McDuff et al.	
4,871,140 A	10/1989	Hoskinson et al.				
5,028,030 A	7/1991	Lewis				
5,059,077 A	10/1991	Schmid				
5,067,864 A	11/1991	Dewey et al.				
5,149,037 A	9/1992	Smith				
5,215,418 A	6/1993	Trainer et al.				
5,221,169 A	6/1993	McSherry et al.				
5,236,293 A	8/1993	McSherry et al.				
D339,980 S	10/1993	Sheehan				
5,267,718 A	12/1993	Sheehan				
5,267,719 A	12/1993	Keller				
5,308,203 A	5/1994	McSherry et al.				
5,322,401 A	6/1994	Vernet				
5,437,429 A	8/1995	Atlas				
5,529,449 A	6/1996	McSherry et al.				
5,536,121 A	7/1996	McSherry				
5,584,462 A	12/1996	Reese				
5,596,792 A	1/1997	Shelton				

FOREIGN PATENT DOCUMENTS

CA	2420718	9/2004
CH	491296	5/1970
EP	0713981 A1	5/1996
WO	96/02170	2/1996
WO	96/16273	5/1996
WO	2004079209 A1	9/2004

OTHER PUBLICATIONS

International Search Report for PCT/CA2006/000419 mailed Jul. 6, 2006.

International Search Report for PCT/CA2006/000428 mailed Jul. 13, 2006.

International Search Report for PCT/US2003/039974 mailed Jul. 16, 2004.

* cited by examiner

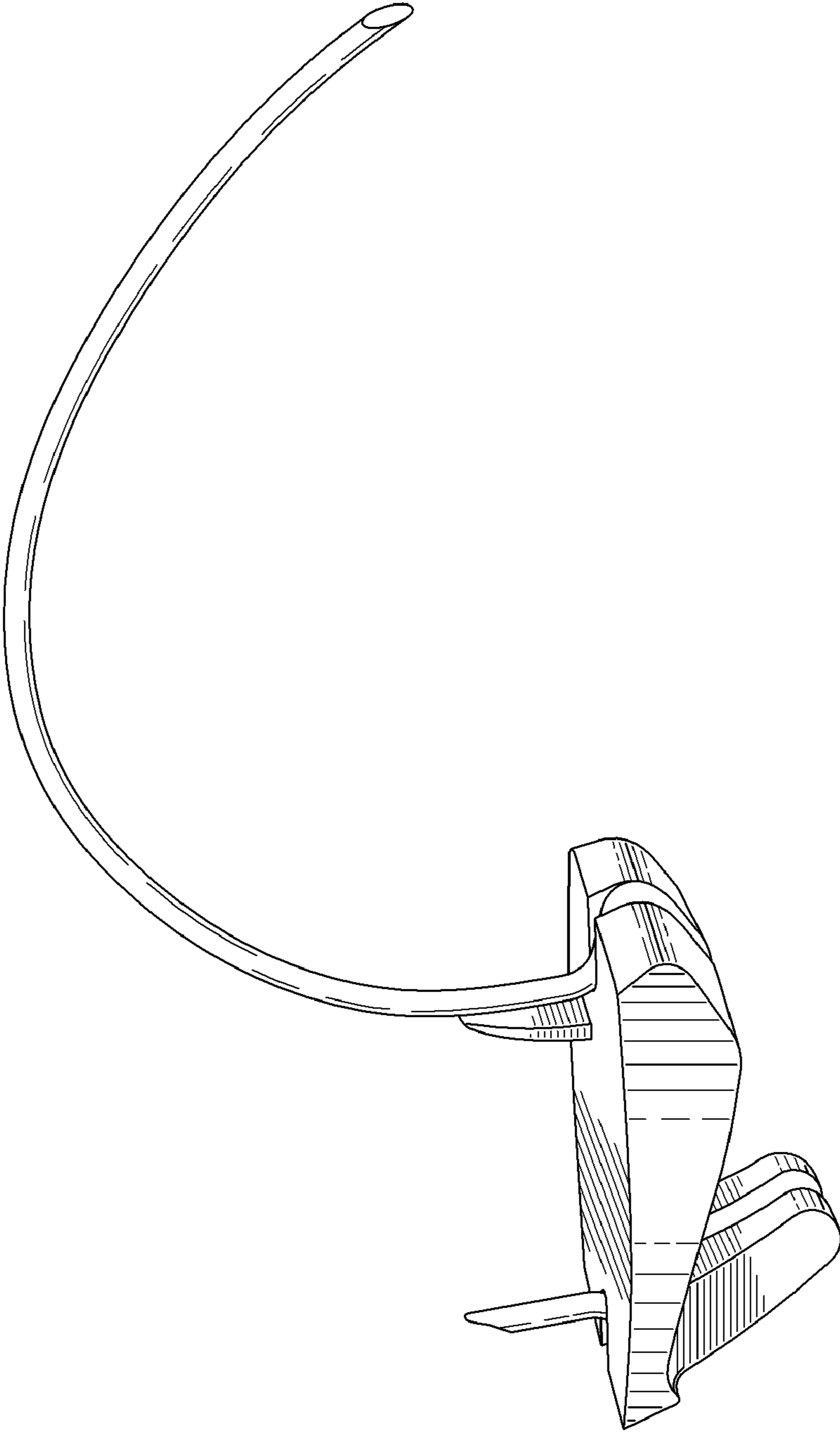


FIG. 1

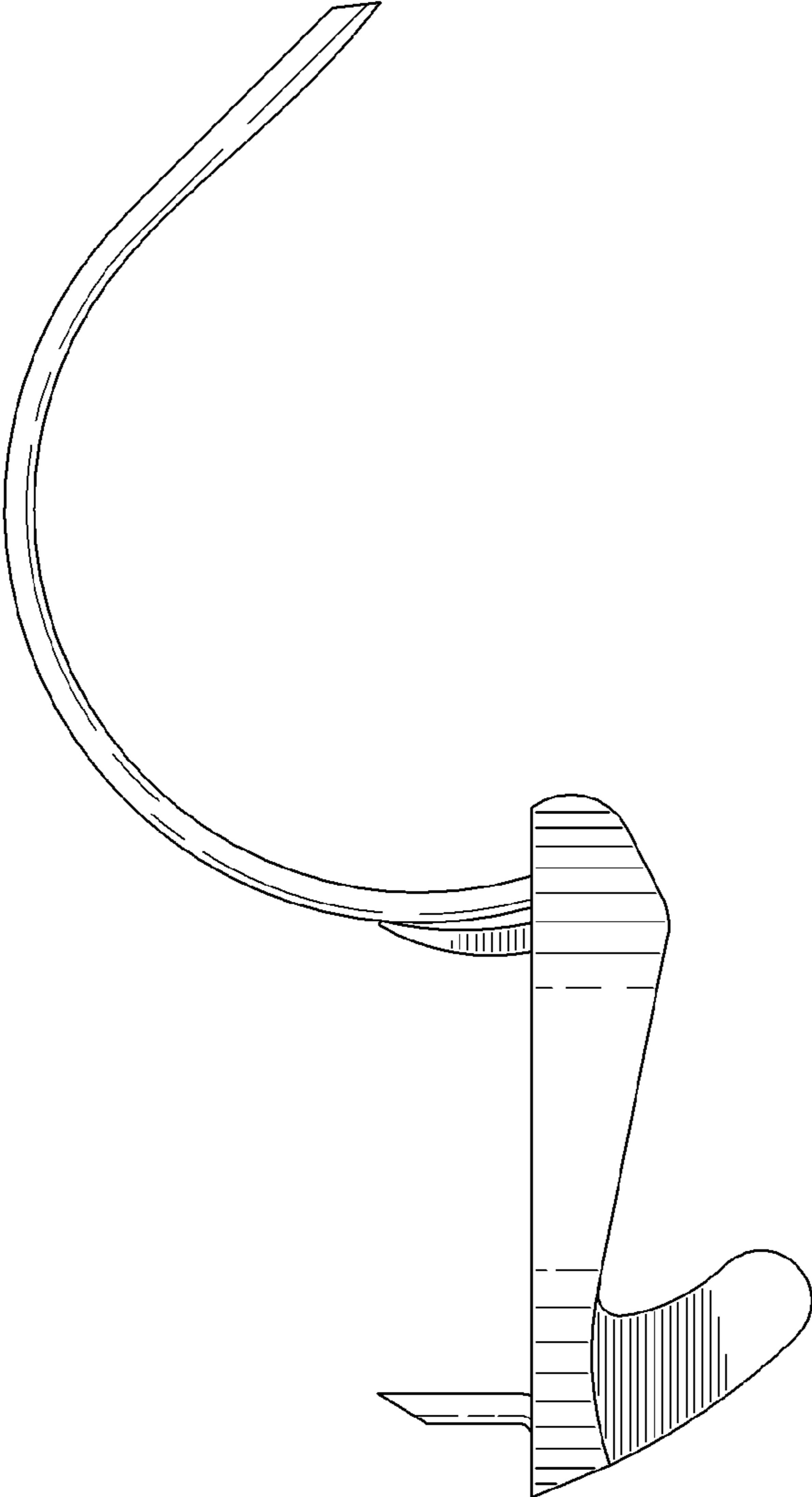


FIG. 2

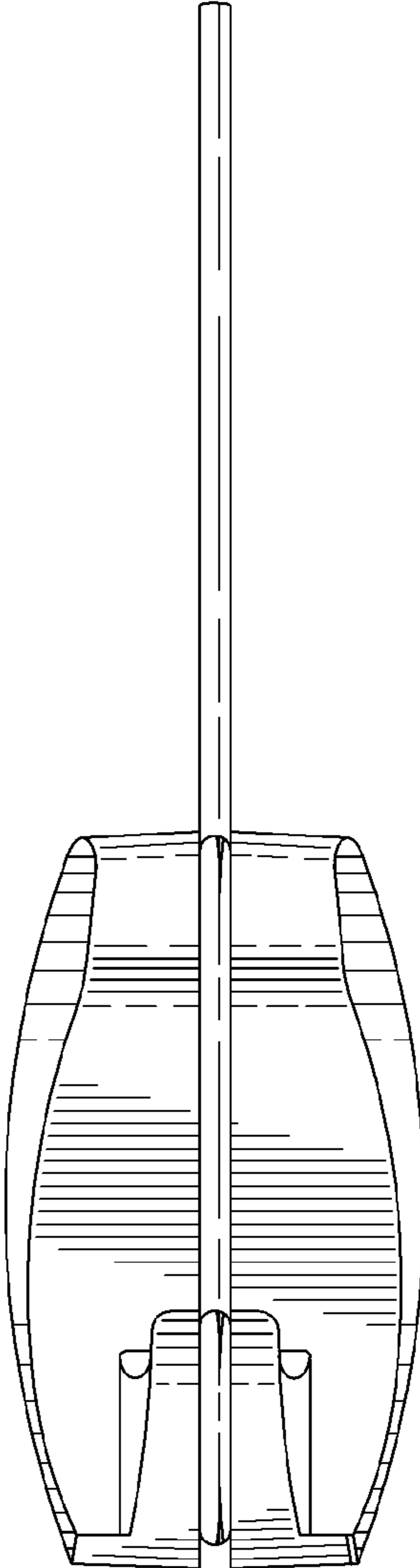


FIG. 3

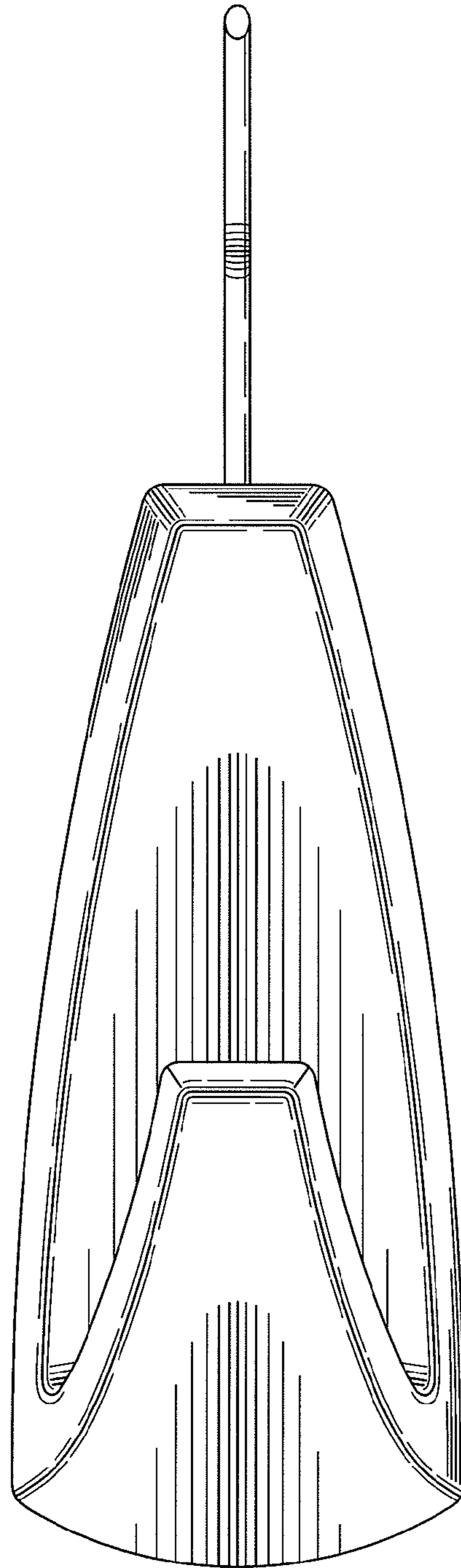


FIG. 4

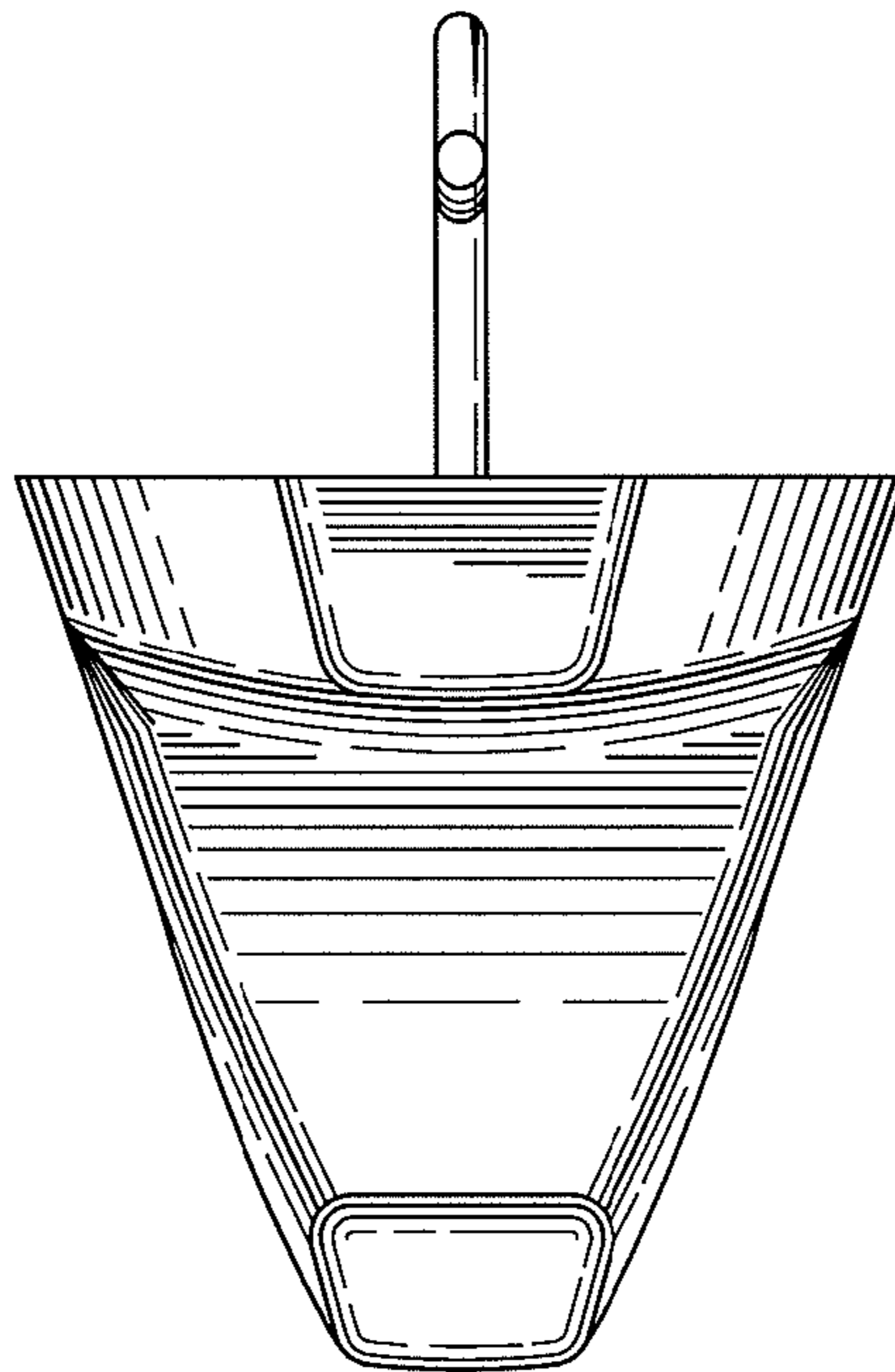


FIG. 5

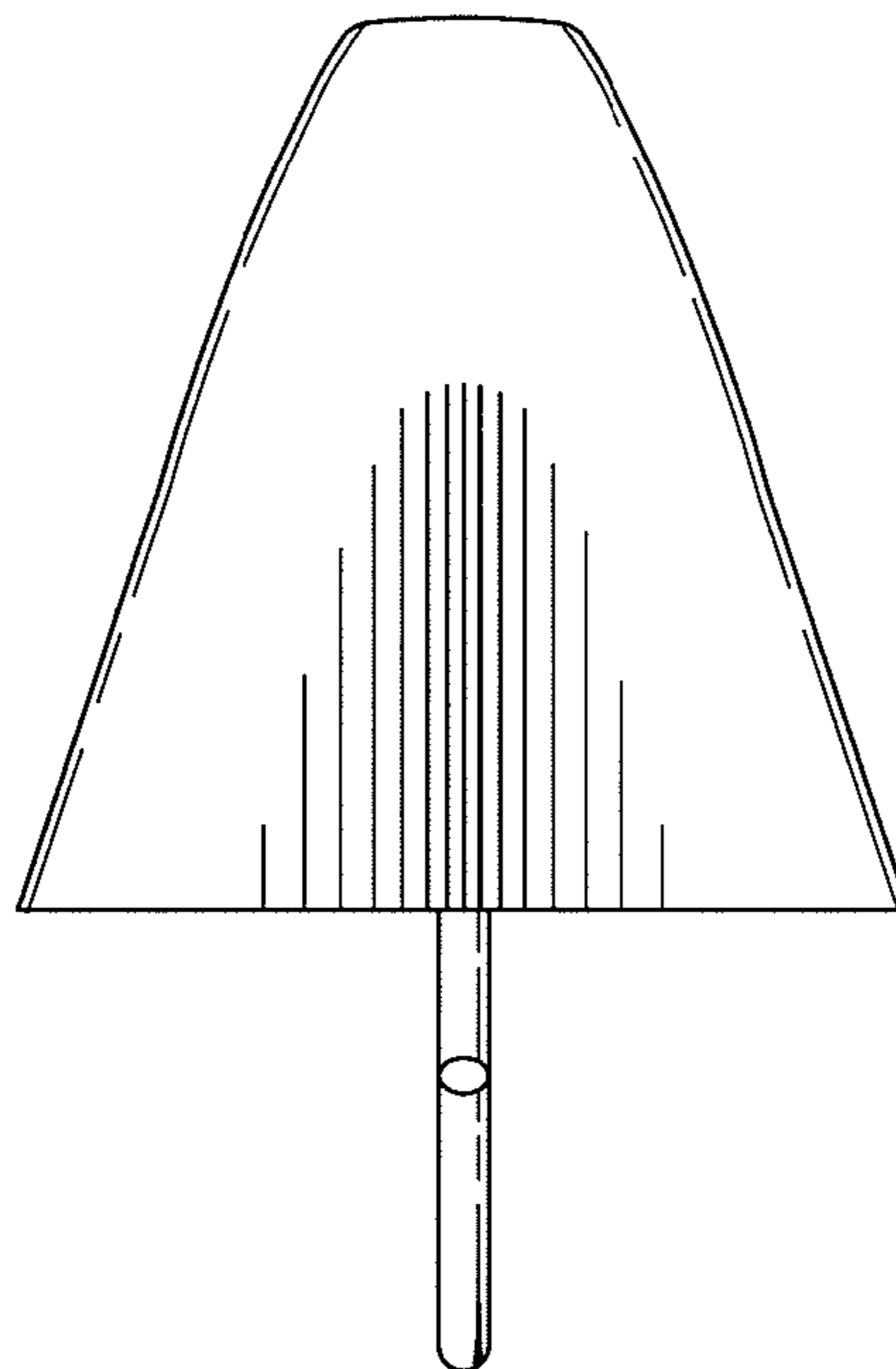


FIG. 6

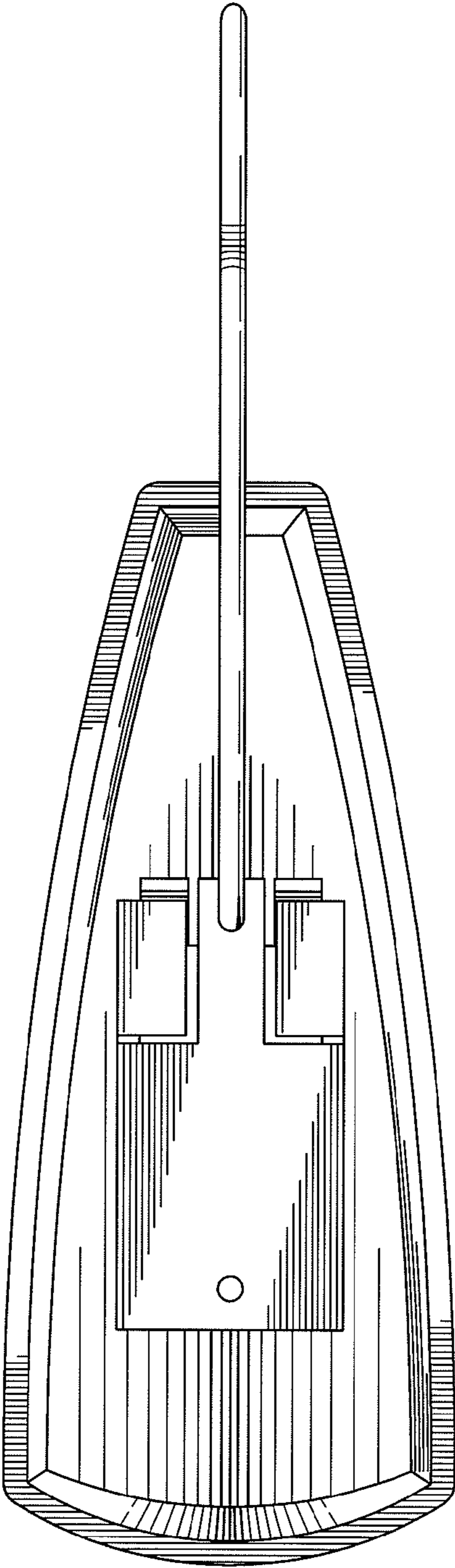


FIG. 7