



US00D650257S

(12) **United States Design Patent**
Royes et al.

(10) **Patent No.:** **US D650,257 S**

(45) **Date of Patent:** **** *Dec. 13, 2011**

(54) **MULTI FUNCTIONAL HAND TOOL**

(75) Inventors: **Kevin Royes**, North Vancouver (CA);
Mathew Donald Hunsberger,
Vancouver (CA); **Annalyn Carlos**
Coloma Royes, North Vancouver (CA)

(73) Assignee: **OpusCreo Design Corporation**, North
Vancouver (CA)

(*) Notice: This patent is subject to a terminal dis-
claimer.

(**) Term: **14 Years**

(21) Appl. No.: **29/328,246**

(22) Filed: **Nov. 20, 2008**

(51) **LOC (9) Cl.** **08-05**

(52) **U.S. Cl.** **D8/105**

(58) **Field of Classification Search** D8/99,
D8/58, 55, 356, 52, 107, 105; D19/65; 81/440,
81/427.5, 177.4; 7/160, 138, 128, 118; 30/298.4,
30/162, 161, 155

See application file for complete search history.

(56) **References Cited**

U.S. PATENT DOCUMENTS

580,235	A	4/1897	Strum	
1,187,842	A	6/1916	Kass	
4,783,867	A *	11/1988	Tsao	7/160
4,815,346	A	3/1989	Littlehorn	
D302,102	S *	7/1989	Amagaya	D8/105
D308,462	S *	6/1990	Komatsu	D8/105
5,653,525	A *	8/1997	Park	362/119
D383,048	S	9/1997	Sorensen et al.	
5,711,042	A *	1/1998	Chuang	7/138
5,711,194	A	1/1998	Anderson et al.	

D394,792	S *	6/1998	Bourque	D8/98
D427,875	S *	7/2000	Chiu	D8/105
6,085,620	A *	7/2000	Anderson et al.	81/440
6,112,351	A *	9/2000	Hawkins et al.	7/138
D435,141	S *	12/2000	Reynolds	D27/142
6,308,599	B1	10/2001	Hui	
D455,630	S	4/2002	Chiu	
D470,738	S *	2/2003	Kao	D8/105
D472,931	S	4/2003	Leins	
D479,963	S *	9/2003	Chang	D8/21
D494,438	S *	8/2004	Falkenstein et al.	D8/105
6,913,368	B2 *	7/2005	Leu	362/119
6,983,505	B2	1/2006	McIntosh et al.	
D522,820	S	6/2006	Chan	
7,140,280	B2 *	11/2006	Hawkins et al.	81/440

* cited by examiner

Primary Examiner — Austin Murphy

(74) *Attorney, Agent, or Firm* — ÆON Law; Adam L. K. Philipp

(57) **CLAIM**

We claim the ornamental design for a multi functional hand tool, as shown and described.

DESCRIPTION

FIG. 1 is a right side, front perspective view of the tool in its fully closed position

FIG. 2 is a right side view of the tool in its fully closed position

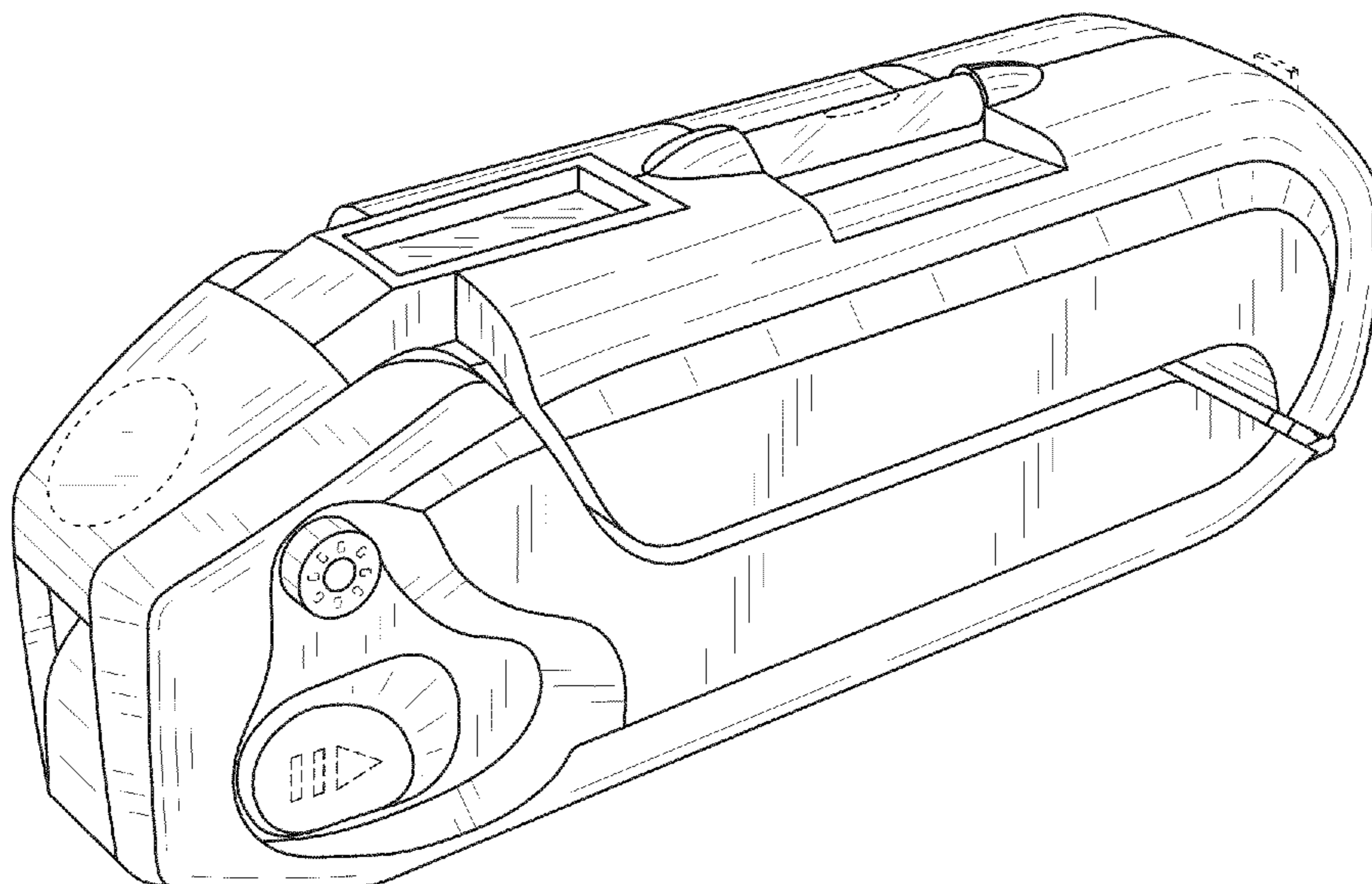
FIG. 3 is a left side view of the tool in its fully closed position

FIG. 4 is a top view of the tool in its fully closed position; and,

FIG. 5 is a right side, perspective view of the tool with the bit extender fully open and the bit storage cover fully open showing storage for 15 additional screwdriver bits.

The broken lines shown in the drawings represent portions of the multi functional hand tool that form no part of the claimed design.

1 Claim, 5 Drawing Sheets



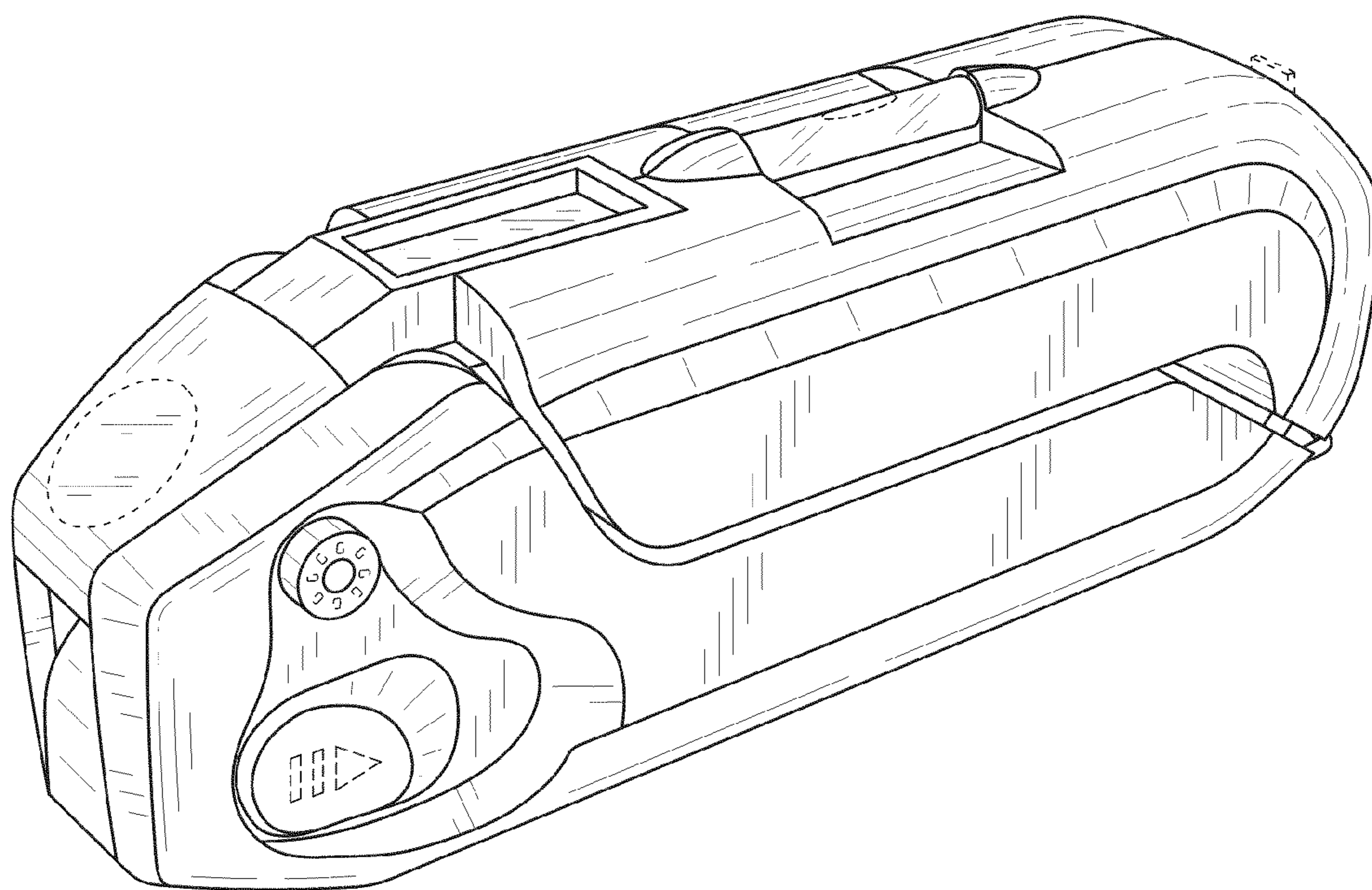


FIG. 1

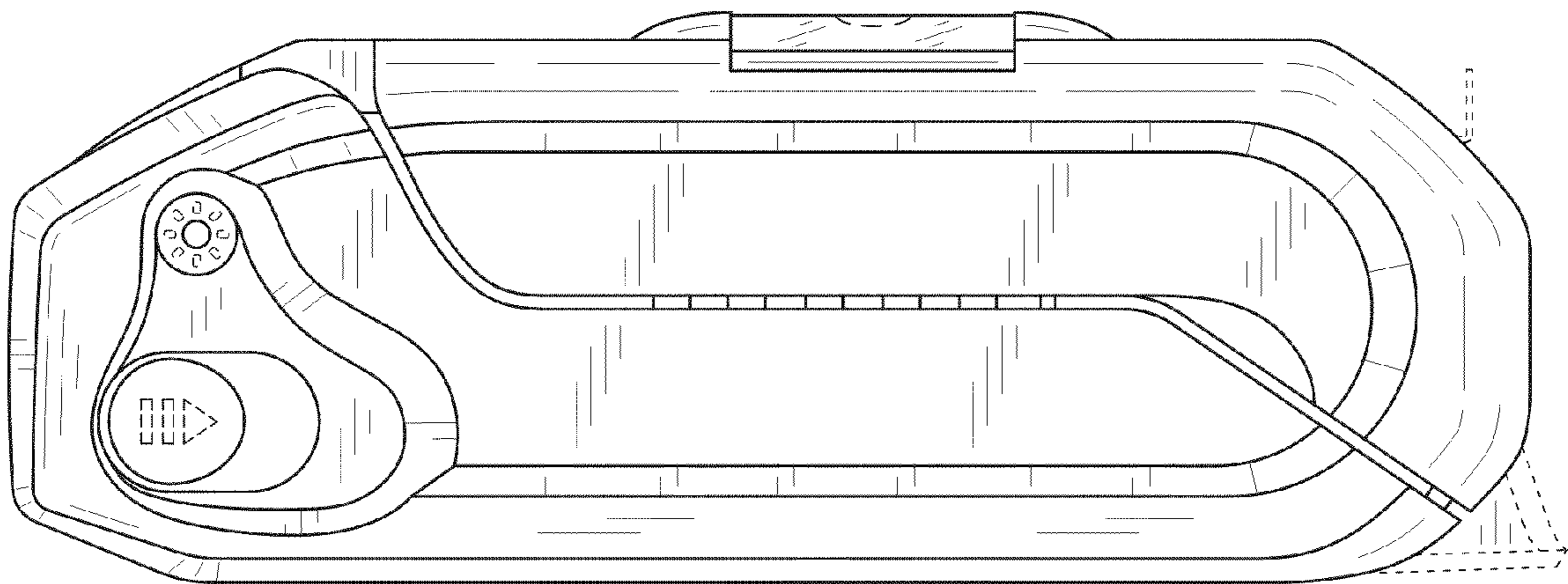


FIG. 2

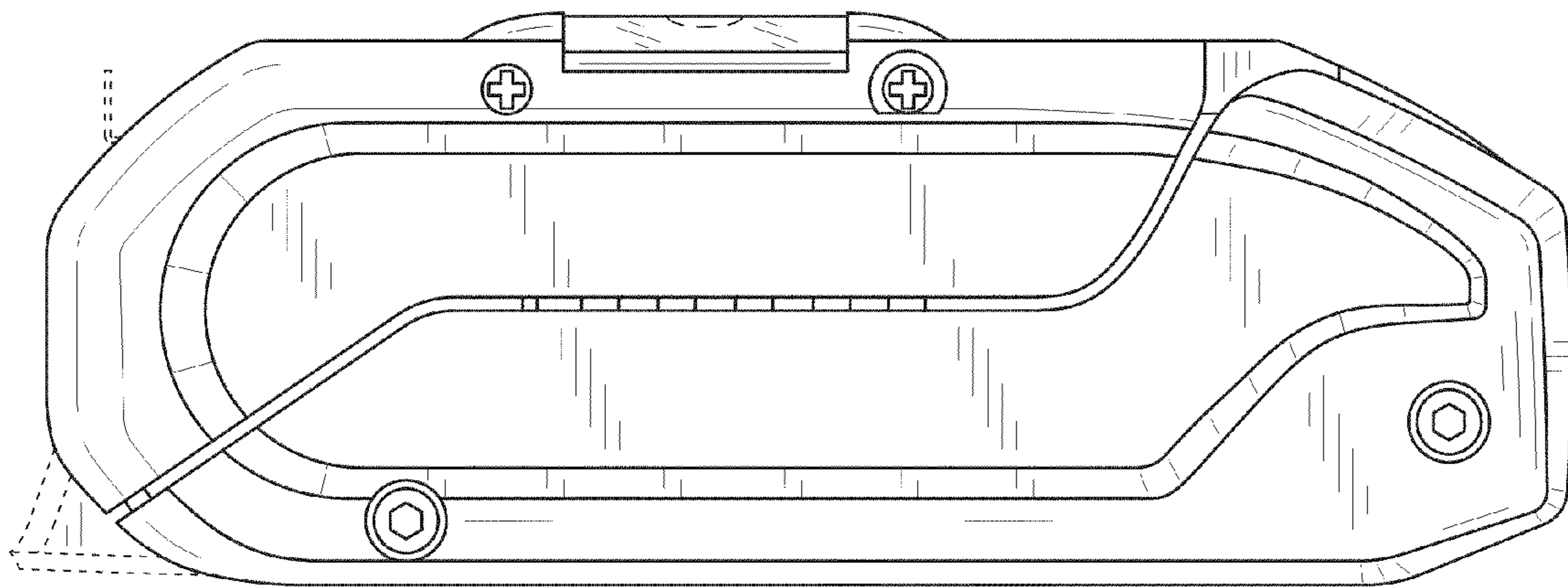


FIG. 3

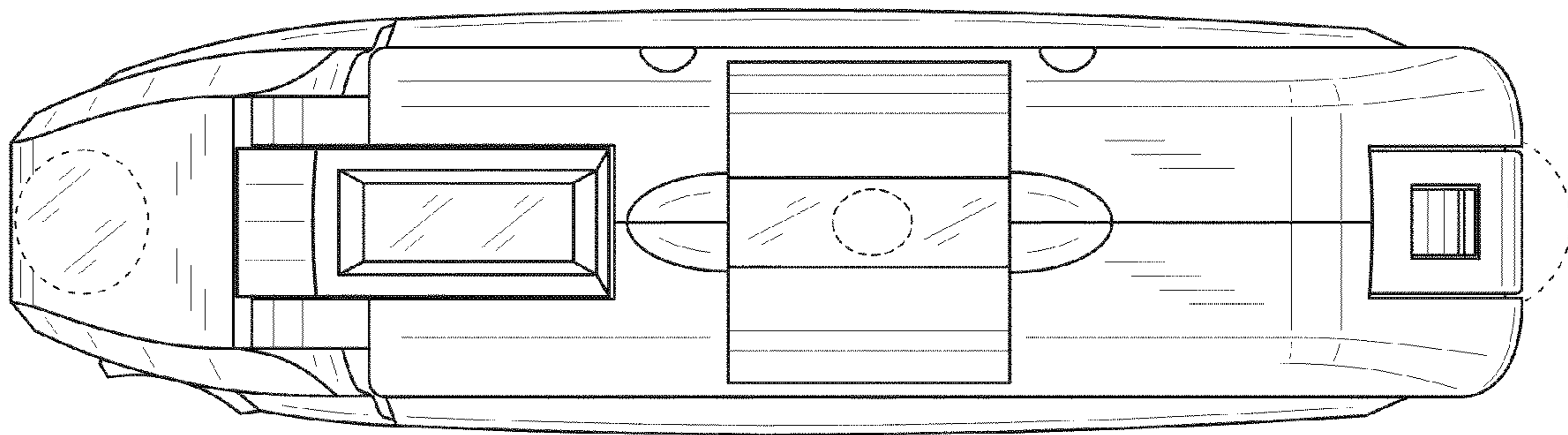


FIG. 4

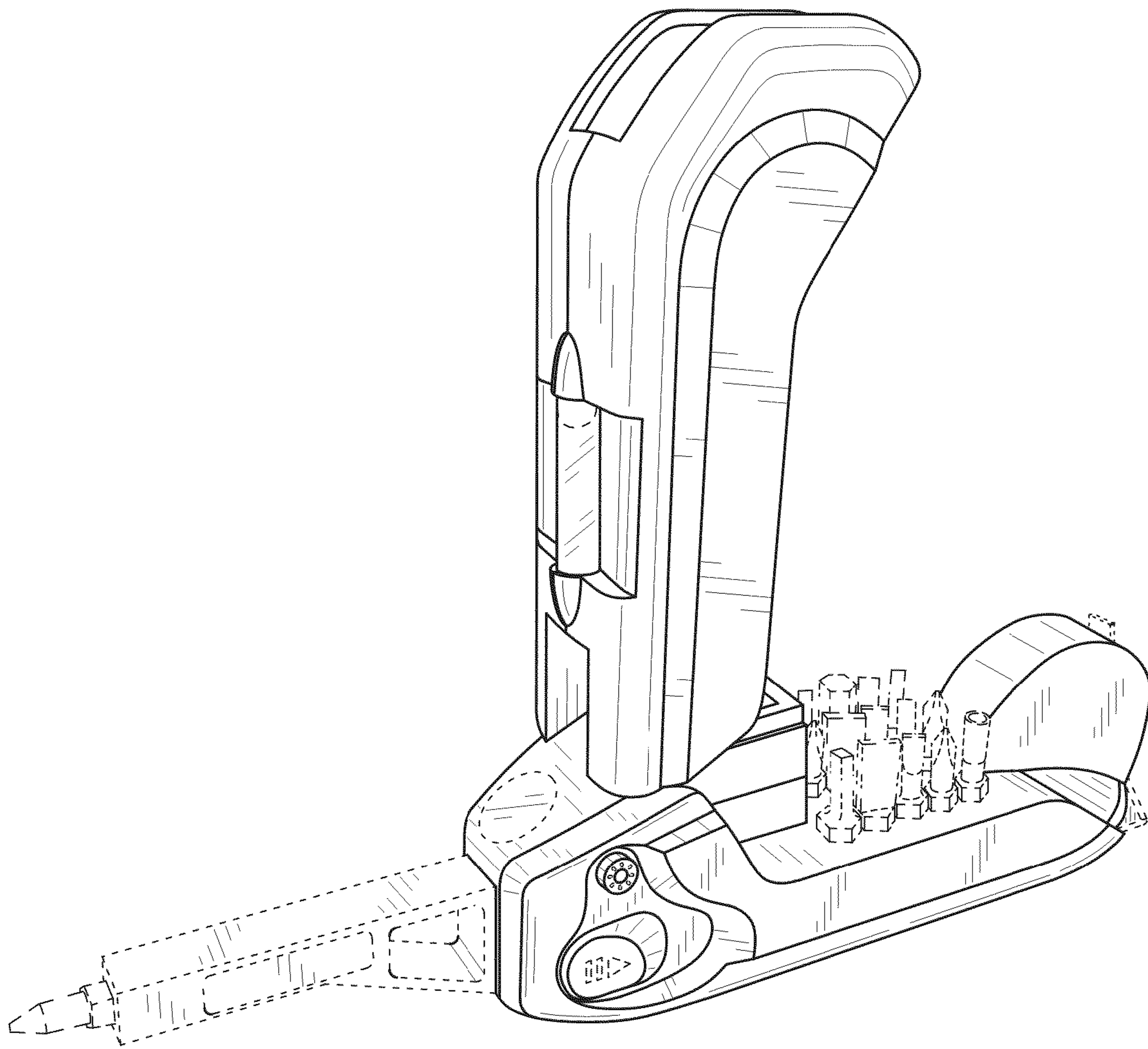


FIG. 5