

US00D650256S

(12) **United States Design Patent**
Sterpka et al.

(10) **Patent No.:** **US D650,256 S**

(45) **Date of Patent:** **** Dec. 13, 2011**

(54) **HANDLE TOOL**

(75) Inventors: **Frank Sterpka**, West Hartford, CT
(US); **Robert Bruno**, Avon, CT (US);
Emmanuel Thery, Le Bignon (FR)

(73) Assignee: **Chicago Pneumatic Tool Company**,
Rock Hill, SC (US)

(**) Term: **14 Years**

(21) Appl. No.: **29/388,948**

(22) Filed: **Apr. 5, 2011**

(51) **LOC (9) Cl.** **08-04**

(52) **U.S. Cl.** **D8/68**

(58) **Field of Classification Search** D8/14.1,
D8/61, 62, 63, 64, 65, 66, 67, 68, 69, 70;
81/57.11, 429, 454, 455, 456, 469, 489; 173/13,
173/104, 114, 168, 169, 170, 171, 178, 201,
173/211, 213, 217; 408/20, 124, 125, 234,
408/241 R; 451/358; 310/50; 227/8, 113,
227/114, 120, 130, 136, 142

See application file for complete search history.

(56) **References Cited**

U.S. PATENT DOCUMENTS

D436,818	S	*	1/2001	Izumisawa	D8/68
D534,047	S	*	12/2006	Chi	D8/68
D540,134	S	*	4/2007	Clay	D8/68
D540,641	S	*	4/2007	Clay	D8/68
D591,127	S	*	4/2009	Taga	D8/68
D610,888	S	*	3/2010	Izumisawa et al.	D8/68
D617,622	S	*	6/2010	Lopano	D8/68

* cited by examiner

Primary Examiner — Antoine D Davis

(74) *Attorney, Agent, or Firm* — Schmeiser, Olsen & Watts,
LLP

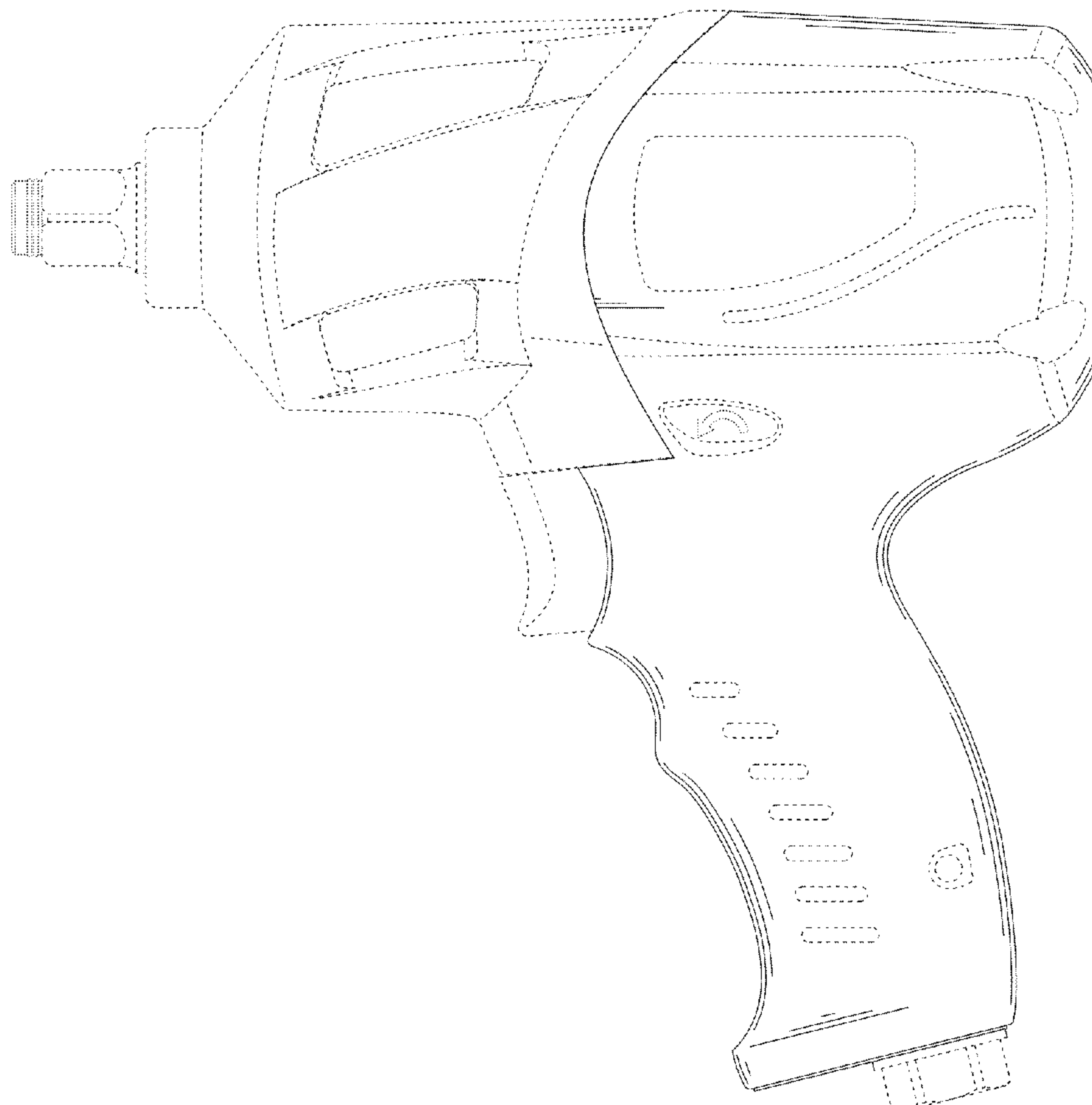
(57) **CLAIM**

The ornamental design for a handle tool, as shown and described.

DESCRIPTION

FIG. 1 is a left side view of an embodiment of the present invention showing our design for a nose tool; FIG. 2 is a right side view thereof; FIG. 3 is a front view thereof; FIG. 4 is a rear view thereof; FIG. 5 is a top view thereof; and, FIG. 6 is a bottom view thereof. The broken lines showing are for illustrative purposes only and form no part of the claimed design.

1 Claim, 6 Drawing Sheets



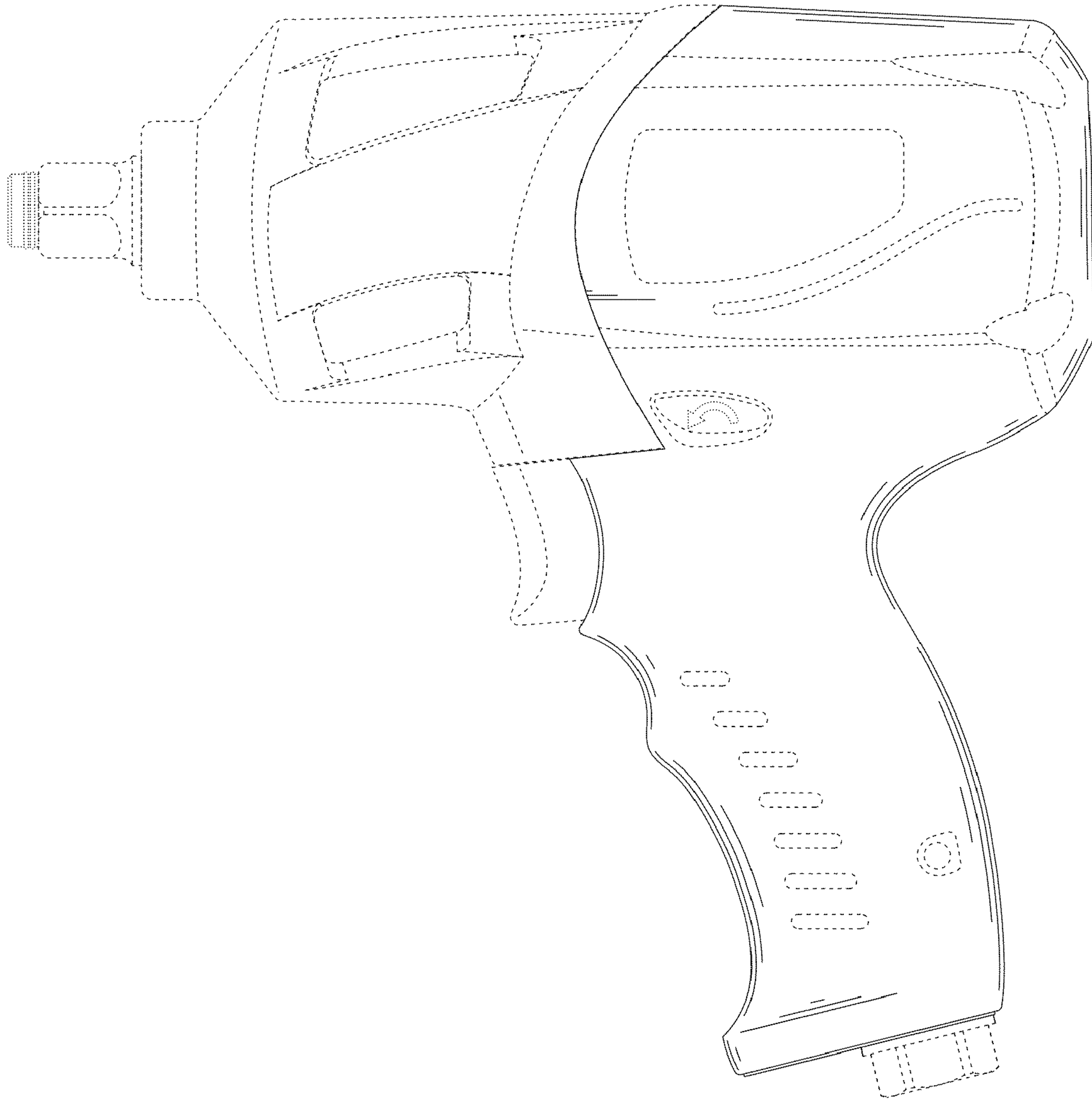


FIG. 1

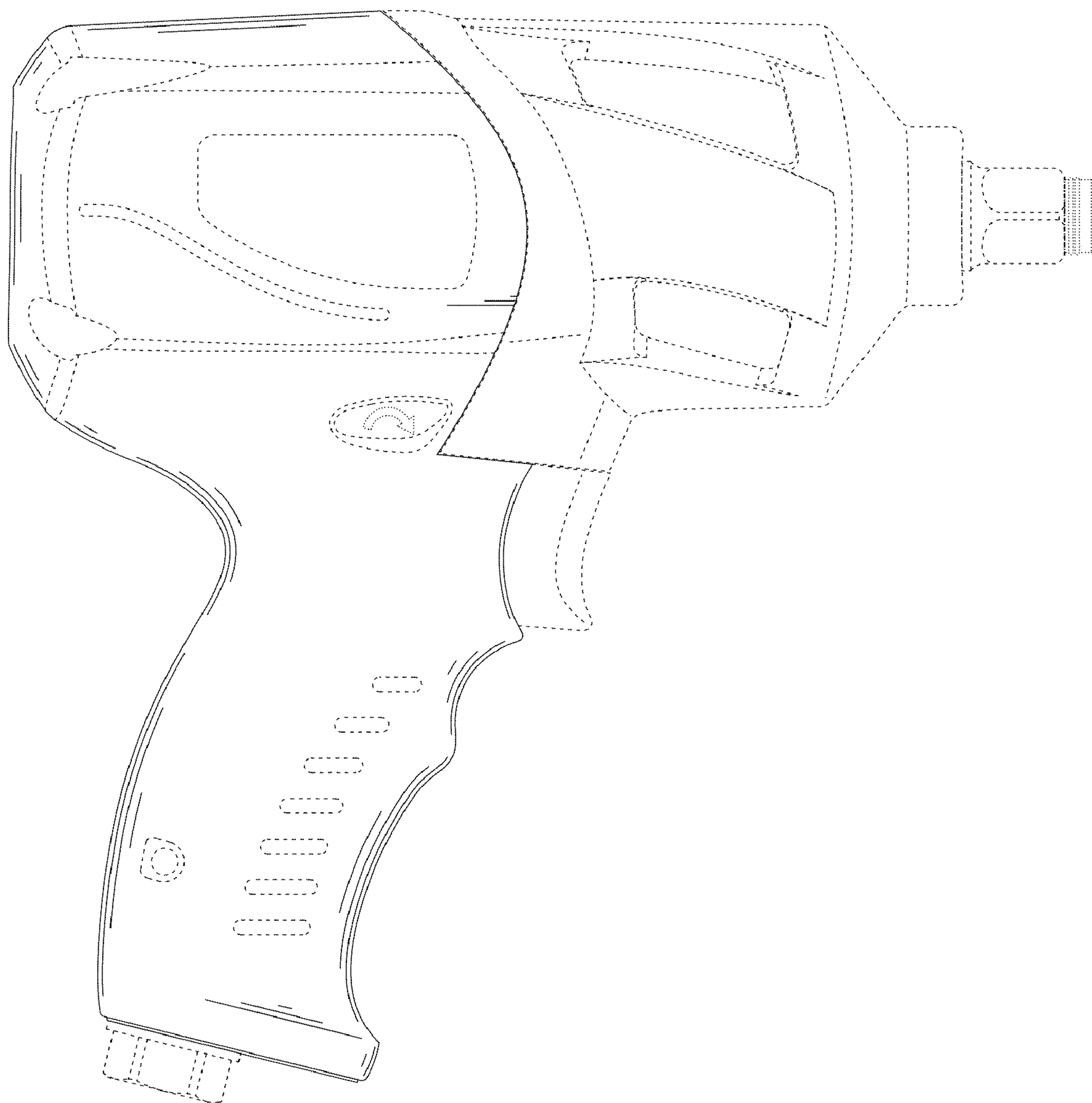


FIG. 2

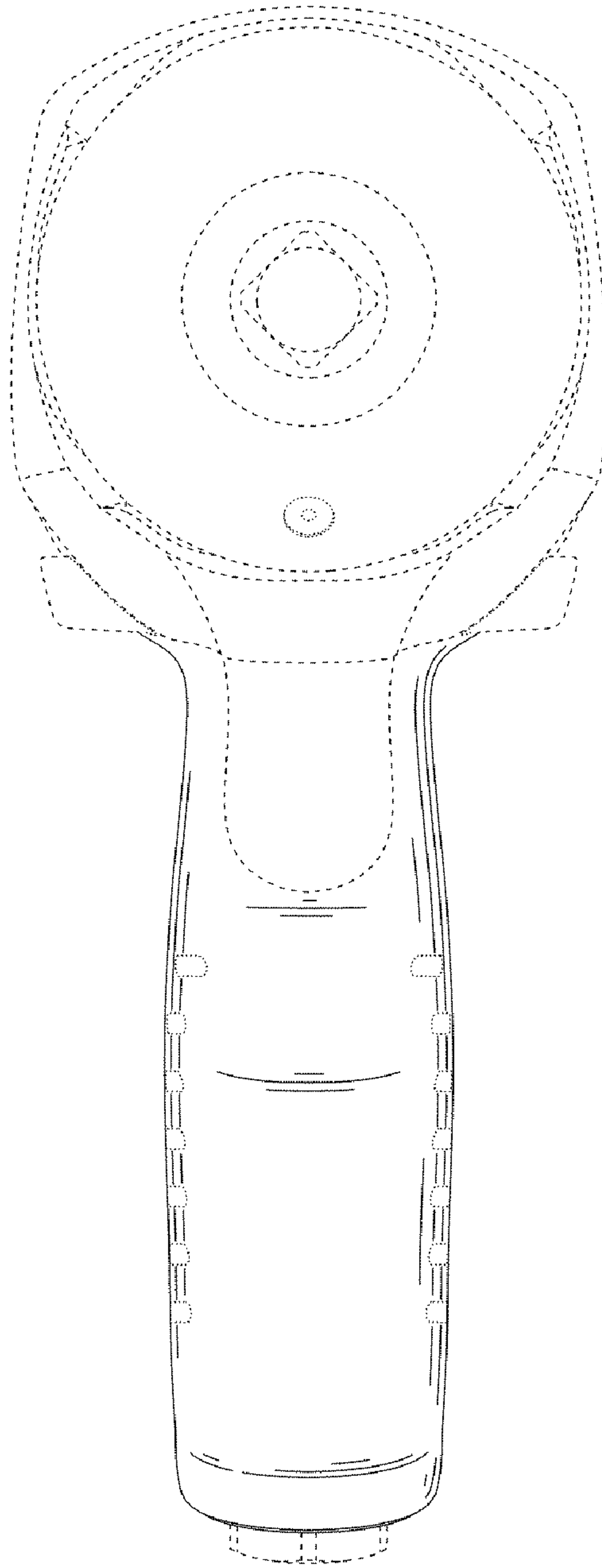


FIG. 3

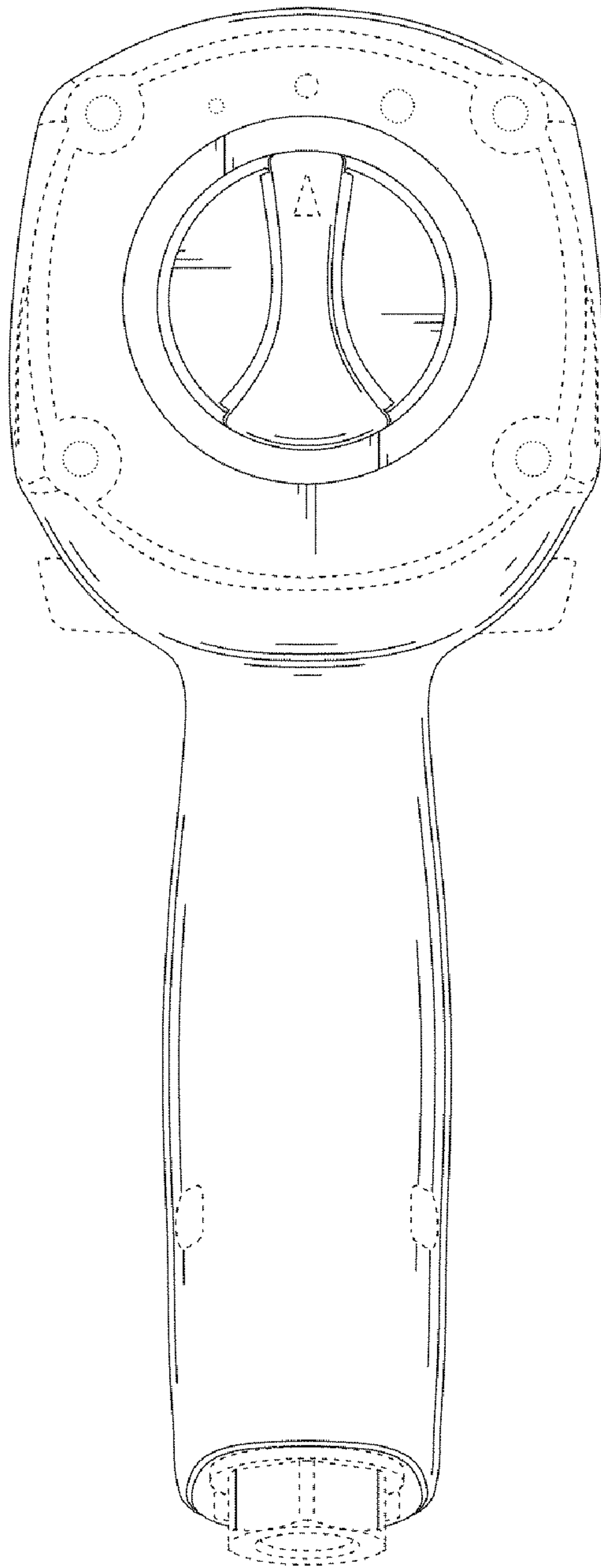


FIG. 4

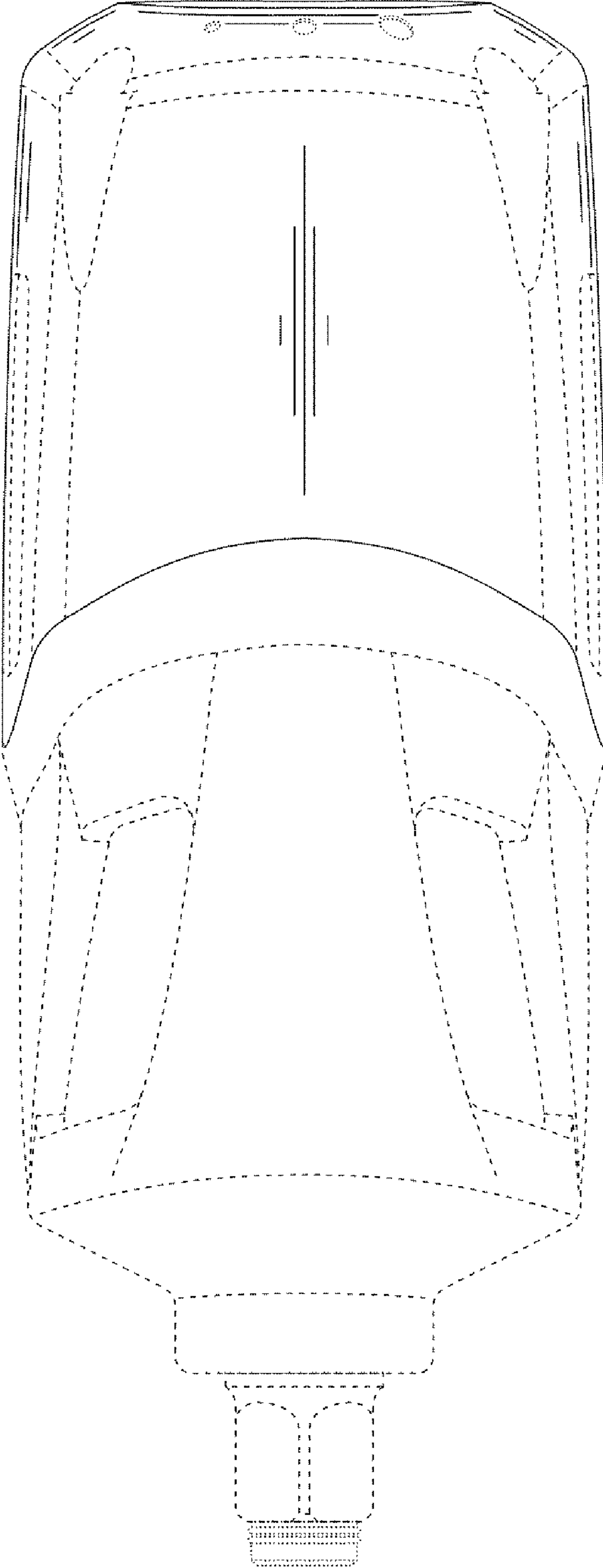


FIG. 5

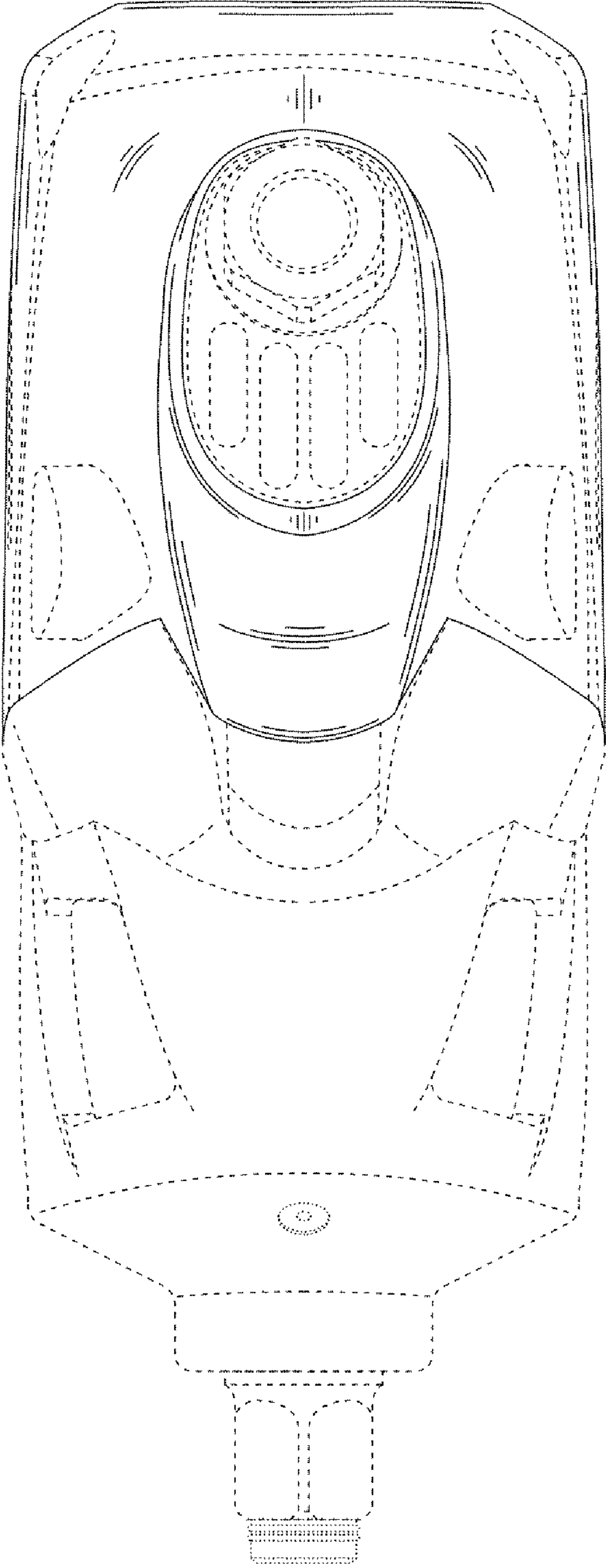


FIG. 6