

US00D650255S

(12) **United States Design Patent**  
**Sterpka et al.**

(10) **Patent No.:** **US D650,255 S**

(45) **Date of Patent:** **\*\* Dec. 13, 2011**

(54) **NOSE TOOL**

(75) Inventors: **Frank Sterpka**, West Hartford, CT  
(US); **Robert Bruno**, Avon, CT (US);  
**Emmanuel Thery**, Le Bignon (FR)

(73) Assignee: **Chicago Pneumatic Tool Company**,  
Rock Hill, SC (US)

(\*\*) Term: **14 Years**

(21) Appl. No.: **29/388,946**

(22) Filed: **Apr. 5, 2011**

(51) **LOC (9) Cl.** ..... **08-04**

(52) **U.S. Cl.** ..... **D8/68**

(58) **Field of Classification Search** ..... D8/14.1,  
D8/61, 62, 63, 64, 65, 66, 67, 68, 69, 70;  
81/57.11, 429, 454, 455, 456, 469, 489; 173/13,  
173/104, 114, 168, 169, 170, 171, 178, 201,  
173/211, 213, 217; 408/20, 124, 125, 234,  
408/241 R; 451/358; 310/50; 227/8, 113,  
227/114, 120, 130, 136, 142

See application file for complete search history.

(56) **References Cited**

U.S. PATENT DOCUMENTS

D436,818 S *	1/2001	Izumisawa	.....	D8/68
D534,047 S *	12/2006	Chi	.....	D8/68
D540,134 S *	4/2007	Clay	.....	D8/68
D540,641 S *	4/2007	Clay	.....	D8/68
D591,127 S *	4/2009	Taga	.....	D8/68
D610,888 S *	3/2010	Izumisawa et al.	.....	D8/68
D617,622 S *	6/2010	Lopano	.....	D8/68

\* cited by examiner

*Primary Examiner* — Antoine D Davis

(74) *Attorney, Agent, or Firm* — Schmeiser, Olsen & Watts,  
LLP

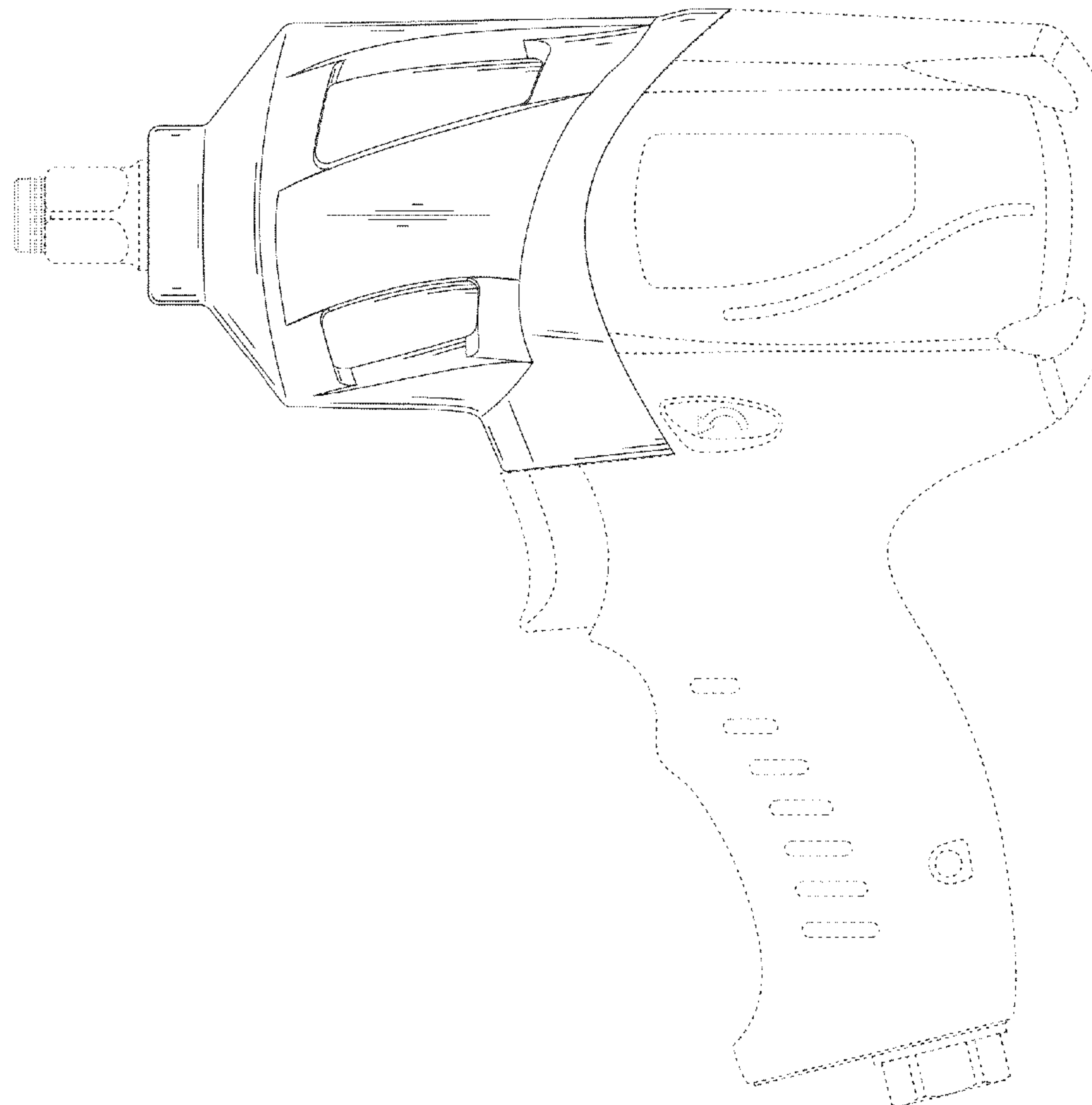
(57) **CLAIM**

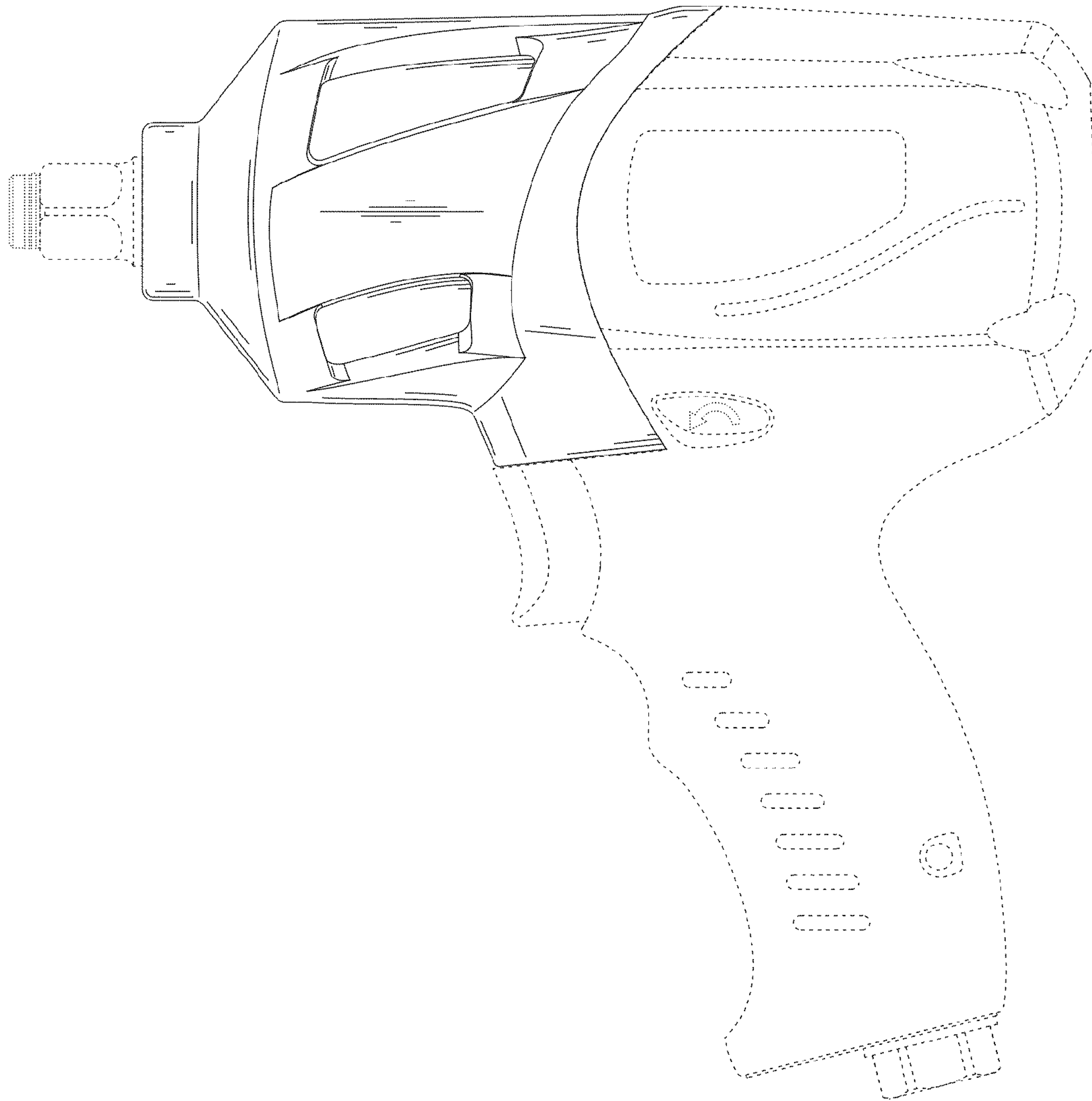
The ornamental design for a nose tool, as shown and described.

**DESCRIPTION**

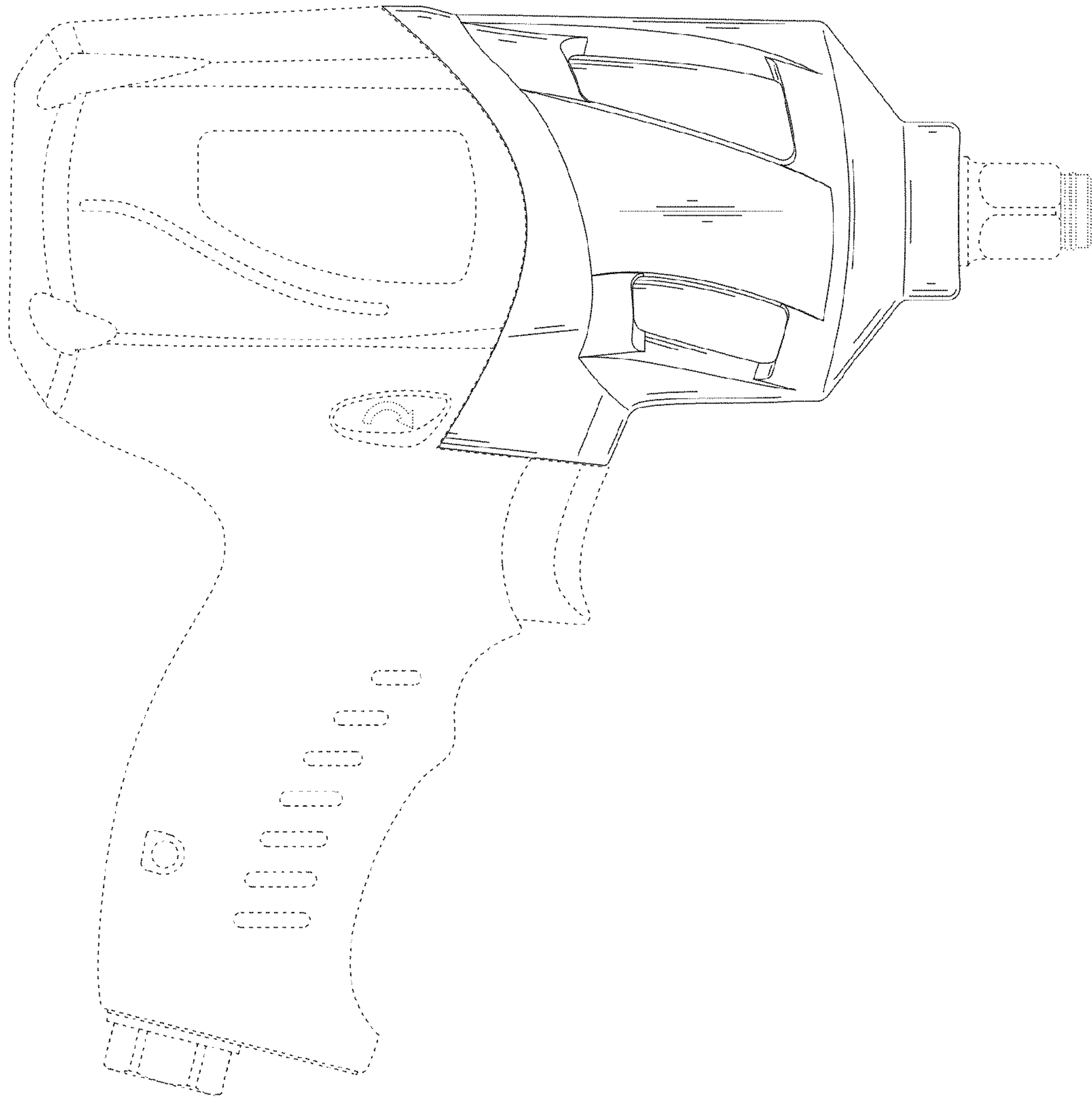
FIG. 1 is a left side view of an embodiment of the present invention showing our design for a nose tool; FIG. 2 is a right side view thereof; FIG. 3 is a front view thereof; FIG. 4 is a rear view thereof; FIG. 5 is a top view thereof; and, FIG. 6 is a bottom view thereof. The broken lines showing are for illustrative purposes only and form no part of the claimed design.

**1 Claim, 6 Drawing Sheets**

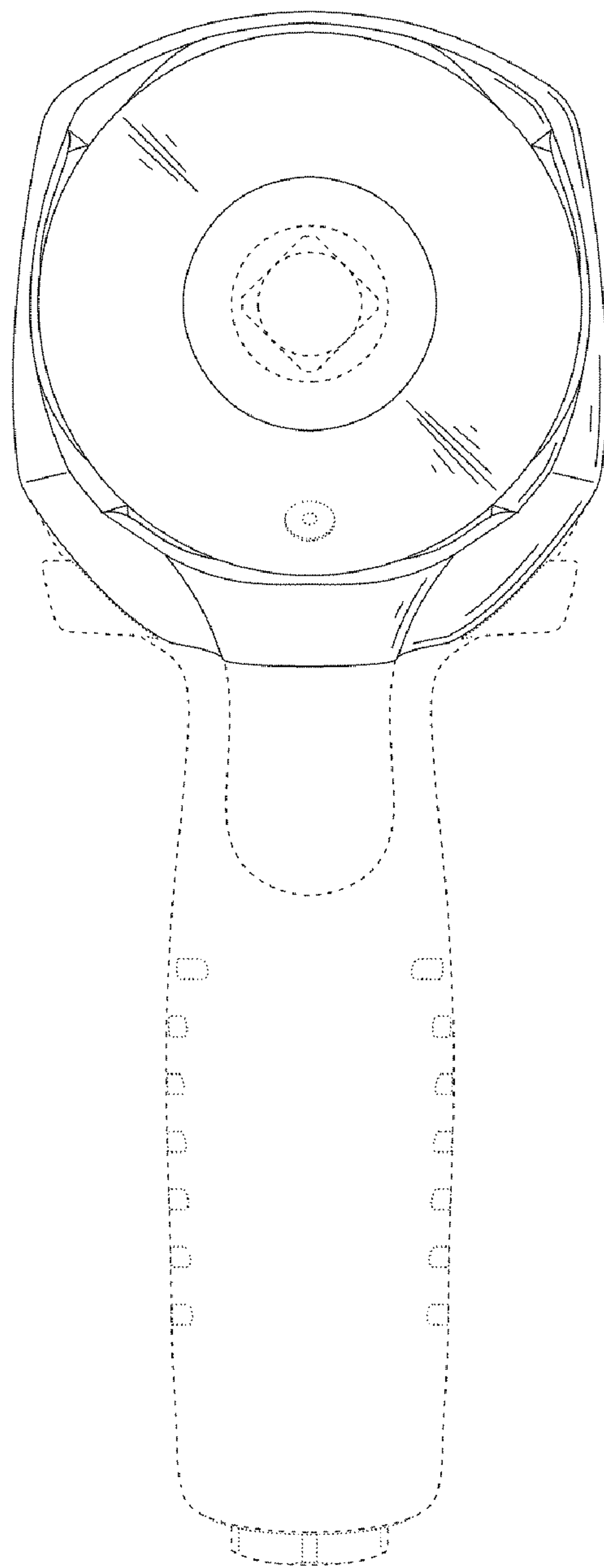




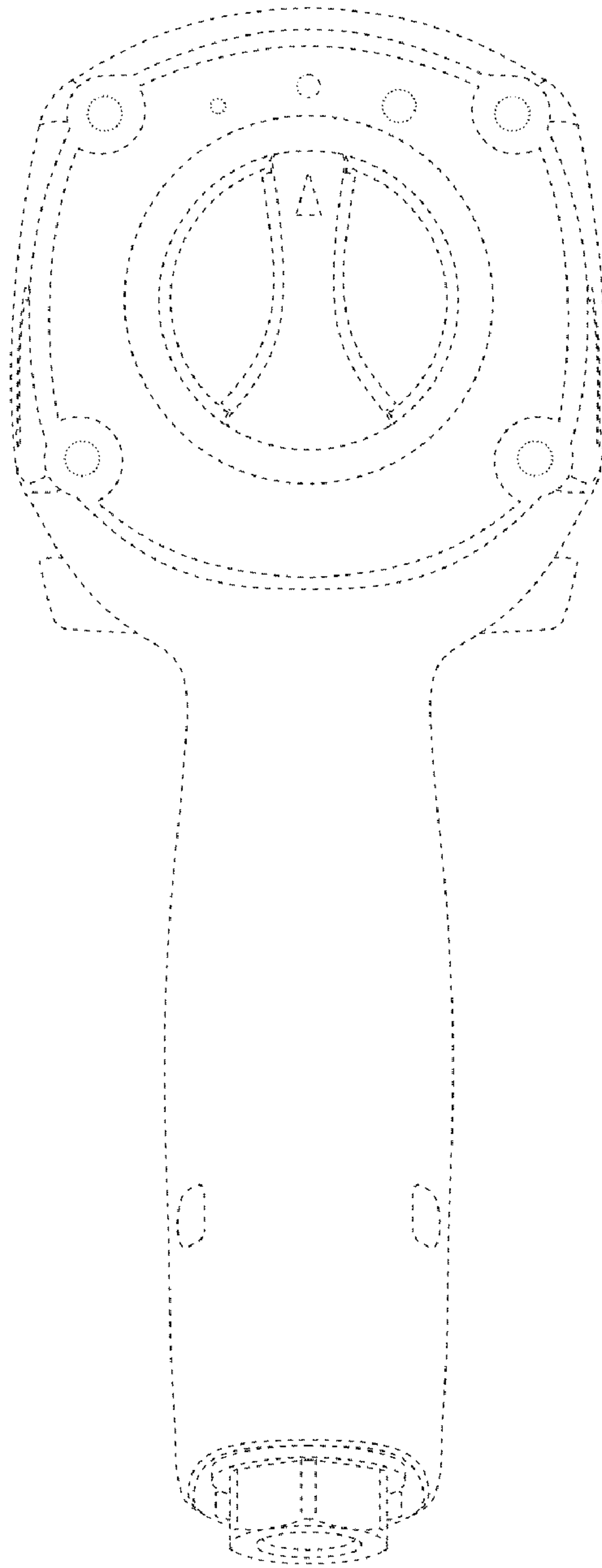
**FIG. 1**



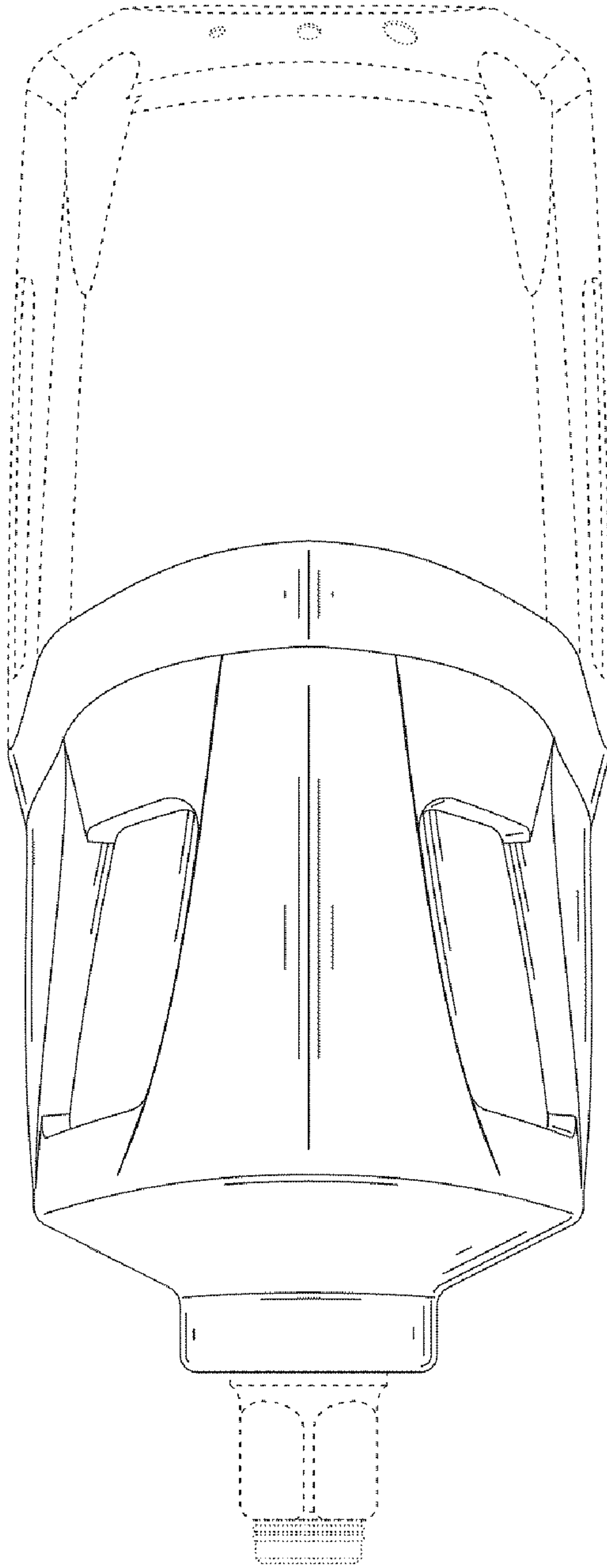
**FIG. 2**



**FIG. 3**

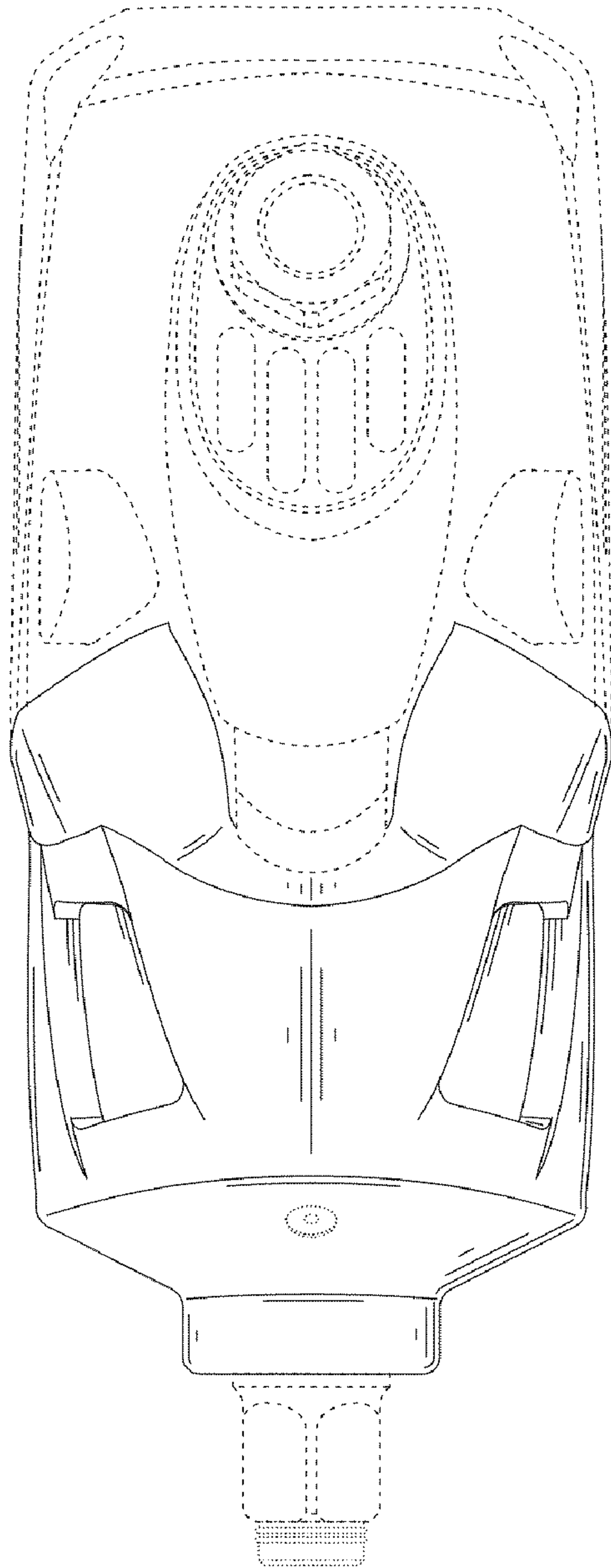


**FIG. 4**



**FIG. 5**





**FIG. 6**