



US00D650254S

(12) **United States Design Patent**
Schoch

(10) **Patent No.:** **US D650,254 S**

(45) **Date of Patent:** **** Dec. 13, 2011**

(54) **OSCILLATING TOOL**

(75) **Inventor:** **Robert B. Schoch**, Baltimore, MD (US)

(73) **Assignee:** **Black & Decker Inc.**, Newark, DE (US)

(**) **Term:** **14 Years**

(21) **Appl. No.:** **29/392,383**

(22) **Filed:** **May 20, 2011**

(51) **LOC (9) Cl.** **08-01**

(52) **U.S. Cl.** **D8/61**

(58) **Field of Classification Search** D8/61,
D8/62, 67, 69; 81/57, 57.11, 57.14, 57.26,
81/429, 464, 469; 173/2, 170, 176, 181
See application file for complete search history.

(56) **References Cited**

U.S. PATENT DOCUMENTS

D487,745 S *	3/2004	Morisawa	D14/408
D490,432 S *	5/2004	Huang	D14/408
D493,173 S *	7/2004	Canavan et al.	D14/408
D504,133 S *	4/2005	Canavan et al.	D14/402
D513,259 S *	12/2005	Chen	D14/408
D549,703 S *	8/2007	Nakata	D14/402
D580,938 S *	11/2008	Simonian et al.	D14/402
D581,416 S *	11/2008	Simonian et al.	D14/402

D591,747 S *	5/2009	Hu et al.	D14/402
D591,748 S *	5/2009	Hu et al.	D14/402
D591,749 S *	5/2009	Huang et al.	D14/407
D593,096 S *	5/2009	Bolotin et al.	D14/402
D629,804 S *	12/2010	Hoehn et al.	D14/408
D630,214 S *	1/2011	Kim et al.	D14/408
D630,218 S *	1/2011	Kujawski et al.	D14/408
D635,571 S *	4/2011	Kujawski et al.	D14/408
D638,427 S *	5/2011	Kujawski et al.	D14/402

* cited by examiner

Primary Examiner — Austin Murphy

(74) *Attorney, Agent, or Firm* — Bruce S. Shapiro; John Yun; Stephen Valancius

(57) **CLAIM**

The ornamental design for an oscillating tool, as shown and described.

DESCRIPTION

FIG. 1 is a left/front perspective view of an oscillating tool.

FIG. 2 is a front view thereof.

FIG. 3 is a rear view thereof.

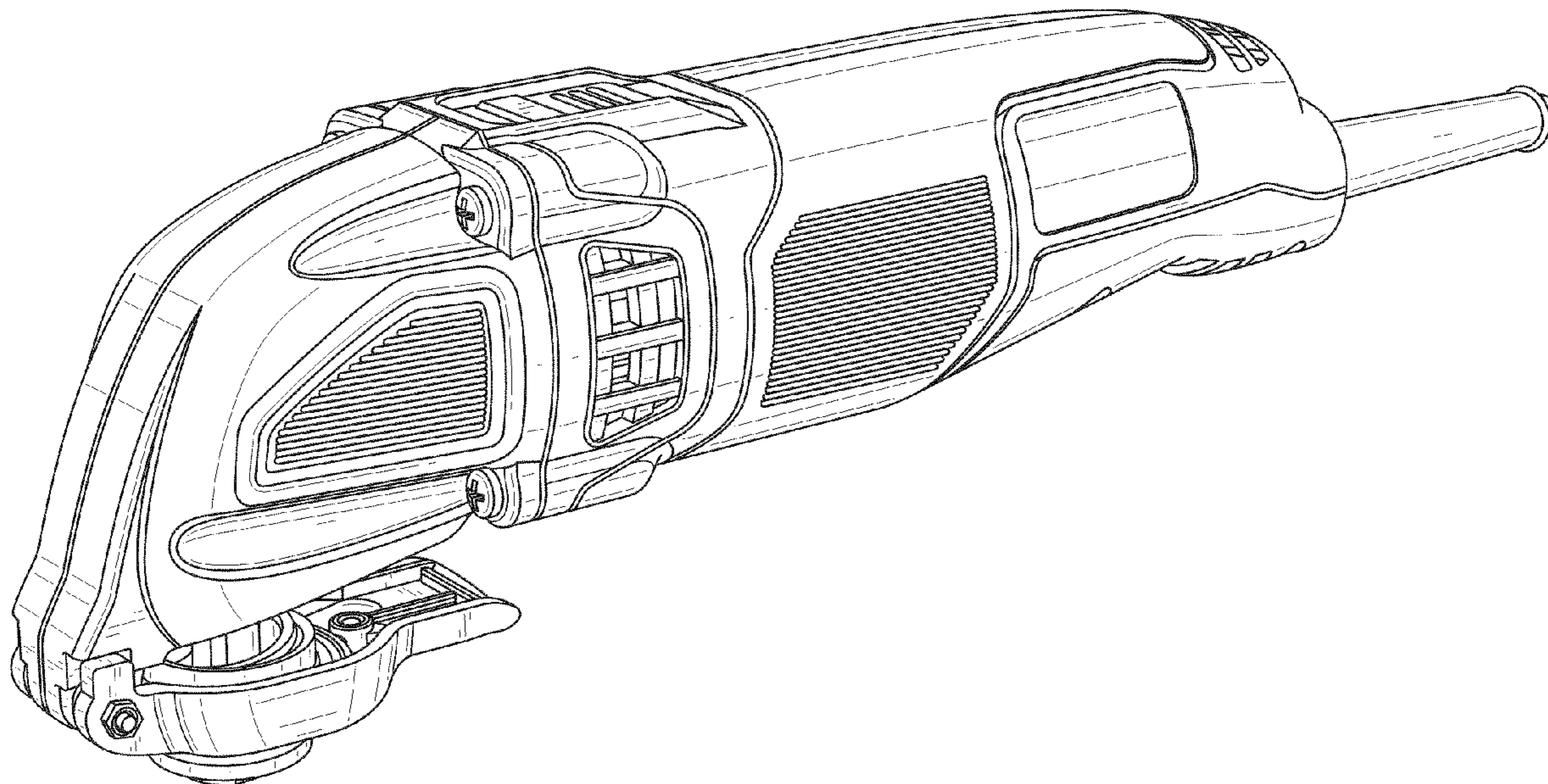
FIG. 4 is a right side view thereof.

FIG. 5 is a left side view thereof.

FIG. 6 is a top view thereof; and,

FIG. 7 is a bottom view thereof.

1 Claim, 6 Drawing Sheets



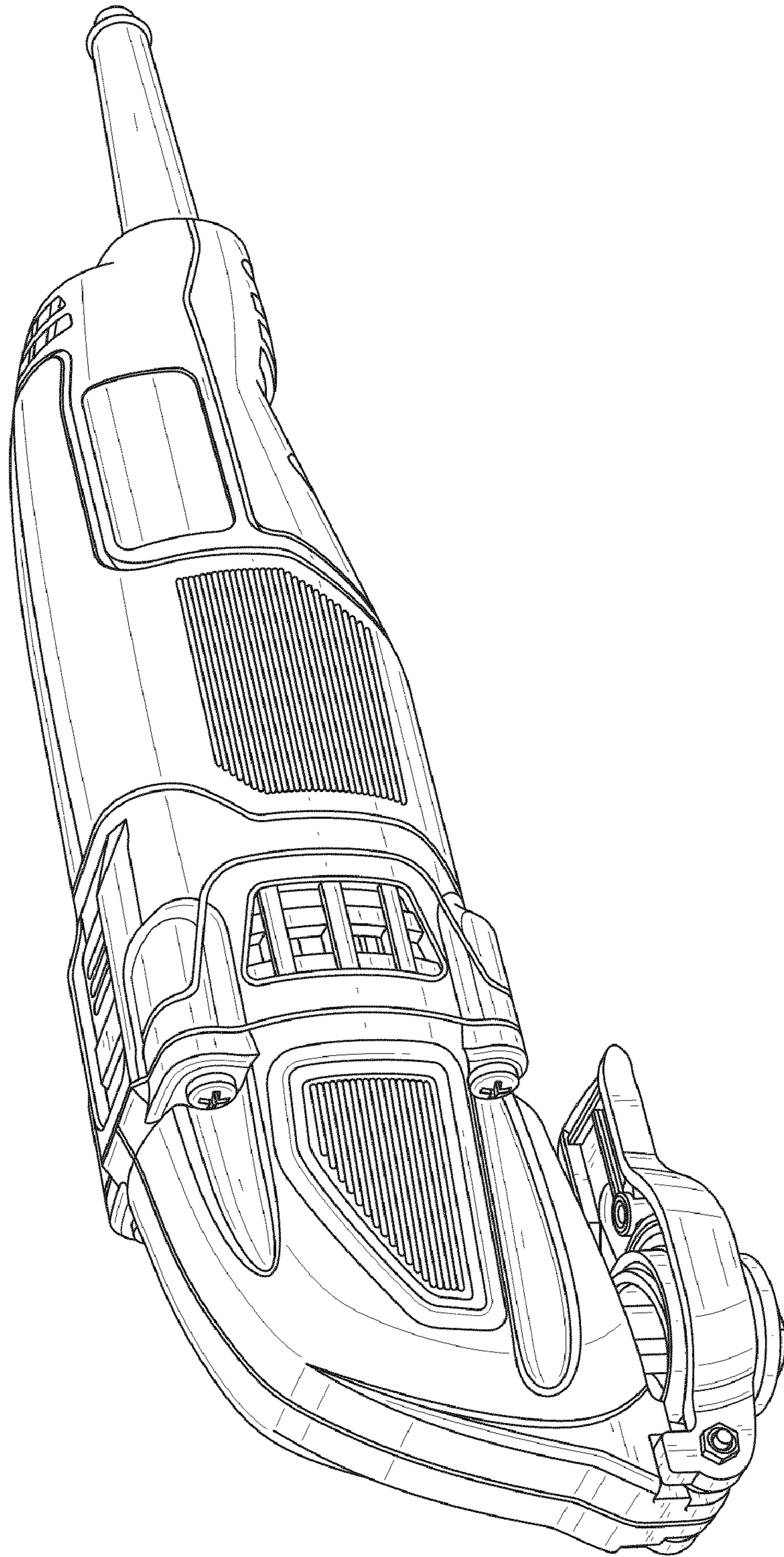


FIG. 1

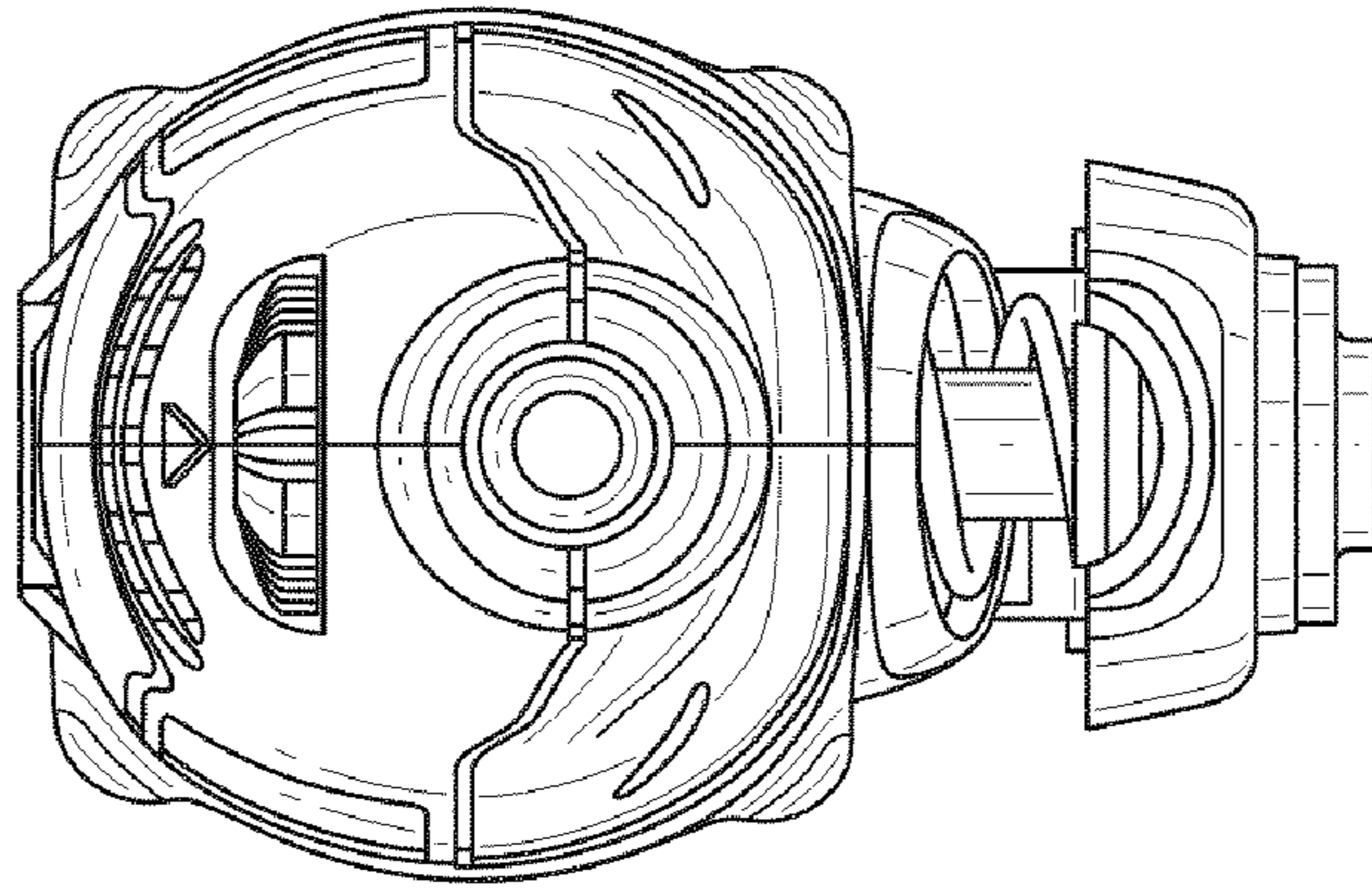


FIG. 3

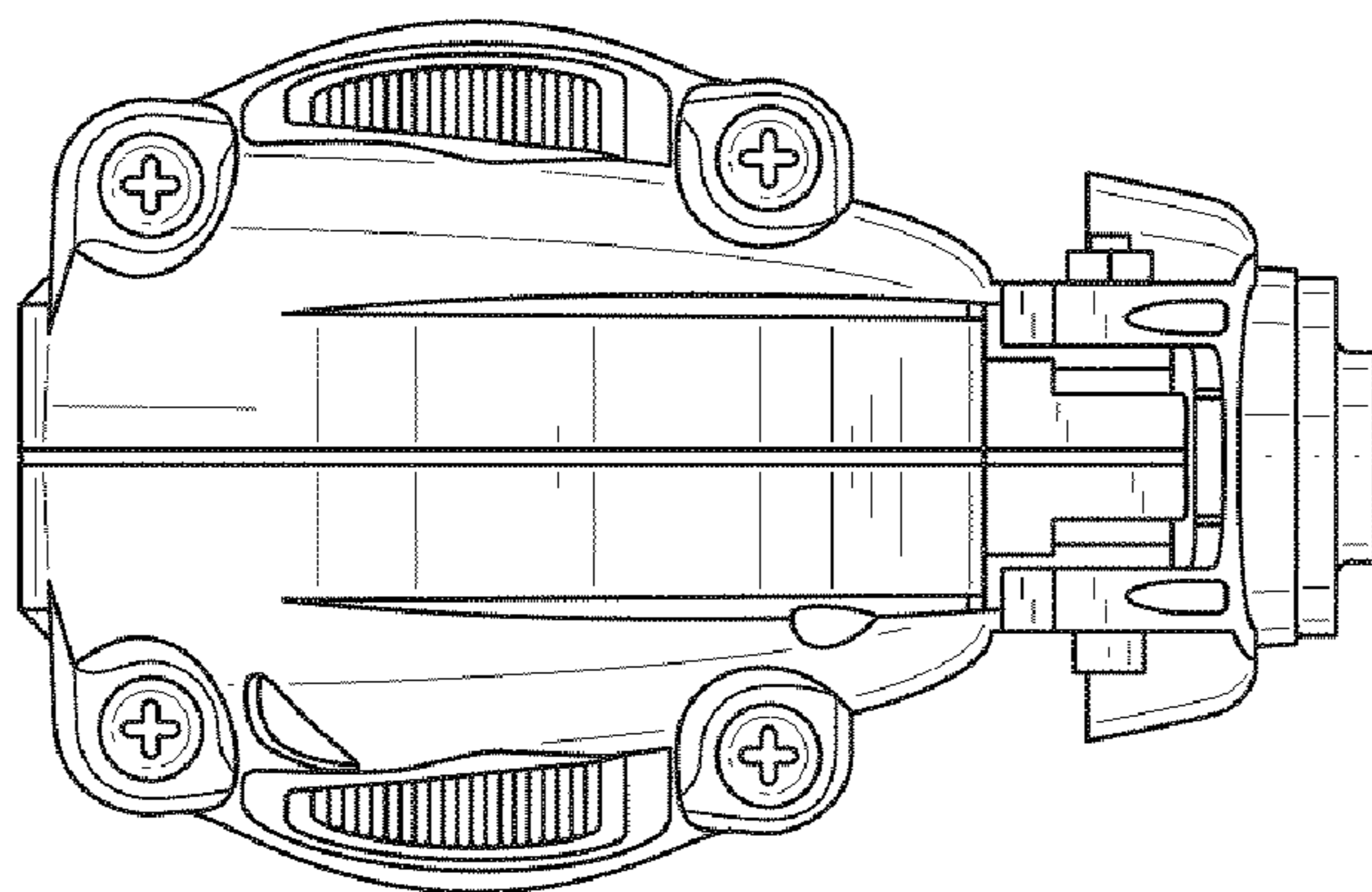


FIG. 2

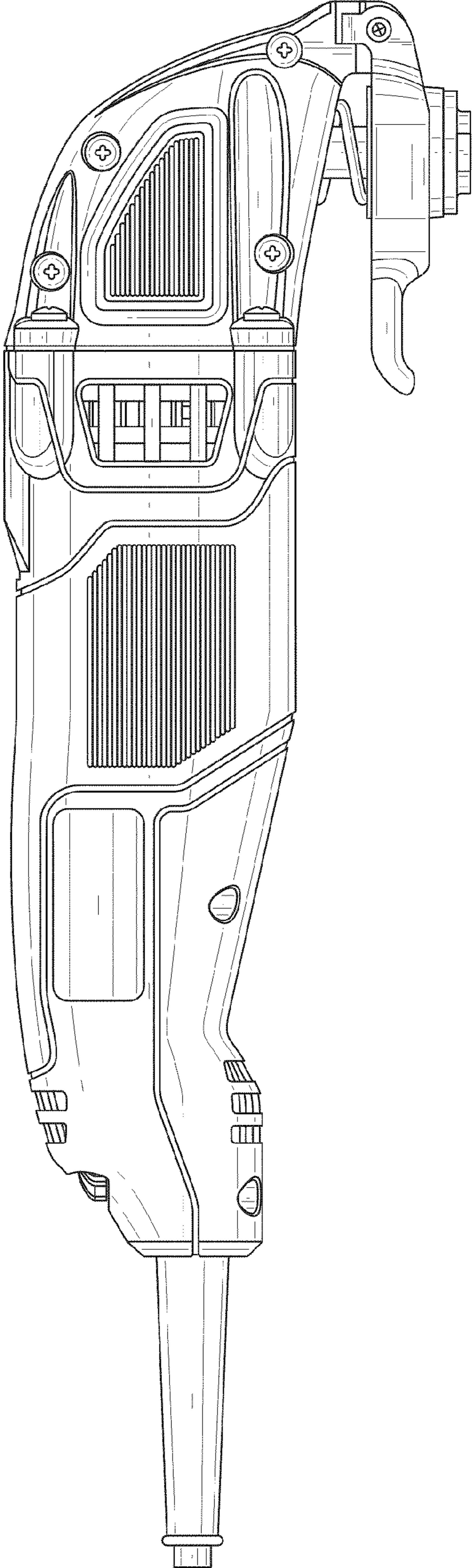


FIG. 4

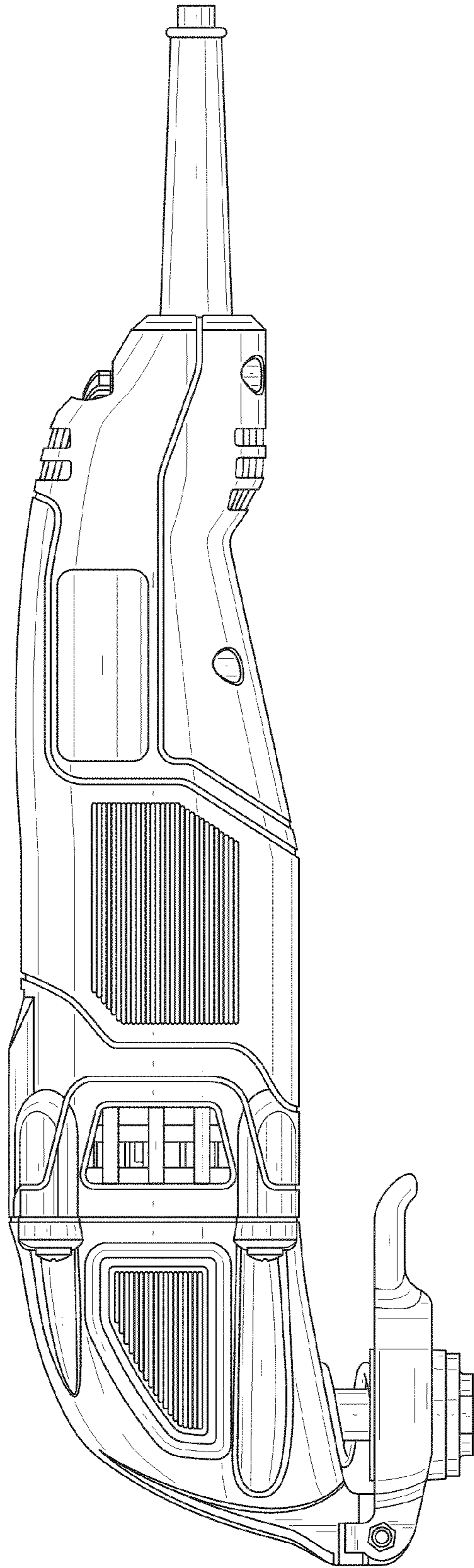


FIG. 5

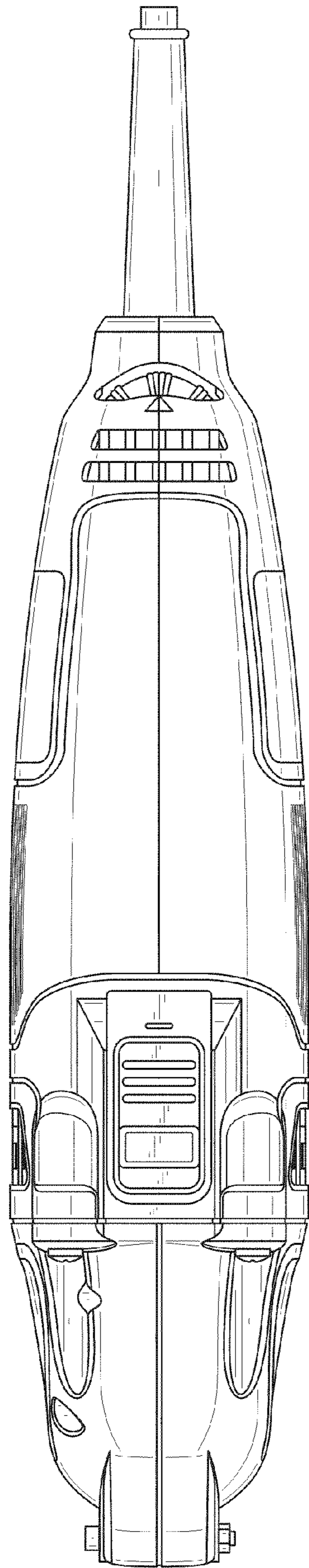


FIG. 6

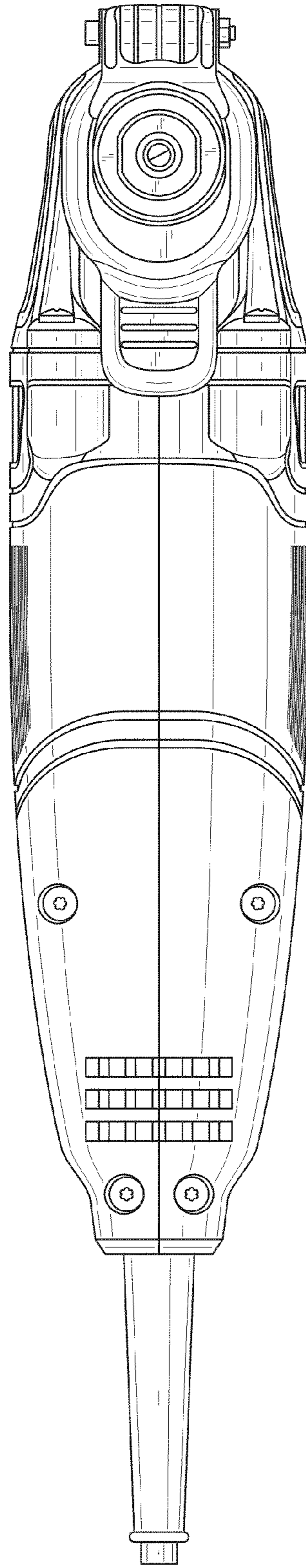


FIG. 7