



US00D650253S

(12) **United States Design Patent**
Liu

(10) **Patent No.:** **US D650,253 S**

(45) **Date of Patent:** **** Dec. 13, 2011**

(54) **PLIERS**

(75) **Inventor:** **Lai-Cheng Liu**, Taichung County (TW)

(73) **Assignee:** **Cosda Manufacturing Company**,
Taiping, Taichung County (TW)

(**) **Term:** **14 Years**

(21) **Appl. No.:** **29/383,551**

(22) **Filed:** **Jan. 19, 2011**

(51) **LOC (9) Cl.** **08-05**

(52) **U.S. Cl.** **D8/52**

(58) **Field of Classification Search** D8/58,
D8/57, 56, 55, 54, 52, 50, 4, 22, 20, 18, 107,
D8/105, 104; D24/153, 143; D22/150, 149;
D21/532; 81/302-304, 319, 320, 335, 336,
81/339-344, 368-370, 411; 72/409.01-409.04;
7/107, 127-134; 29/229, 268; 140/118,
140/119

See application file for complete search history.

(56) **References Cited**

U.S. PATENT DOCUMENTS

2,452,857	A *	11/1948	Mesaros	29/223
2,488,484	A *	11/1949	Vander Clute	81/421
2,814,963	A *	12/1957	Harrington	294/118
3,017,692	A *	1/1962	Burnell	29/229
3,296,696	A *	1/1967	Kamla	30/450
3,455,011	A *	7/1969	Harding	29/235
3,797,092	A *	3/1974	Einarson	29/741
4,238,123	A *	12/1980	Bardes	269/41
4,355,574	A *	10/1982	Bond et al.	100/234
4,571,824	A *	2/1986	Ingaglio	29/764

4,729,150	A *	3/1988	Breaux et al.	452/105
D323,772	S *	2/1992	Sage	D8/51
D350,465	S *	9/1994	Walsky	D8/52
D371,287	S *	7/1996	Gilbert, Jr.	D8/52
5,590,590	A *	1/1997	Zammit	99/495
5,793,018	A *	8/1998	Jett	219/225
6,336,386	B1 *	1/2002	Lee	81/328
D491,433	S *	6/2004	Noniewicz	D8/52
D572,552	S *	7/2008	Feliciano	D8/52

* cited by examiner

Primary Examiner — Austin Murphy

(74) *Attorney, Agent, or Firm* — Muncy, Geissler, Olds & Lowe, PLLC

(57) **CLAIM**

I claim the ornamental design for pliers, as shown and described.

DESCRIPTION

FIG. 1 is a perspective view of the pliers showing my new design;

FIG. 2 is a front view thereof;

FIG. 3 is a rear view thereof;

FIG. 4 is a left view thereof;

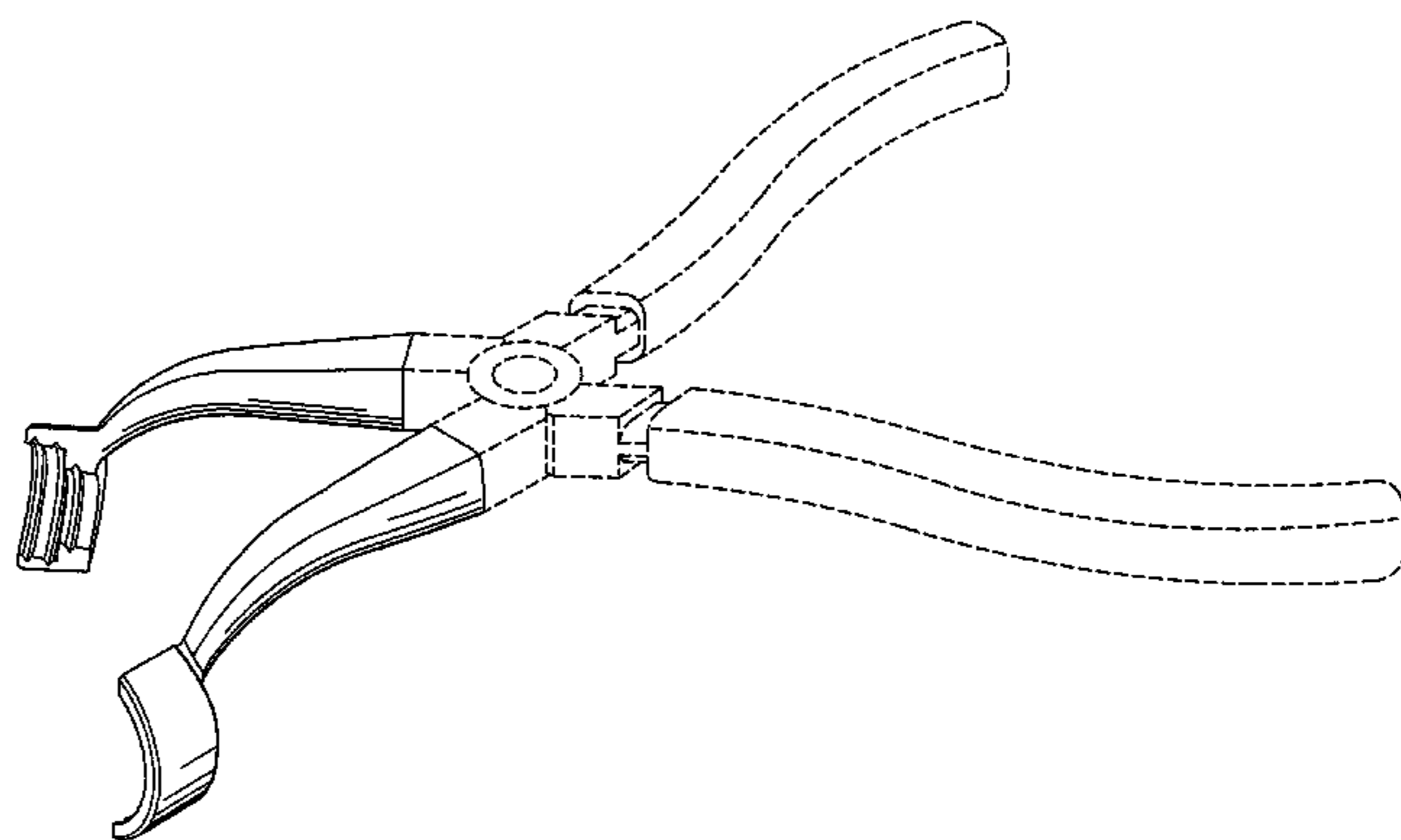
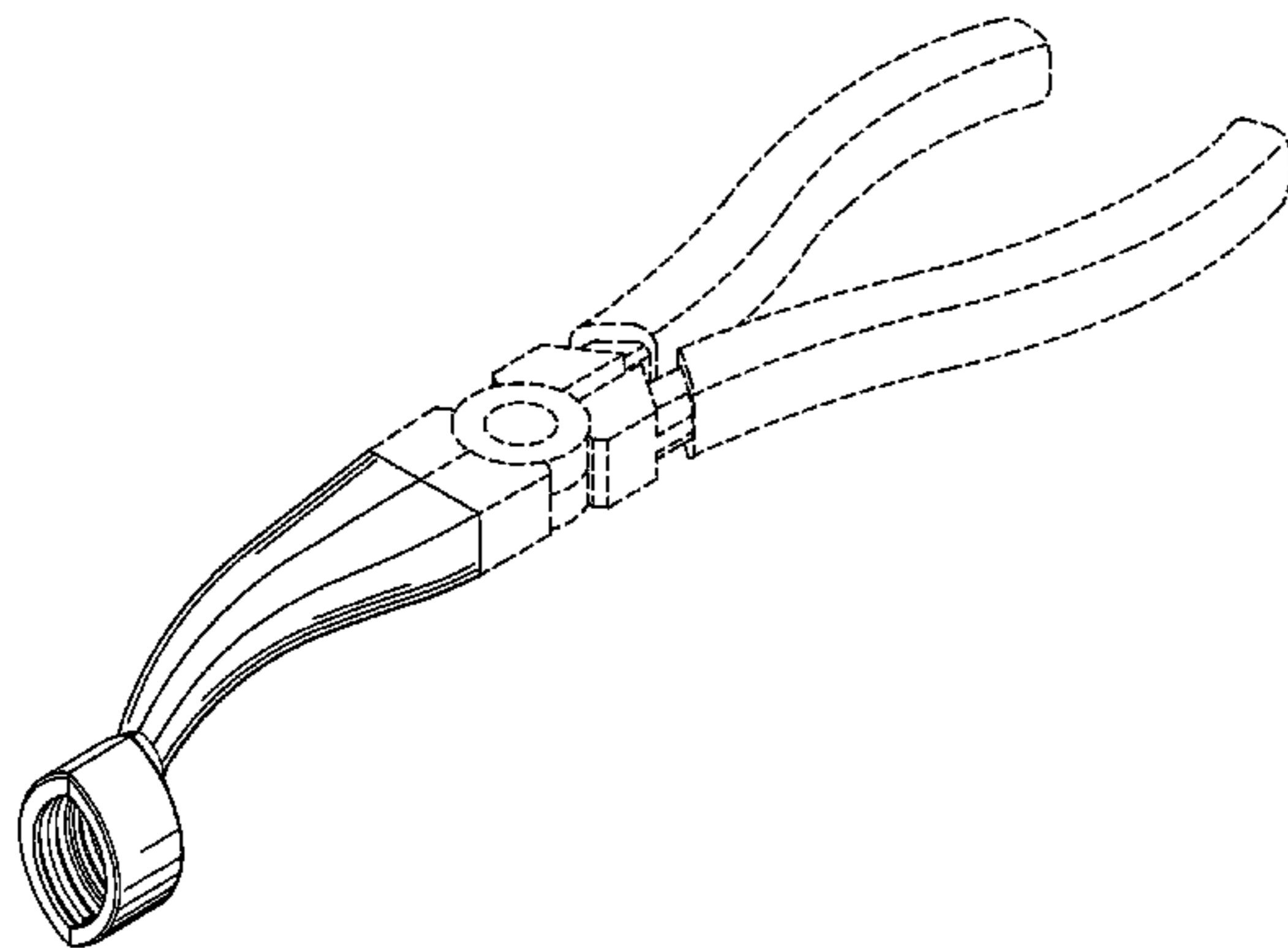
FIG. 5 is a right view thereof;

FIG. 6 is a top plan view thereof;

FIG. 7 is a bottom plan view thereof; and,

FIG. 8 is an embodiment, perspective view of my design for the pliers in use. The handles, pivot and arm roots of the pliers are shown in broken lines for illustrative purposes only and form no part of the claimed design.

1 Claim, 6 Drawing Sheets



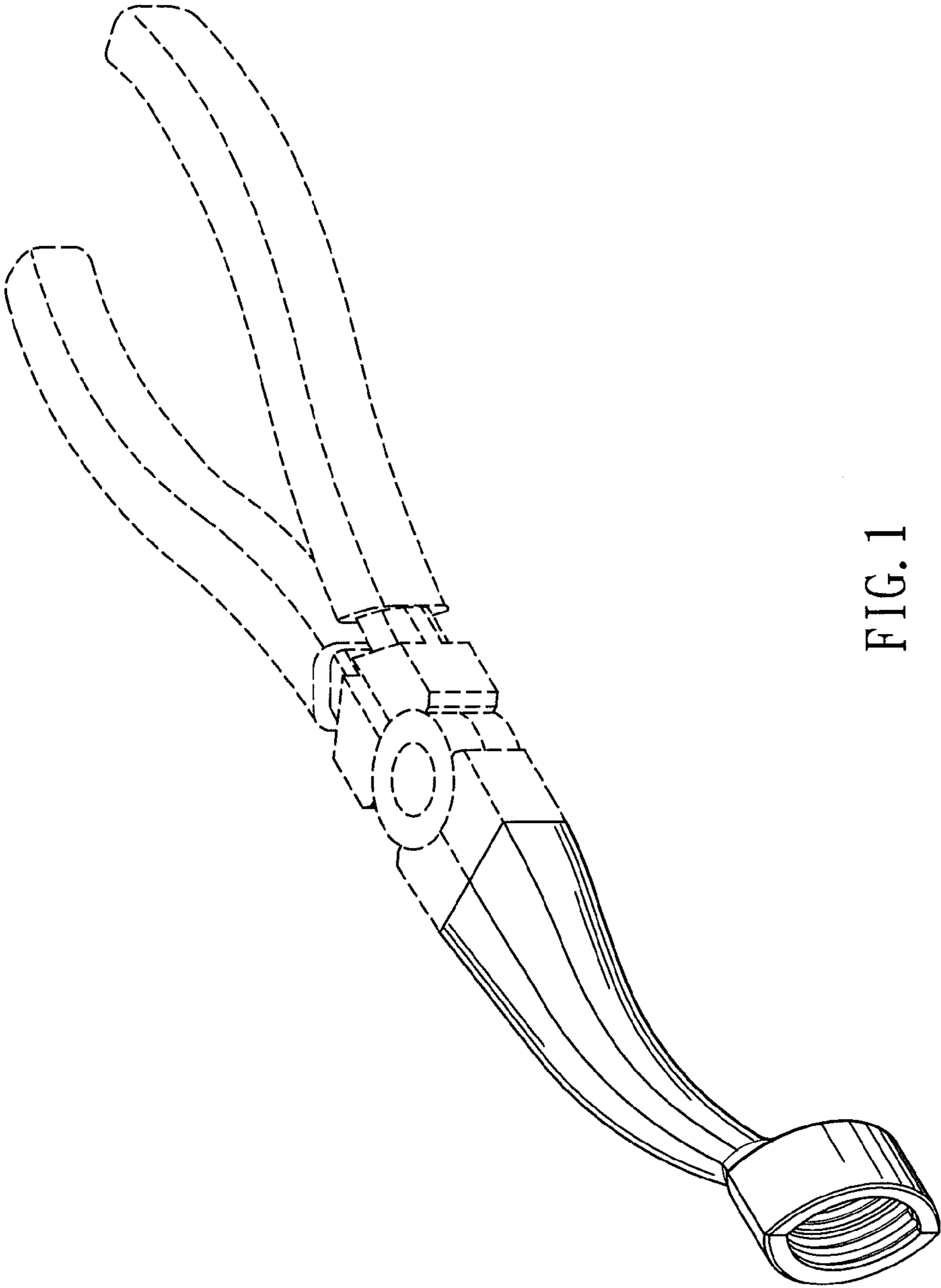


FIG. 1

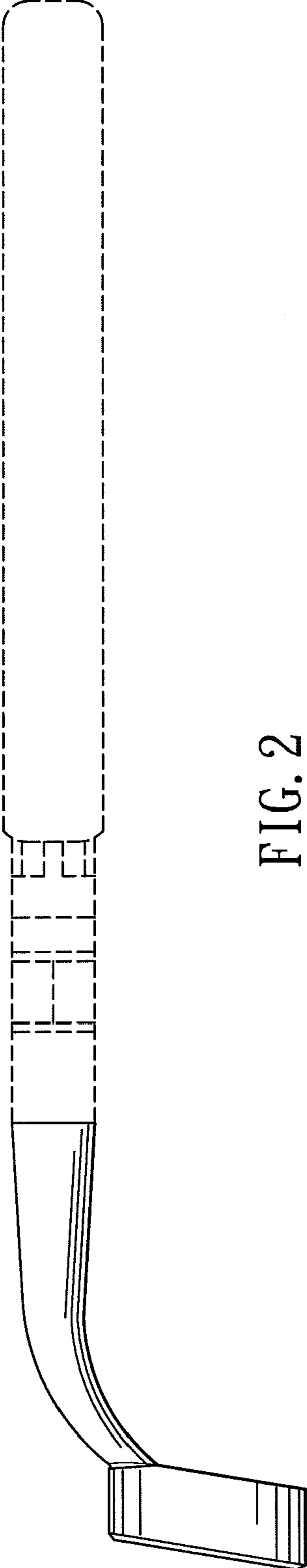


FIG. 2

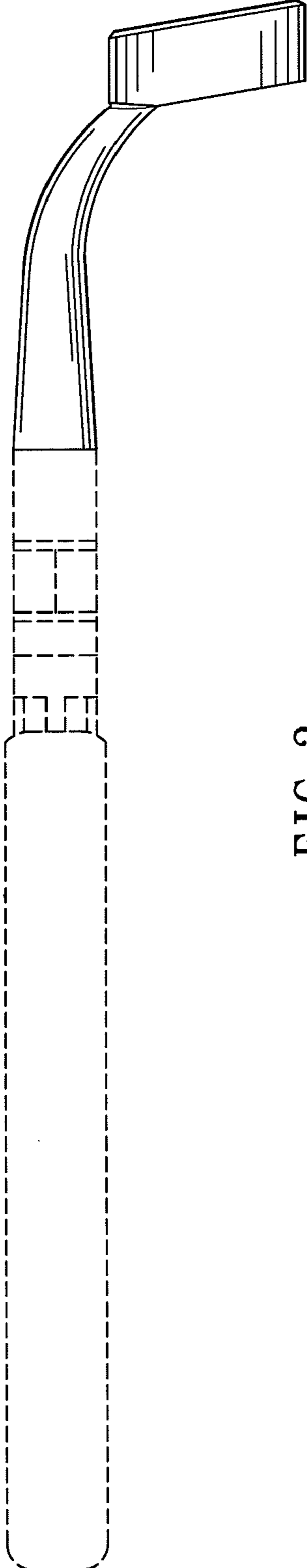


FIG. 3

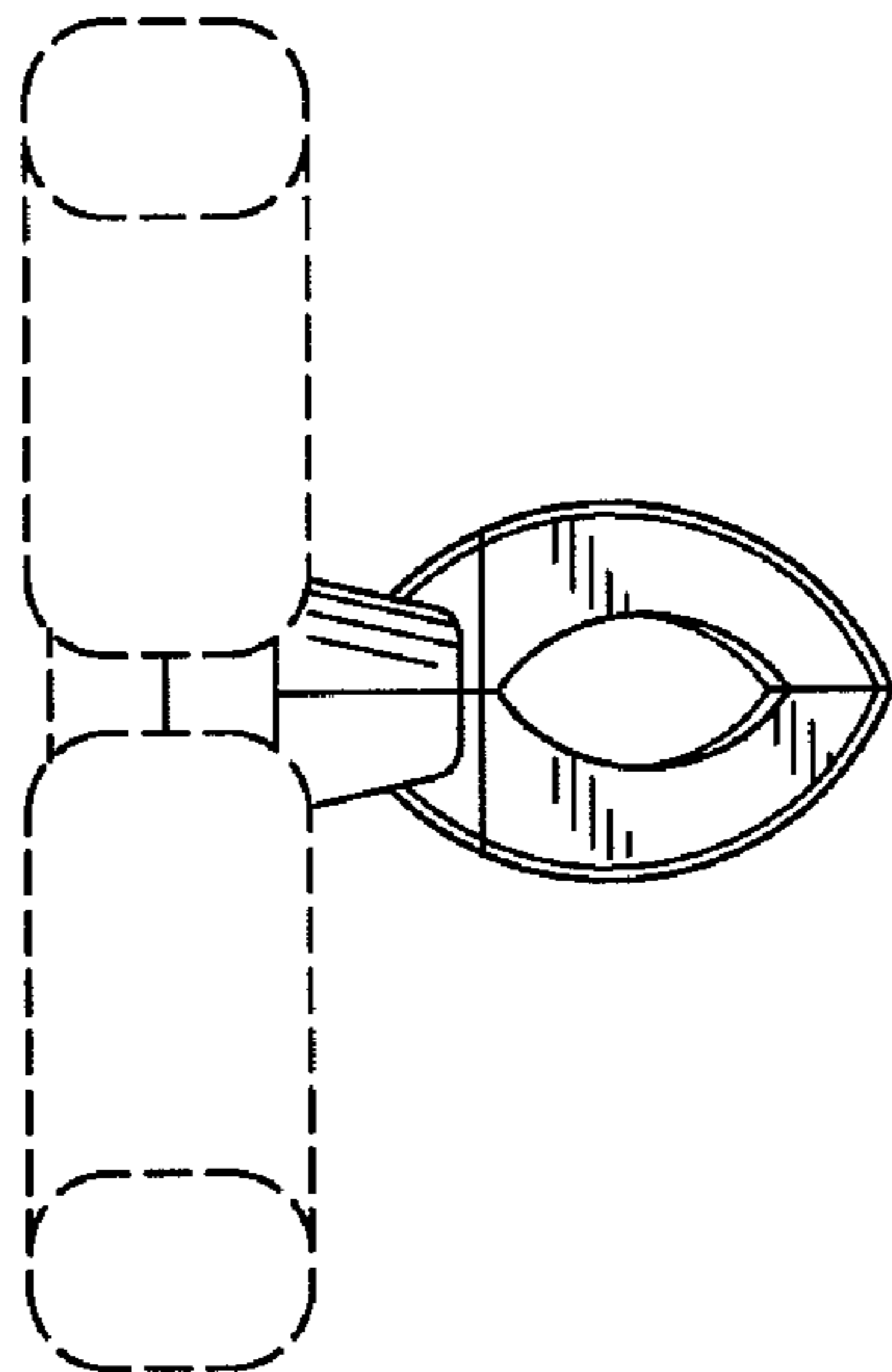


FIG. 5

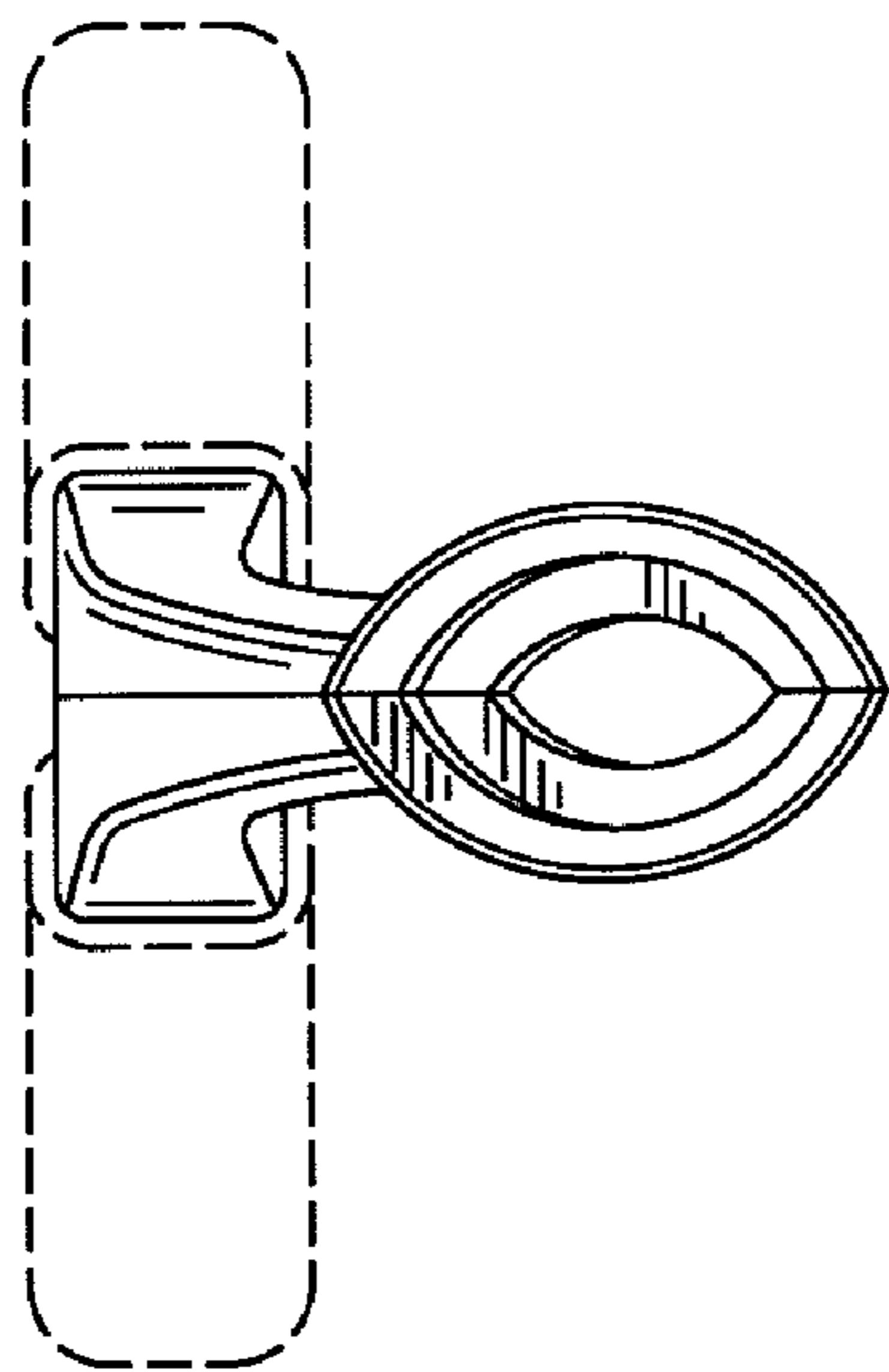


FIG. 4

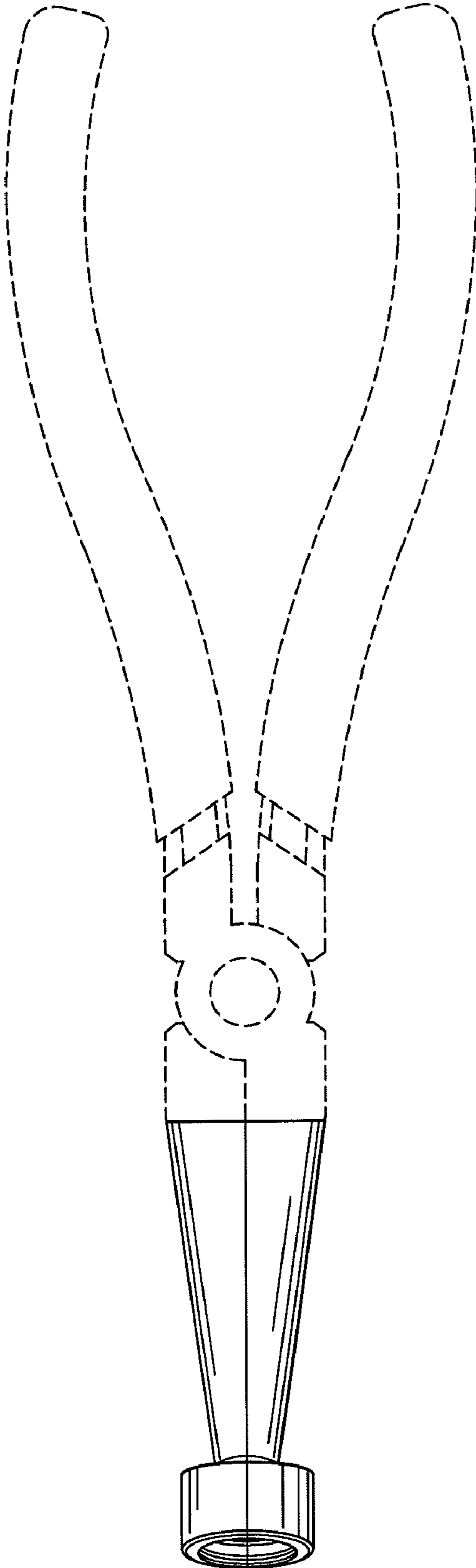


FIG. 6

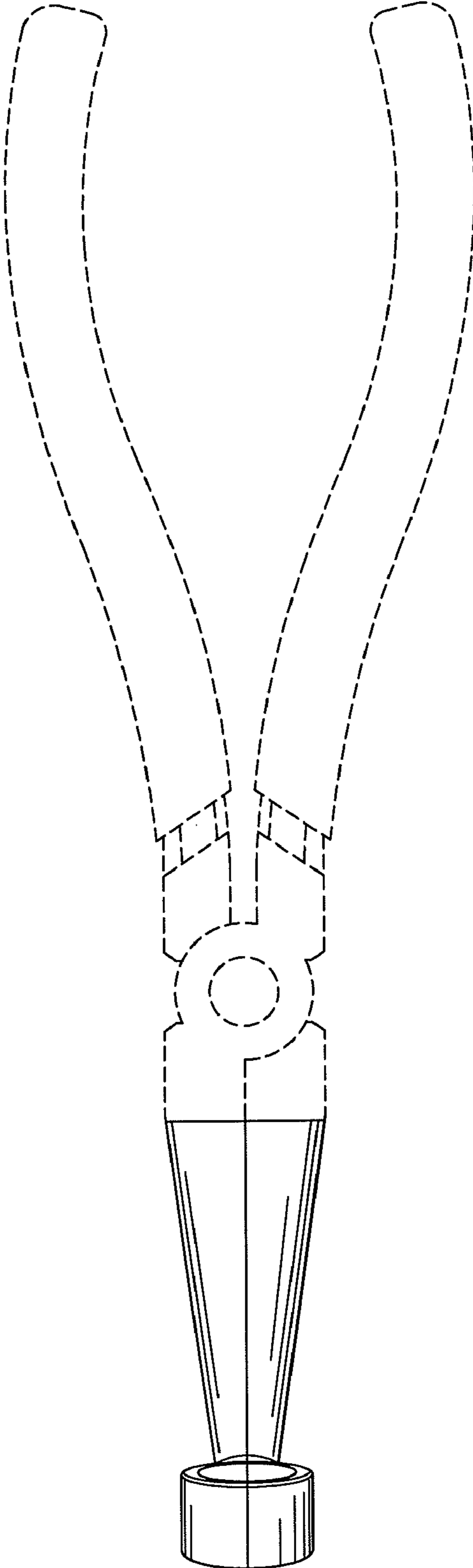


FIG. 7

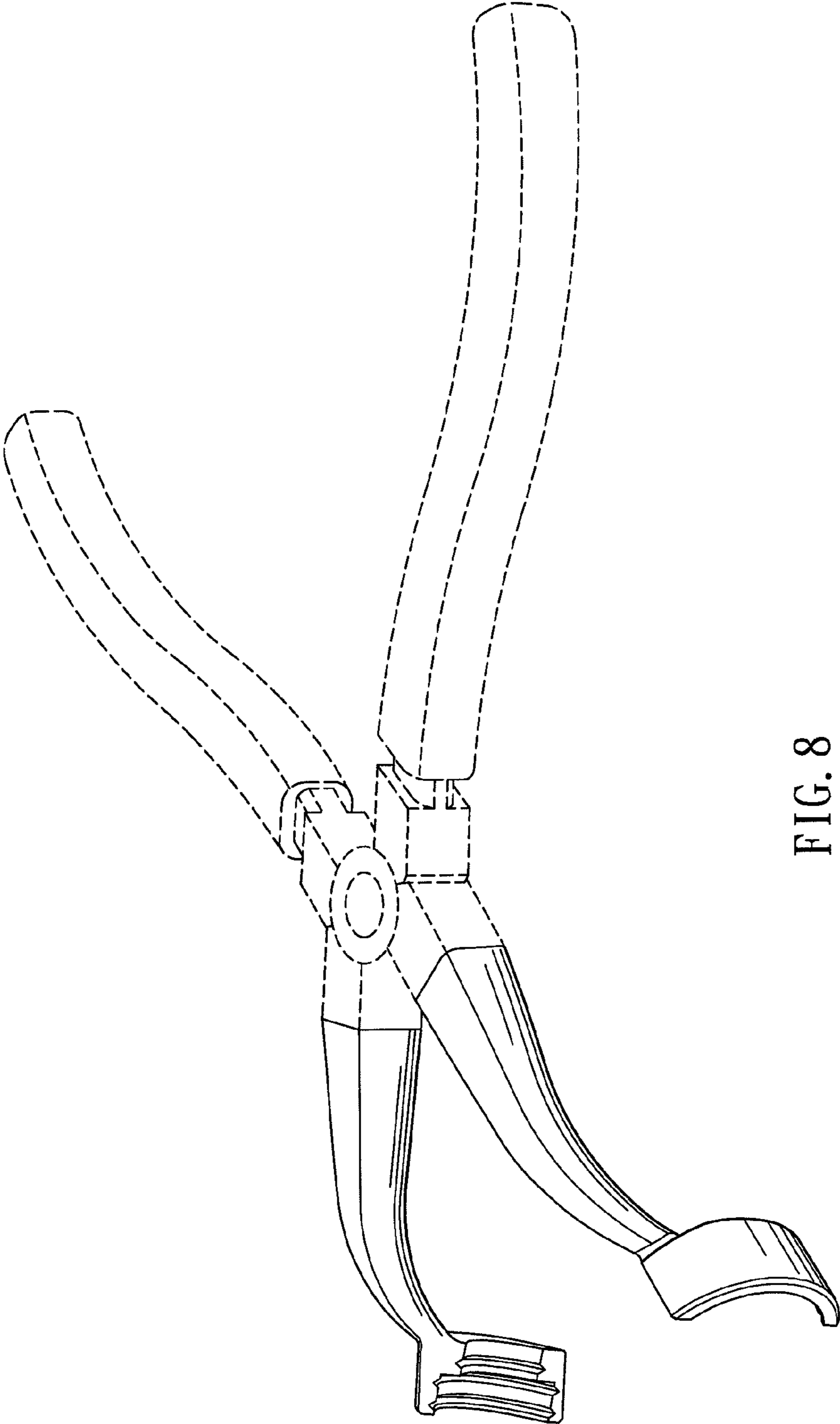


FIG. 8