



US00D650248S

(12) **United States Design Patent**  
**Letellier et al.**

(10) **Patent No.:** **US D650,248 S**

(45) **Date of Patent:** **\*\* Dec. 13, 2011**

(54) **WINE BOTTLE RACK**

(76) Inventors: **Denis Letellier**, Rosemere (CA);  
**Sylvain Ouellette**, Rosemere (CA)

(\*\*) Term: **14 Years**

(21) Appl. No.: **29/381,342**

(22) Filed: **Dec. 17, 2010**

(51) **LOC (9) Cl.** ..... **06-04**

(52) **U.S. Cl.** ..... **D7/707**

(58) **Field of Classification Search** ..... D7/701-708;  
D6/467-469, 570, 552, 553; 211/74, 75,  
211/87.01, 196; 248/146, 158, 174, 188.1;  
40/607.1

See application file for complete search history.

(56) **References Cited**

**U.S. PATENT DOCUMENTS**

1,266,749	A *	5/1918	Abbott	.....	211/205
3,026,641	A *	3/1962	Keats	.....	40/607.1
3,119,588	A *	1/1964	Keats	.....	248/158
3,901,389	A *	8/1975	Belokin, Jr.	.....	211/74
4,496,124	A *	1/1985	Cole	.....	248/146

D418,724	S *	1/2000	Williams	.....	D7/708
D533,413	S *	12/2006	Wax	.....	D7/701
D575,599	S *	8/2008	Ignozzi	.....	D7/701
D583,636	S *	12/2008	Rogers	.....	D7/702
D628,451	S	12/2010	Nodolf		

\* cited by examiner

*Primary Examiner* — Terry Wallace

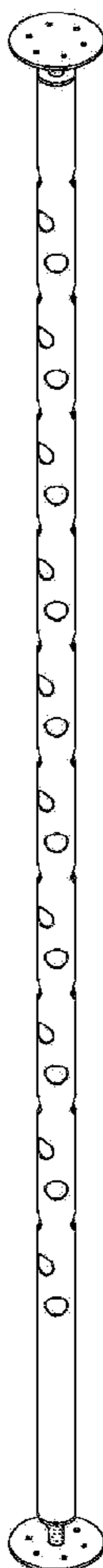
(57) **CLAIM**

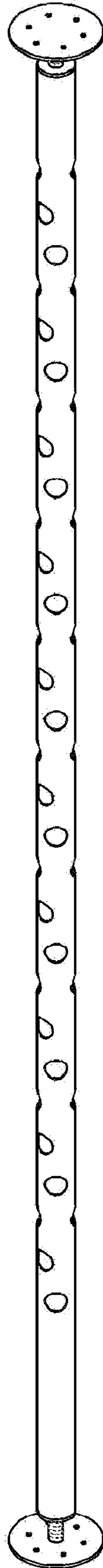
The ornamental design for a wine bottle rack, as shown and described.

**DESCRIPTION**

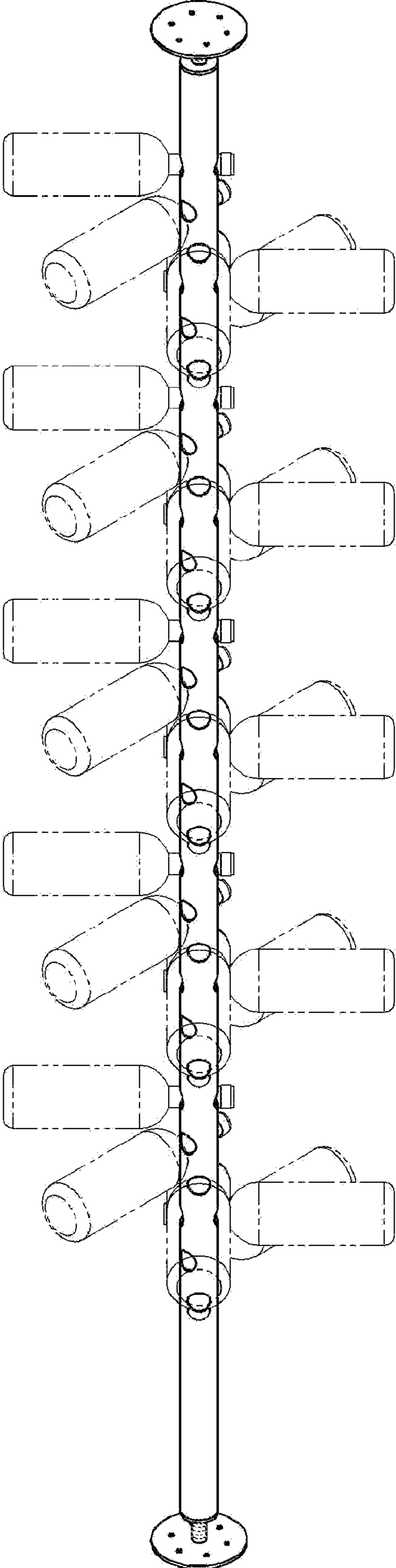
FIG. 1 is an isometric view.  
 FIG. 2 is an isometric view showing the arrangement of wine bottles in context of use, the stippled lines forming no part of the design.  
 FIG. 3 is a side view.  
 FIG. 4 is a front view.  
 FIG. 5 is a top plan view.  
 FIG. 6 is a side view detail of the upper part.  
 FIG. 7 is a side view detail of the bottom part; and,  
 FIG. 8 is a bottom plan view.

**1 Claim, 4 Drawing Sheets**



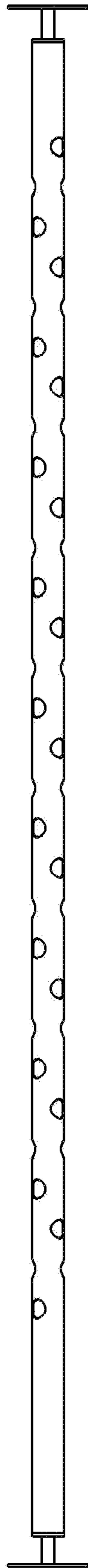


**FIG. 1**

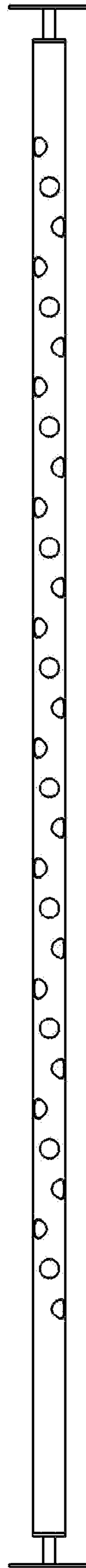


**FIG. 2**

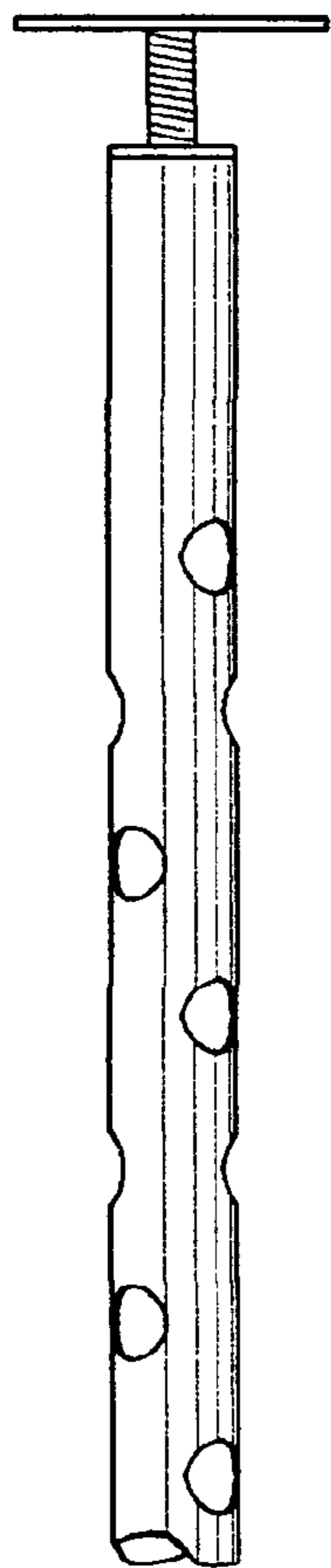
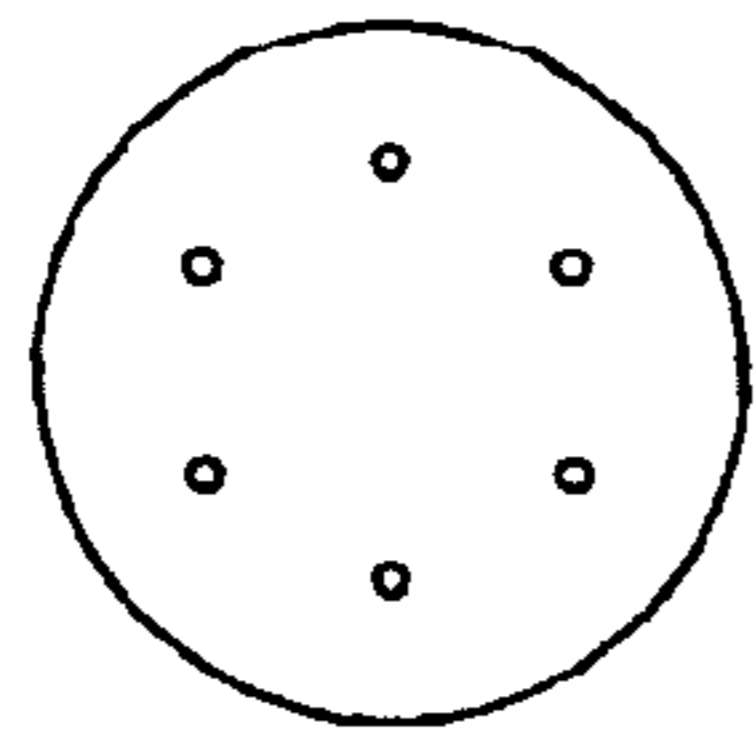
**FIG. 3**



**FIG. 4**

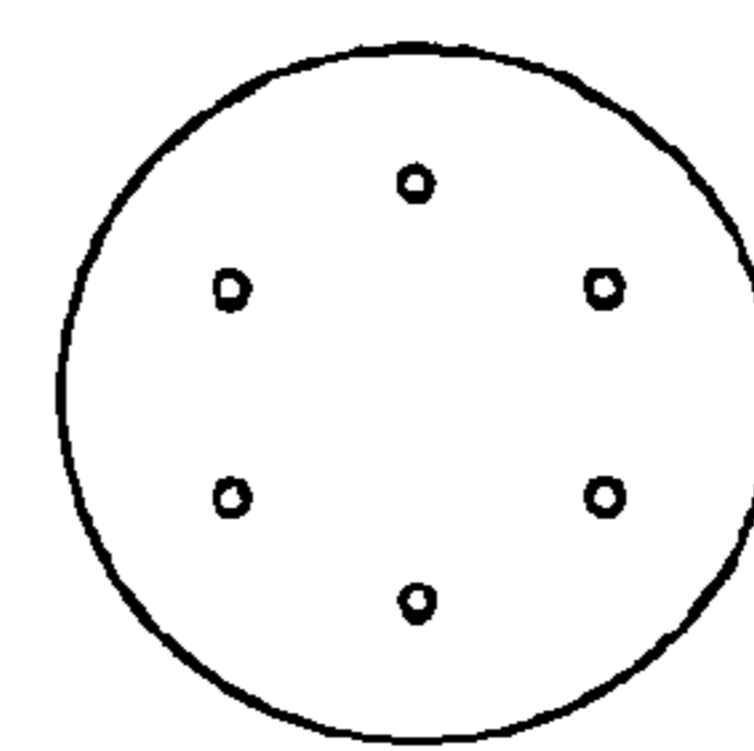
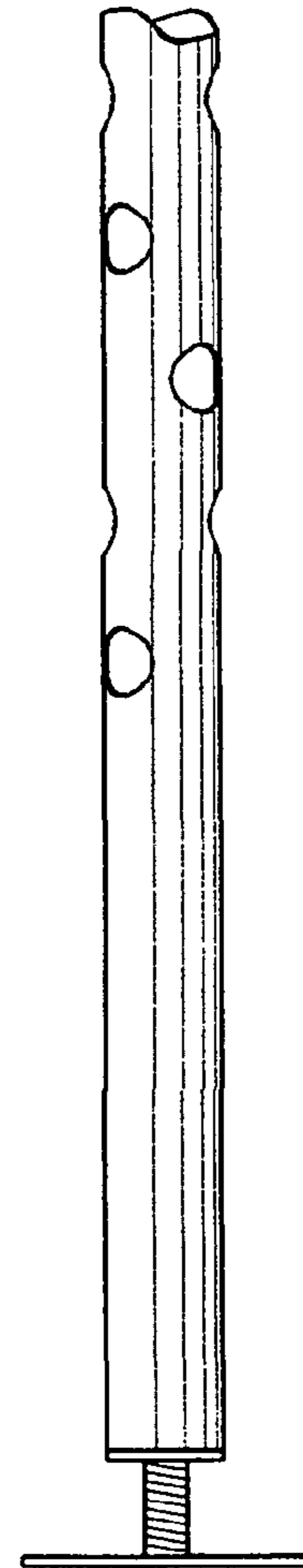


**FIG. 5**



**FIG. 6**

**FIG. 7**



**FIG. 8**