



US00D650235S

(12) **United States Design Patent**  
**Eyal**

(10) **Patent No.:** **US D650,235 S**

(45) **Date of Patent:** **\*\* Dec. 13, 2011**

(54) **BEVERAGE CONTAINER**

(76) Inventor: **Sharon Eyal**, Oxnard, CA (US)

(\*\*) Term: **14 Years**

(21) Appl. No.: **29/390,524**

(22) Filed: **Apr. 26, 2011**

(51) **LOC (9) Cl.** ..... **07-01**

(52) **U.S. Cl.** ..... **D7/510**

(58) **Field of Classification Search** ..... D7/510,  
D7/511, 500, 532, 900; 215/121, 382, 388,  
215/387; 220/674, 715, 713, 718, 592.16,  
220/592.17, 709, 708; D9/551, 529  
See application file for complete search history.

(56) **References Cited**

**U.S. PATENT DOCUMENTS**

D437,185 S *	2/2001	Freed	.....	D7/510
D453,446 S *	2/2002	Bodum	.....	D7/510
D458,081 S *	6/2002	Bodum	.....	D7/510
D462,576 S *	9/2002	Janky	.....	D7/510
D546,184 S *	7/2007	Yelland	.....	D9/502
D572,083 S *	7/2008	Tien	.....	D7/510
D579,720 S *	11/2008	Rohe	.....	D7/510

D584,947 S *	1/2009	Bourne	.....	D9/502
D599,621 S *	9/2009	Poindexter et al.	.....	D7/536
D639,114 S *	6/2011	Swinford et al.	.....	D7/532

\* cited by examiner

*Primary Examiner* — Cynthia Underwood

(74) *Attorney, Agent, or Firm* — Kleinberg & Lerner, LLP;  
Marvin H. Kleinberg

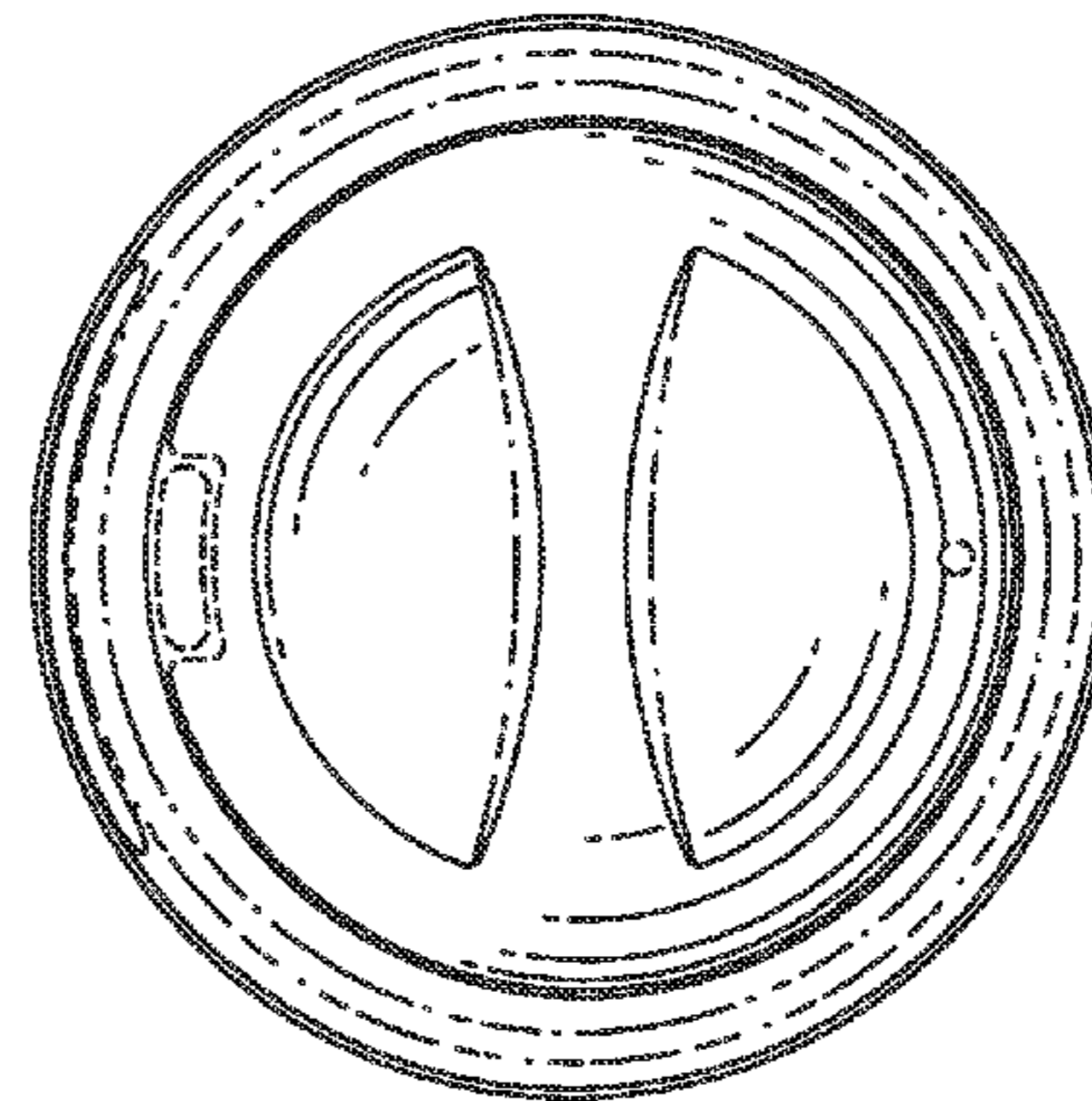
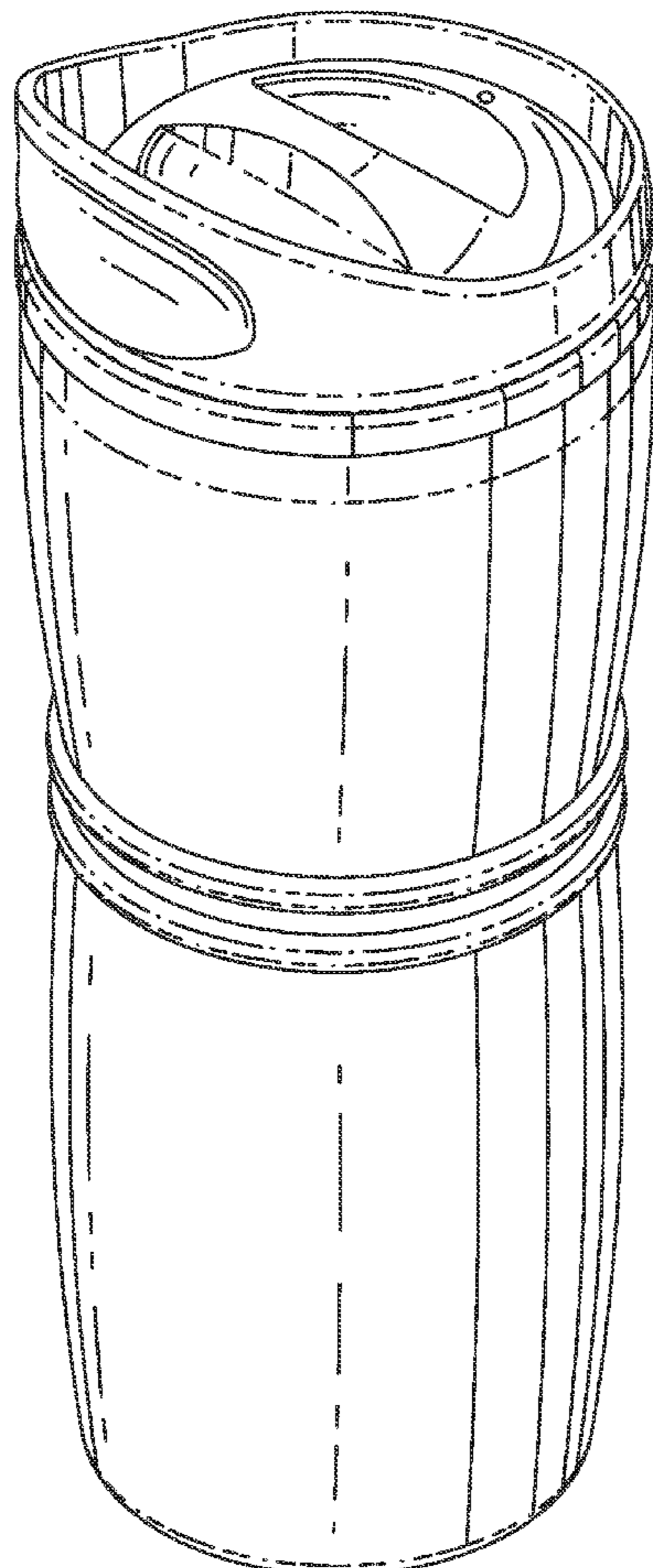
(57) **CLAIM**

The ornamental design for a beverage container, as shown and described.

**DESCRIPTION**

FIG. 1 is a perspective view of a beverage container showing my new design;  
FIG. 2 is a frontal view thereof;  
FIG. 3 is a right side view of the beverage container of FIG. 1, the left side being a mirror image;  
FIG. 4 is a rear view thereof;  
FIG. 5 is a top view thereof; and,  
FIG. 6 is a bottom view thereof.  
The broken lines represent portions of the structure that form no part of the claim.

**1 Claim, 5 Drawing Sheets**



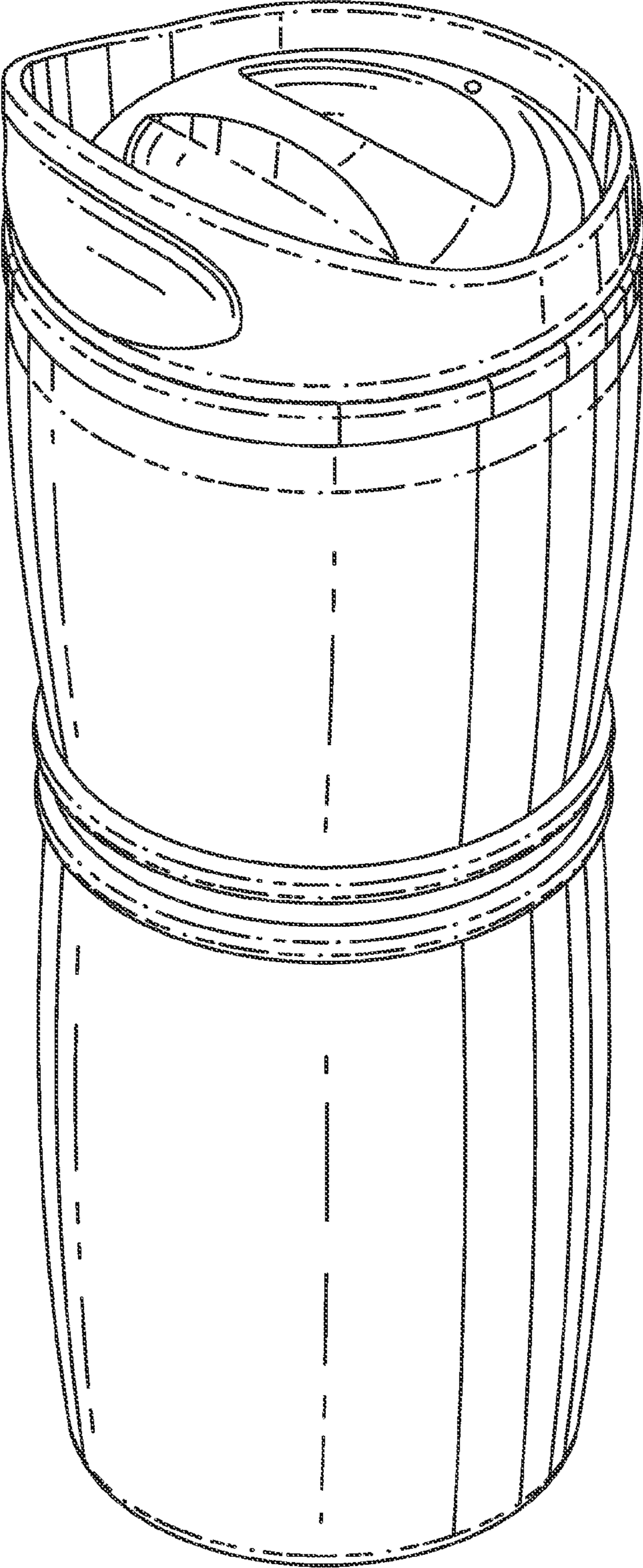


FIG. 1

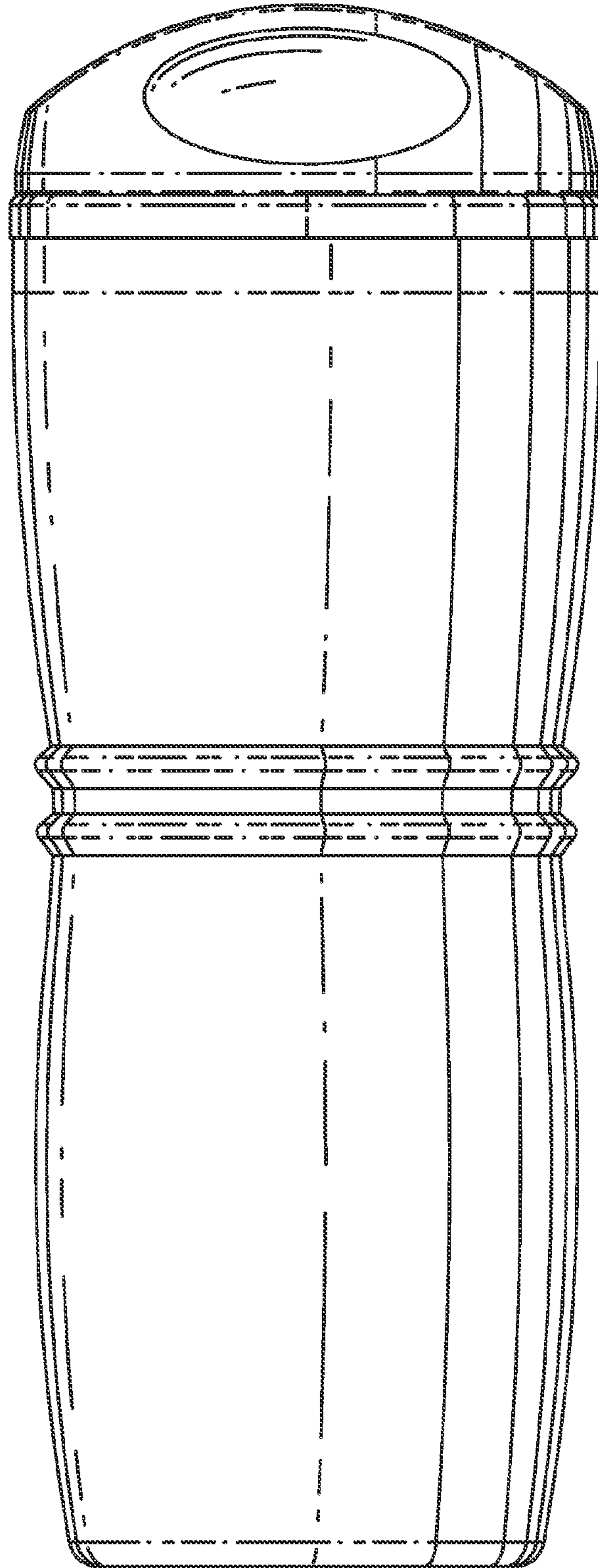


FIG. 2

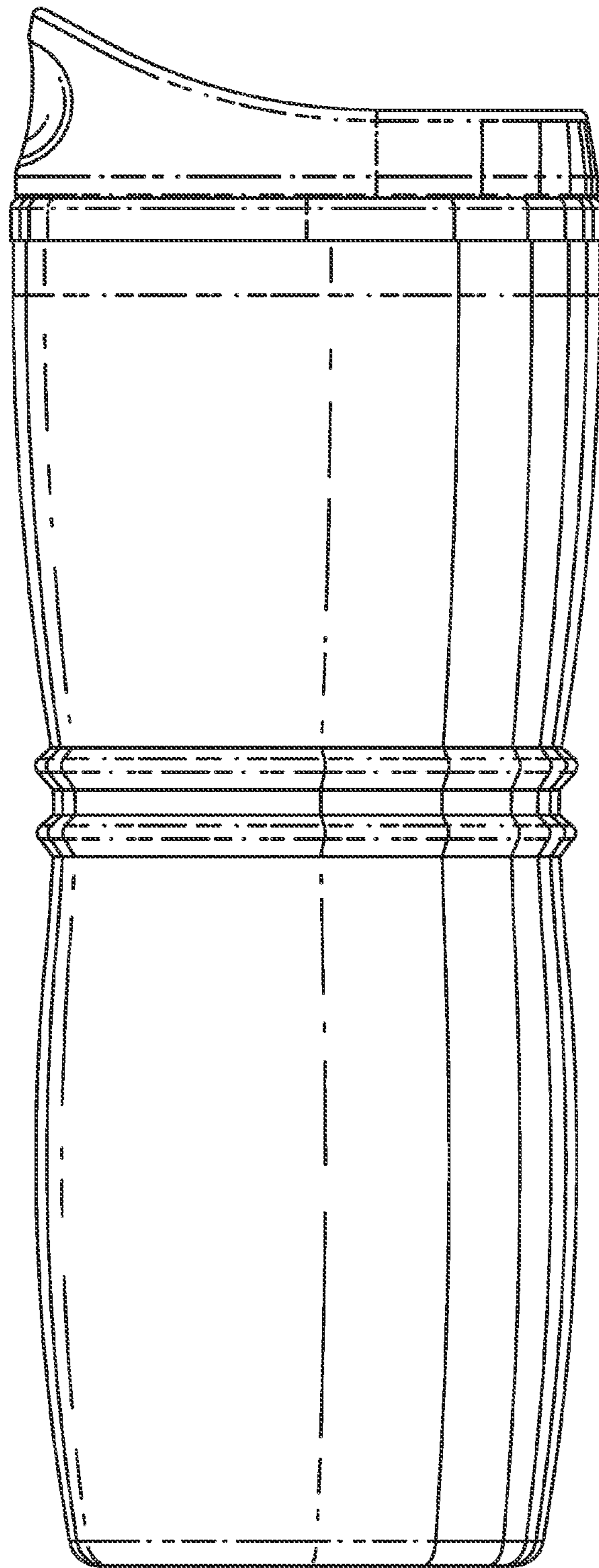


FIG. 3

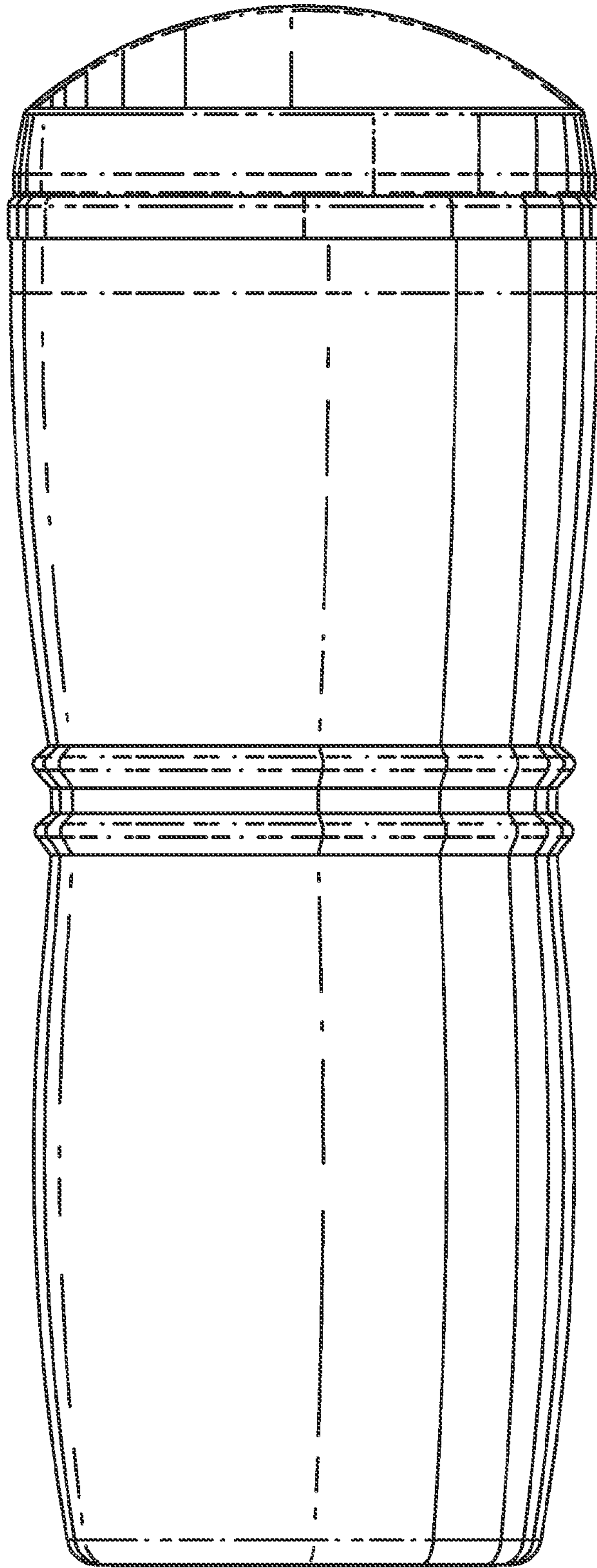


FIG. 4

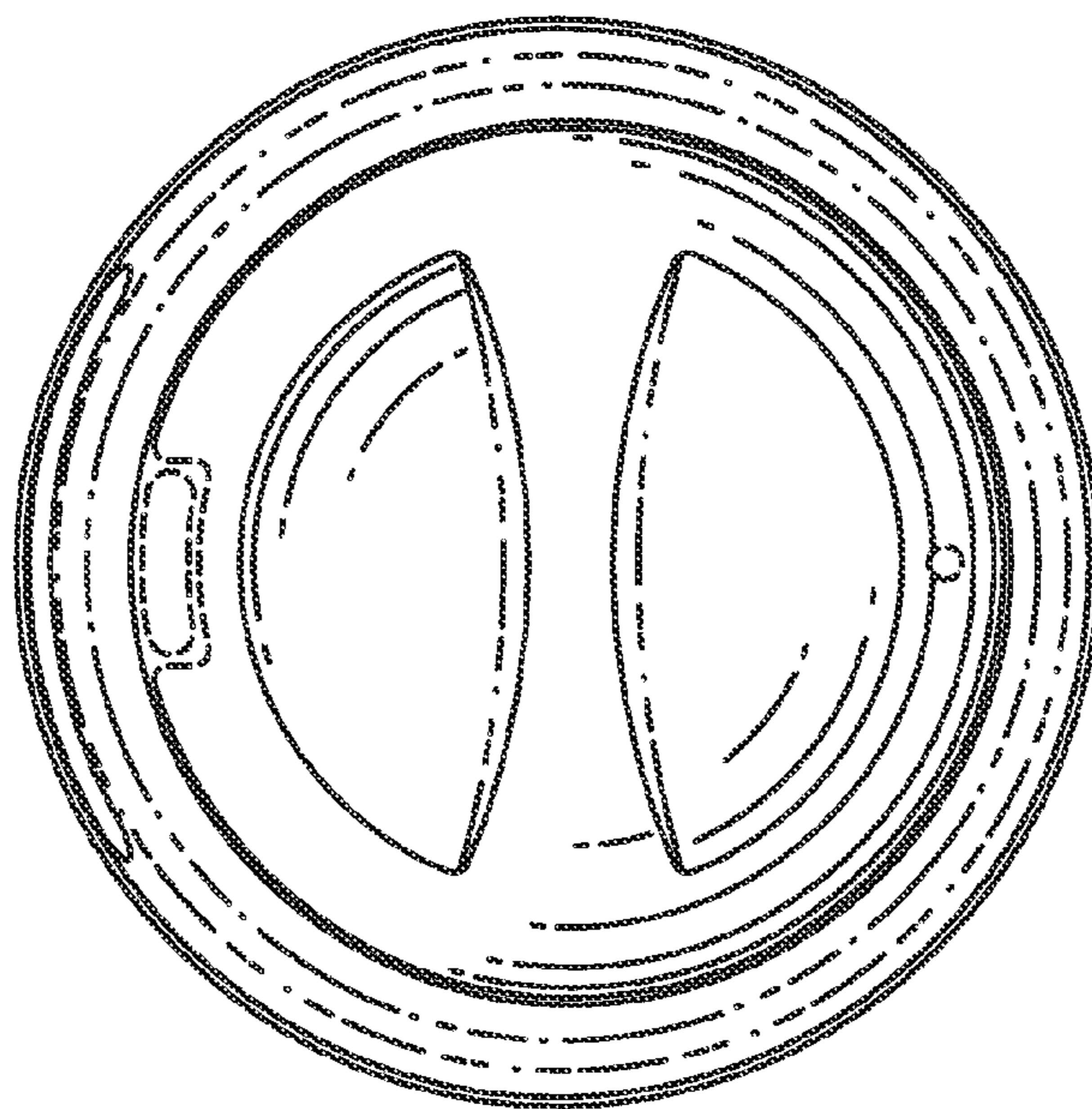


FIG. 5

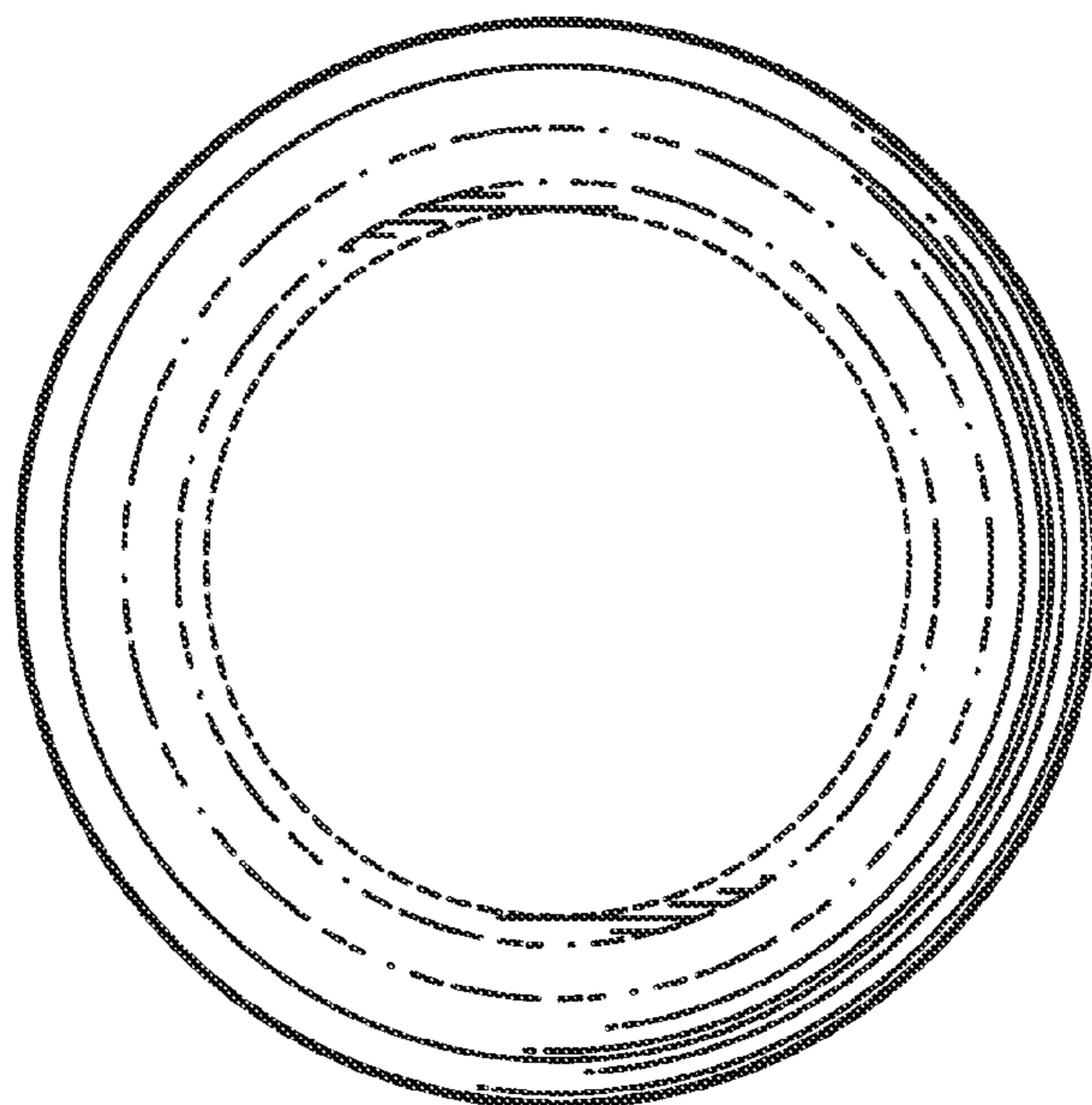


FIG. 6