



US00D650234S

(12) **United States Design Patent**
Tseng

(10) **Patent No.:** **US D650,234 S**

(45) **Date of Patent:** **** Dec. 13, 2011**

(54) **TUMBLER**

(75) Inventor: **Wei-Chieh Tseng**, Taipei (TW)

(73) Assignee: **PLA Studio Co., Ltd.**, Taipei (TW)

(**) Term: **14 Years**

(21) Appl. No.: **29/389,219**

(22) Filed: **Apr. 7, 2011**

(30) **Foreign Application Priority Data**

Oct. 20, 2010 (EM) 001771072-0001

(51) **LOC (9) Cl.** **07-01**

(52) **U.S. Cl.** **D7/510; D9/772**

(58) **Field of Classification Search** D7/509,
D7/510, 602, 615; D9/763, 772, 779, 780;
215/253-258, 273; 220/269, 288, 304, 604,
220/608, 620, 630, 644, 771, 906
See application file for complete search history.

(56) **References Cited**

U.S. PATENT DOCUMENTS

D396,916 S *	8/1998	Ochs, Sr.	D34/4
D424,438 S *	5/2000	Turner et al.	D9/438
D432,015 S *	10/2000	Holiday	D9/772
D570,228 S *	6/2008	van Dam	D9/772
D603,722 S *	11/2009	Reimer	D9/766
D604,181 S *	11/2009	Reimer	D9/766

D604,639 S *	11/2009	Huls et al.	D9/772
D605,060 S *	12/2009	Reimer	D9/766
D618,115 S *	6/2010	Huls et al.	D9/772
D623,963 S *	9/2010	Fairchild et al.	D9/772
D632,588 S *	2/2011	George	D9/772
D632,589 S *	2/2011	George	D9/772
D641,644 S *	7/2011	George	D9/772

* cited by examiner

Primary Examiner — Cynthia Underwood

(74) *Attorney, Agent, or Firm* — Muncy, Geissler, Olds & Lowe, PLLC

(57) **CLAIM**

The ornamental design for a tumbler, as shown and described.

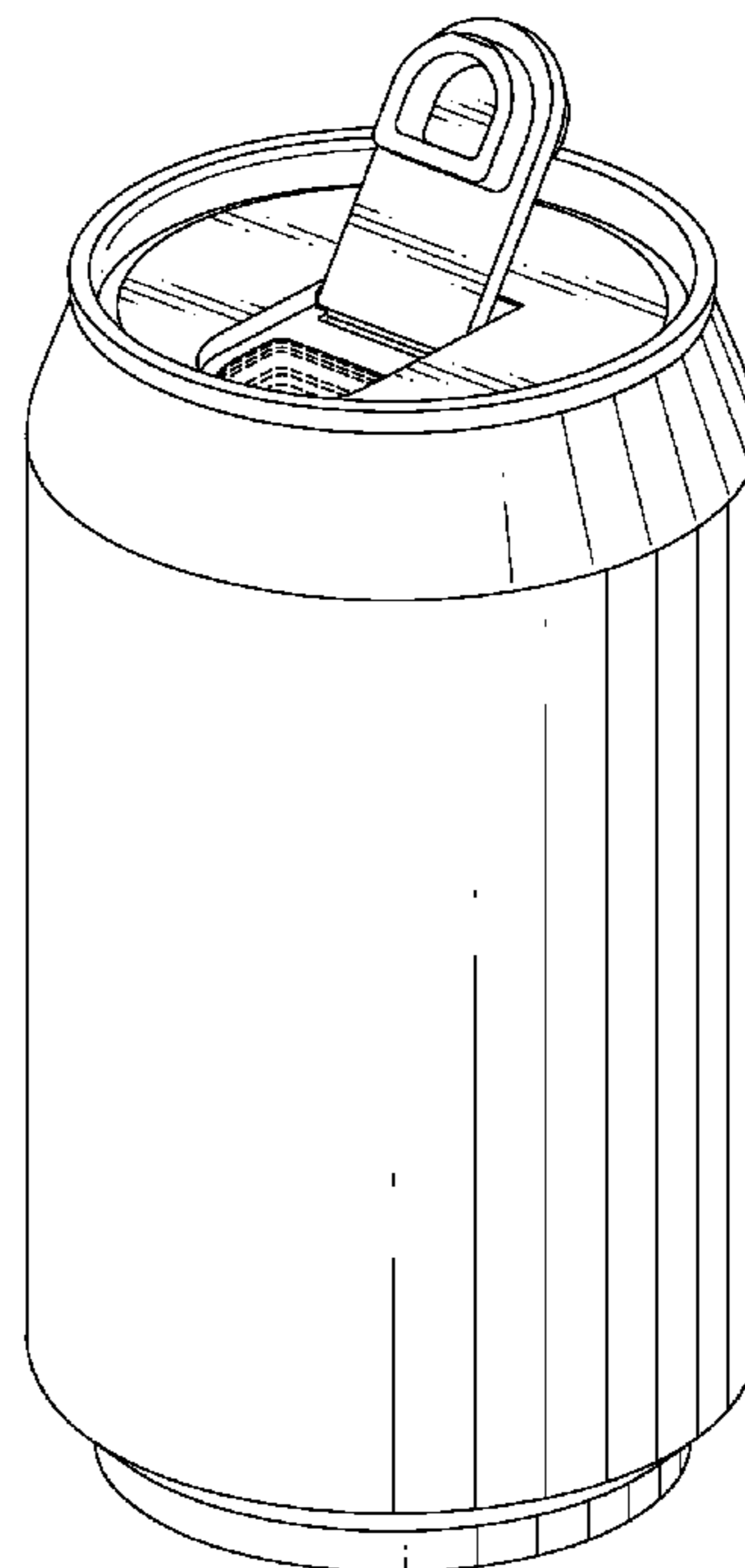
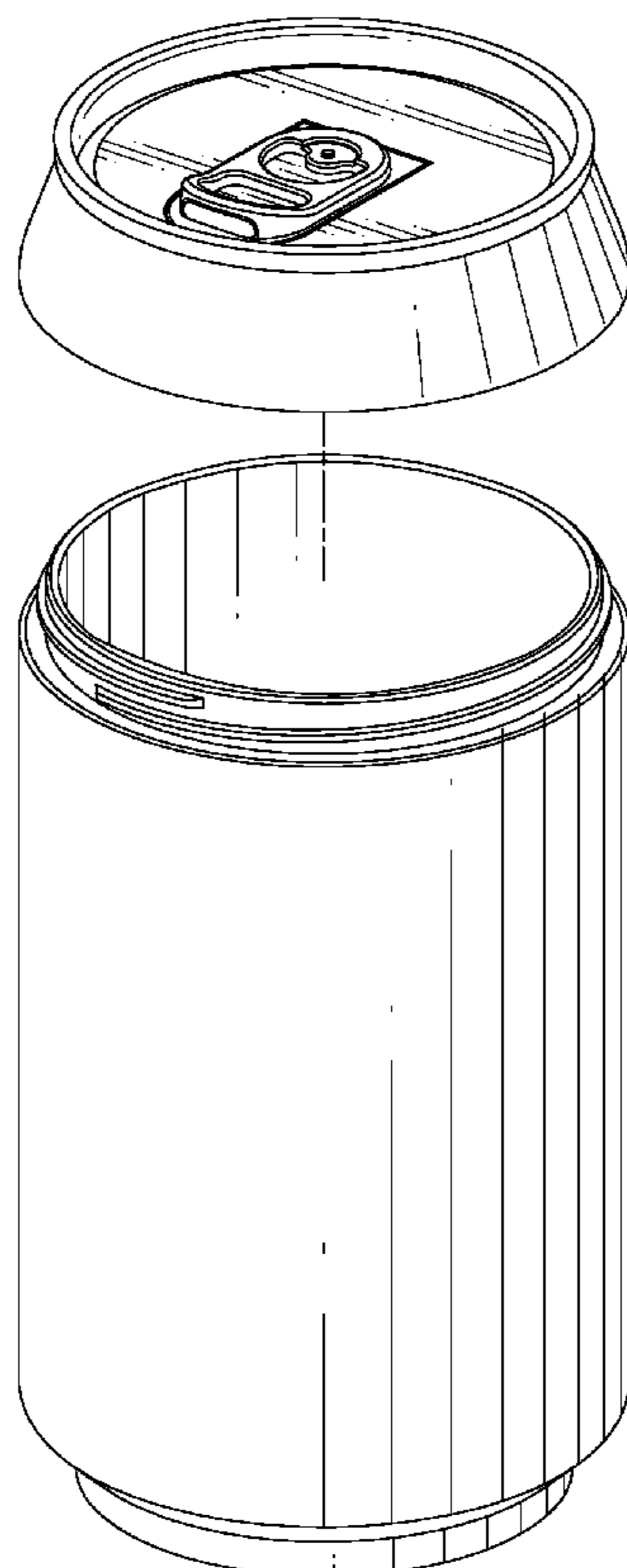
DESCRIPTION

FIG. 1. is a perspective view of the tumbler of the new design;
FIG. 2. is a side view thereof;
FIG. 3. is a top view thereof;
FIG. 4. is a bottom view thereof; and
FIG. 5. is a perspective view of the tumbler shown in exploded condition; and,

FIG. 6 is a perspective view of the tumbler shown in an alternate position of use.

The broken lines represent portions of the structure that forms no part of the claim.

1 Claim, 6 Drawing Sheets



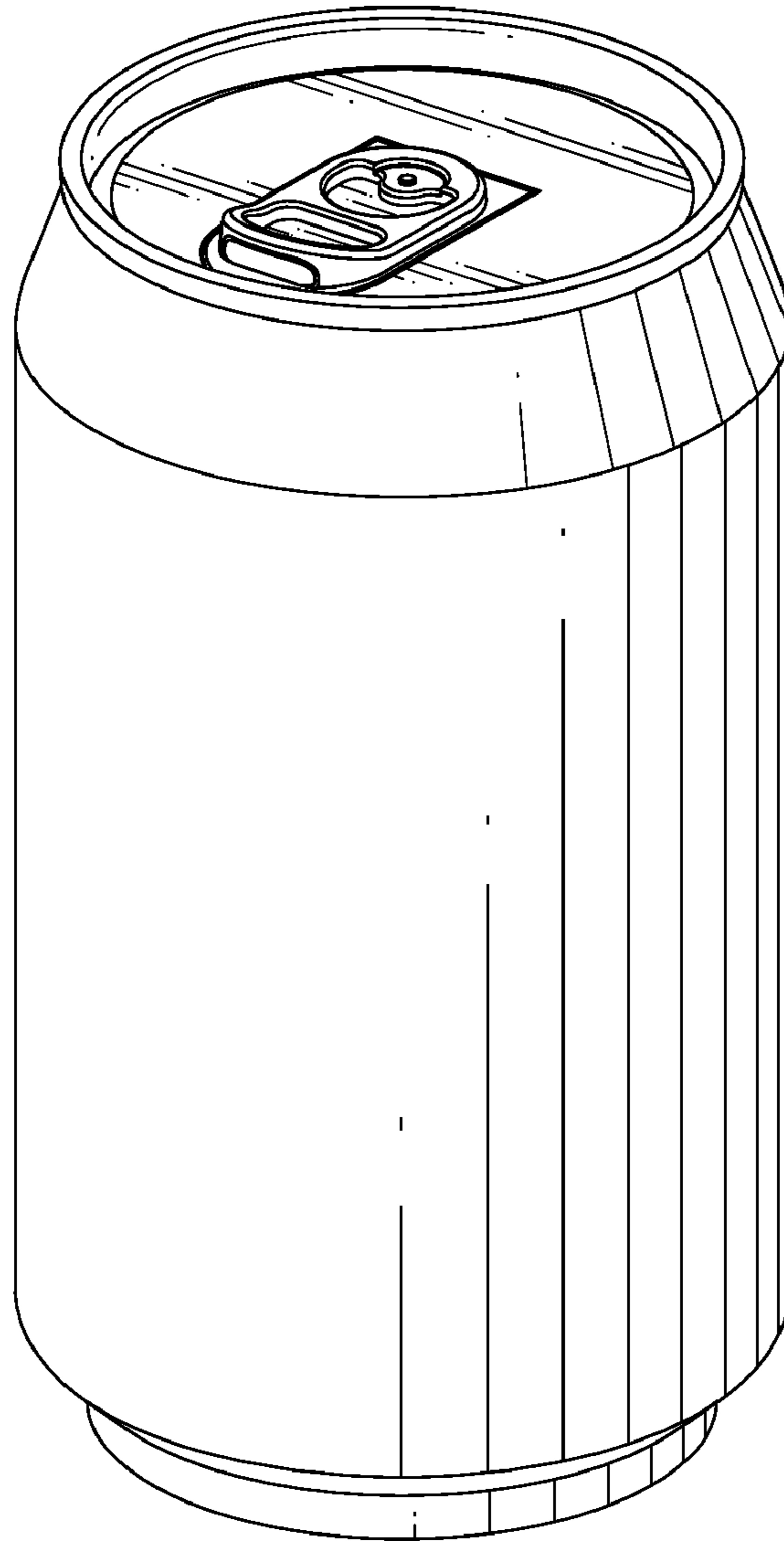


FIG. 1

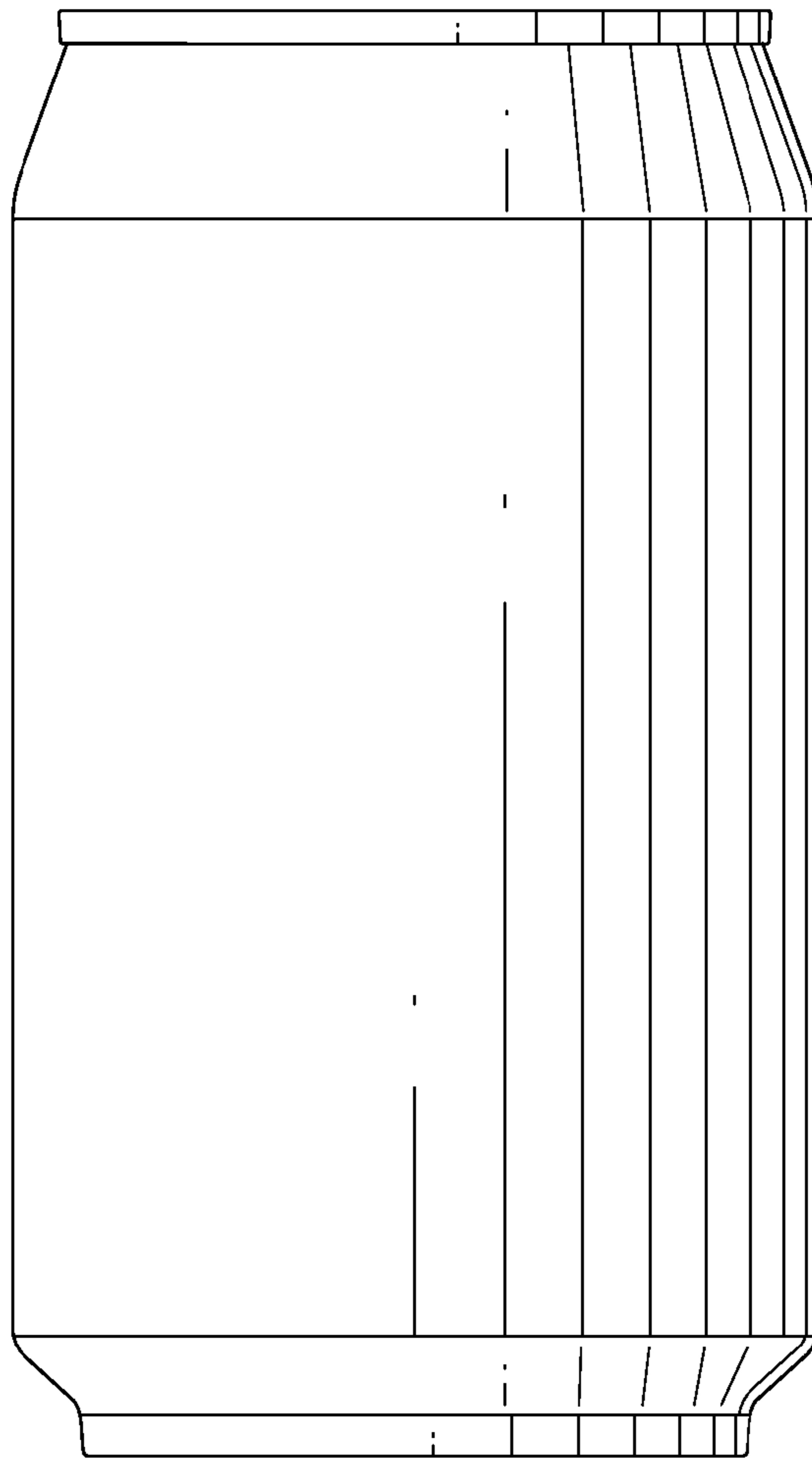


FIG. 2

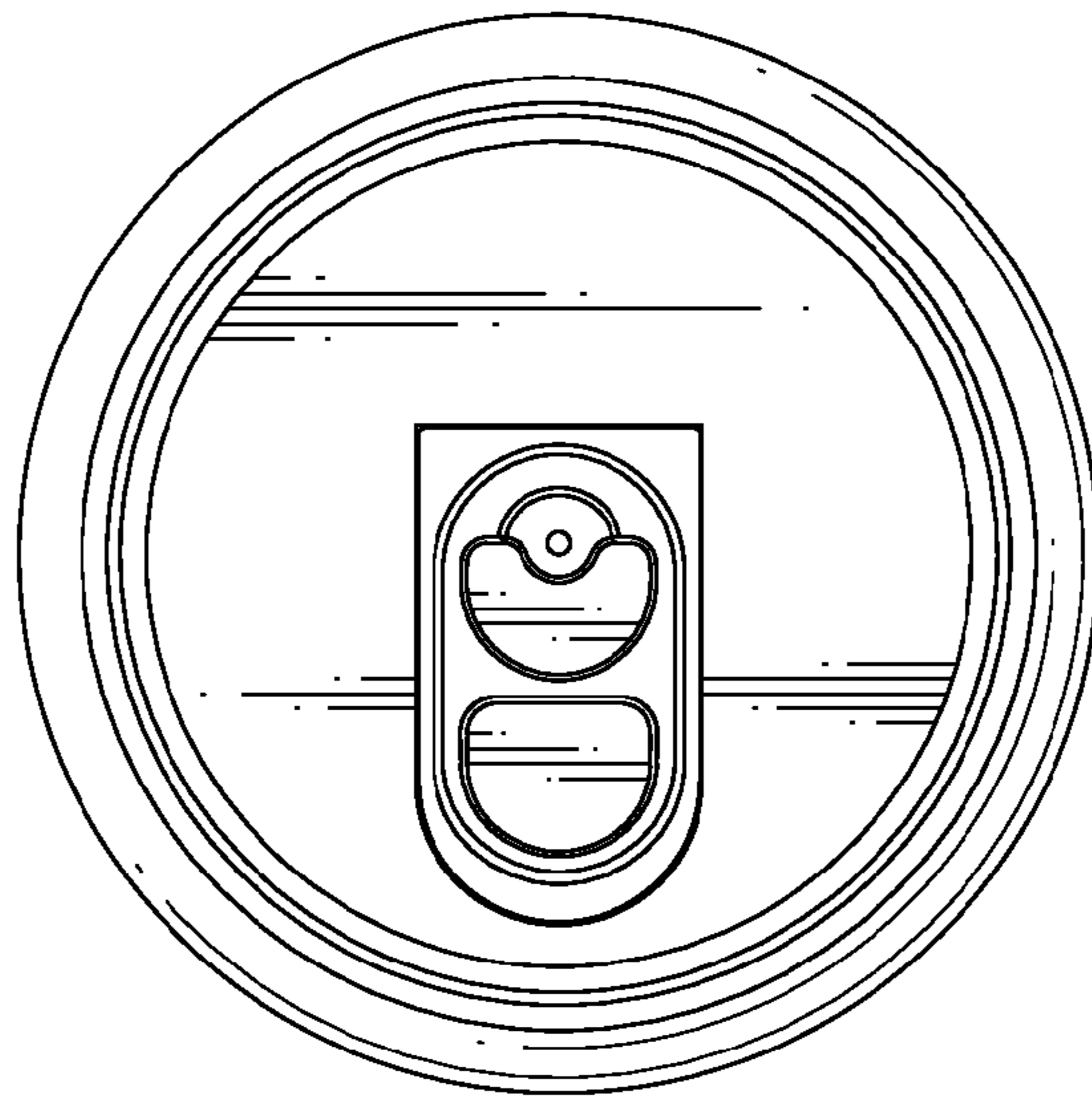


FIG. 3

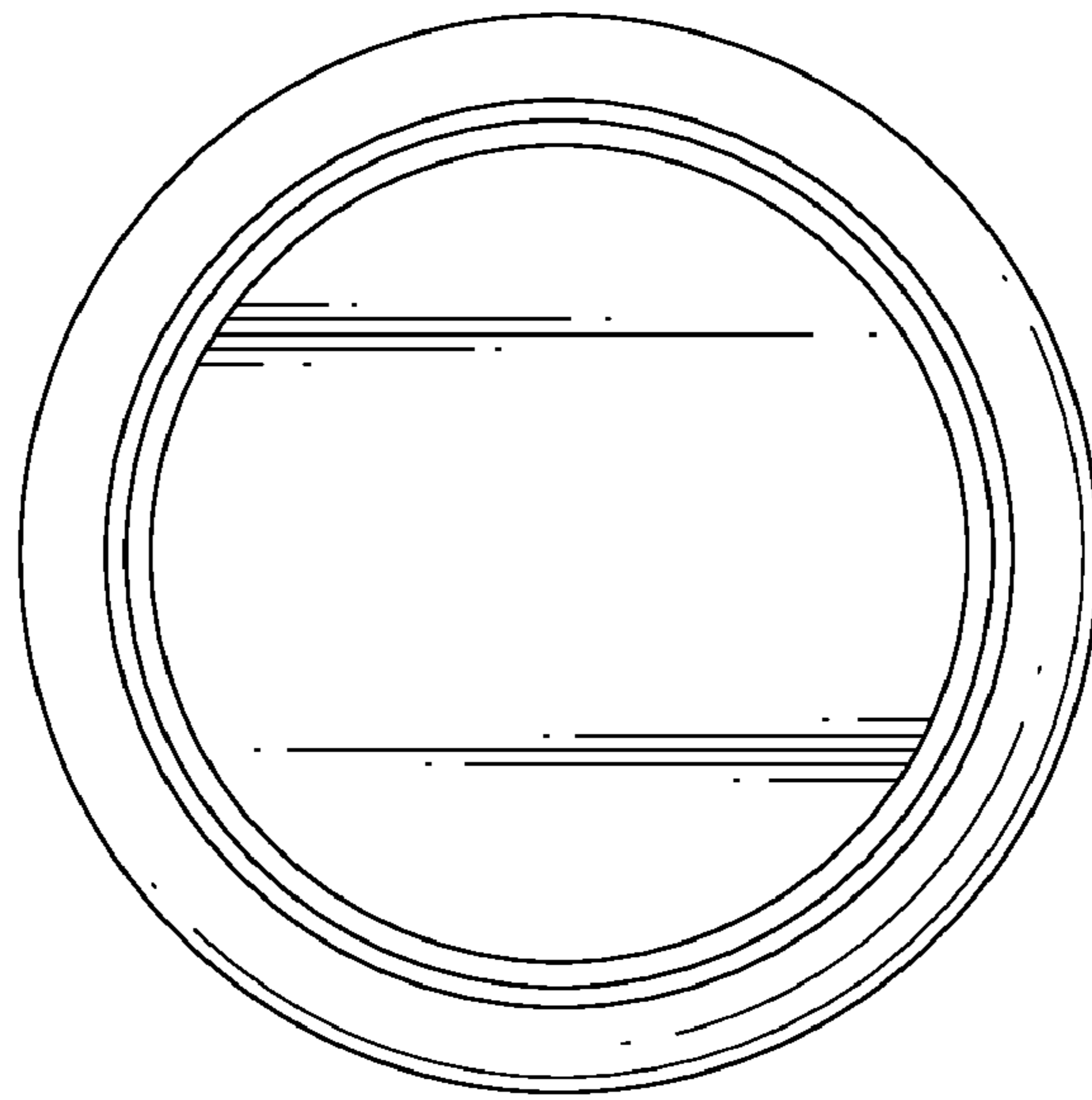


FIG. 4

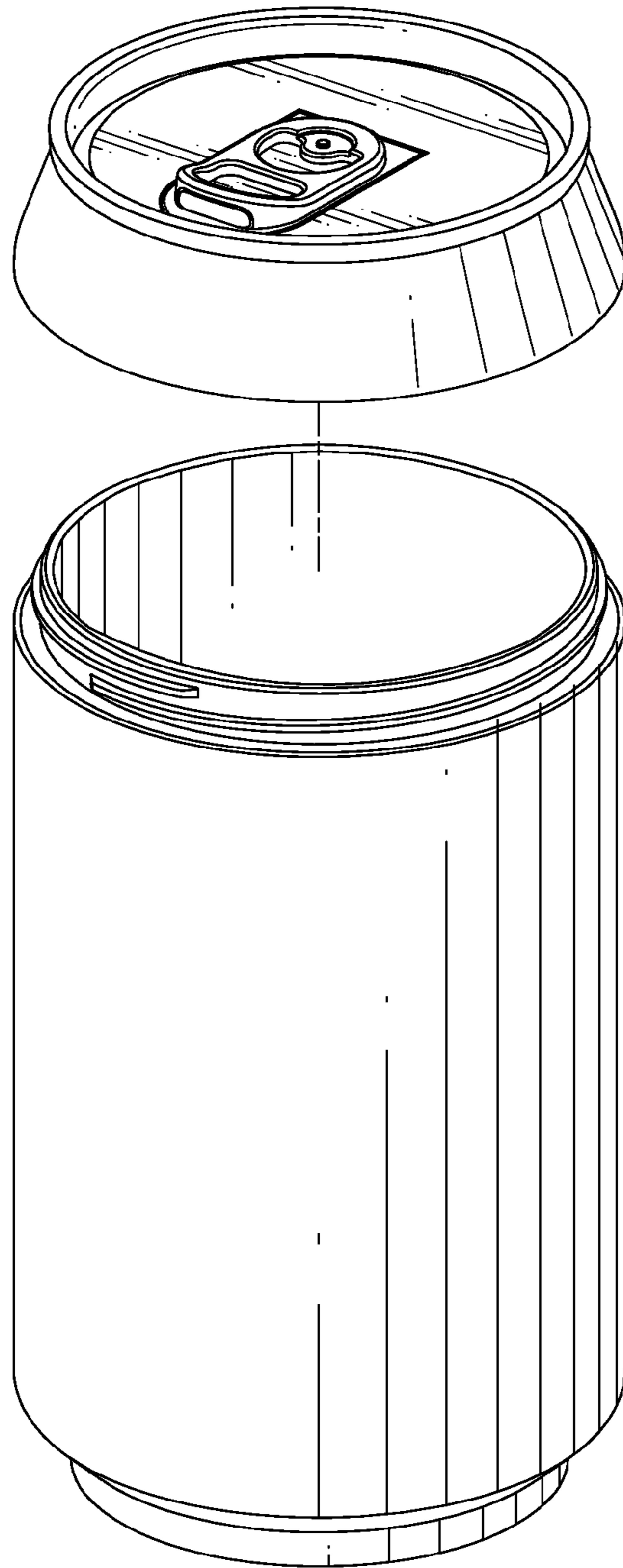


FIG. 5

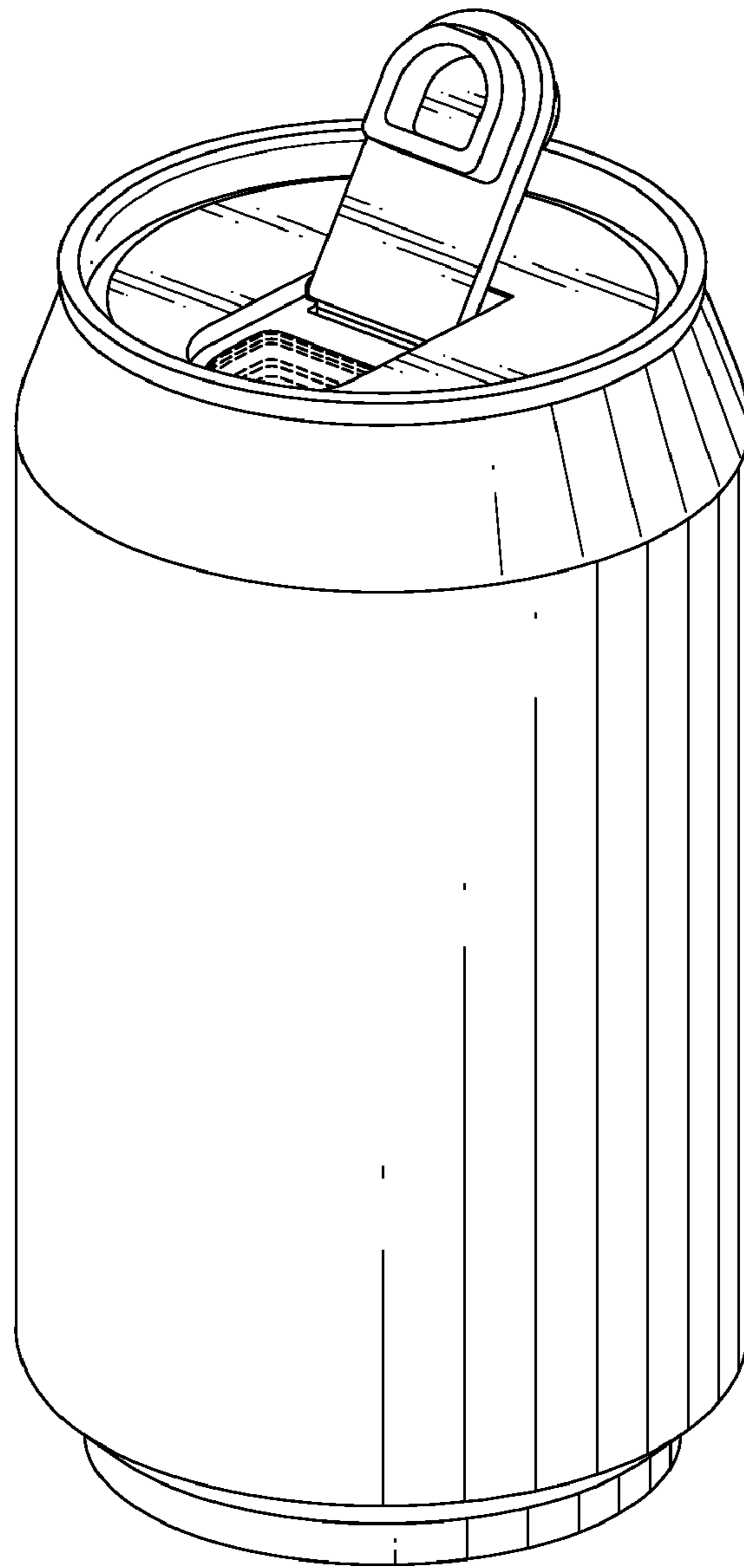


FIG. 6