



US00D650229S

(12) **United States Design Patent**
Hensel et al.

(10) **Patent No.:** **US D650,229 S**

(45) **Date of Patent:** **** Dec. 13, 2011**

(54) **FOOD PROCESSOR BOWL**

(75) Inventors: **Keith James Hensel**, Lane Cove (AU);
Daniel Armstrong, Kaleen (AU)

(73) Assignee: **Breville Pty Limited**, Botony, NSW
(AU)

(**) Term: **14 Years**

(21) Appl. No.: **29/388,944**

(22) Filed: **Apr. 5, 2011**

(30) **Foreign Application Priority Data**

Oct. 15, 2010 (AU) 14461/2010

(51) **LOC (9) Cl.** **31-00**

(52) **U.S. Cl.** **D7/412; D7/376; D7/378; D7/384**

(58) **Field of Classification Search** D7/305-311,
D7/317-318, 368, 372, 376-386, 391, 412-415,
D7/607, 665; 99/326, 348, 492, 508-511;
220/287; 241/30-37.5, 101.01-101.2, 166-169.1,
241/282.2, 285.1-285.3, 291, 292.1; 366/64-67,
366/98, 142, 197-211, 241-254, 279-292,
366/341-347; 416/75-76, 70 R, 163

See application file for complete search history.

(56) **References Cited**

U.S. PATENT DOCUMENTS

D445,299	S	*	7/2001	Spagnolo et al.	D7/384
6,397,735	B1	*	6/2002	Wong	99/492
6,907,819	B2	*	6/2005	Kernan	99/492
6,986,475	B2	*	1/2006	Wanat	241/37.5
D560,093	S	*	1/2008	Verdun	D7/384
D580,216	S	*	11/2008	Ryan	D7/384
D587,064	S	*	2/2009	Mark	D7/384
D625,143	S	*	10/2010	Moore et al.	D7/384
D625,144	S	*	10/2010	Moore et al.	D7/384
2011/0079596	A1	*	4/2011	Krasznai et al.	220/287
2011/0174905	A1	*	7/2011	Chan et al.	241/37.5

* cited by examiner

Primary Examiner — Ricky Pham

(74) *Attorney, Agent, or Firm* — Molins & Co.

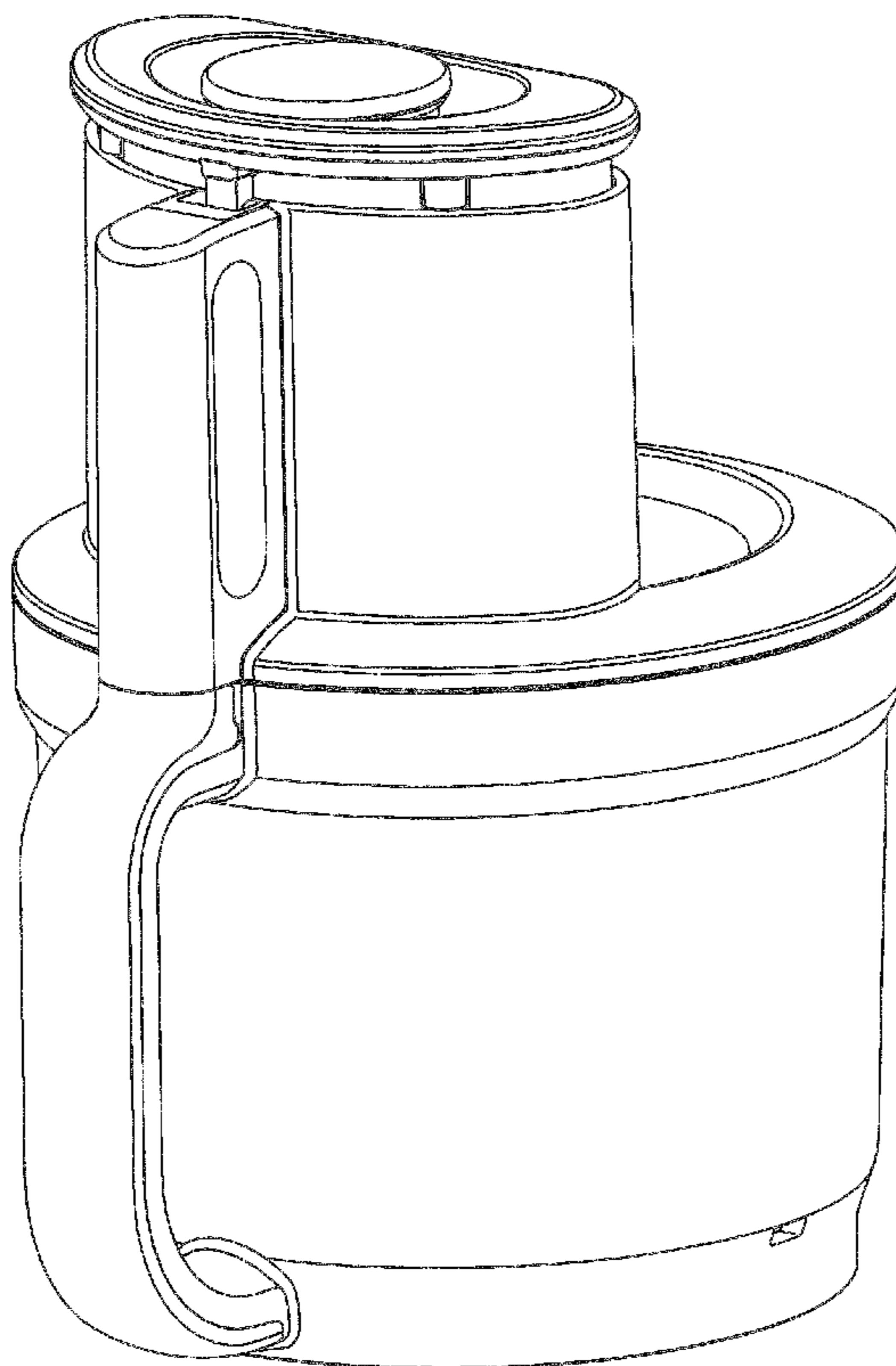
(57) **CLAIM**

The ornamental design for a food processor bowl, as shown and described.

DESCRIPTION

FIG. 1 is a front perspective view of a food processor bowl showing our new design;
FIG. 2 is a rear perspective view thereof;
FIG. 3 is a front view thereof;
FIG. 4 is a right view thereof;
FIG. 5 is a rear view thereof;
FIG. 6 is a left view thereof;
FIG. 7 is a top view thereof; and,
FIG. 8 is a bottom view thereof.

1 Claim, 8 Drawing Sheets



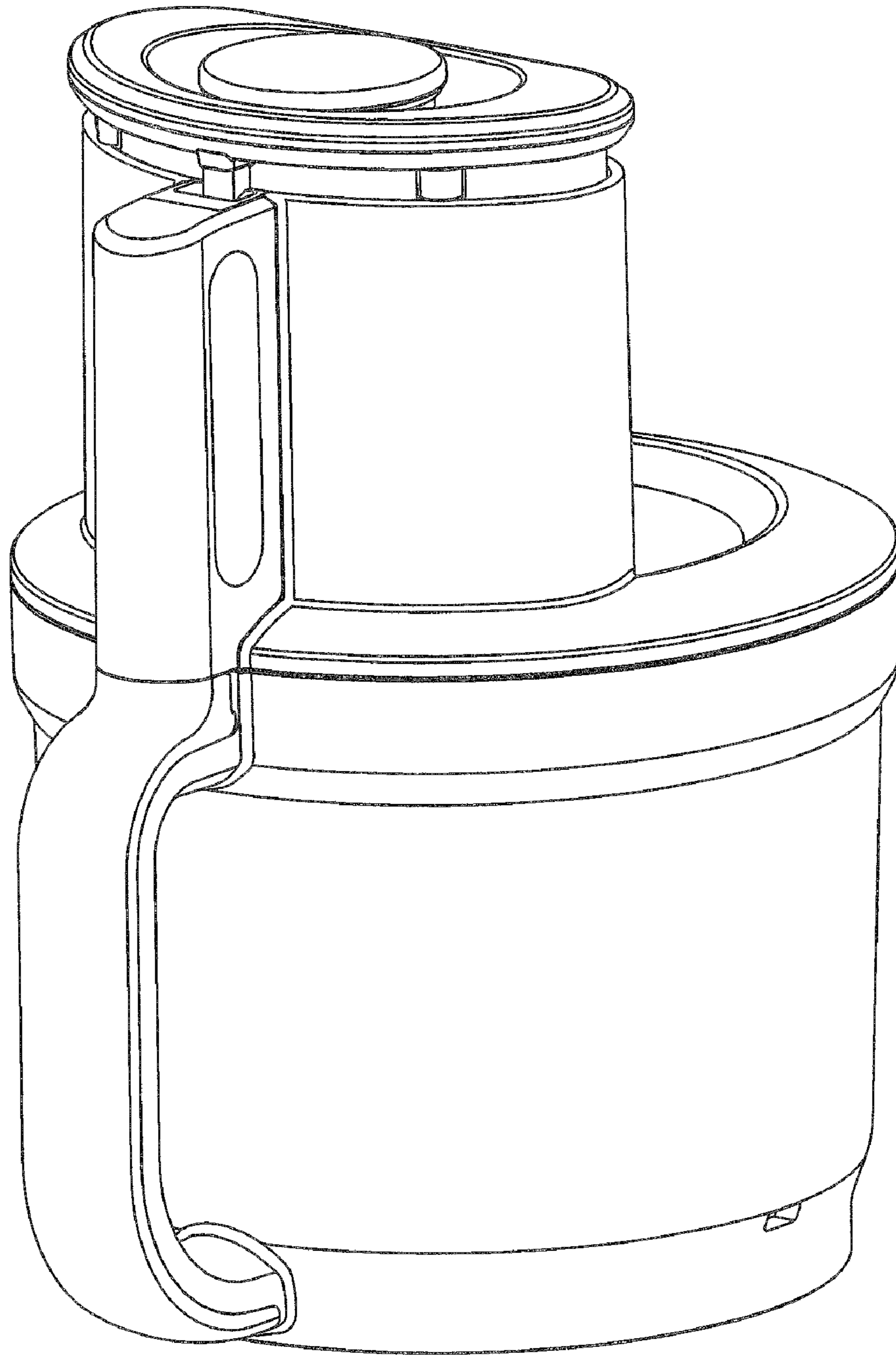


Figure 1

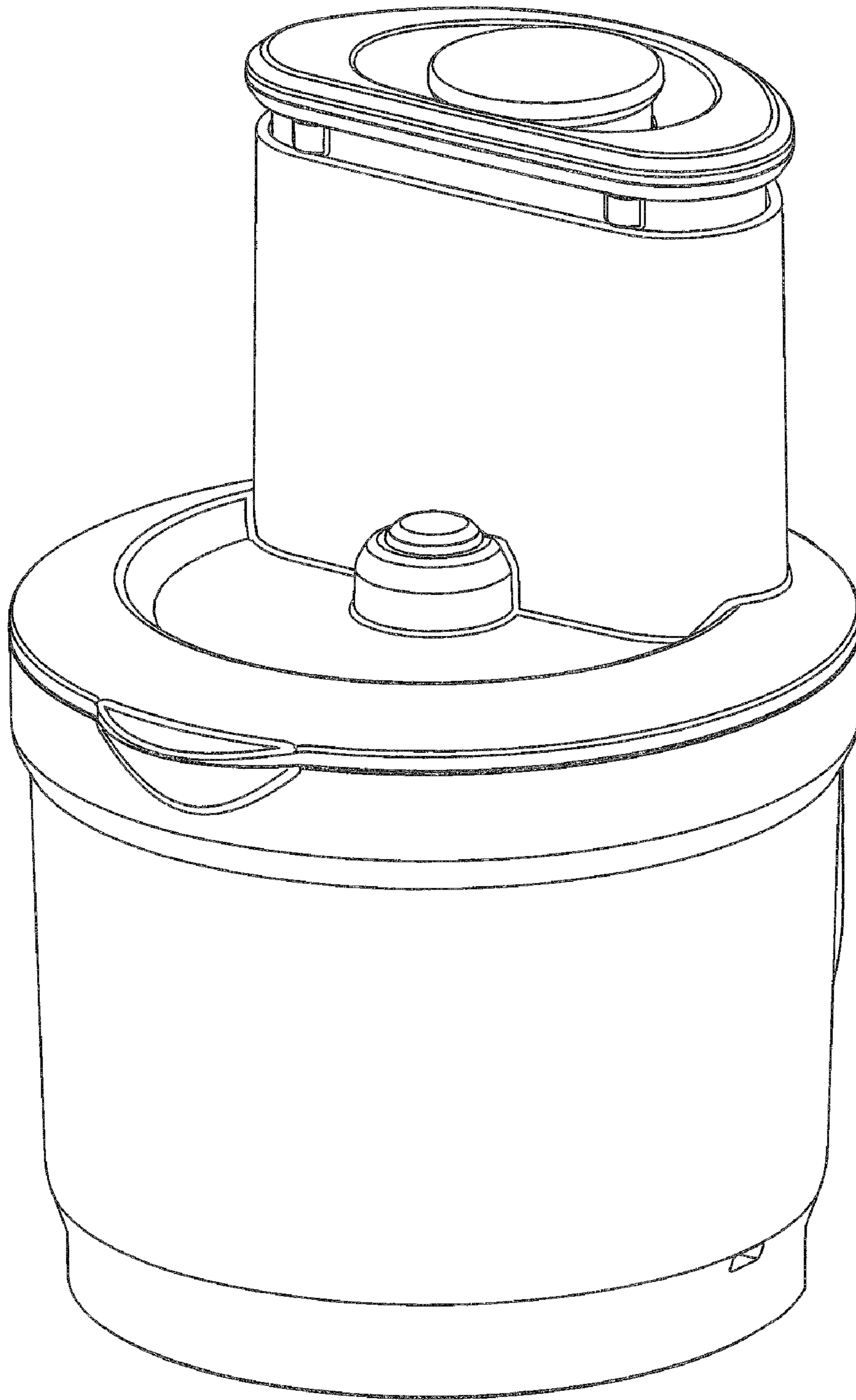


Figure 2

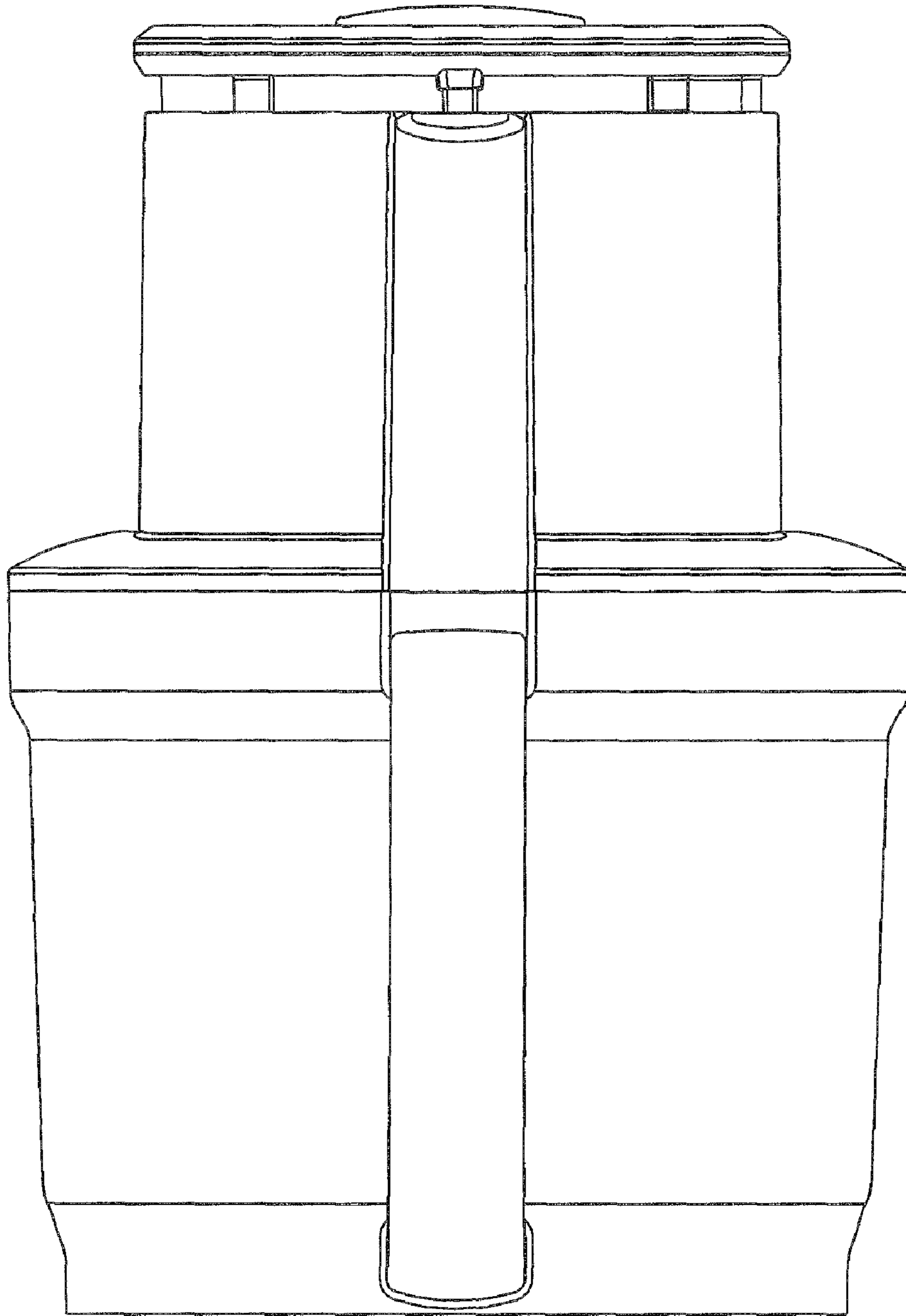


Figure 3

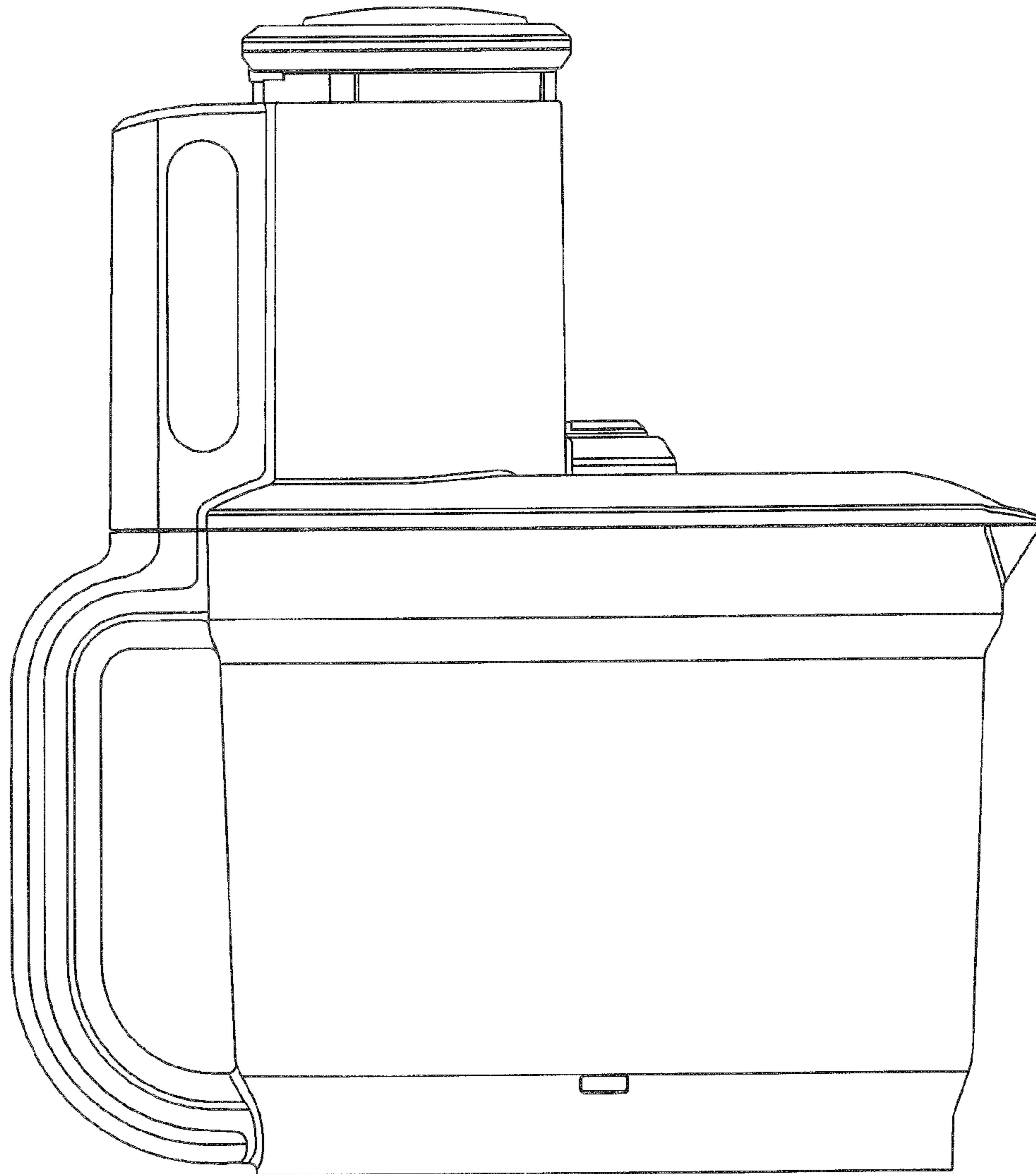


Figure 4

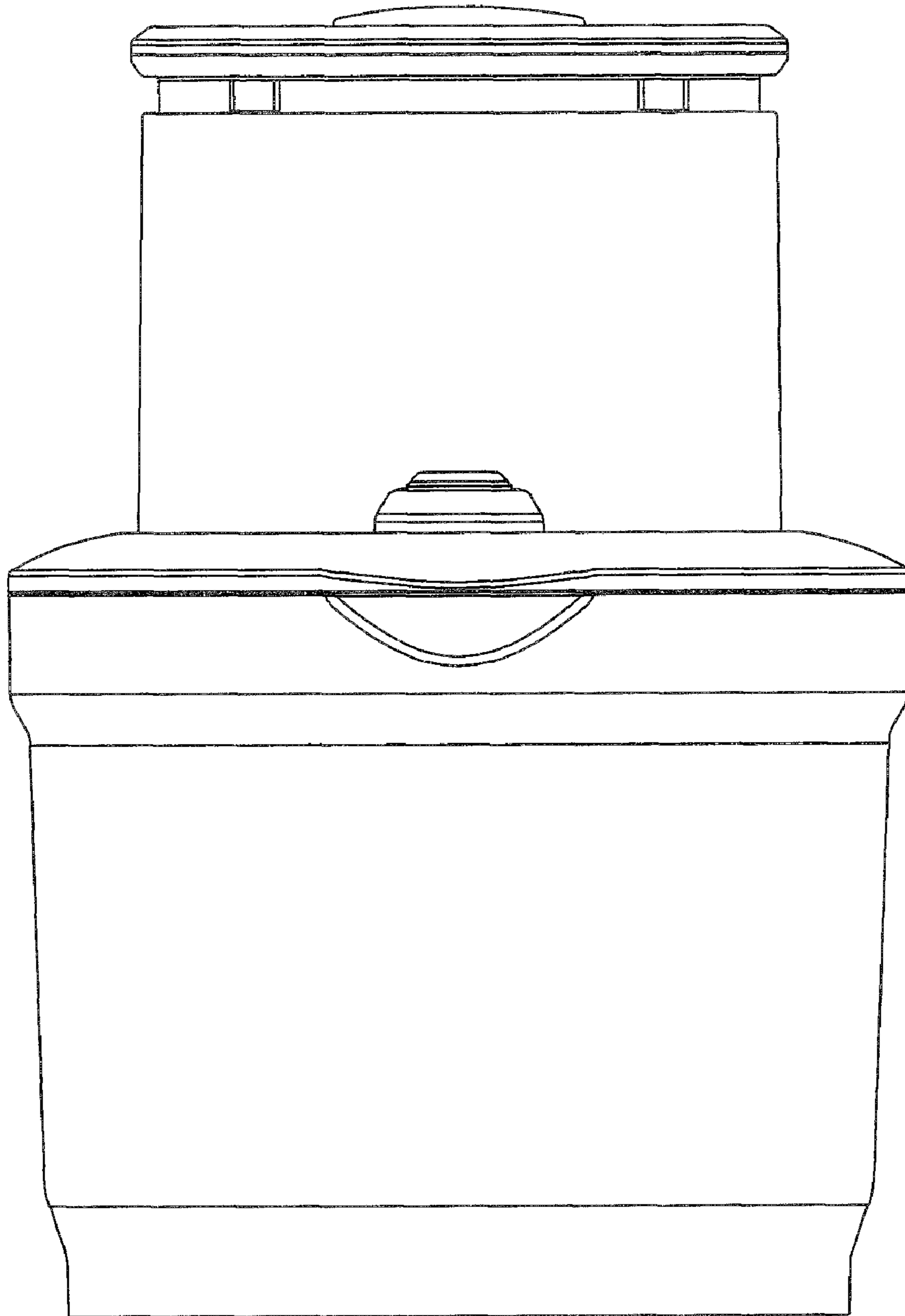


Figure 5

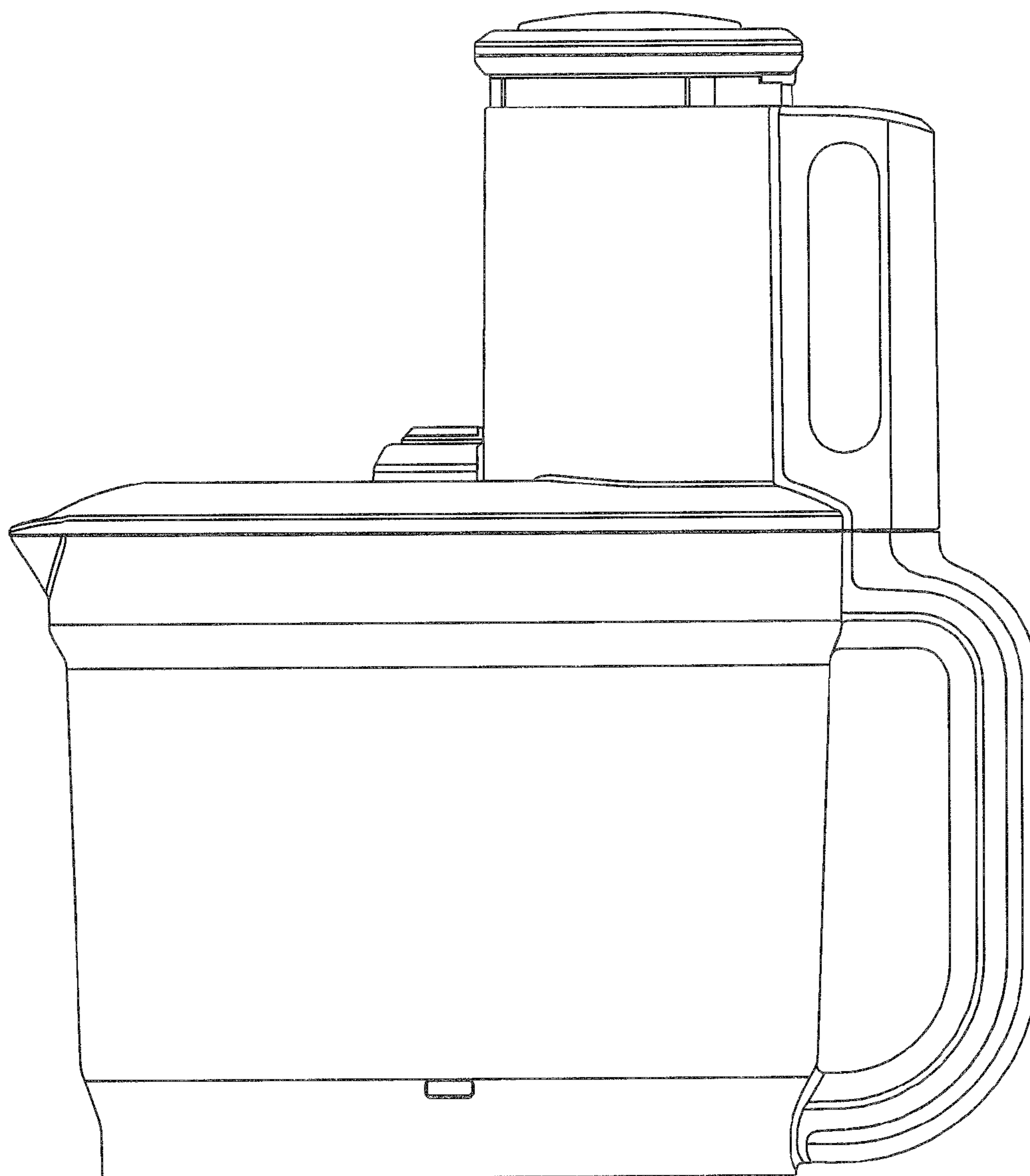


Figure 6

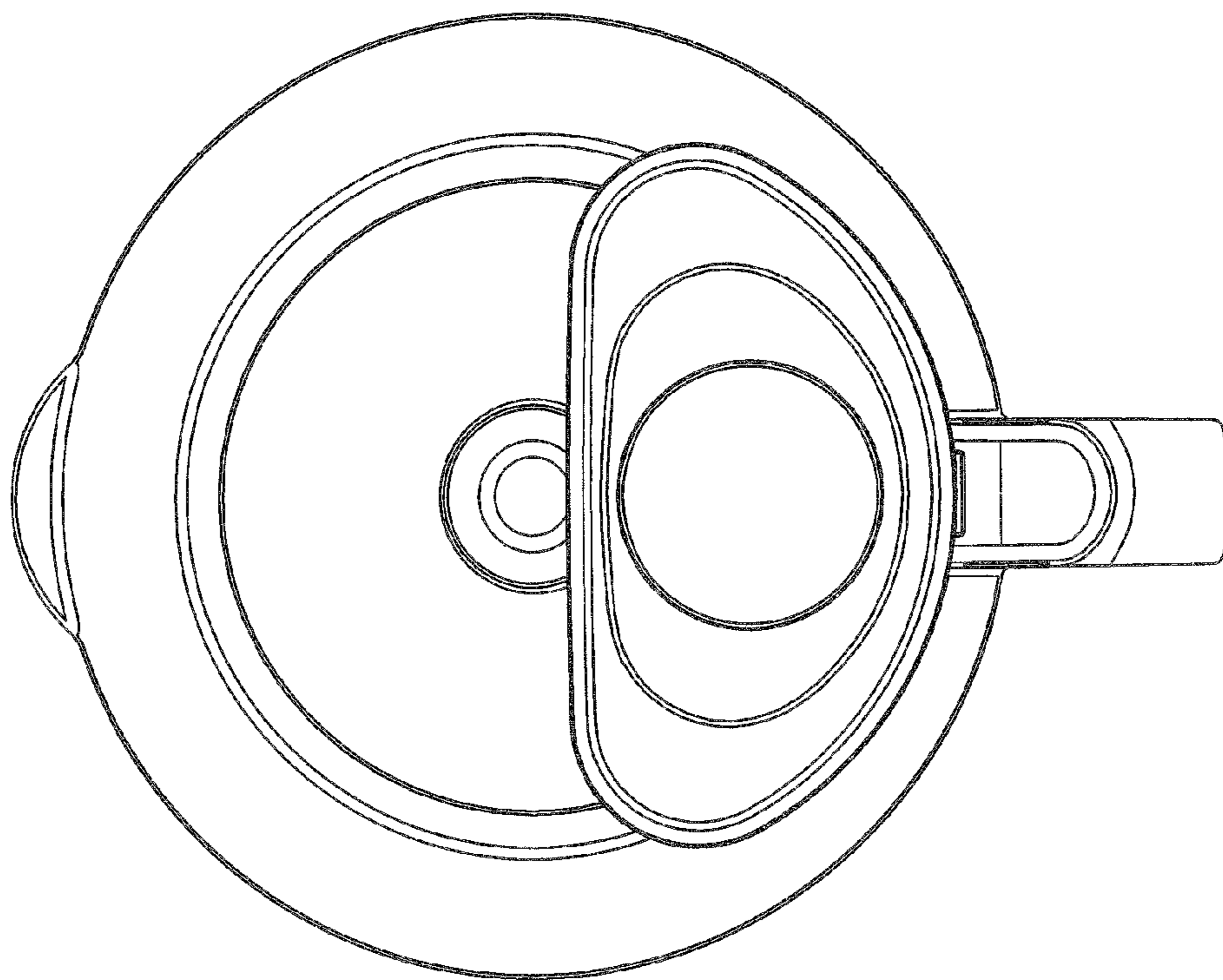


Figure 7

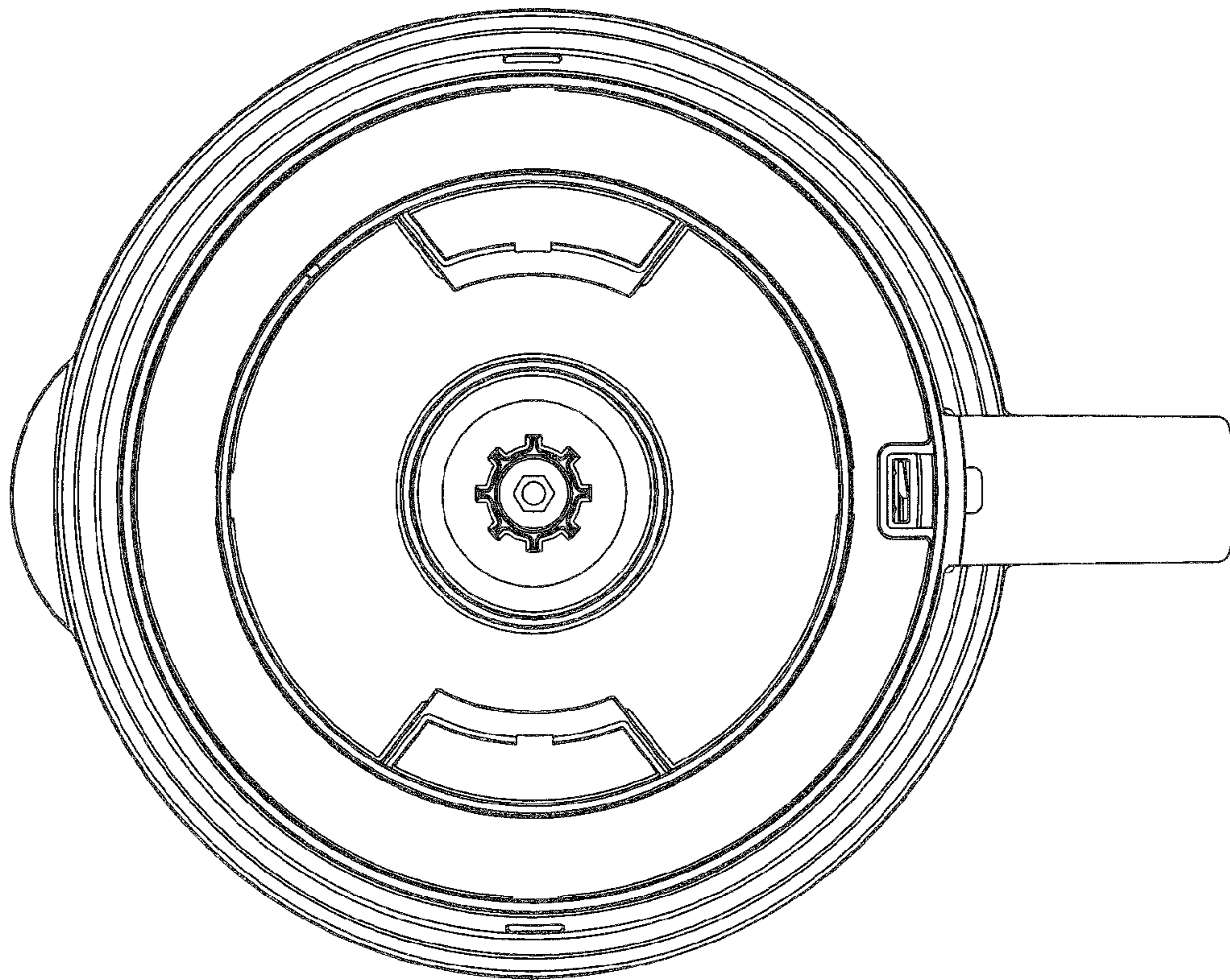


Figure 8