



US00D650226S

(12) **United States Design Patent**
Walker

(10) **Patent No.:** **US D650,226 S**
(45) **Date of Patent:** **** Dec. 13, 2011**

- (54) **RECTANGULAR GRILL GRATE**
- (76) Inventor: **Jeffrey D Walker**, Ortonville, MI (US)
- (**) Term: **14 Years**
- (21) Appl. No.: **29/366,813**
- (22) Filed: **Jul. 29, 2010**
- (51) **LOC (9) Cl.** **07-02**
- (52) **U.S. Cl.** **D7/409; D7/354**
- (58) **Field of Classification Search** D6/462,
D6/465, 509-511, 574; D7/323, 329-339,
D7/346-347, 350.1-350.4, 354-363, 388,
D7/391, 393, 395, 402, 408-409, 538, 542,
D7/587, 624.1, 667; 99/324-325, 331-332,
99/337-340, 369, 403-418, 422-425, 444,
99/448-450; 119/161, 166, 463; 126/9 B,
126/25 A, 25 R, 30, 41 R, 275 R, 337 R,
126/380.1, 390.1, 506; 206/501-505, 507-508;
211/153; 219/400, 405, 435-442, 620-624,
219/725, 730-735; 220/485-491, 573.1-573.5,
220/759, 912; 426/438, 441, 523
See application file for complete search history.

- D369,939 S 5/1996 Gibbs
- D425,754 S * 5/2000 Matteson et al. D7/409
- 6,578,568 B1 * 6/2003 Dufort et al. 126/30
- D485,109 S * 1/2004 Oberhaus D6/574
- D546,101 S * 7/2007 Knight D6/510
- D547,094 S * 7/2007 Klein et al. D6/462
- D551,884 S * 10/2007 Remmers D6/511
- D568,077 S * 5/2008 Klein et al. D6/509
- D568,635 S * 5/2008 Klein et al. D6/465
- D588,839 S * 3/2009 Klein et al. D6/462
- D589,729 S * 4/2009 Klein et al. D6/510
- D589,730 S * 4/2009 Klein et al. D6/510
- D590,195 S * 4/2009 Klein et al. D6/510
- D592,443 S * 5/2009 Fraser D7/335
- D592,897 S * 5/2009 Welsch et al. D6/511
- D610,405 S 2/2010 McConnell
- 7,735,481 B1 * 6/2010 Kalsi et al. 126/337 R
- D627,180 S * 11/2010 McCombs et al. D6/511
- 2004/0112852 A1 * 6/2004 Brooks 211/153

* cited by examiner

Primary Examiner — Ricky Pham
(74) *Attorney, Agent, or Firm* — Mastrogiacomo PLLC

(57) **CLAIM**
The ornamental design for a rectangular grill grate, as shown and described.

(56) **References Cited**

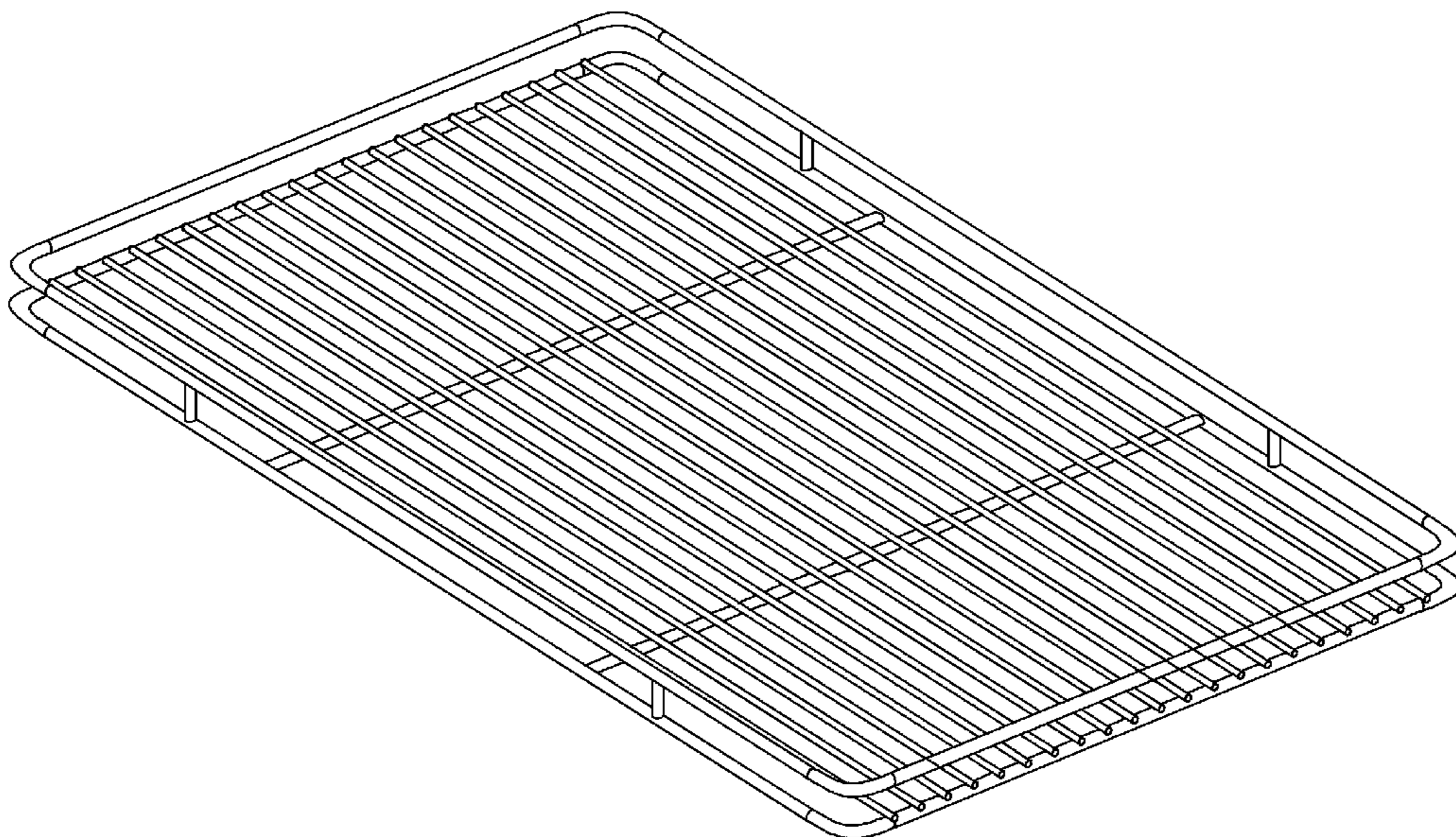
U.S. PATENT DOCUMENTS

- 2,799,426 A * 7/1957 Kaye 220/491
- 2,827,846 A * 3/1958 Karkling 99/339
- 2,832,499 A * 4/1958 Maslow 220/488
- 2,977,953 A * 4/1961 Miller 126/30
- D215,773 S * 10/1969 Maslow D6/462
- D263,918 S * 4/1982 Boyd D7/336
- D326,579 S * 6/1992 Leeds D6/511
- D327,602 S 7/1992 Walker
- 5,133,333 A * 7/1992 Stout 126/25 R

DESCRIPTION

FIG. 1 is a perspective view of the rectangular grill grate; FIG. 2 is top view of the rectangular grill grate; FIG. 3 is a front view of the rectangular grill grate, a rear view being identical thereto; FIG. 4 is a bottom view of the rectangular grill grate; and, FIG. 5 is a right side view of the rectangular grill grate, a left side view being identical thereto.

1 Claim, 3 Drawing Sheets



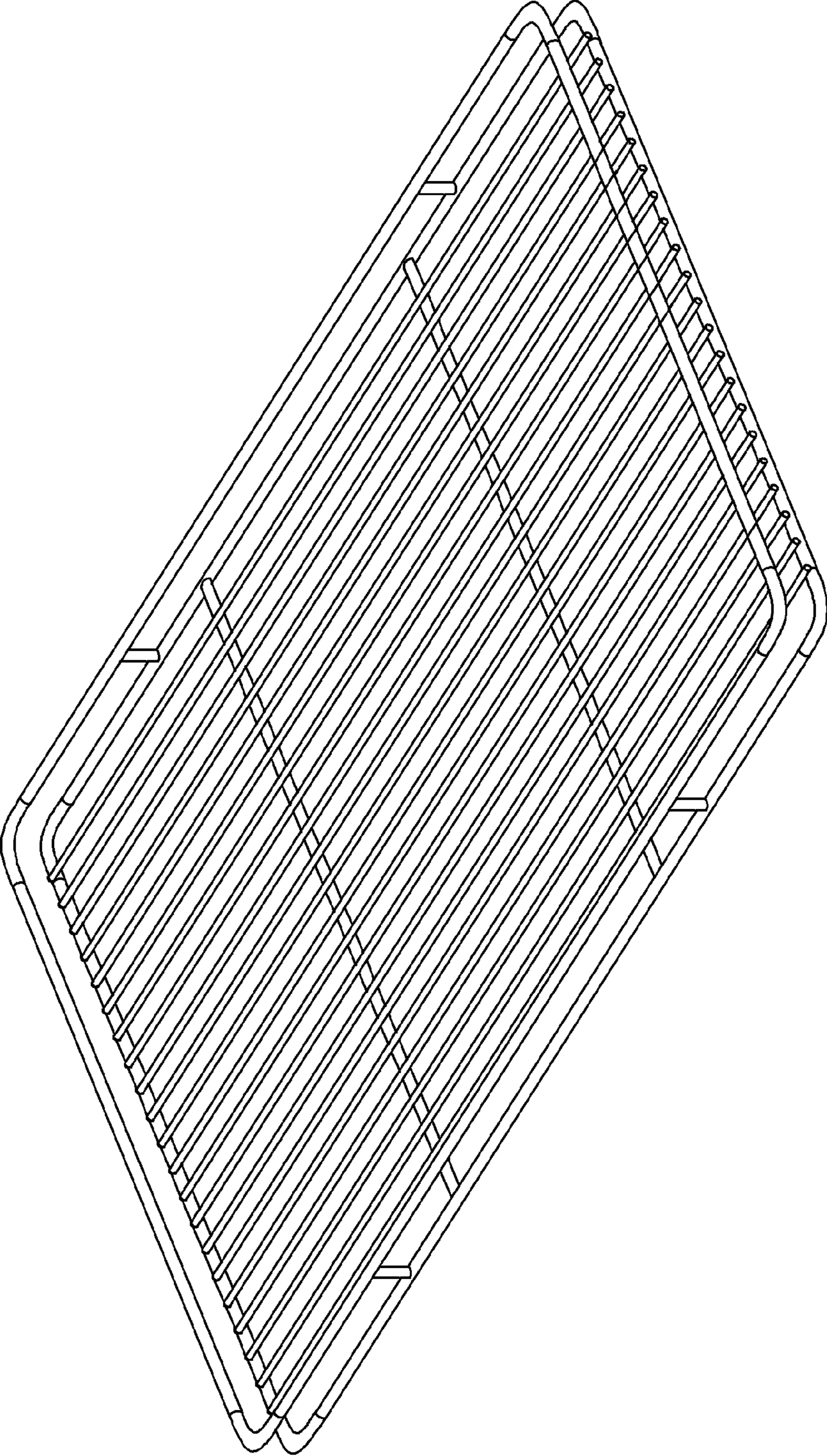


FIG. 1

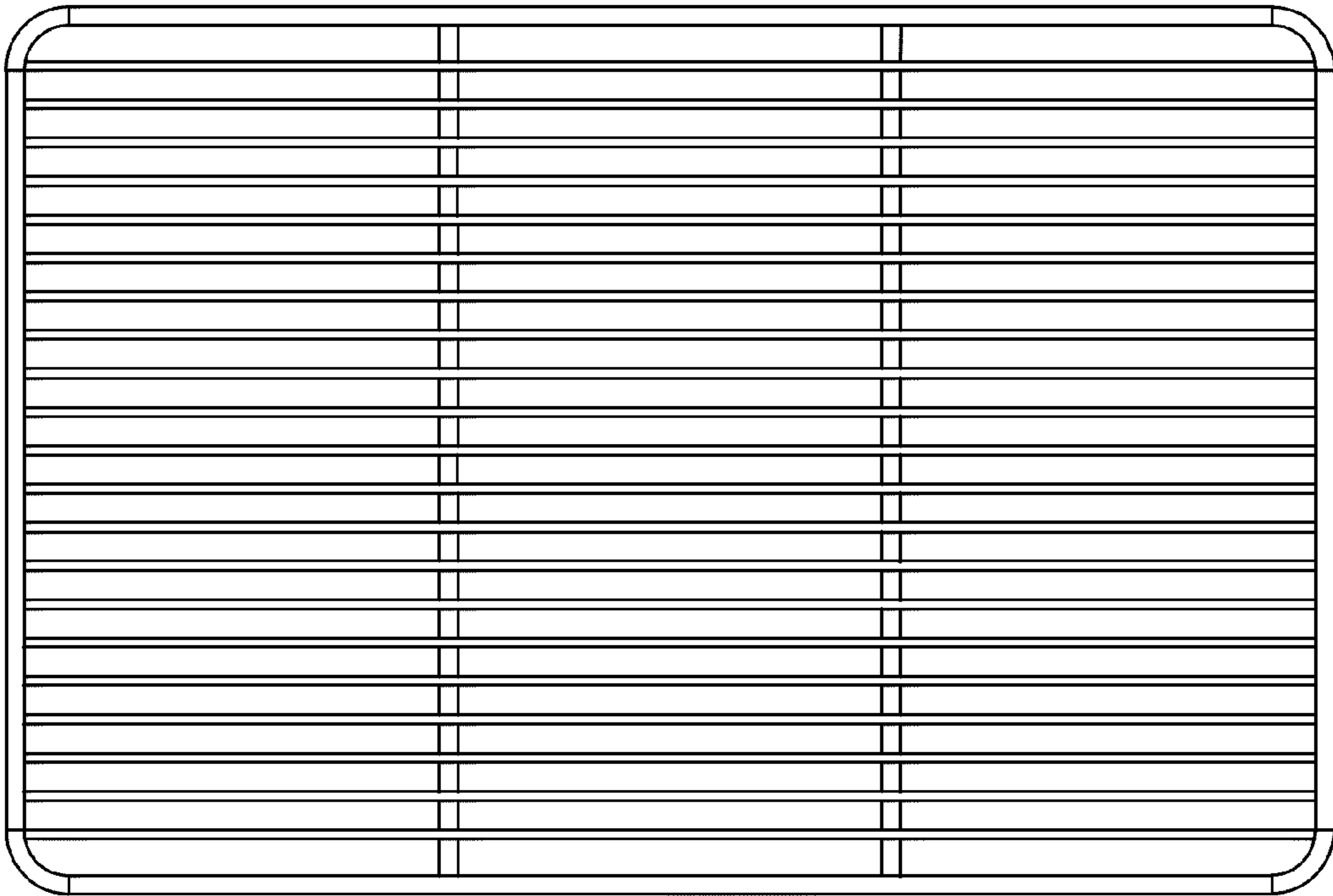


FIG. 2

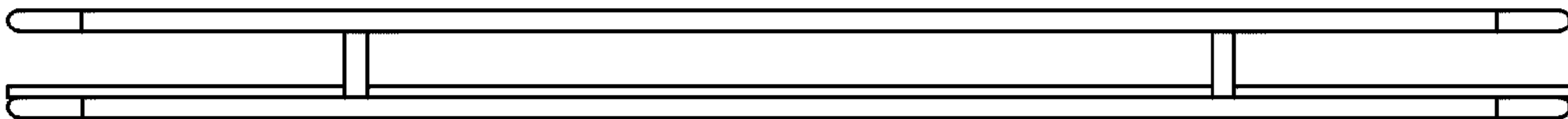


FIG. 3

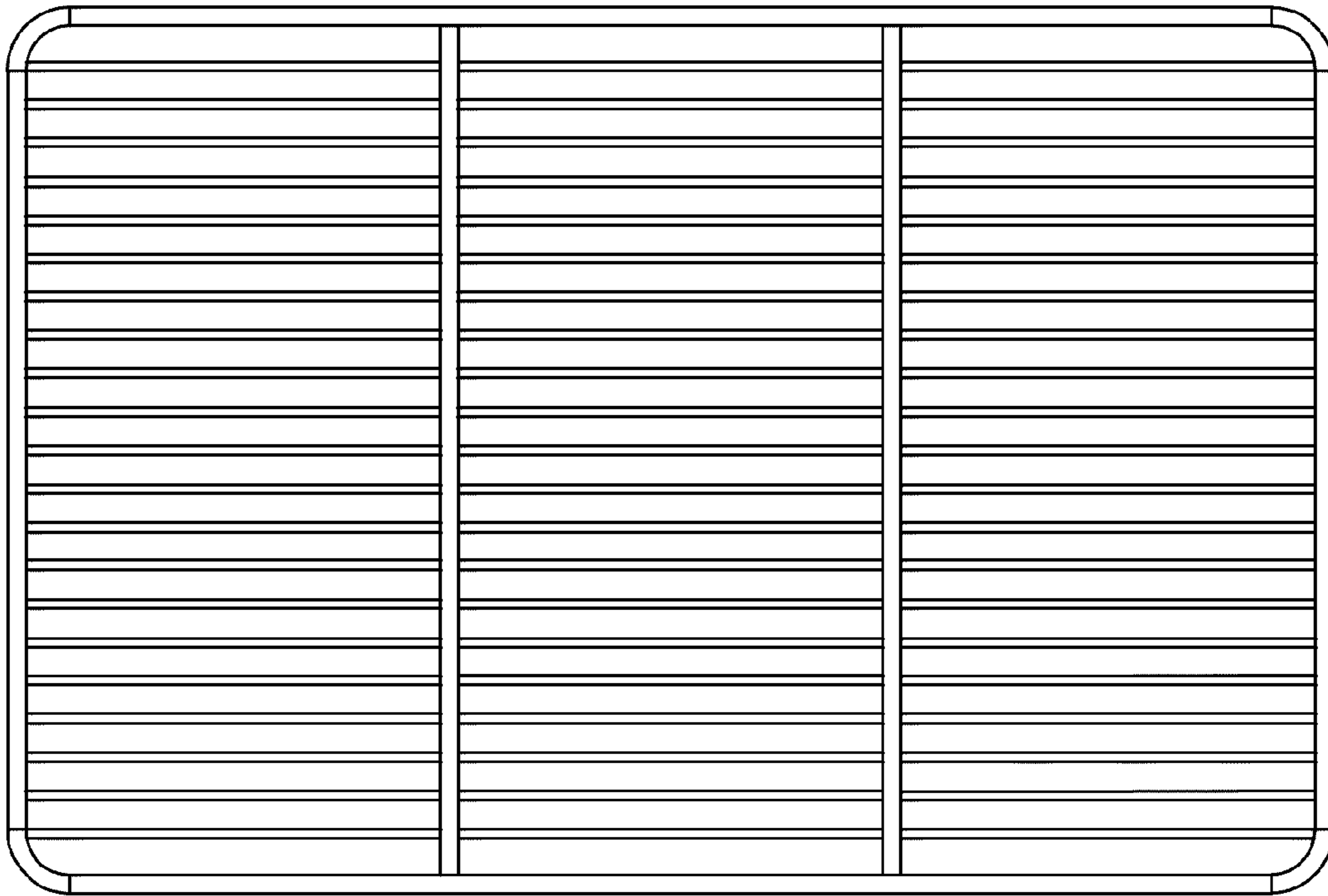


FIG. 4

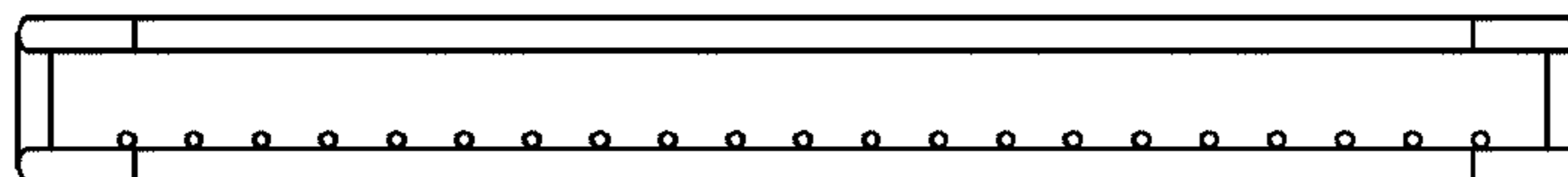


FIG. 5