



US00D650225S

(12) **United States Design Patent**
Bartol et al.

(10) **Patent No.:** **US D650,225 S**

(45) **Date of Patent:** **** Dec. 13, 2011**

(54) **GUARD FOR A LIGHTING APPARATUS**

(75) Inventors: **Anthony J. Bartol**, Plymouth, WI (US);
Neal R. Verfuerrth, Plymouth, WI (US)

(73) Assignee: **Orion Energy Systems, Inc.**,
Manitowoc, WI (US)

(**) **Term:** **14 Years**

(21) **Appl. No.:** **29/343,499**

(22) **Filed:** **Sep. 14, 2009**

(51) **LOC (9) Cl.** **07-02**

(52) **U.S. Cl.** **D7/409; D7/354**

(58) **Field of Classification Search** D6/462,
D6/465, 509-511, 574; D7/323, 329-339,
D7/346-347, 350.1-350.4, 354-363, 388,
D7/391, 393, 395, 402, 408-409, 538, 542,
D7/587, 624.1, 667, 672; 99/324-325, 331-332,
99/337-340, 369, 403-418, 422-425, 444-450;
119/161, 166, 463; 126/9 B, 25 A, 25 R,
126/30, 41 R, 275 R, 380.1, 390.1, 506;
206/501-505, 507-508; 219/400, 405, 435-442,
219/620-624, 725, 730-735; 220/4.03, 485-491,
220/573.1-573.5, 759, 769, 912; 422/302;
426/438, 441, 523

See application file for complete search history.

(56) **References Cited**

U.S. PATENT DOCUMENTS

298,339 A * 5/1884 Bender 220/4.03
790,337 A 5/1905 Adams
896,708 A * 8/1908 Bruce 99/417
D123,825 S 12/1940 Trilling
D130,996 S 1/1942 Chidsey, Jr.
2,304,445 A 12/1942 Doane
2,403,240 A 7/1946 Sawin
2,448,236 A 8/1948 Schneiderman et al.
2,467,337 A * 4/1949 Schnell 422/302

2,636,977 A 4/1953 Foster
2,687,516 A 8/1954 Schneiderman
2,732,096 A * 1/1956 Siciliano 220/769

(Continued)

FOREIGN PATENT DOCUMENTS

JP 3-159612 A 7/1991

OTHER PUBLICATIONS

U.S. Appl. No. 12/559,240, filed Sep. 14, 2009, Bartol et al.

(Continued)

Primary Examiner — Ricky Pham

(74) *Attorney, Agent, or Firm* — Foley & Lardner LLP

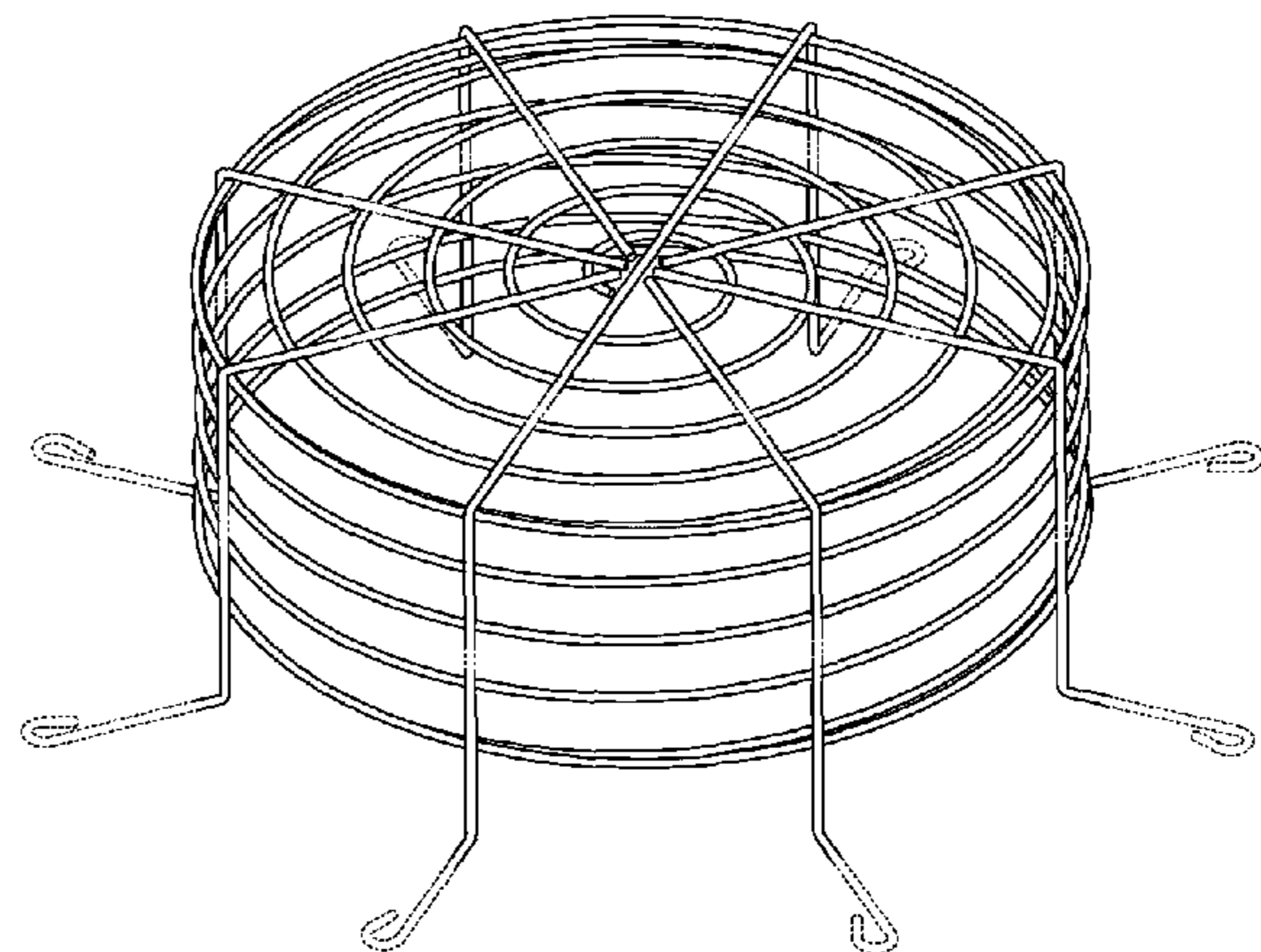
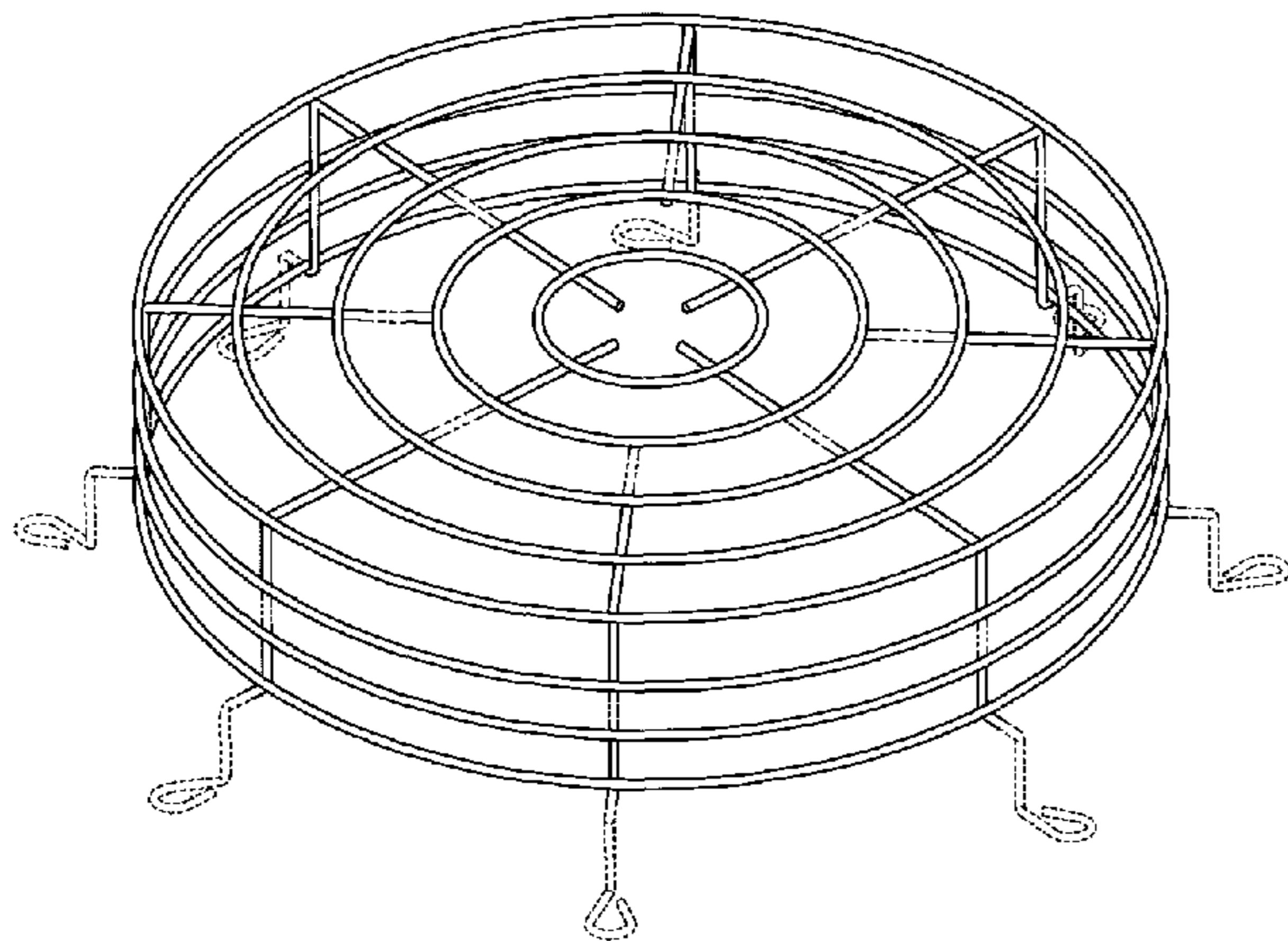
(57) **CLAIM**

We claim the ornamental design for a guard for a lighting apparatus, as shown and described.

DESCRIPTION

FIG. 1 is a bottom perspective view of an embodiment of the claimed design;
FIG. 2 is a bottom view of FIG. 1;
FIG. 3 is a top view of FIG. 1;
FIG. 4 is a front view of FIG. 1;
FIG. 5 is a back view of FIG. 1;
FIG. 6 is a right side elevation view of FIG. 1;
FIG. 7 is a left side elevation view of FIG. 1;
FIG. 8 is a bottom perspective view of another embodiment of the claimed design;
FIG. 9 is a bottom view of FIG. 8;
FIG. 10 is an top view of FIG. 8;
FIG. 11 is a front view of FIG. 8;
FIG. 12 is a back view of FIG. 8;
FIG. 13 is a right side elevation view of FIG. 8; and,
FIG. 14 is a left side elevation view of FIG. 8.
The broken lines in the drawings are for illustrative purposes only and form no part of the claimed design.

1 Claim, 10 Drawing Sheets



US D650,225 S

Page 2

U.S. PATENT DOCUMENTS

3,172,608	A	3/1965	Ausman		
3,194,958	A	7/1965	Schneiderman		
3,210,538	A	10/1965	Picha et al.		
3,301,172	A *	1/1967	Longo	99/446	
3,305,102	A	2/1967	Saphirstein		
3,337,035	A	8/1967	Pennybacker		
3,347,404	A *	10/1967	McIntyre	220/486	
3,935,560	A	1/1976	Dorn		
D246,827	S	1/1978	Crawford		
4,101,107	A	7/1978	Antoszewski		
4,229,780	A	10/1980	Nelson		
4,387,417	A	6/1983	Plemmons et al.		
D277,922	S *	3/1985	Bentson	D7/672	
4,514,793	A	4/1985	Andreasen		
D283,786	S	5/1986	Chap		
4,779,293	A	10/1988	Dabney et al.		
D299,300	S *	1/1989	Lie	D7/672	
D300,804	S	4/1989	Myers		
5,001,614	A	3/1991	Buss		
D317,858	S	7/1991	Hoskinson et al.		
5,075,832	A	12/1991	Pace		
5,193,903	A	3/1993	Anisfield		
5,195,424	A *	3/1993	Guajaca	99/418	
D339,266	S *	9/1993	Lockett	D7/409	
5,369,558	A	11/1994	Munz		
D371,719	S *	7/1996	Perry	D7/388	
5,690,425	A	11/1997	Knoll, Jr.		
D393,132	S	3/1998	Baker		
D442,020	S *	5/2001	Pierick	D7/359	
6,254,049	B1	7/2001	Goehly		
6,530,681	B2	3/2003	Sieczkowski		
6,644,836	B1	11/2003	Adams		
7,563,006	B1	7/2009	Verfuerth et al.		
7,918,361	B2 *	4/2011	Geis	220/488	
2002/0008975	A1	1/2002	Uedono et al.		
2002/0172049	A1	11/2002	Yueh		
2003/0179577	A1	9/2003	Marsh		
2009/0299811	A1	12/2009	Verfuerth et al.		
2009/0315485	A1	12/2009	Verfuerth et al.		

OTHER PUBLICATIONS

U.S. Appl. No. 29/342,679, filed Aug. 28, 2009, Verfuerth et al.
U.S. Appl. No. 29/342,678, filed Aug. 28, 2009, Verfuerth et al.
“Metal Scan Plates & Accessories,” product listing, LDB Manufacturing Inc., 2002, 1 page.

* cited by examiner

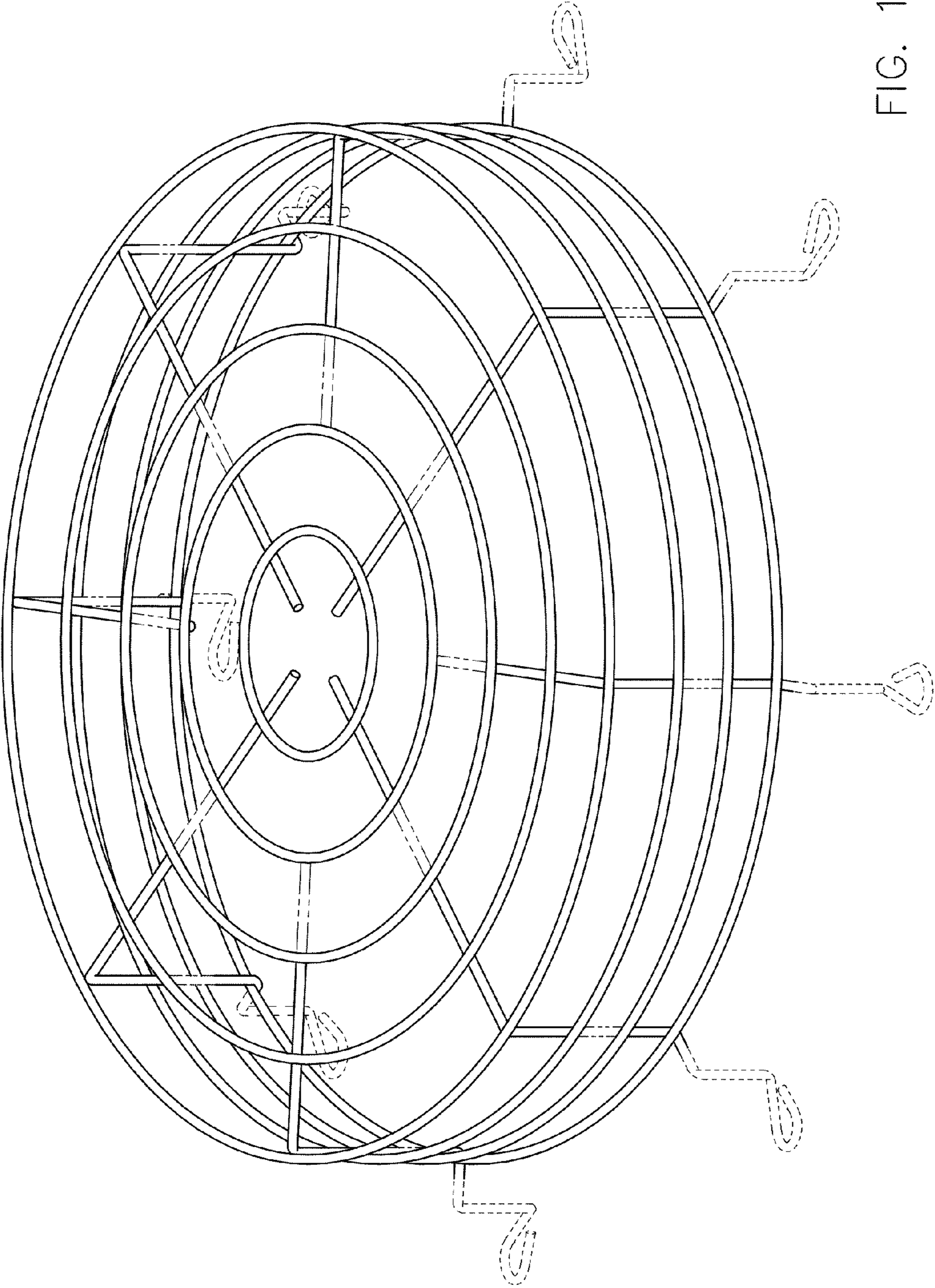


FIG. 1

FIG. 2

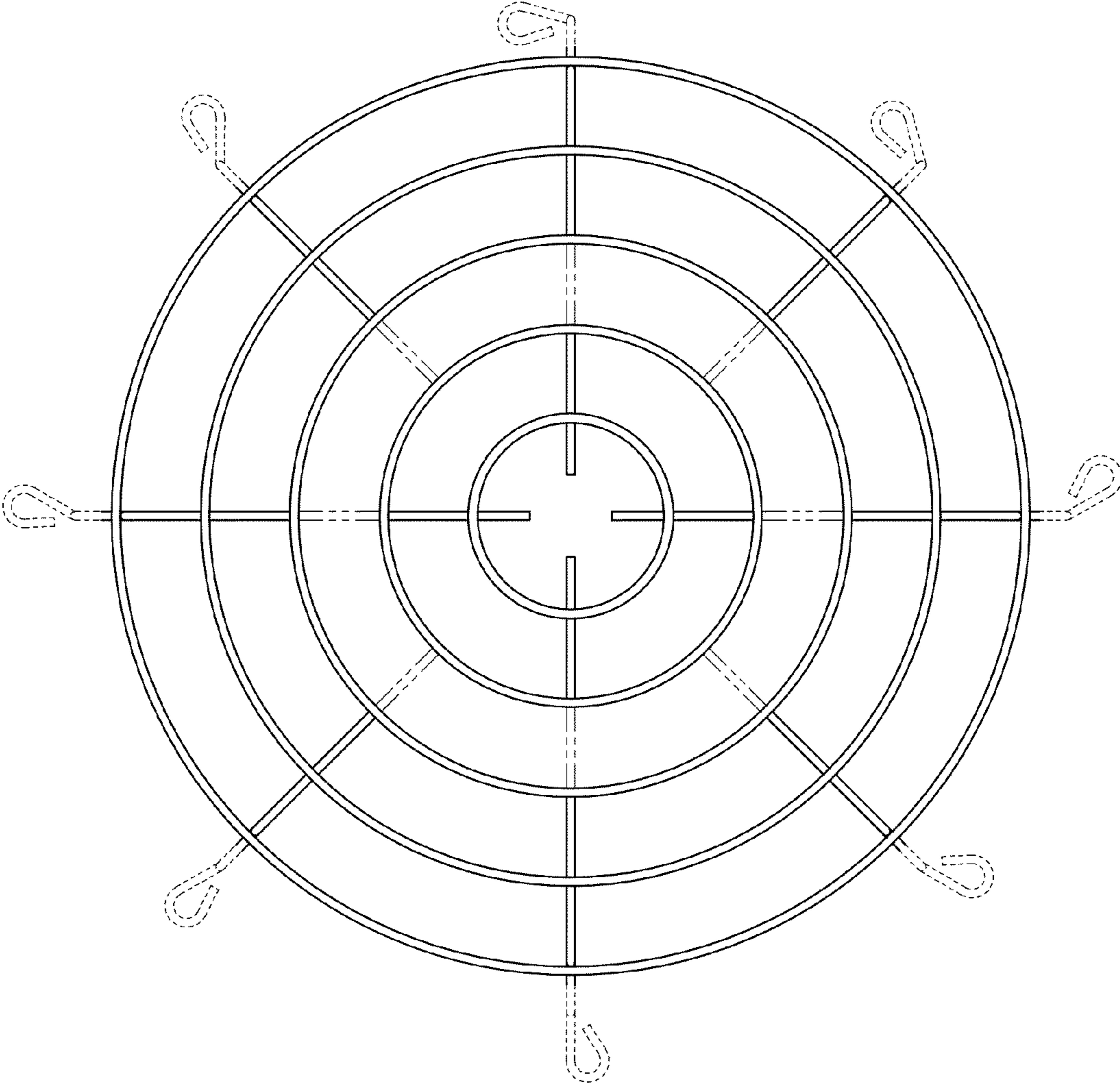


FIG. 3

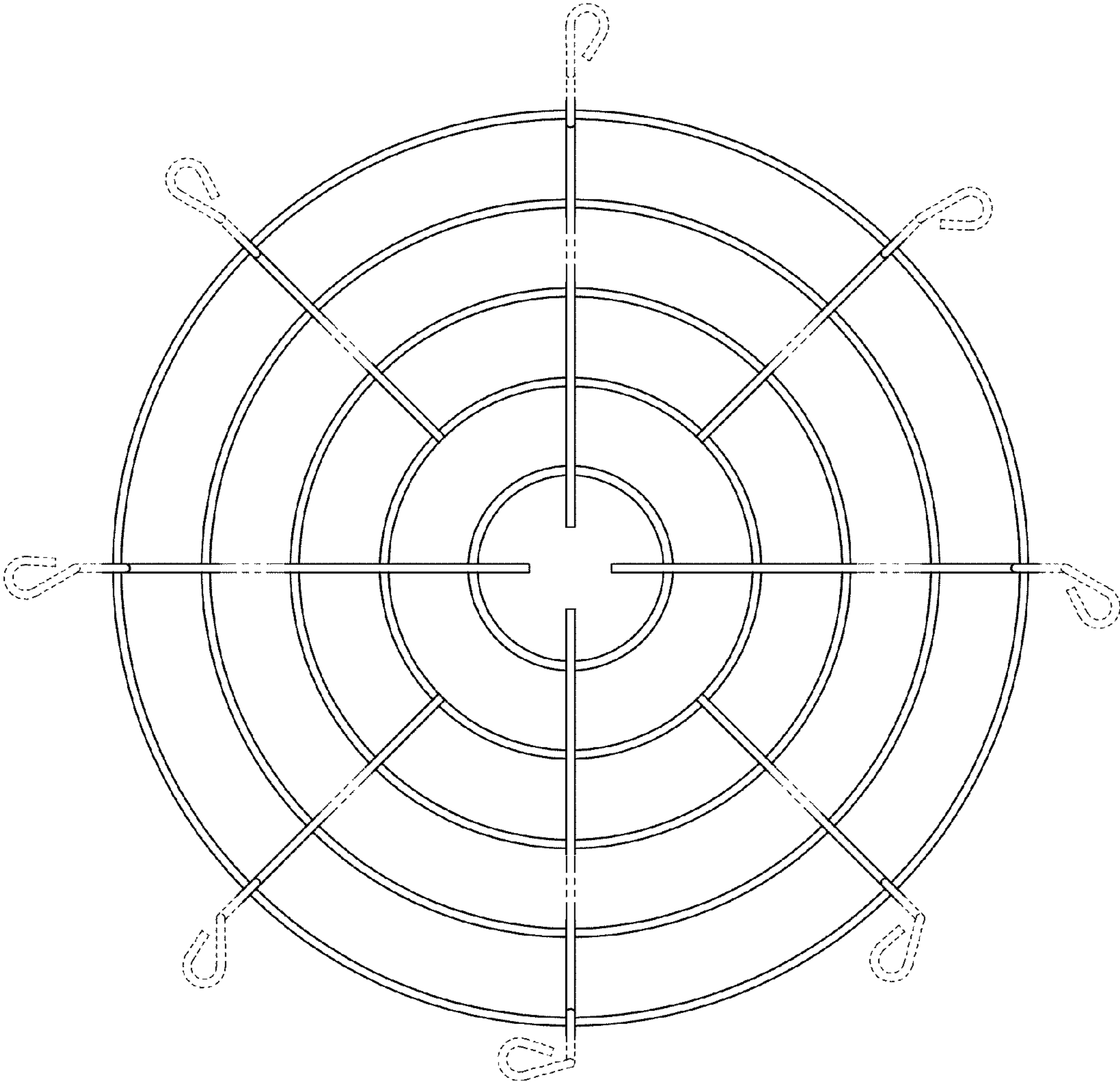


FIG. 4

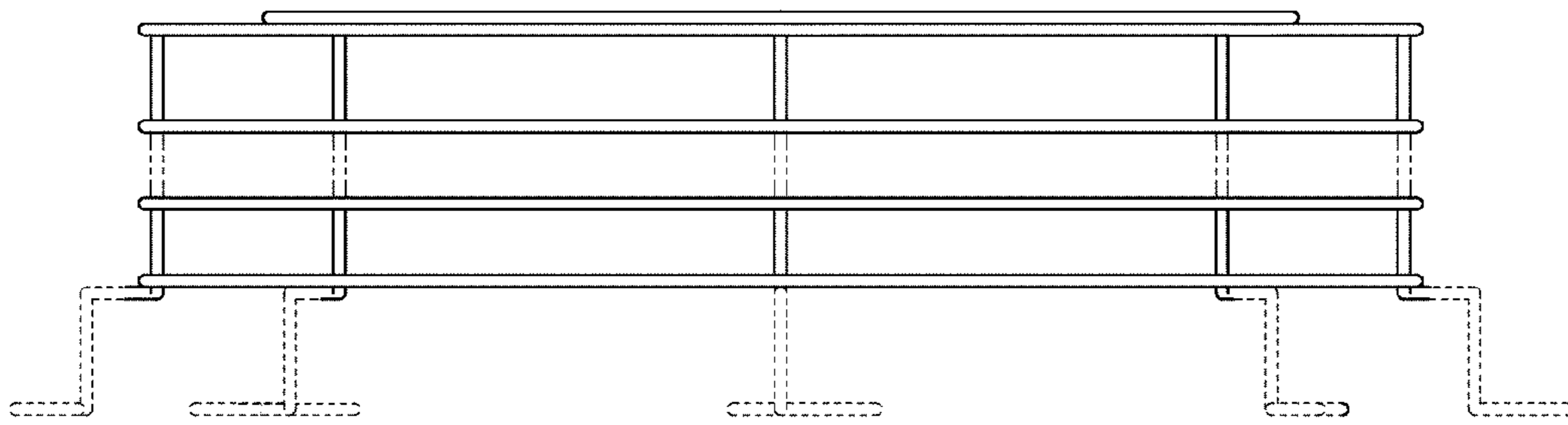


FIG. 5

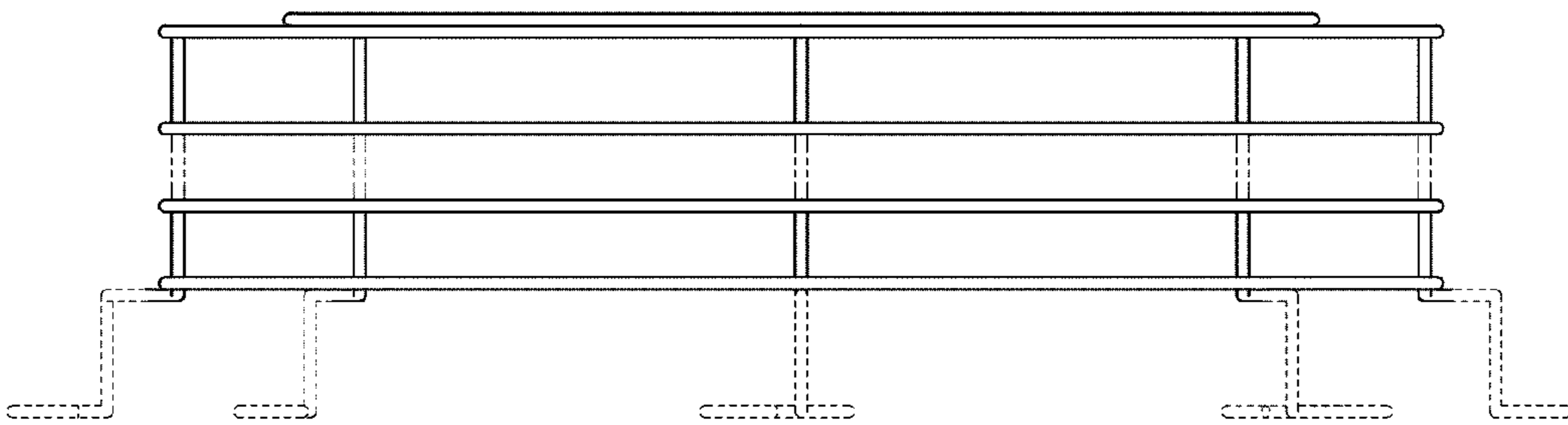


FIG. 6

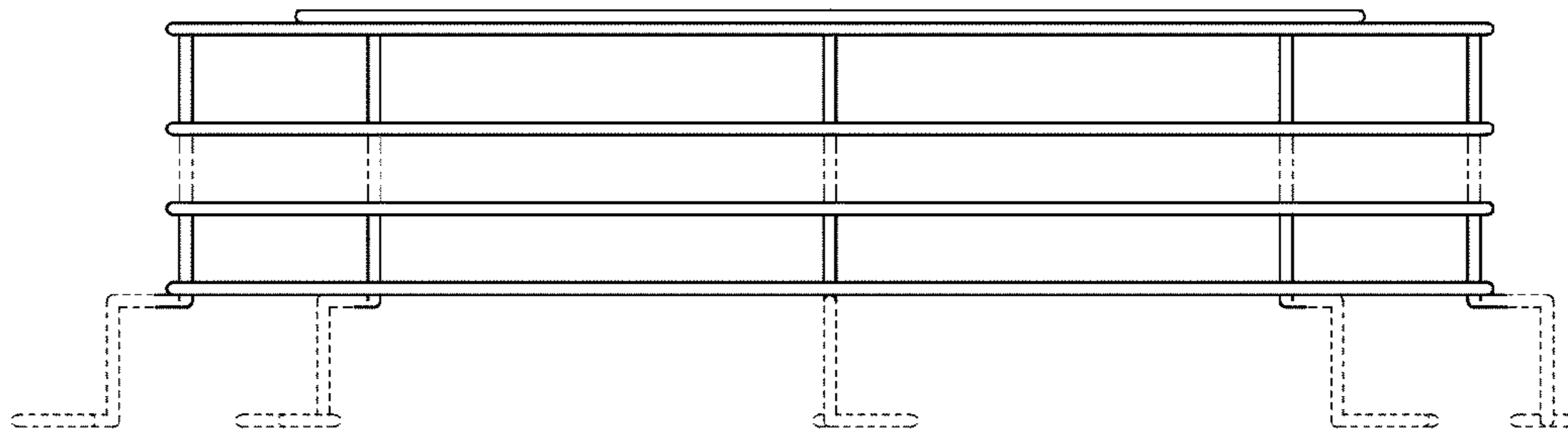


FIG. 7

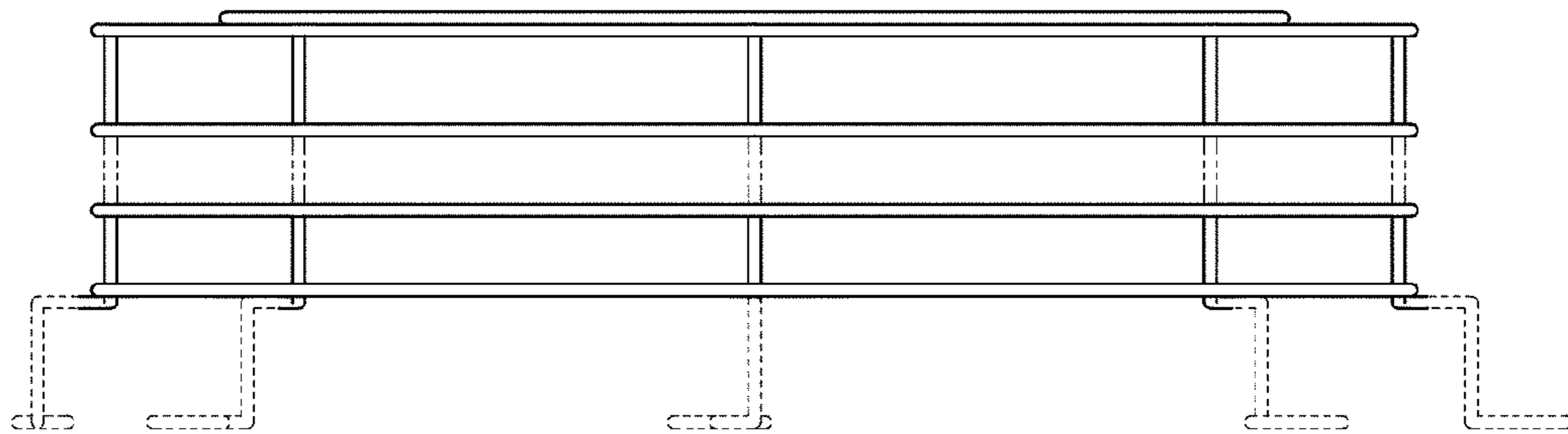


FIG. 8

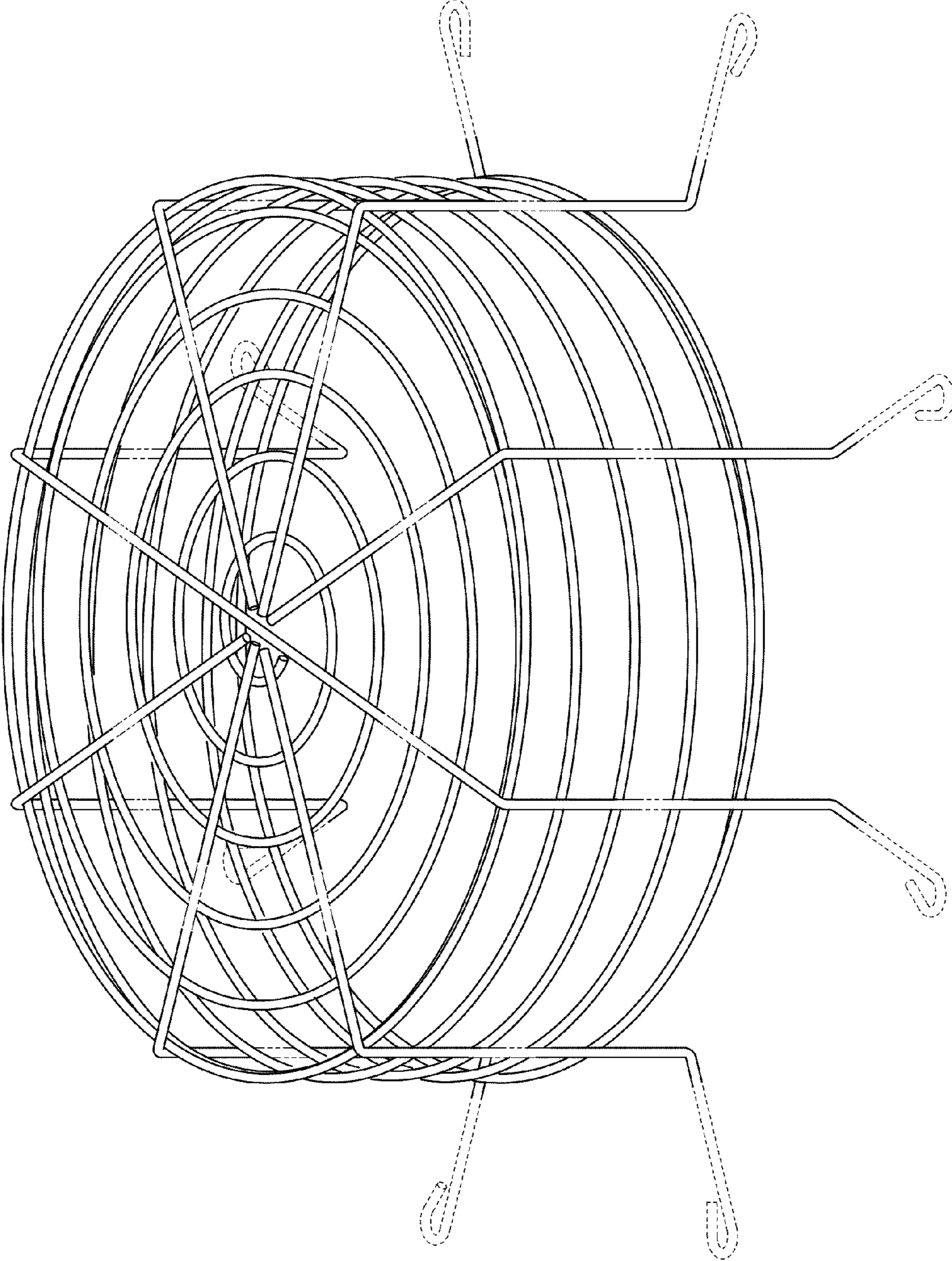


FIG. 9

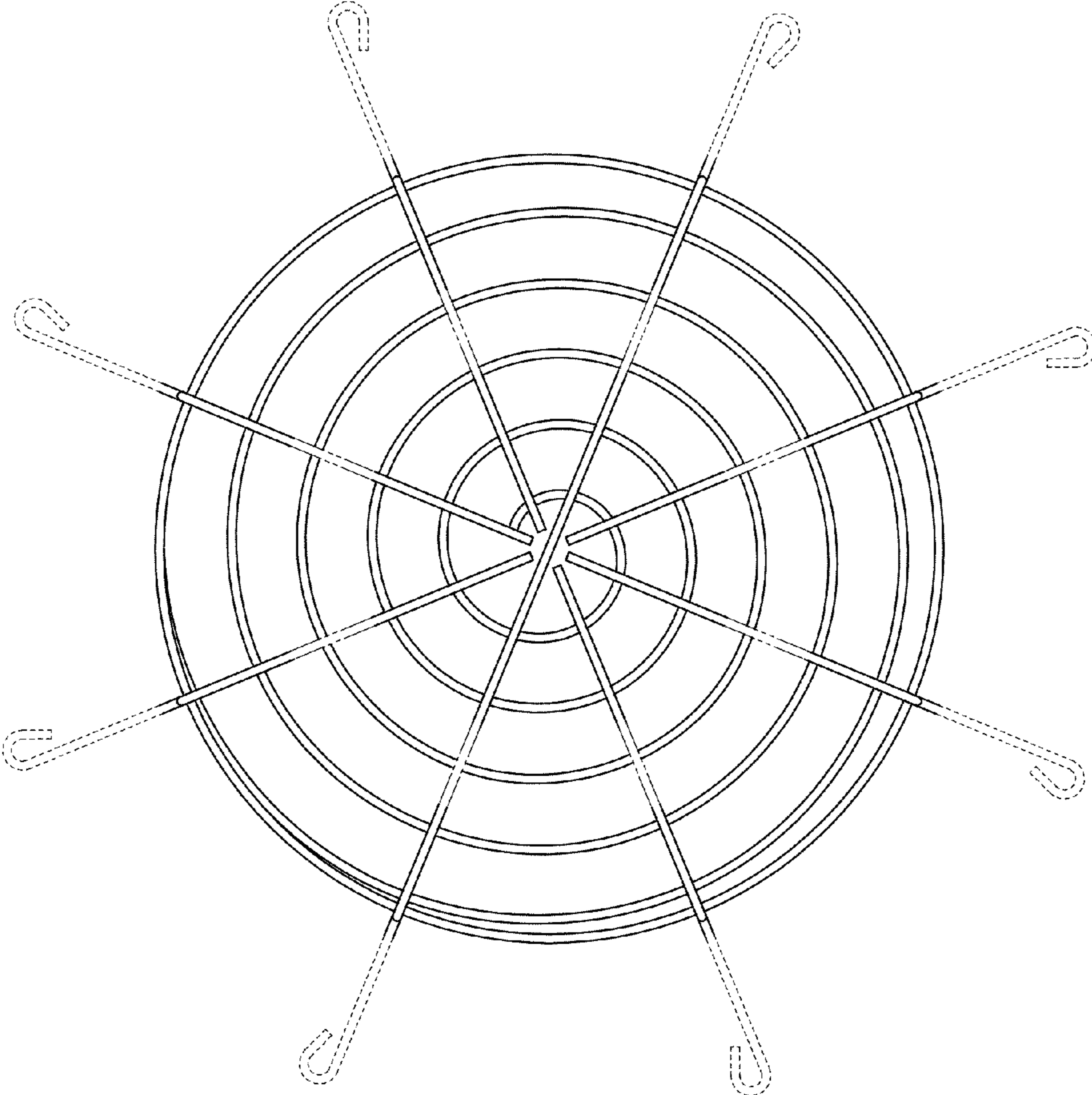


FIG. 10

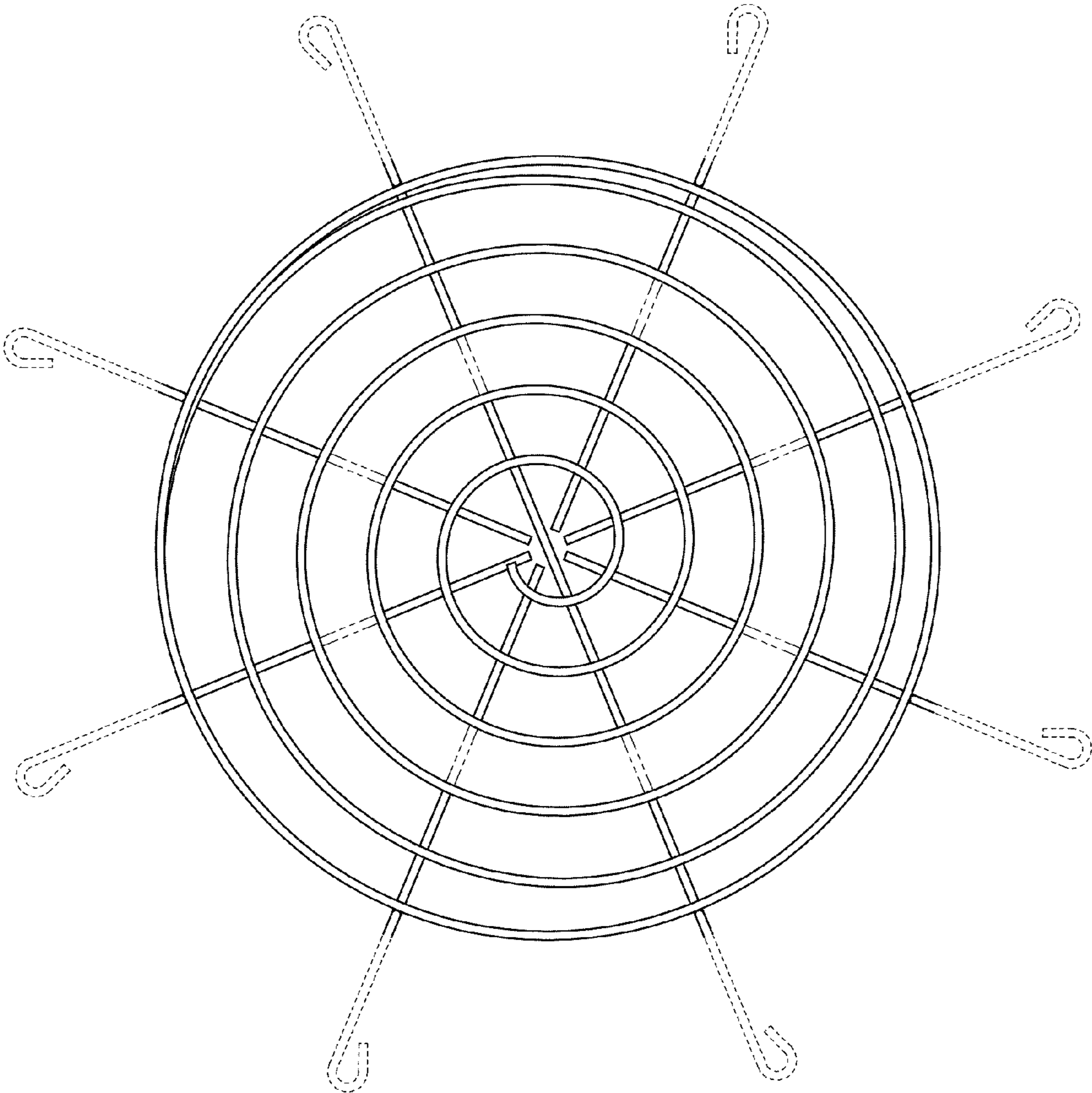


FIG. 11

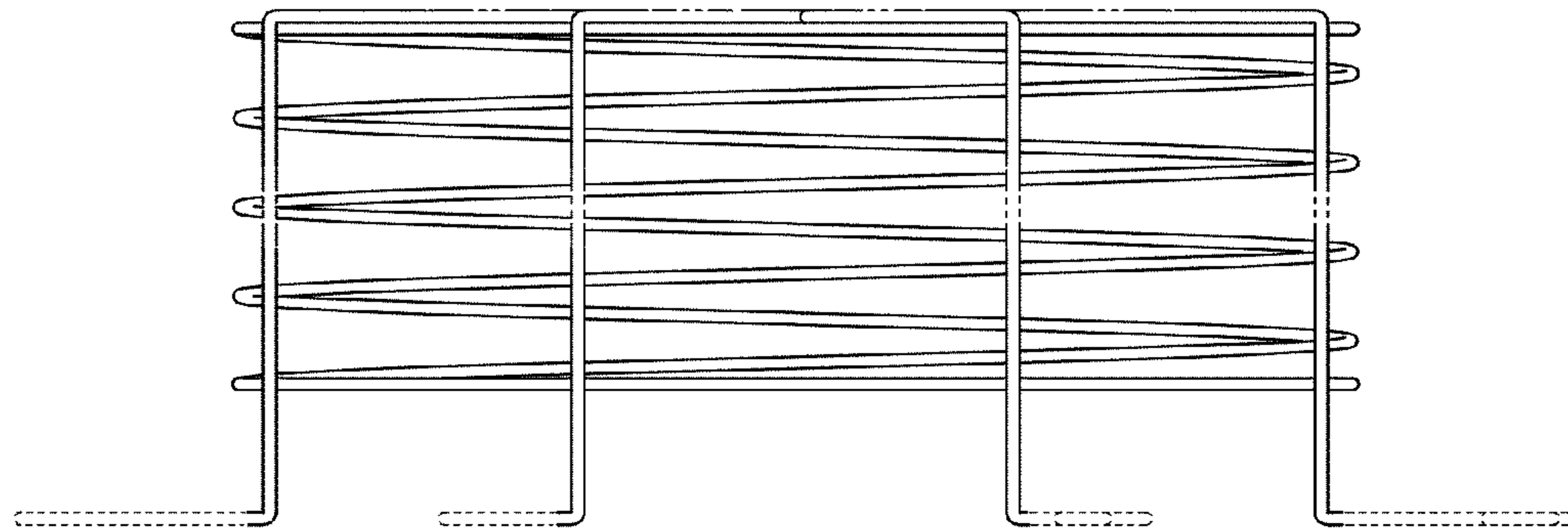


FIG. 12

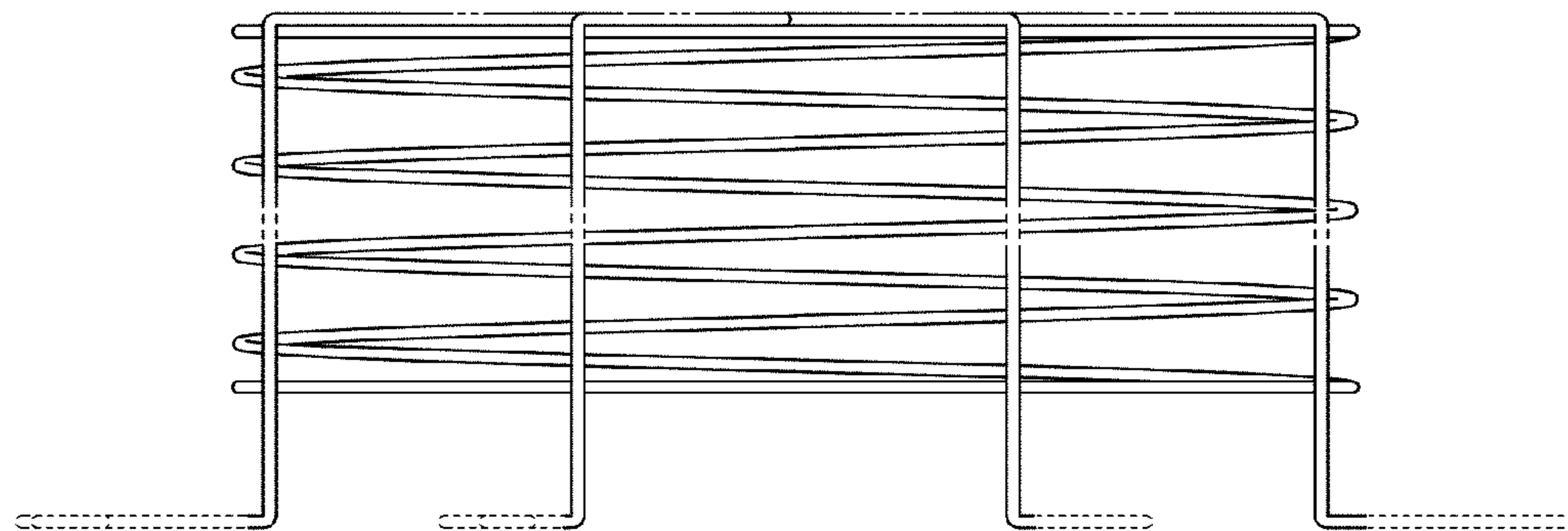


FIG. 13

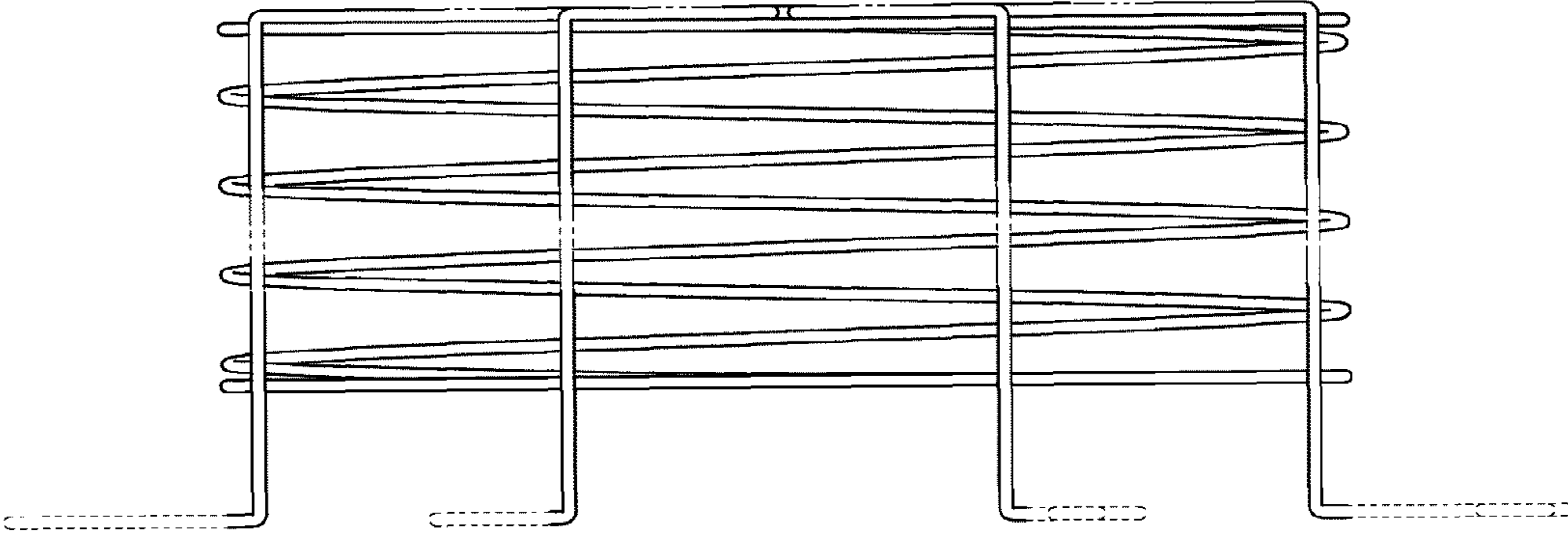


FIG. 14

