



US00D650224S

(12) **United States Design Patent**
Miller et al.

(10) **Patent No.:** **US D650,224 S**

(45) **Date of Patent:** **** Dec. 13, 2011**

(54) **GRILL**

(75) Inventors: **Randy Scott Miller**, Margate, FL (US);
Francisco Javier Barquin Santillan,
Pembroke Pines, FL (US)

(73) Assignee: **Applica Consumer Products, Inc.**,
Miramar, FL (US)

(**) Term: **14 Years**

(21) Appl. No.: **29/393,652**

(22) Filed: **Jun. 7, 2011**

(51) **LOC (9) Cl.** **07-02**

(52) **U.S. Cl.** **D7/402; D7/337**

(58) **Field of Classification Search** D7/323,
D7/328-332, 334-341, 347-349, 352-363,
D7/609; 99/219, 331, 339-340, 349, 369,
99/372-375, 385-386, 389, 425, 444, 446,
99/466, 601; 219/524-525, 620-622, 732-734;
126/25 R

See application file for complete search history.

(56) **References Cited**

U.S. PATENT DOCUMENTS

D383,353 S *	9/1997	Piret	D7/352
D407,598 S *	4/1999	Deni et al.	D7/337
D413,759 S *	9/1999	Carrere	D7/352
D462,228 S *	9/2002	Wu	D7/352
D462,230 S *	9/2002	Wu	D7/352
D462,566 S *	9/2002	Wu	D7/352
D475,237 S *	6/2003	Lin	D7/352
D493,663 S *	8/2004	Lin et al.	D7/347
D494,407 S *	8/2004	Lin et al.	D7/347
D509,703 S *	9/2005	Barker	D7/352
D521,310 S *	5/2006	Lin	D7/352
D522,802 S *	6/2006	Dreimann et al.	D7/352
D526,154 S *	8/2006	Dreimann et al.	D7/352
D568,090 S *	5/2008	Lam	D7/352
D591,550 S *	5/2009	Lam	D7/337

D592,005 S *	5/2009	Richardson et al.	D7/337
D594,695 S *	6/2009	Lin	D7/360
D615,799 S *	5/2010	Best et al.	D7/337
D620,745 S *	8/2010	Lavy	D7/357
D622,538 S *	8/2010	Hoare et al.	D7/352
D630,883 S *	1/2011	Pang et al.	D7/352
D632,126 S *	2/2011	Tetreault	D7/352
D632,127 S *	2/2011	Whitcombe	D7/352
D634,969 S *	3/2011	De' Longhi	D7/352
D638,260 S *	5/2011	Lin	D7/402
2002/0153366 A1 *	10/2002	Glucksman et al.	219/450.1
2006/0150964 A1 *	7/2006	Chen	126/25 R

OTHER PUBLICATIONS

Color photos of selected George Foreman Grills, Applica Consumer Products, Inc; 14 color sheets; All designs made public prior to Jun. 7, 2011.

* cited by examiner

Primary Examiner — T. Chase Nelson

Assistant Examiner — Mark Cavanna

(74) *Attorney, Agent, or Firm* — Banner & Witcoff, Ltd.

(57) **CLAIM**

The ornamental design for a grill, as shown and described.

DESCRIPTION

FIG. 1 is a front perspective view of a grill showing our new design;

FIG. 2 is a front view thereof;

FIG. 3 is a rear view thereof;

FIG. 4 is a right side view thereof;

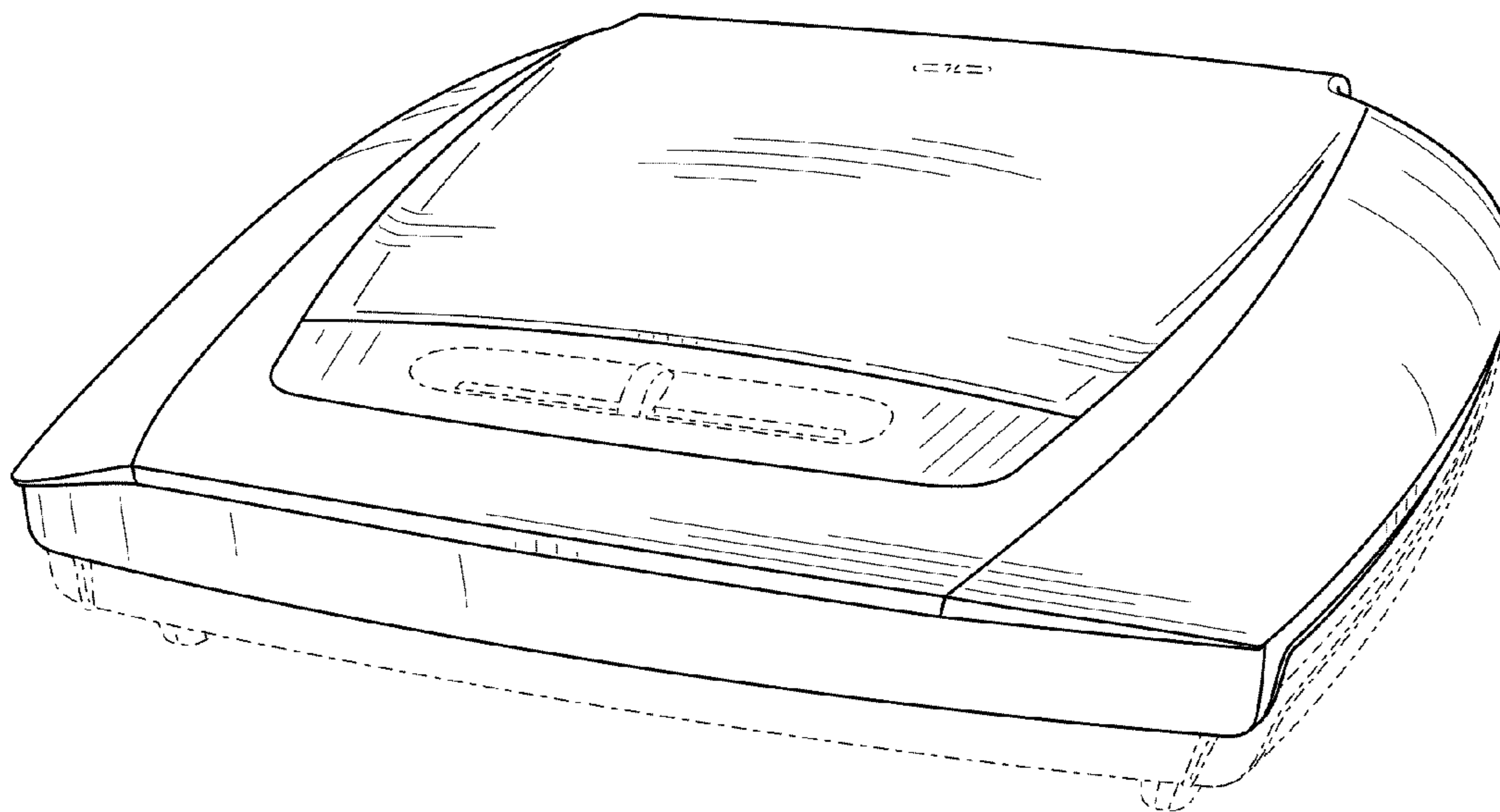
FIG. 5 is a left side view thereof;

FIG. 6 is a top view thereof; and,

FIG. 7 is a bottom view thereof.

The broken line showing of various elements of the grill in FIGS. 1-7 are for environmental purposes only and form no part of the claimed design.

1 Claim, 4 Drawing Sheets



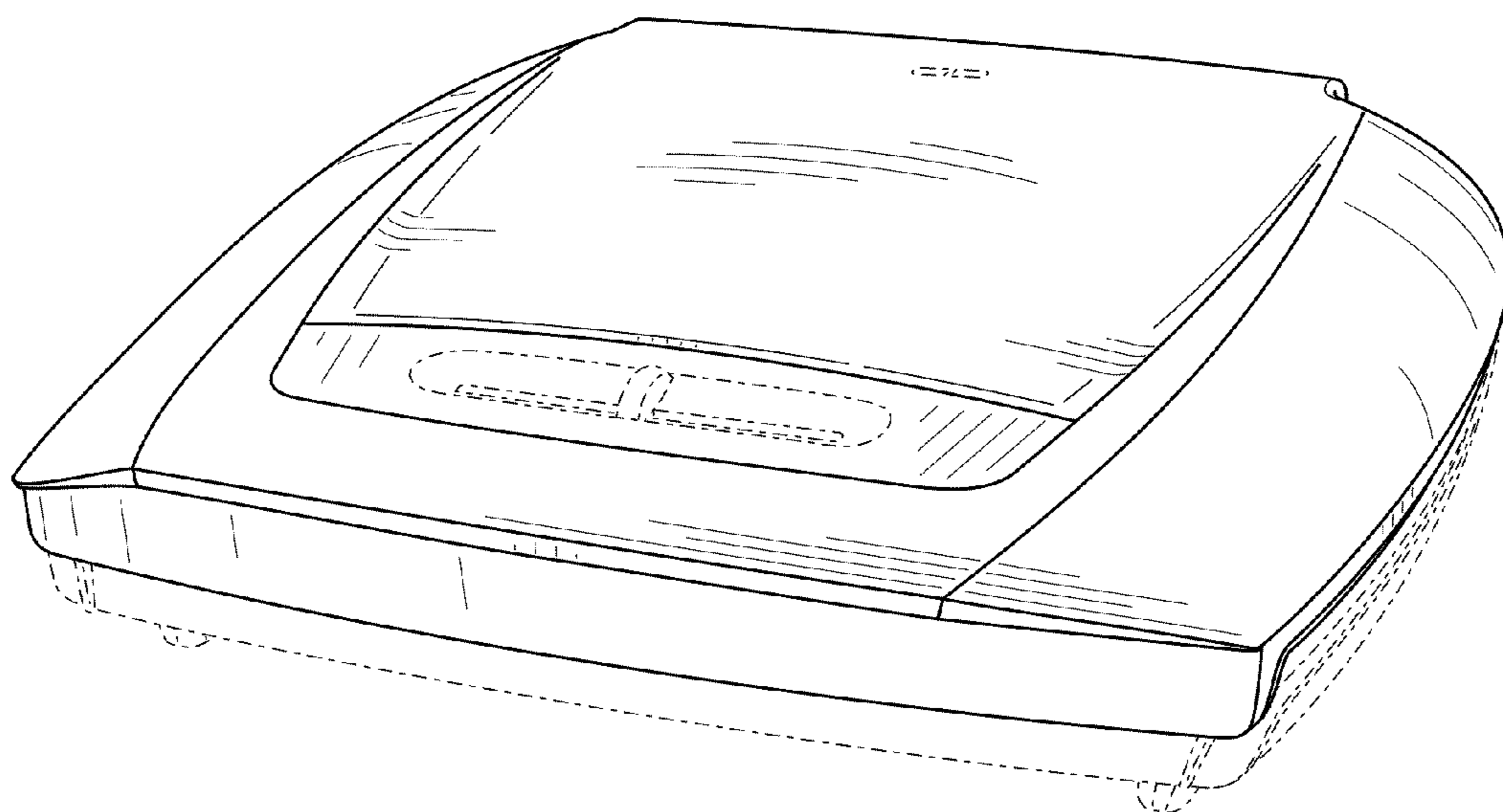


FIG. 1

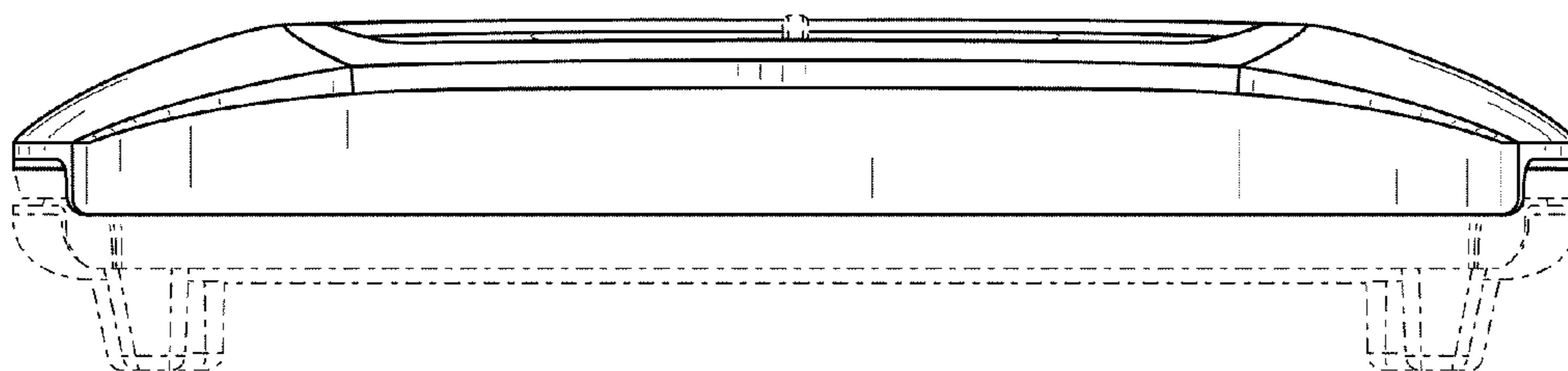


FIG. 2

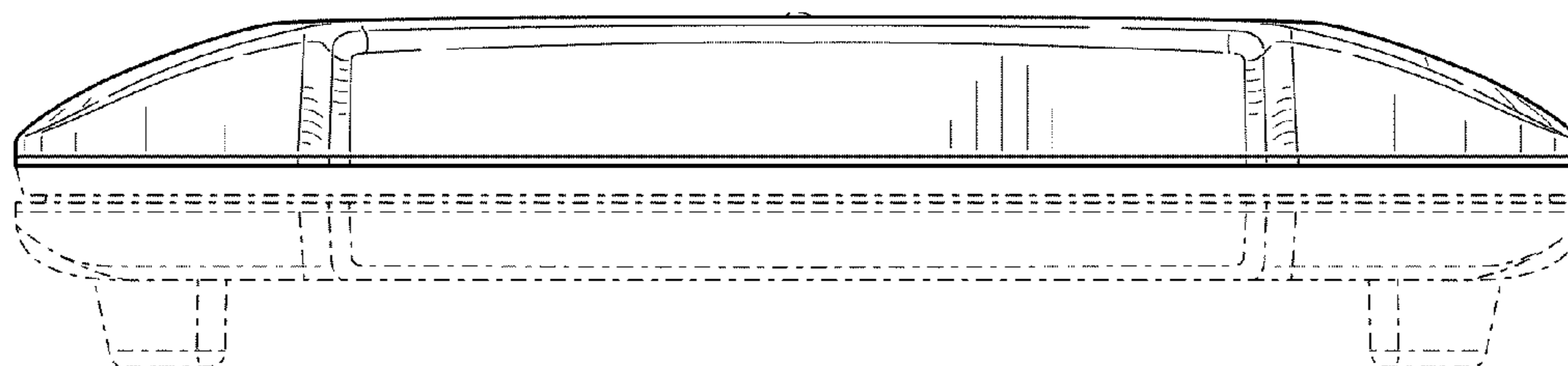


FIG. 3

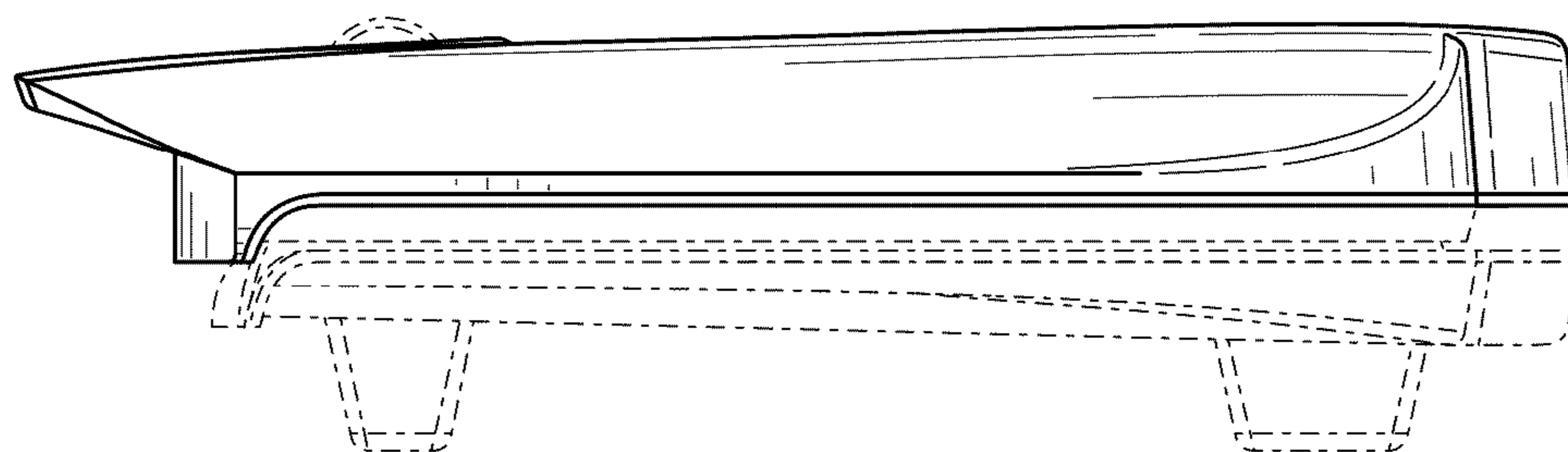


FIG. 4

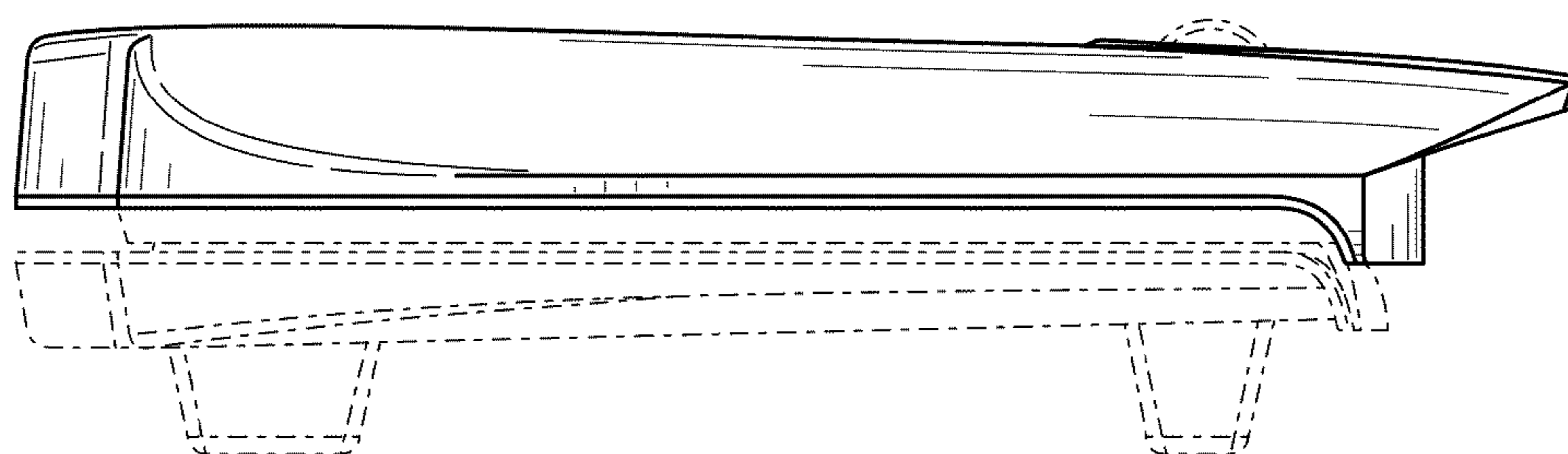


FIG. 5

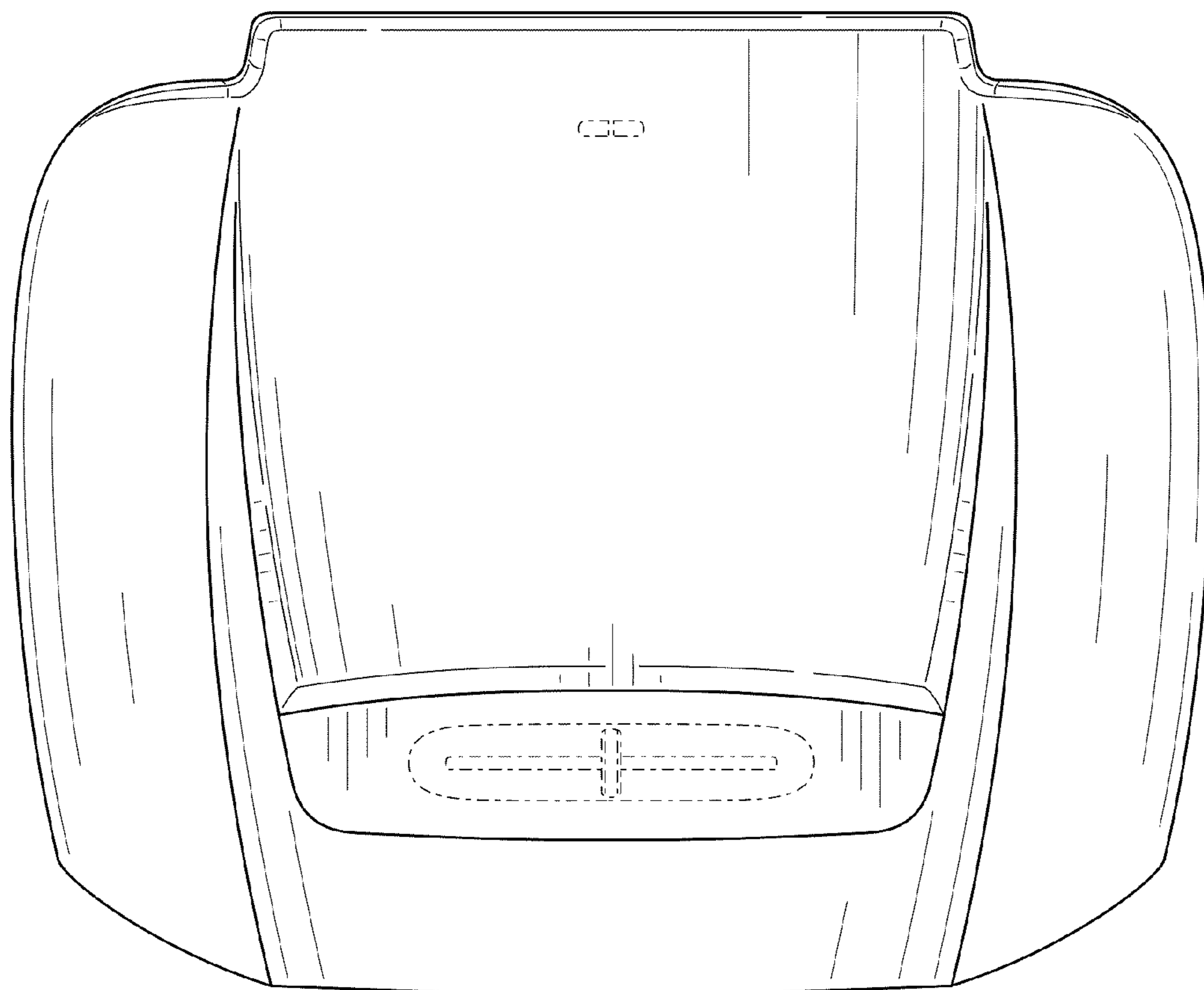


FIG. 6

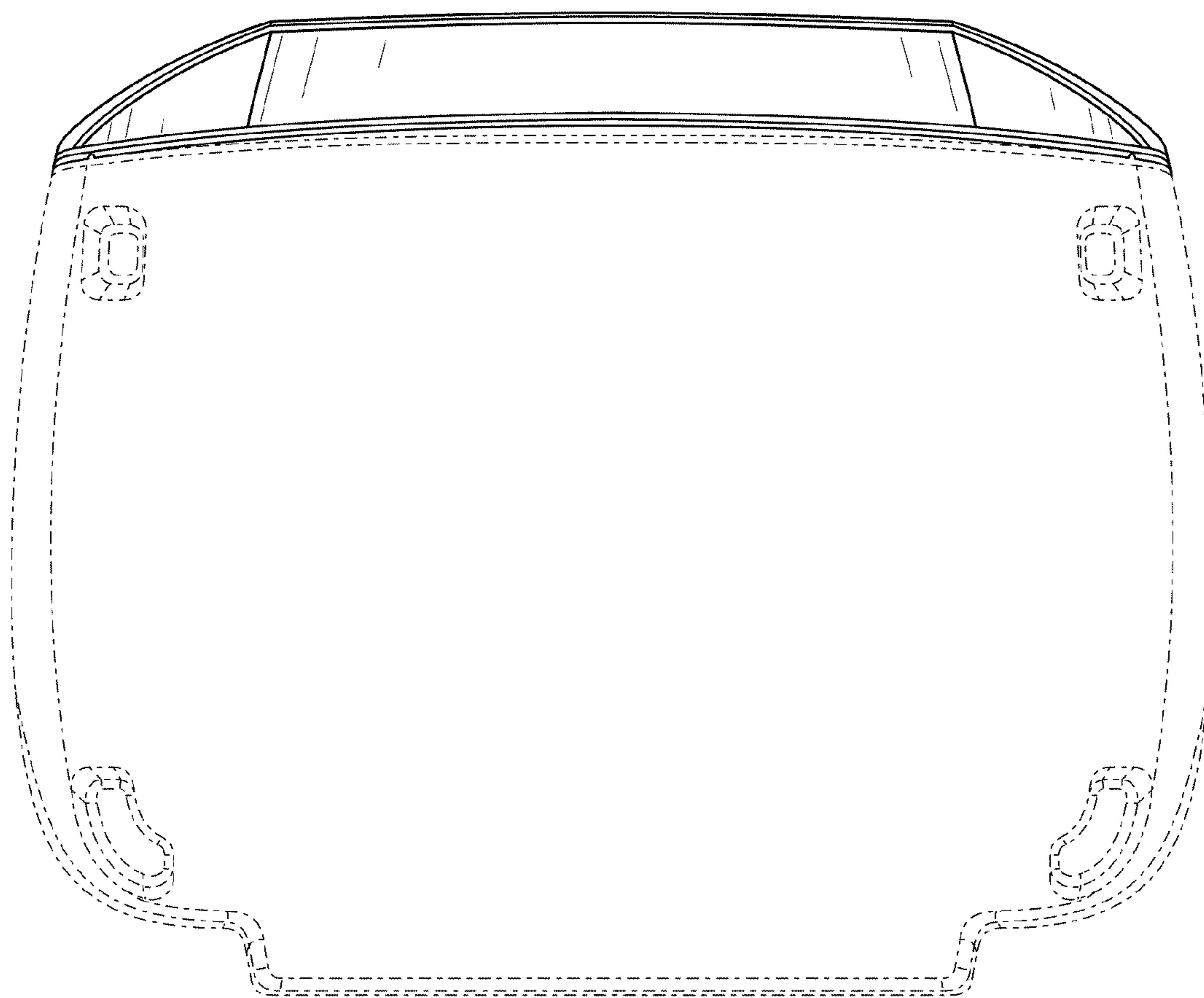


FIG. 7