



US00D650221S

(12) **United States Design Patent**
Miller et al.

(10) **Patent No.:** **US D650,221 S**

(45) **Date of Patent:** **** Dec. 13, 2011**

(54) **GRILL**
(75) Inventors: **Randy Scott Miller**, Margate, FL (US);
Francisco Javier Barquin Santillan,
Pembroke Pines, FL (US)
(73) Assignee: **Applica Consumer Products, Inc.**,
Miramar, FL (US)
(**) Term: **14 Years**

D592,005 S * 5/2009 Richardson et al. D7/337
D594,695 S * 6/2009 Lin D7/360
D615,799 S * 5/2010 Best et al. D7/337
D620,745 S * 8/2010 Lavy D7/357
D622,538 S * 8/2010 Hoare et al. D7/352
D630,883 S * 1/2011 Pang et al. D7/352
D632,126 S * 2/2011 Tetreault D7/352
D632,127 S * 2/2011 Whitcombe D7/352
D634,969 S * 3/2011 De' Longhi D7/352
D638,260 S * 5/2011 Lin D7/402
2002/0153366 A1 * 10/2002 Glucksman et al. 219/450.1
2006/0150964 A1 * 7/2006 Chen 126/25 R

(21) Appl. No.: **29/393,649**

(22) Filed: **Jun. 7, 2011**

(51) **LOC (9) Cl.** **07-02**

(52) **U.S. Cl.** **D7/402; D7/337**

(58) **Field of Classification Search** D7/323,
D7/328-332, 334-341, 347-349, 352-363,
D7/609; 99/219, 331, 339-340, 349, 369,
99/372-375, 385-386, 389, 425, 444, 446,
99/466, 601; 219/524-525, 620-622, 732-734;
126/25 R

See application file for complete search history.

(56) **References Cited**

U.S. PATENT DOCUMENTS

D383,353 S * 9/1997 Piret D7/352
D407,598 S * 4/1999 Deni et al. D7/337
D413,759 S * 9/1999 Carrere D7/352
D462,228 S * 9/2002 Wu D7/352
D462,230 S * 9/2002 Wu D7/352
D462,566 S * 9/2002 Wu D7/352
D475,237 S * 6/2003 Lin D7/352
D493,663 S * 8/2004 Lin et al. D7/347
D494,407 S * 8/2004 Lin et al. D7/347
D509,703 S * 9/2005 Barker D7/352
D521,310 S * 5/2006 Lin D7/352
D522,802 S * 6/2006 Dreimann et al. D7/352
D526,154 S * 8/2006 Dreimann et al. D7/352
D568,090 S * 5/2008 Lam D7/352
D591,550 S * 5/2009 Lam D7/337

OTHER PUBLICATIONS

Color photos of selected George Foreman Grills, Applica Consumer Products, Inc; 14 color sheets; All designs made public prior to Jun. 7, 2011.

* cited by examiner

Primary Examiner — T. Chase Nelson

Assistant Examiner — Mark Cavanna

(74) *Attorney, Agent, or Firm* — Banner & Witcoff, Ltd.

(57) **CLAIM**

The ornamental design for a grill, as shown and described.

DESCRIPTION

FIG. 1 is a front perspective view of a grill showing our new design;

FIG. 2 is a front view thereof;

FIG. 3 is a rear view thereof;

FIG. 4 is a right side view thereof;

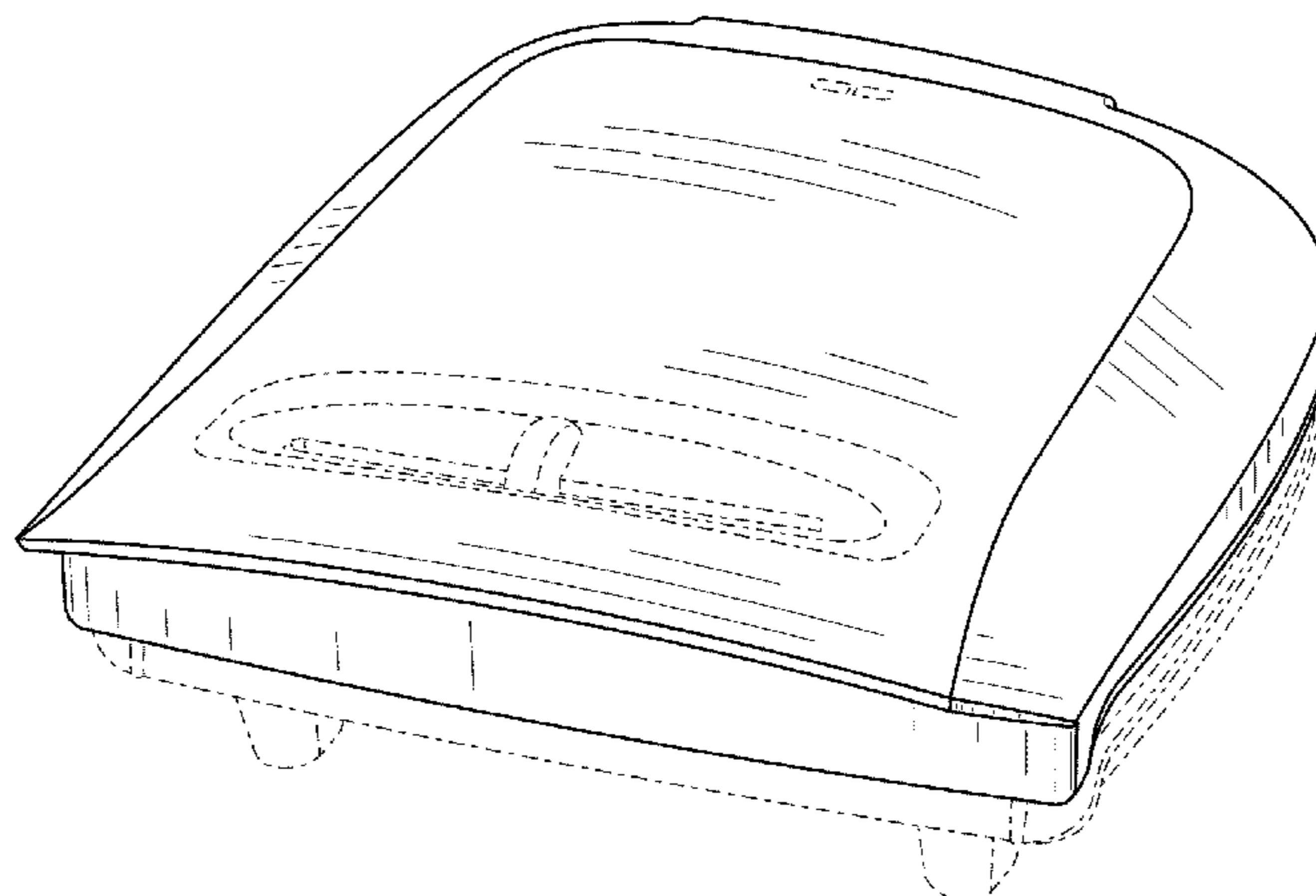
FIG. 5 is a left side view thereof;

FIG. 6 is a top view thereof; and,

FIG. 7 is a bottom view thereof.

The broken line showing of various elements of the grill in FIGS. 1-7 are environmental purposes only and form no part of the claimed design.

1 Claim, 4 Drawing Sheets



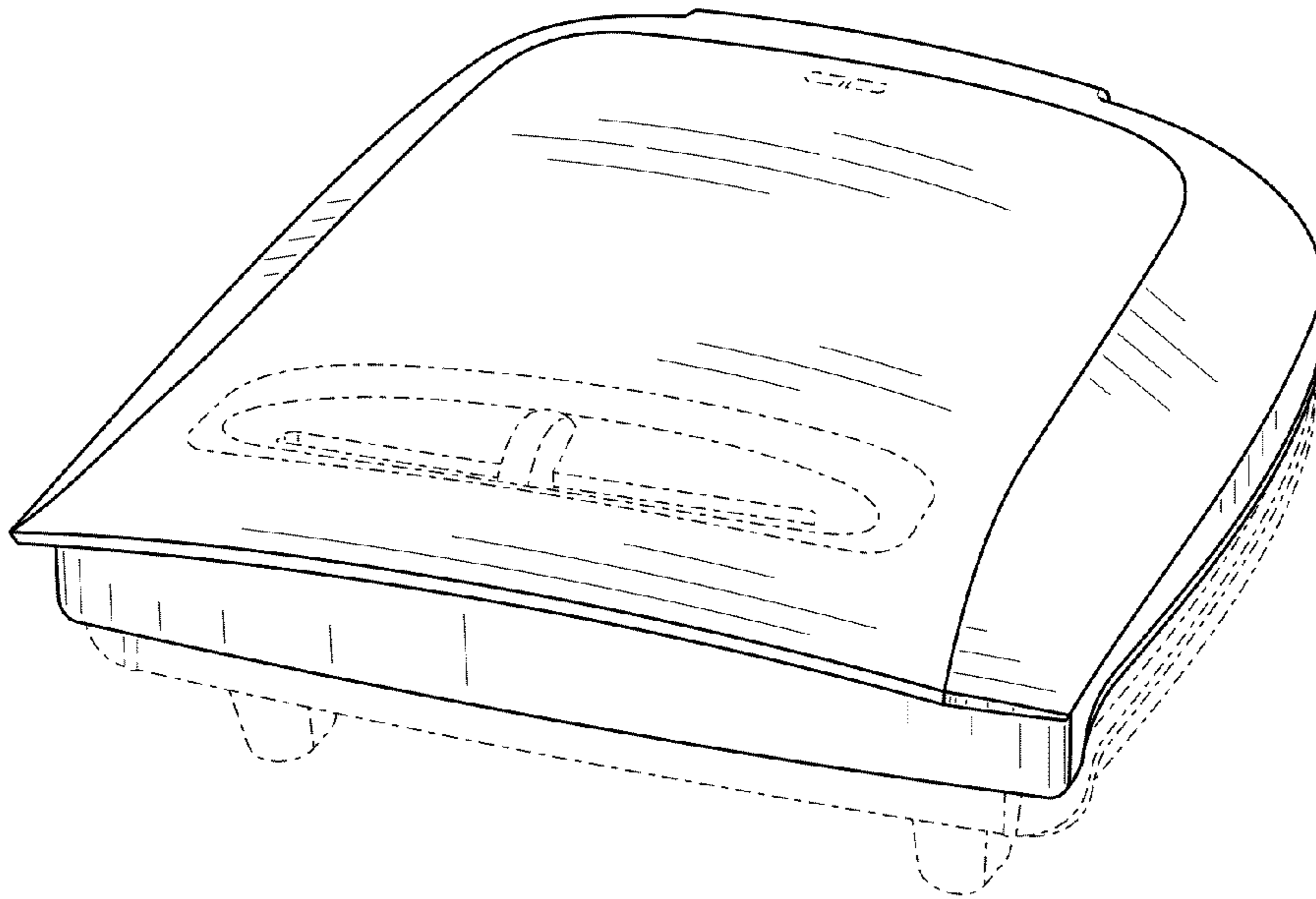


FIG. 1

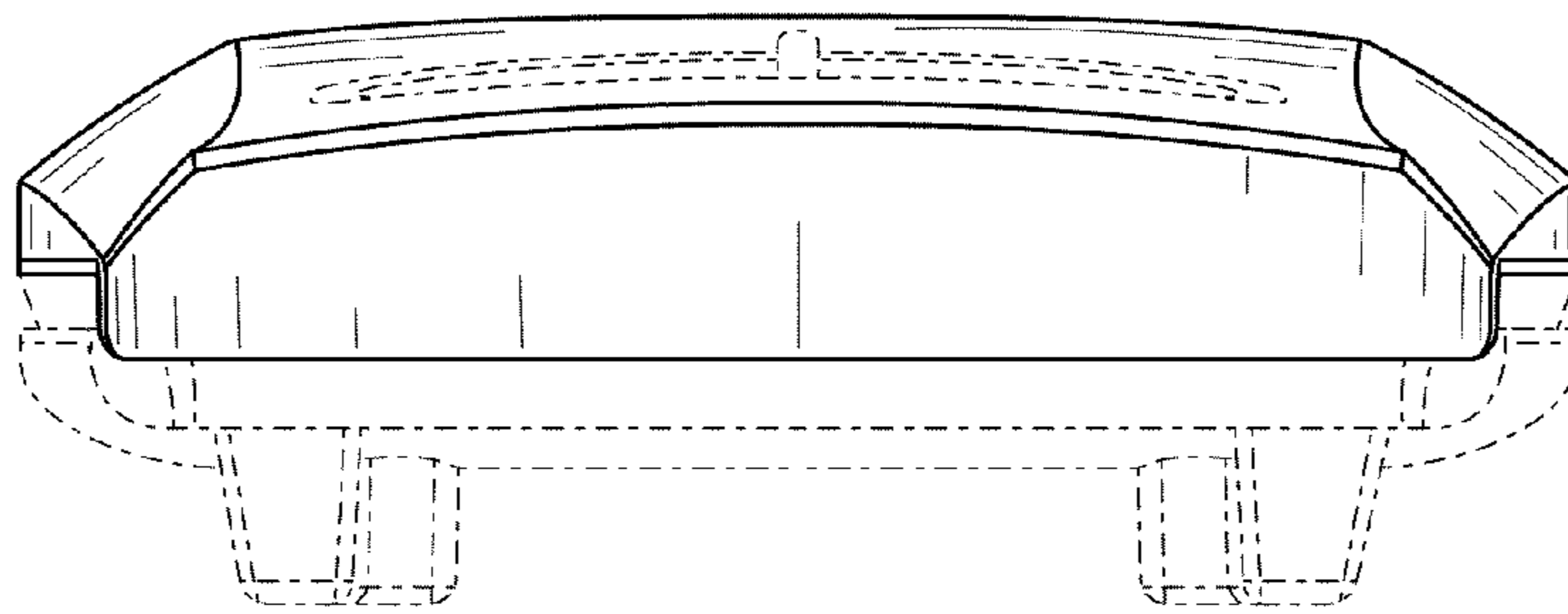


FIG. 2

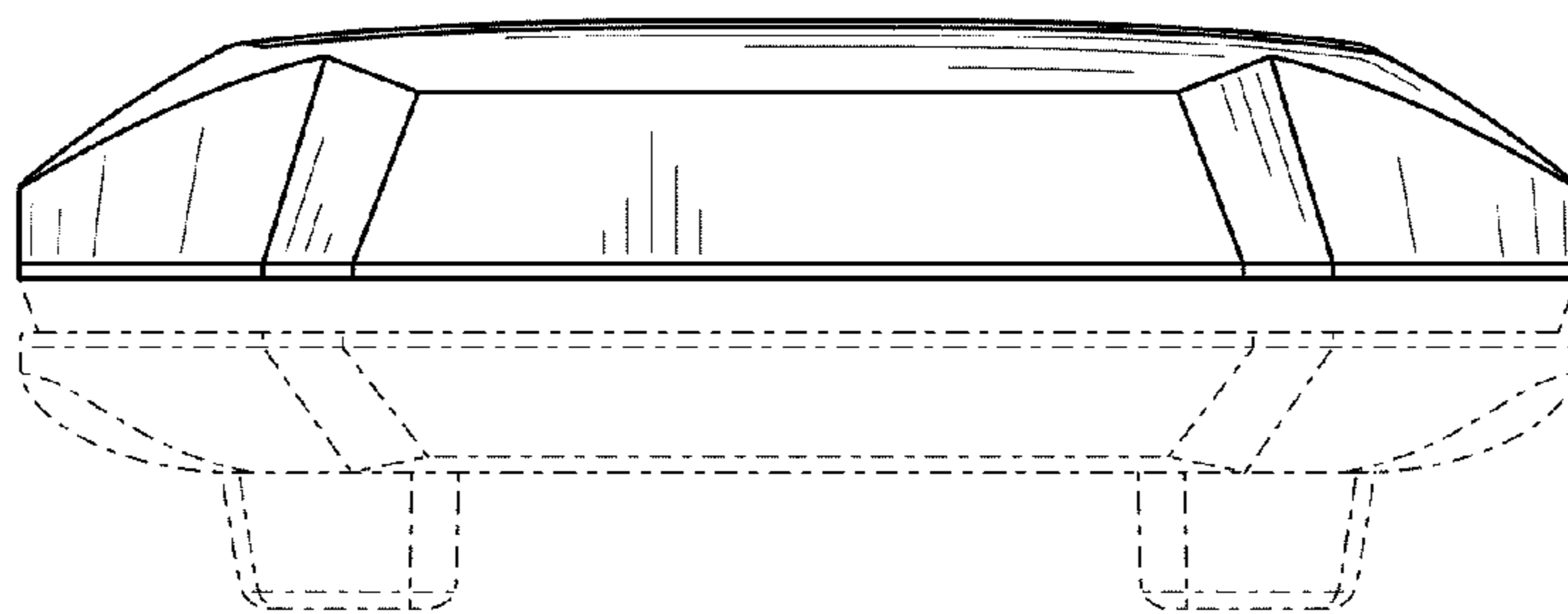


FIG. 3

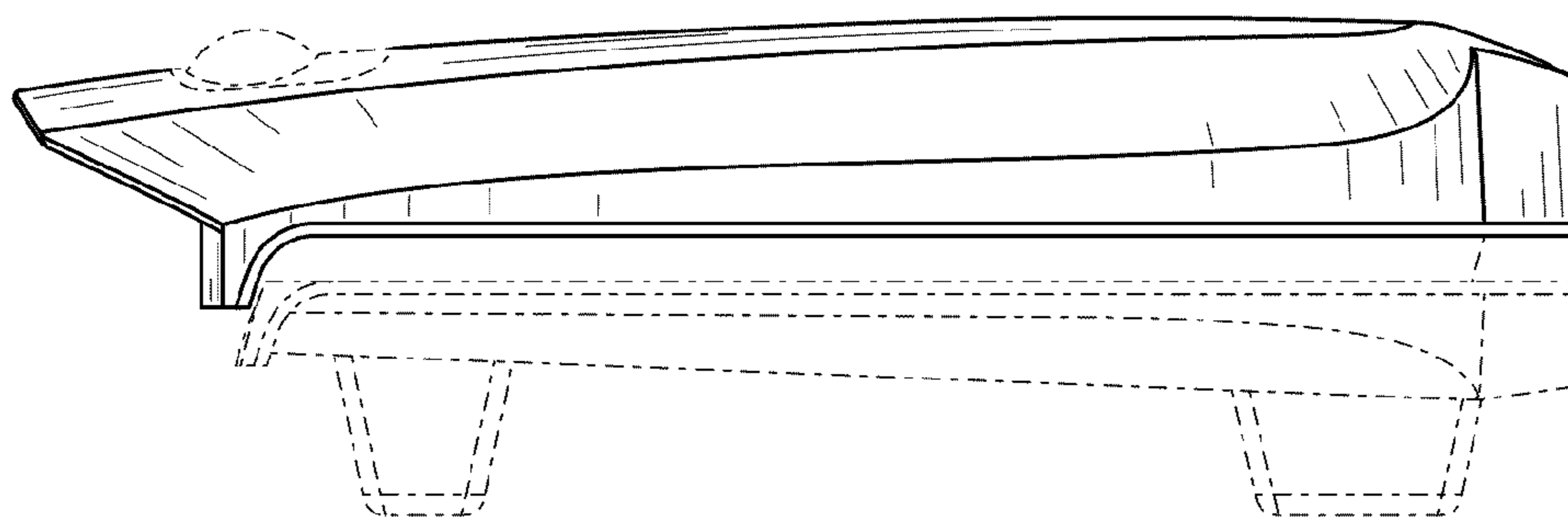


FIG. 4

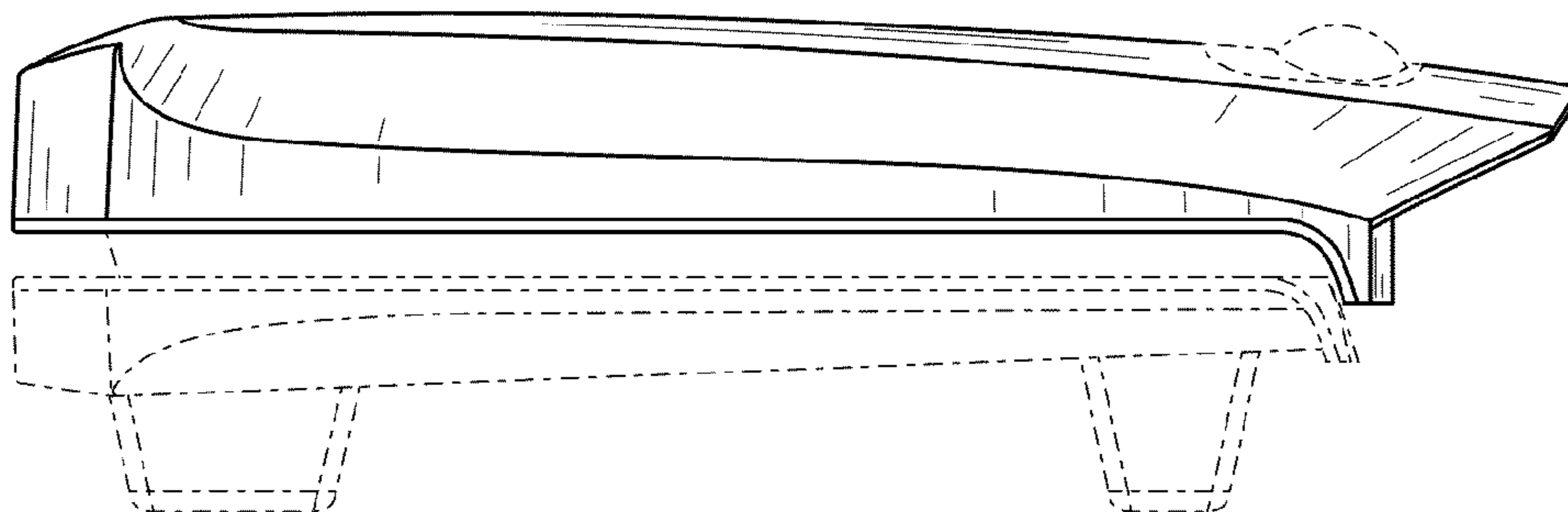


FIG. 5

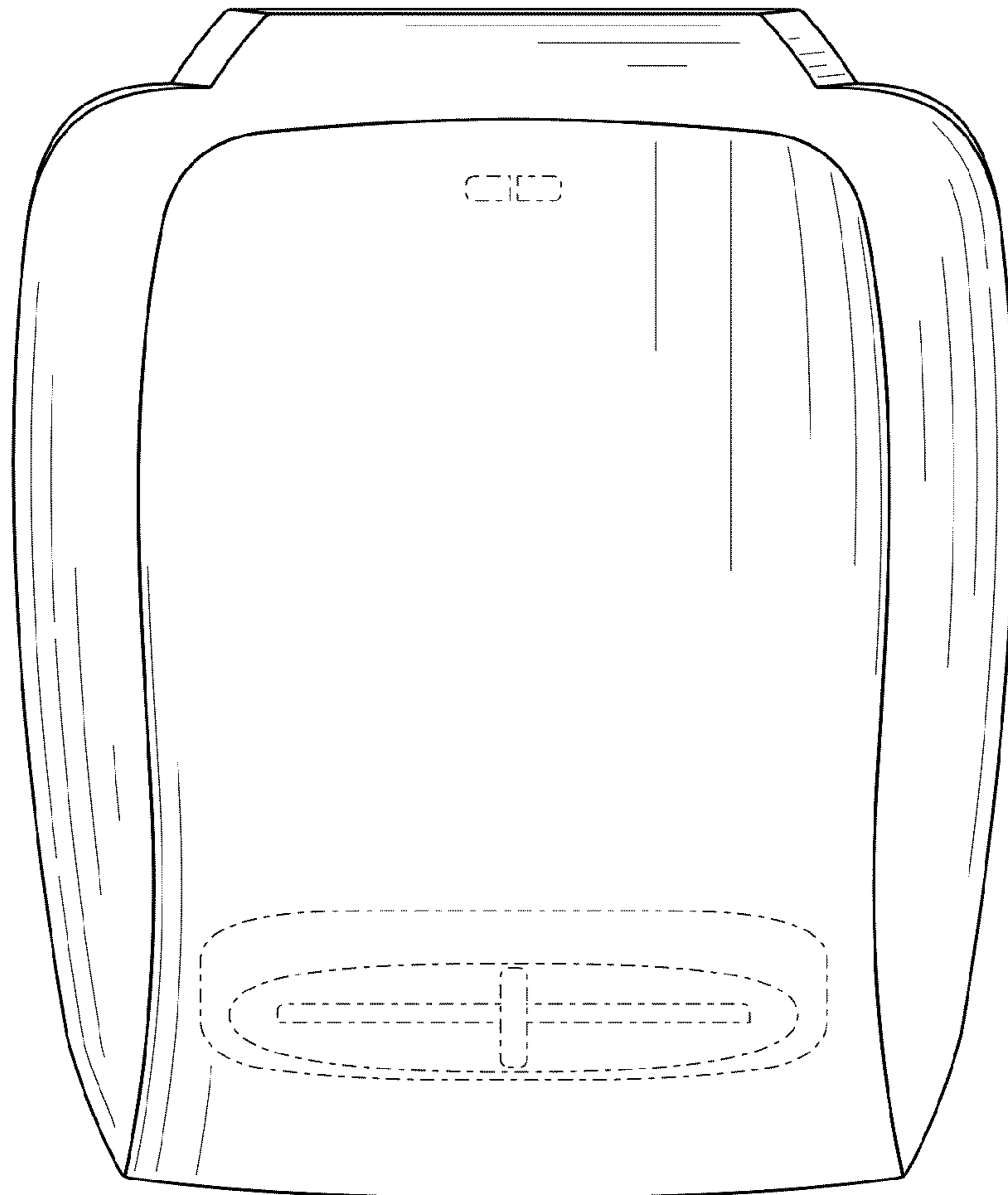


FIG. 6

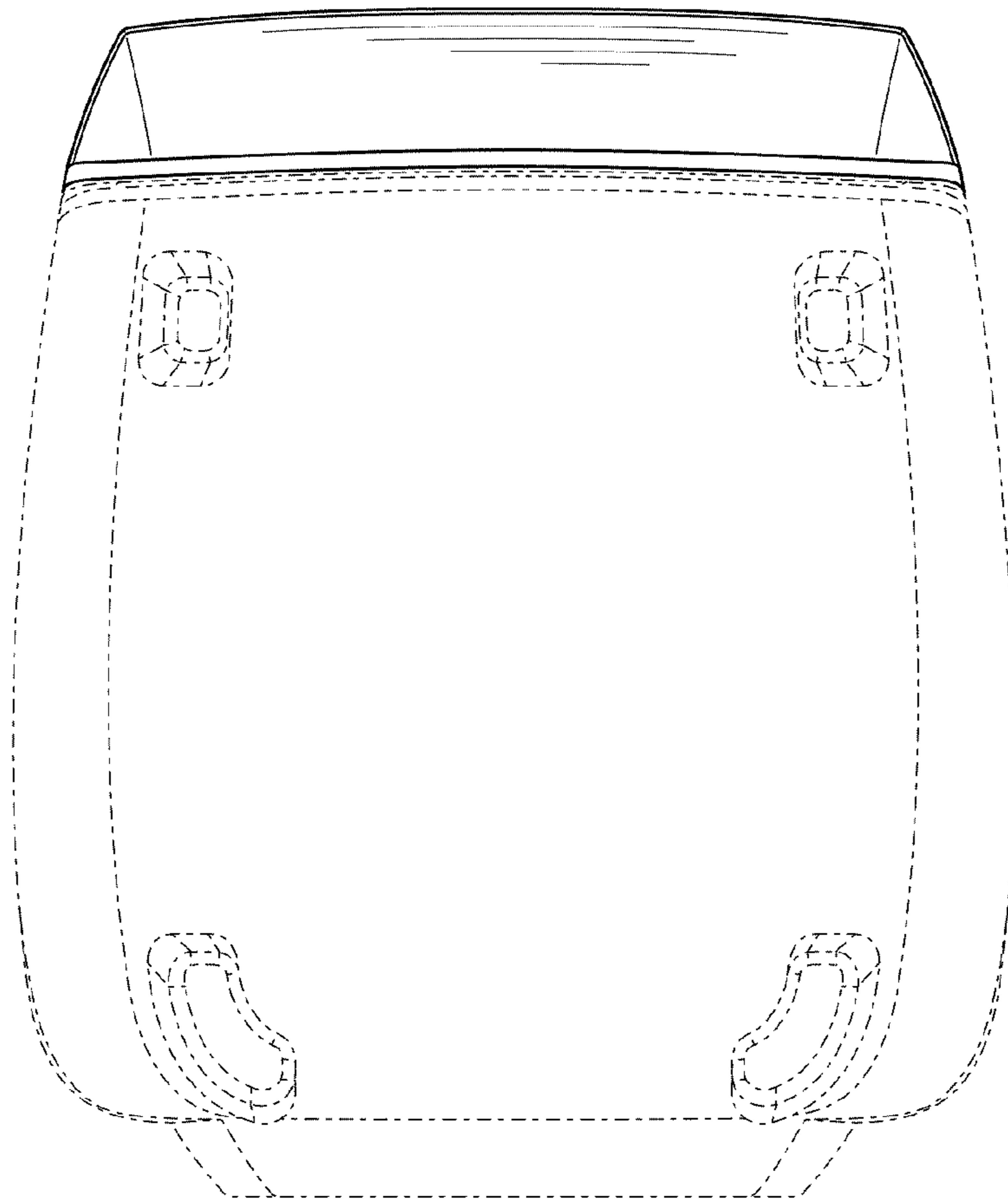


FIG. 7