



US00D650217S

(12) **United States Design Patent**
Loaiza

(10) **Patent No.:** **US D650,217 S**
(45) **Date of Patent:** **** Dec. 13, 2011**

- (54) **PAN HANDLE**
- (75) Inventor: **Jorge Hernan Loaiza**, Copacabana (CO)
- (73) Assignee: **IMUSA, S.A.**, Copacabana, Antioquia (CO)
- (**) Term: **14 Years**
- (21) Appl. No.: **29/388,346**
- (22) Filed: **Mar. 28, 2011**

D510,233 S	10/2005	Giannone	
D514,330 S *	2/2006	Potempa et al.	D4/138
D520,811 S	5/2006	Spagnolo	
D534,781 S *	1/2007	Chen	D8/107
D559,617 S	1/2008	Kloppsteck	
D567,019 S *	4/2008	Gonzalez	D7/395
D572,564 S *	7/2008	Tilk	D8/107
D575,984 S	9/2008	Coppi	
D578,826 S *	10/2008	Lu	D7/395
D582,207 S *	12/2008	Plichon	D7/395
D596,896 S	7/2009	Munari	
D613,004 S *	3/2010	Lin	D4/138
D644,061 S *	8/2011	Griffith et al.	D7/395
2005/0179272 A1 *	8/2005	Gonzalez	30/325

* cited by examiner

- (30) **Foreign Application Priority Data**
- Sep. 29, 2010 (CO) 10-120661
- (51) **LOC (9) Cl.** **07-02**
- (52) **U.S. Cl.** **D7/395**
- (58) **Field of Classification Search** D7/354-361, D7/393-395, 401.2, 664; D8/107, 300, 303, D8/307, 313, 321; D4/138, 129; 16/421, 16/430, 431, 110.1, 407; 220/573.1-573.5, 220/752, 753, 755, 756, 759, 767, 771, 912
See application file for complete search history.

Primary Examiner — Cynthia M Chin
(74) *Attorney, Agent, or Firm* — McDermott Will & Emery LLP

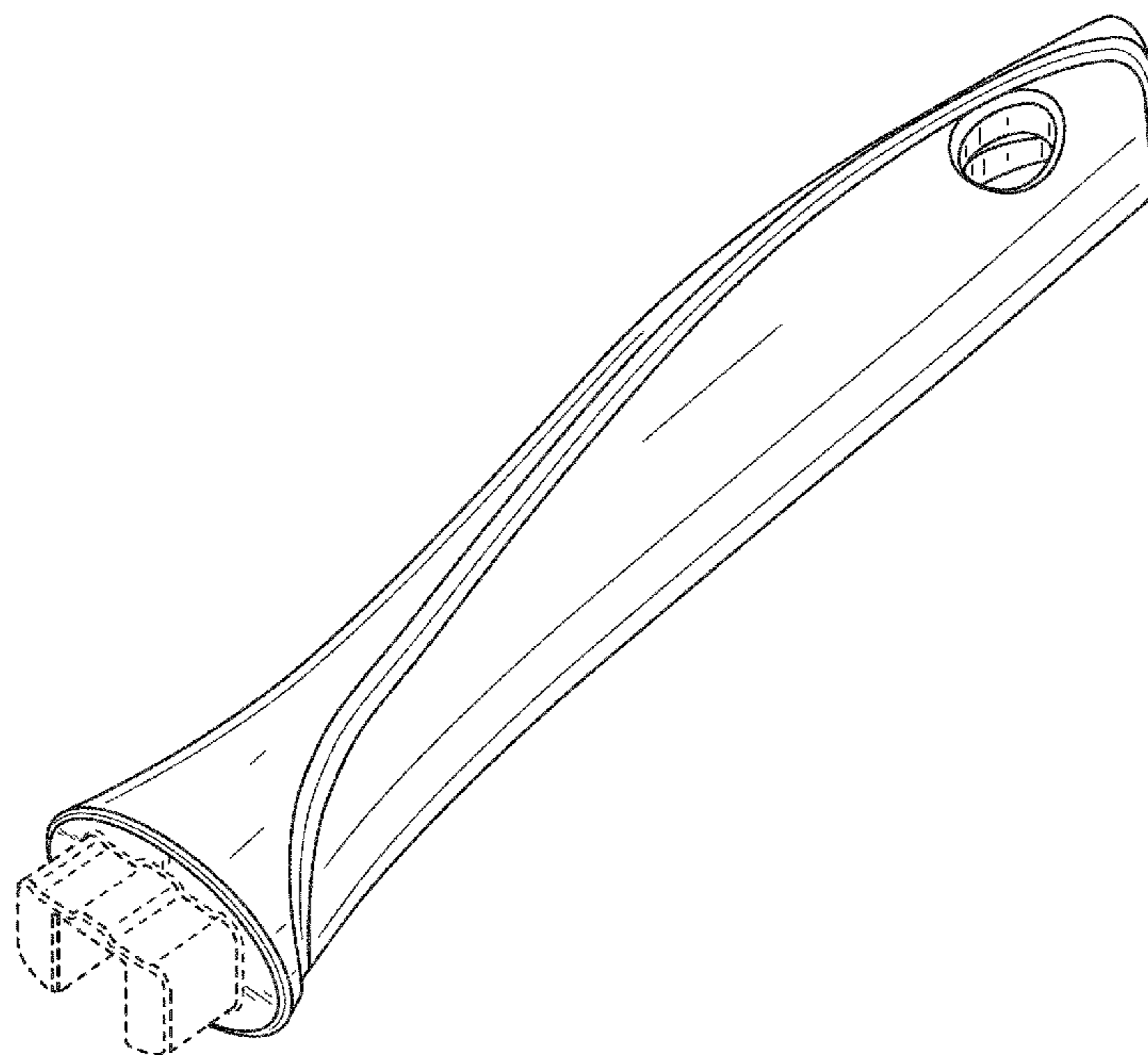
(57) **CLAIM**
The ornamental design for a pan handle, as shown and described.

DESCRIPTION

FIG. 1 is a front perspective view of the pan handle, showing the new design;
FIG. 2 is a top view of the pan handle;
FIG. 3 is a bottom view of the pan handle;
FIG. 4 is a side view of the pan handle;
FIG. 5 is another side view of the pan handle;
FIG. 6 is a rear view of the pan handle; and,
FIG. 7 is a front view of the pan handle.
The broken lines showing various elements of the pan handle are included for the purpose of illustrating non-claimed subject matter, and form no part of the claimed design.

1 Claim, 6 Drawing Sheets

- (56) **References Cited**
- U.S. PATENT DOCUMENTS
- D149,641 S * 5/1948 Hvale D7/395
- D319,164 S * 8/1991 Rosenthal D7/395
- D353,513 S * 12/1994 Kong D7/395
- D369,273 S 4/1996 Munari
- D474,896 S * 5/2003 Riddell D4/138
- D482,874 S * 12/2003 Dotterman D4/138
- D492,122 S * 6/2004 Woodnorth et al. D4/138
- D494,039 S * 8/2004 Tsai D8/107



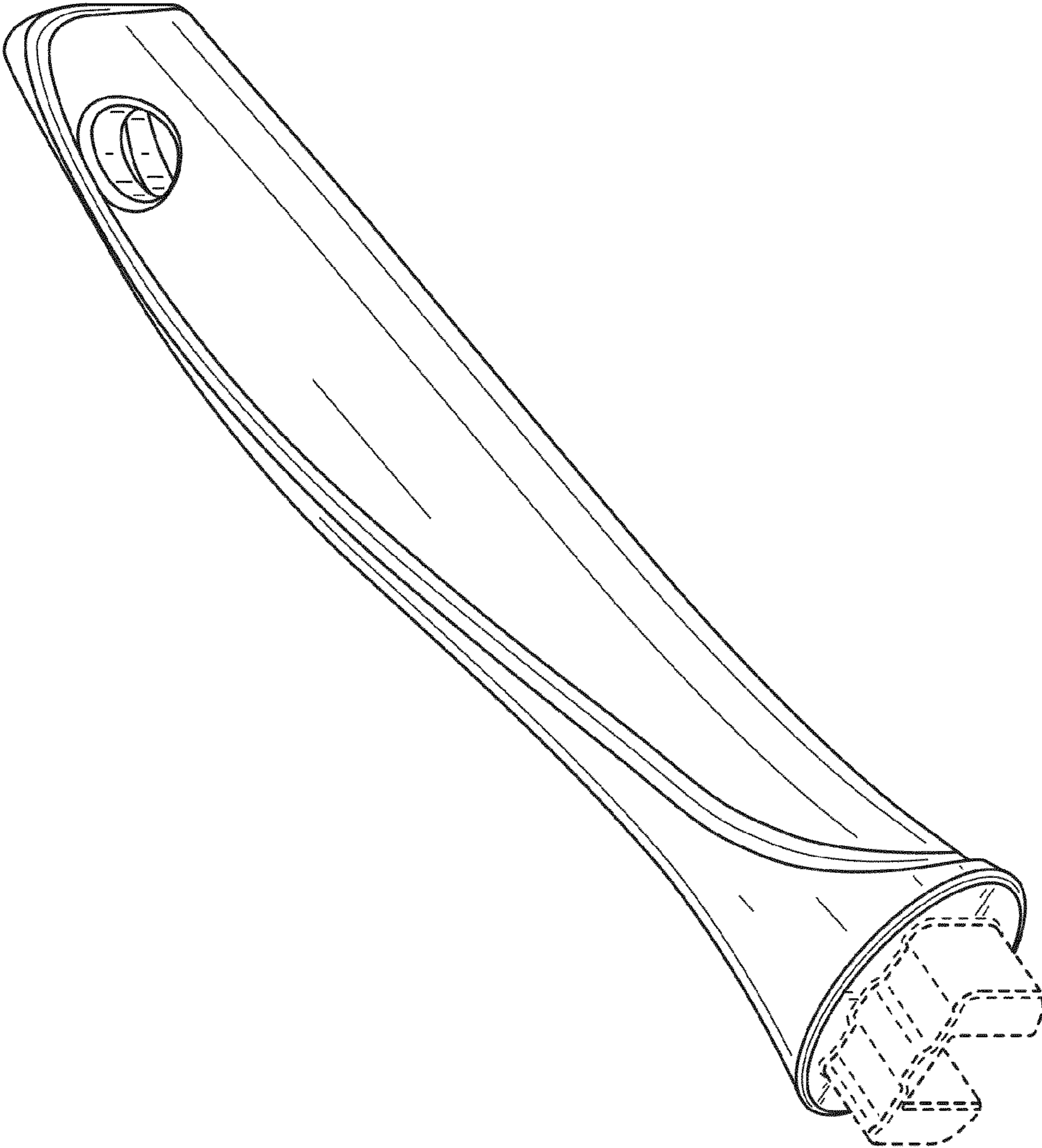


FIG. 1

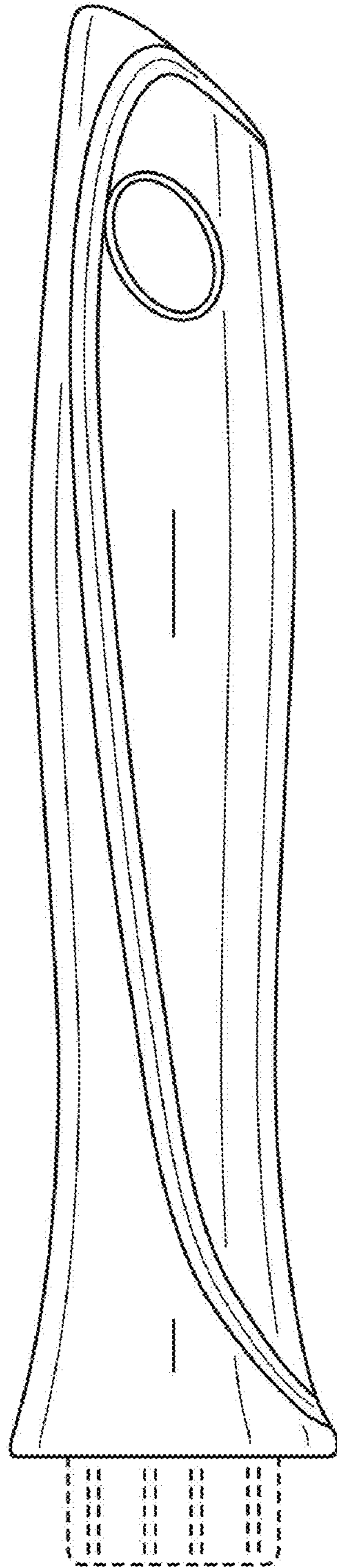


FIG. 2

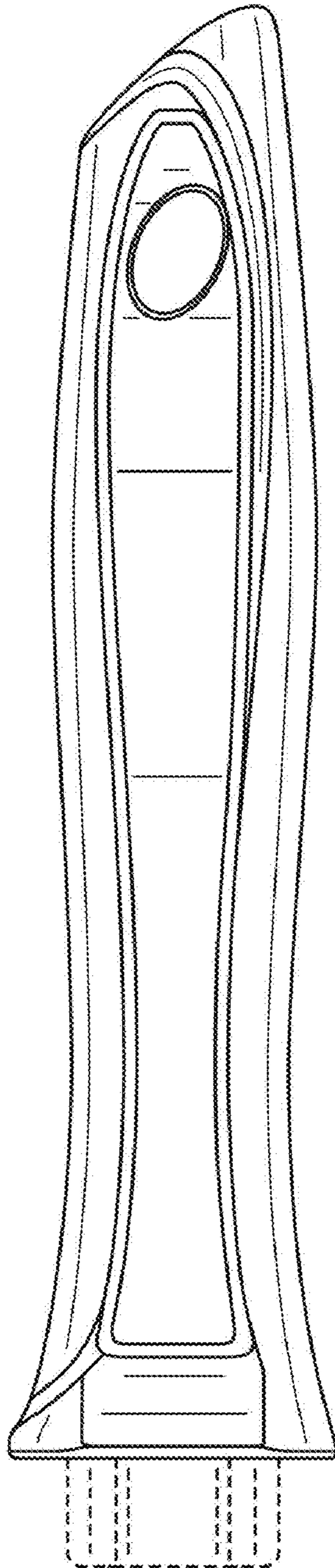


FIG. 3

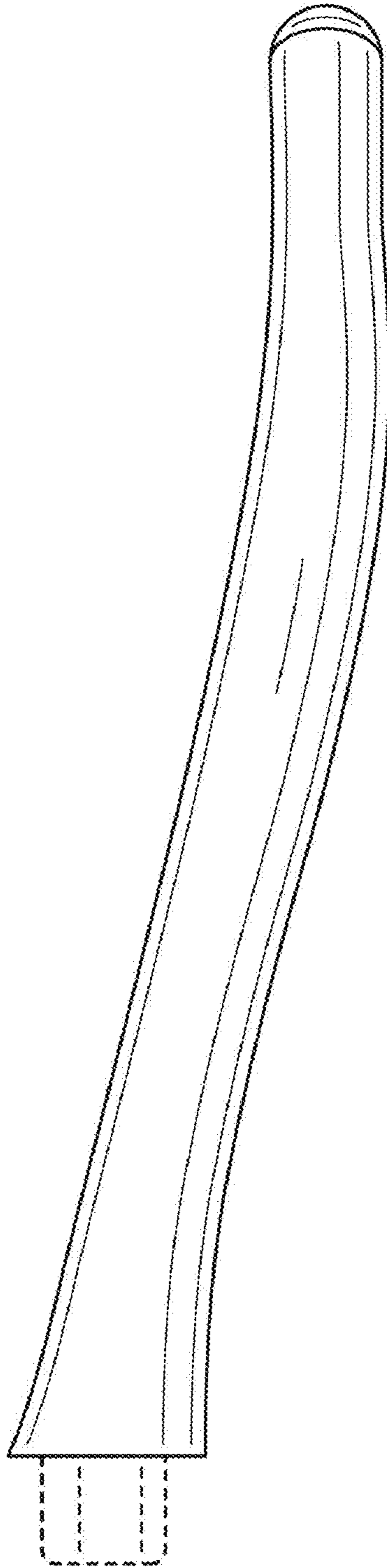


FIG. 4

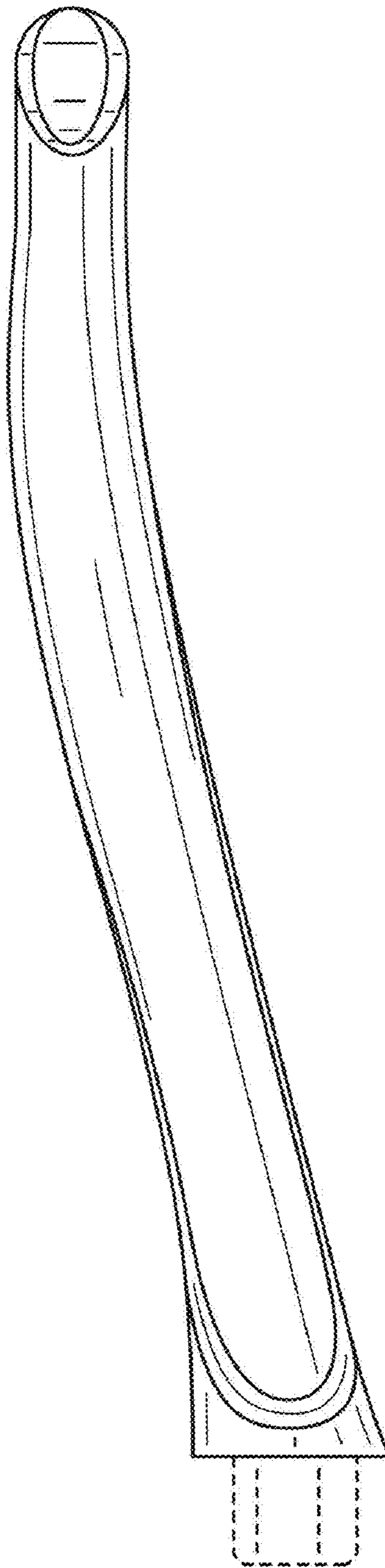


FIG. 5

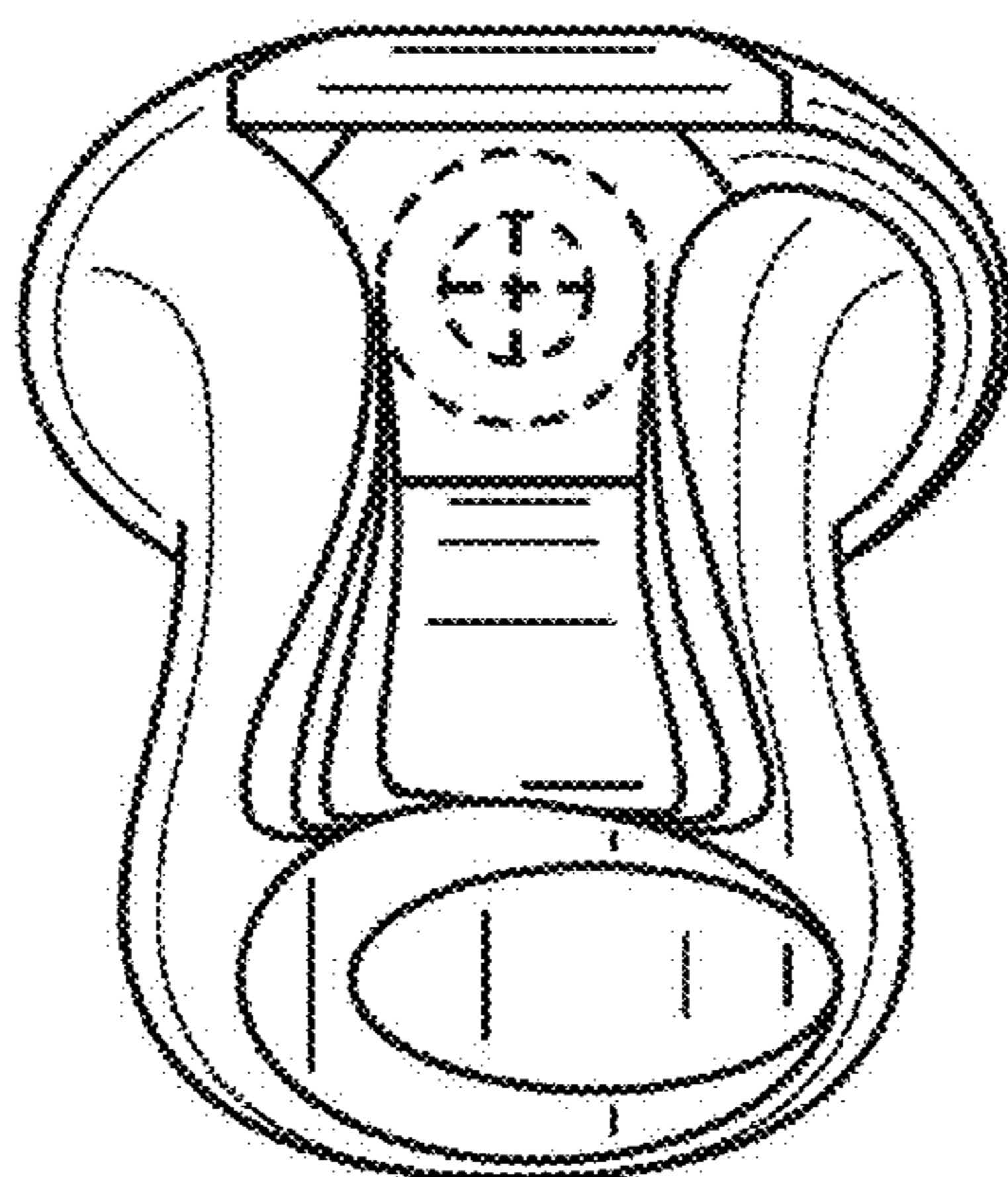


FIG. 6

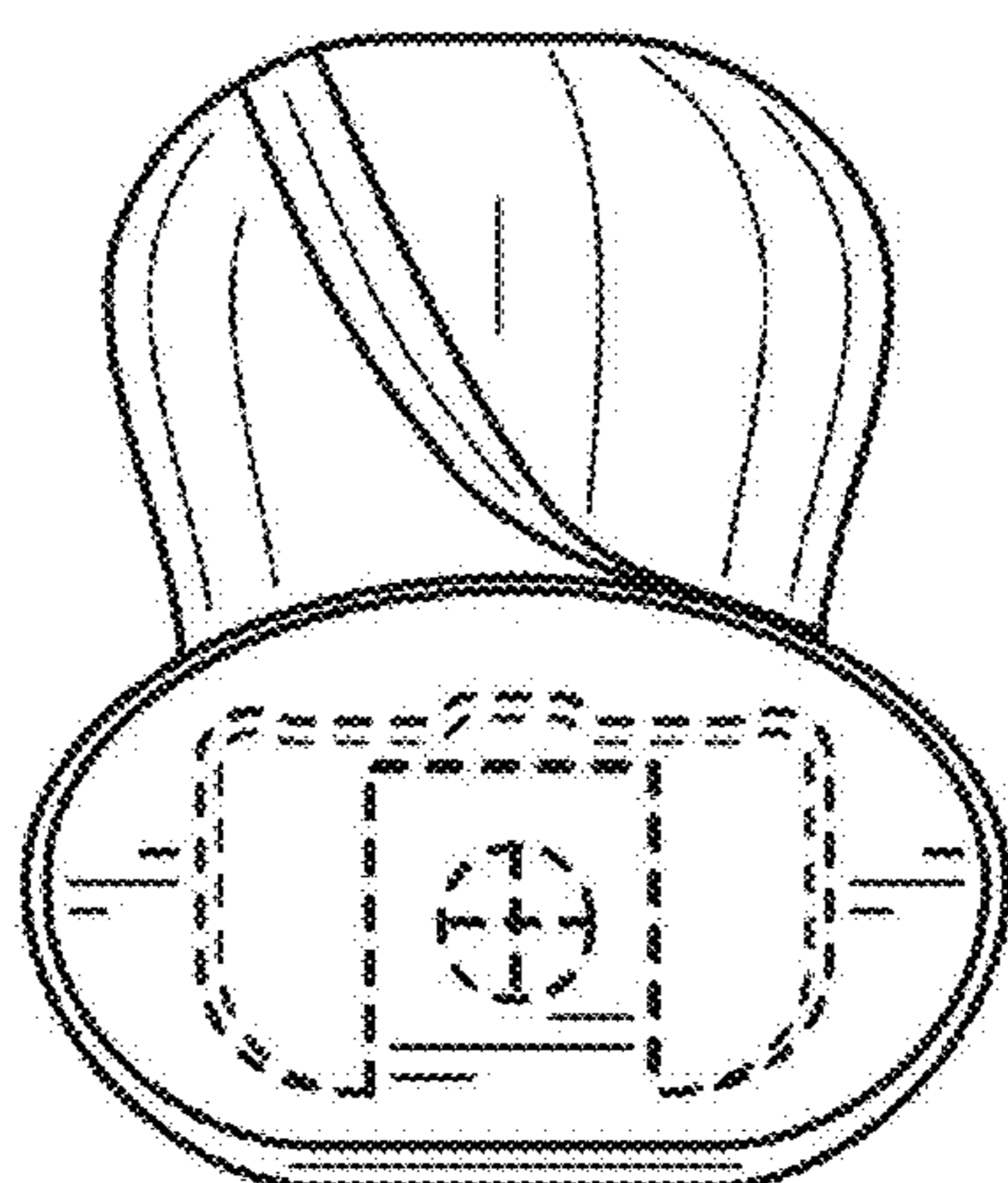


FIG. 7