



US00D650215S

(12) **United States Design Patent**
Chung

(10) **Patent No.:** **US D650,215 S**

(45) **Date of Patent:** **** Dec. 13, 2011**

(54) **BARBECUE GRILL**

(76) Inventor: **Kiosky Chung**, Taichung (TW)

(**) Term: **14 Years**

(21) Appl. No.: **29/384,343**

(22) Filed: **Jan. 30, 2011**

(51) **LOC (9) Cl.** **07-02**

(52) **U.S. Cl.** **D7/332**

(58) **Field of Classification Search** D7/332,
D7/334-337, 402-405, 338, 417; 126/25 R,
126/25 A, 25 AA, 25 B, 273 R, 9 R, 38, 40,
126/50, 9 B, 48, 29-30, 43-44, 26, 372, 314,
126/307 R, 312, 292; 99/339, 448, 449,
99/481-482, 516, 340-341; 431/331

See application file for complete search history.

(56) **References Cited**

U.S. PATENT DOCUMENTS

3,776,127	A *	12/1973	Muse	99/482
D244,249	S *	5/1977	Boswell et al.	D7/332
4,094,295	A *	6/1978	Boswell et al.	126/25 R
5,473,979	A *	12/1995	Ruben	99/446
D374,371	S *	10/1996	Hall McDonald	D7/332
D463,948	S *	10/2002	Innes	D7/332
D481,903	S *	11/2003	Hester	D7/332

D486,348	S *	2/2004	Zhu	D7/332
D524,091	S *	7/2006	Lai	D7/332
D550,022	S *	9/2007	Amajuwon et al.	D7/332
D574,177	S *	8/2008	Hulsey	D7/335
7,861,705	B2 *	1/2011	Hulsey	126/25 A
D642,416	S *	8/2011	Scott et al.	D7/332
2005/0121018	A1 *	6/2005	Rosen	126/9 R
2009/0308373	A1 *	12/2009	Scott et al.	126/25 R

* cited by examiner

Primary Examiner — Ruth McInroy

(57) **CLAIM**

I claim the ornamental design for a barbecue grill, as shown and described.

DESCRIPTION

FIG. 1 is a perspective view of a barbecue grill, showing my new design;

FIG. 2 is a front elevational view thereof;

FIG. 3 is a rear elevational view thereof;

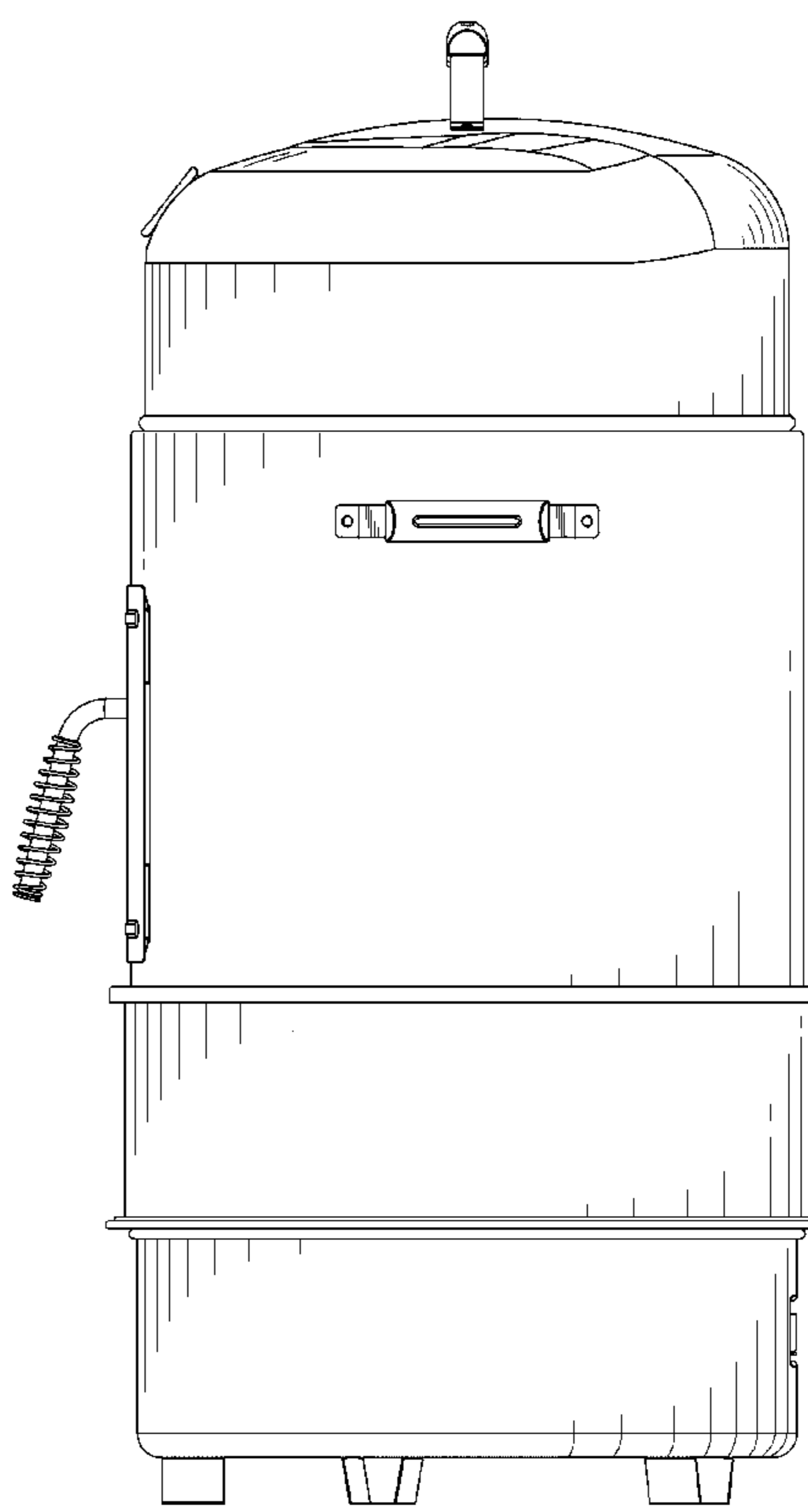
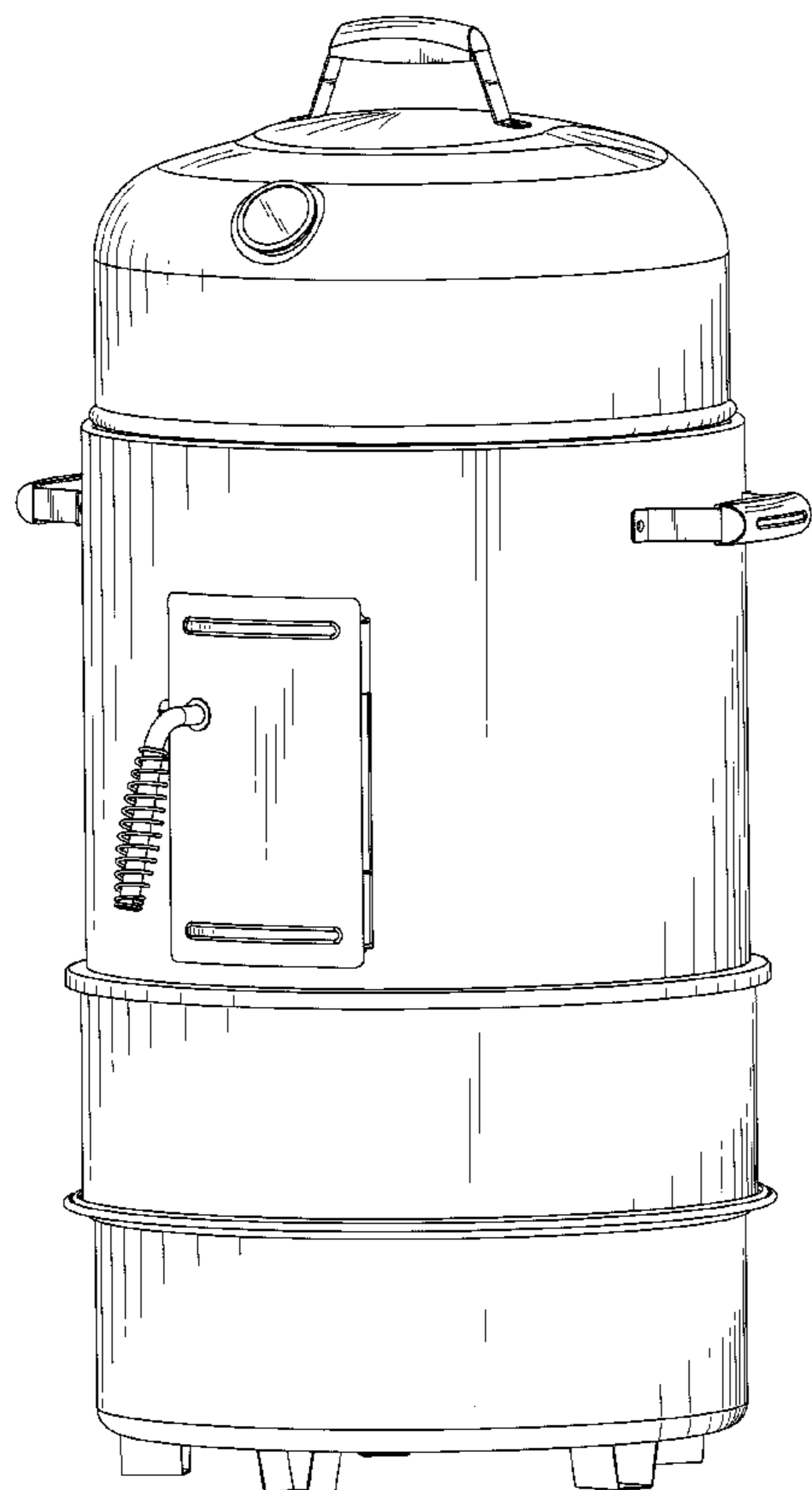
FIG. 4 is a left side elevational view thereof;

FIG. 5 is a right side elevational view thereof;

FIG. 6 is a top plan view thereof; and,

FIG. 7 is a bottom plan view thereof.

1 Claim, 7 Drawing Sheets



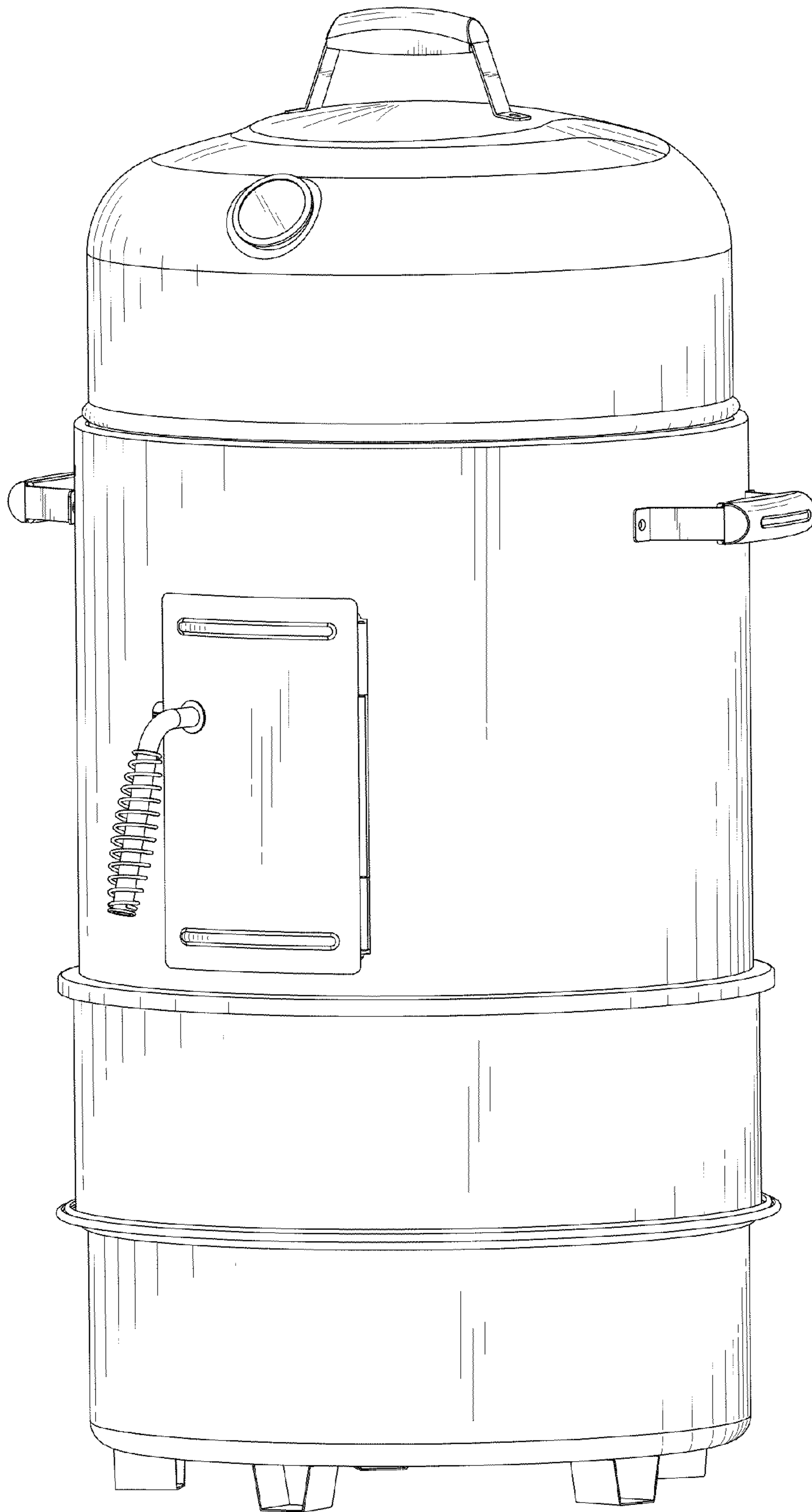


FIG. 1

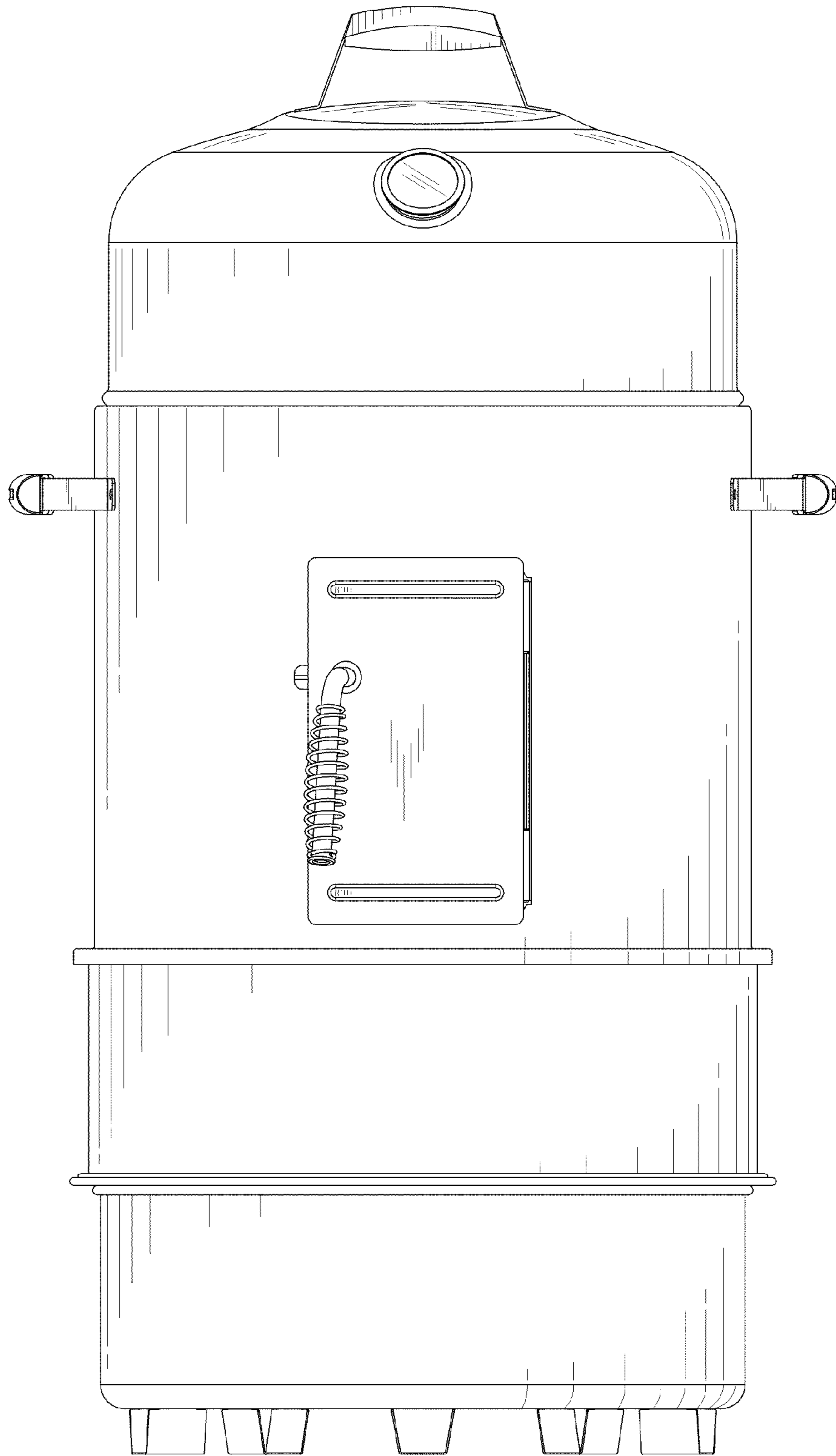


FIG. 2

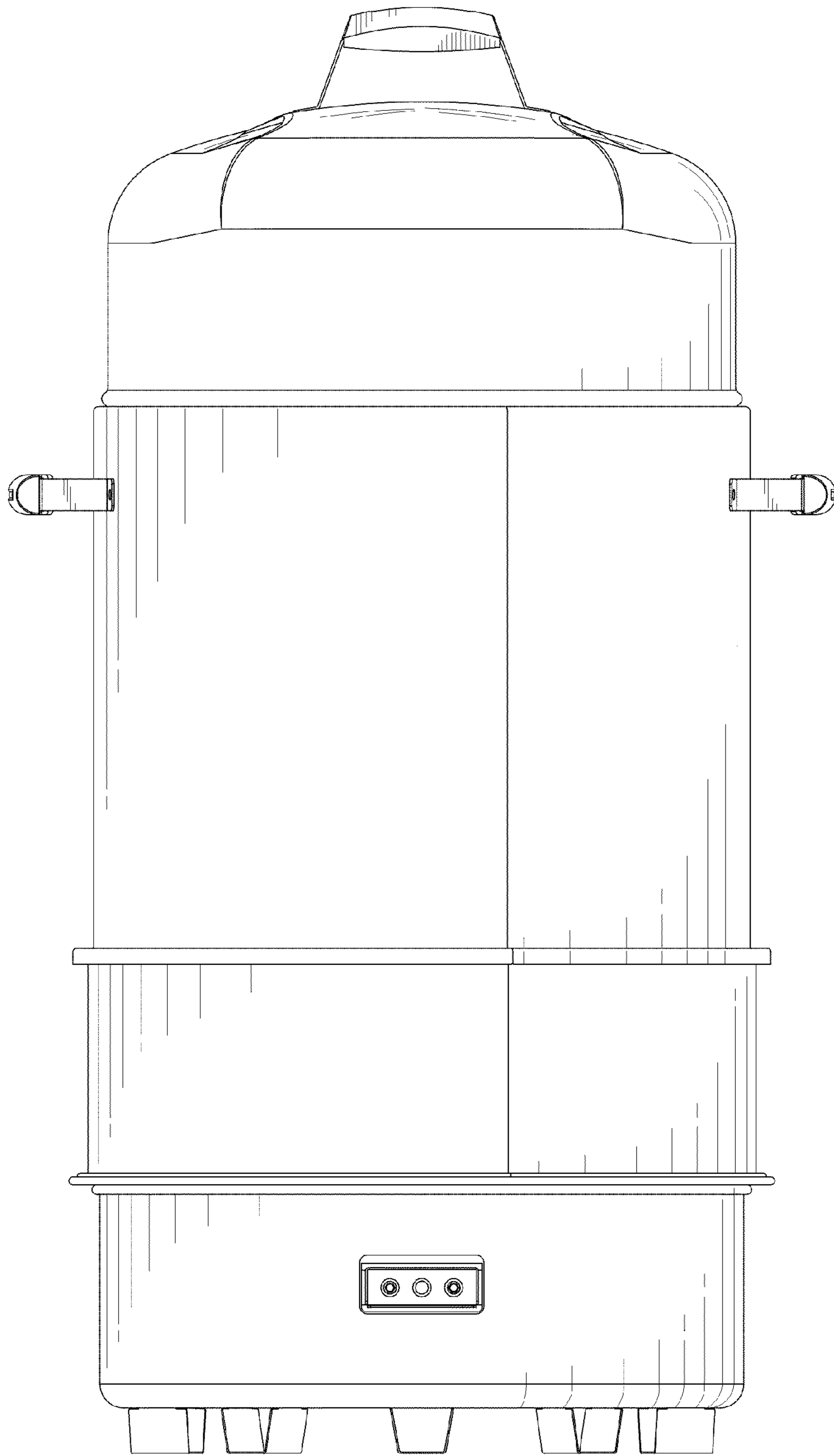


FIG. 3

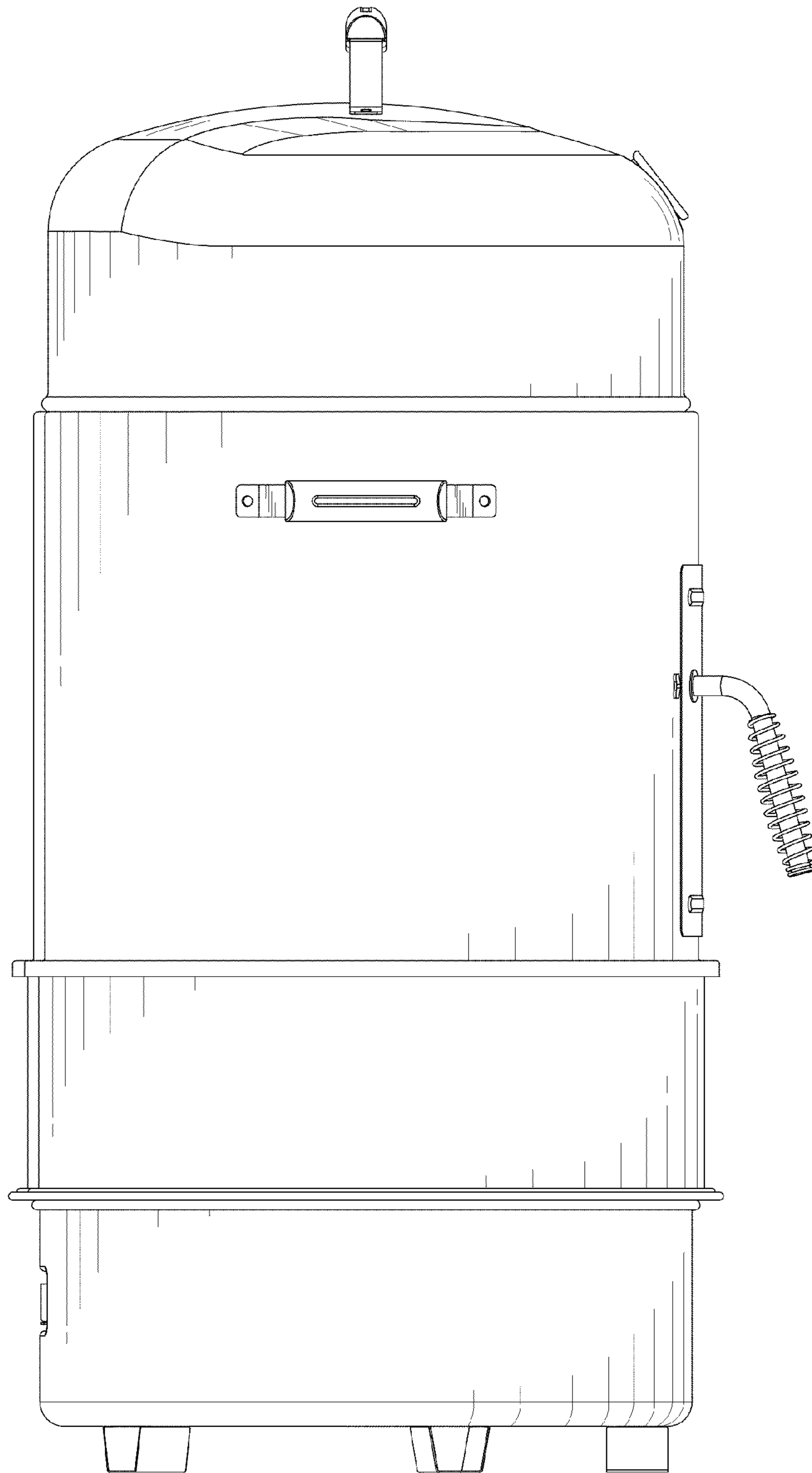


FIG. 4

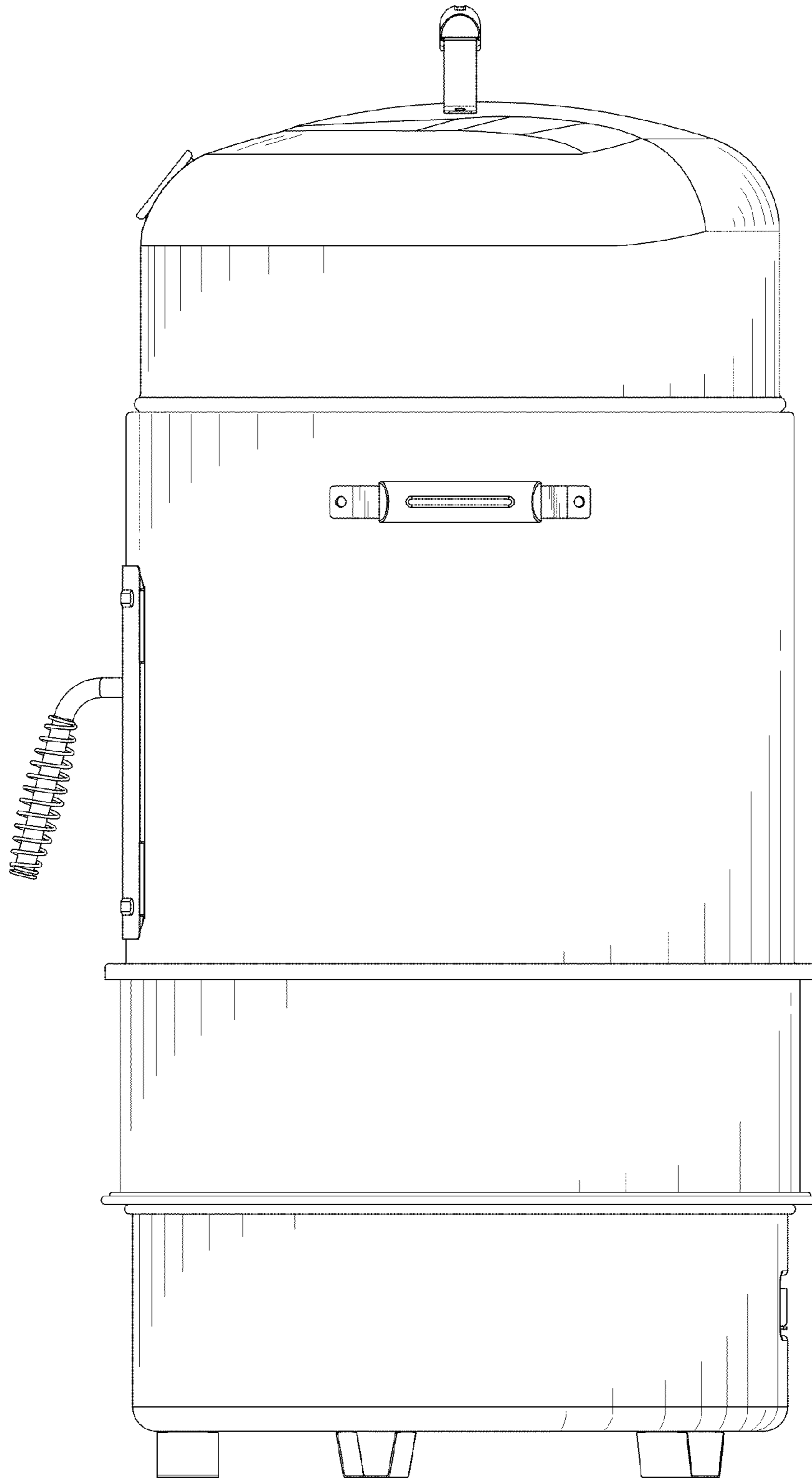


FIG. 5

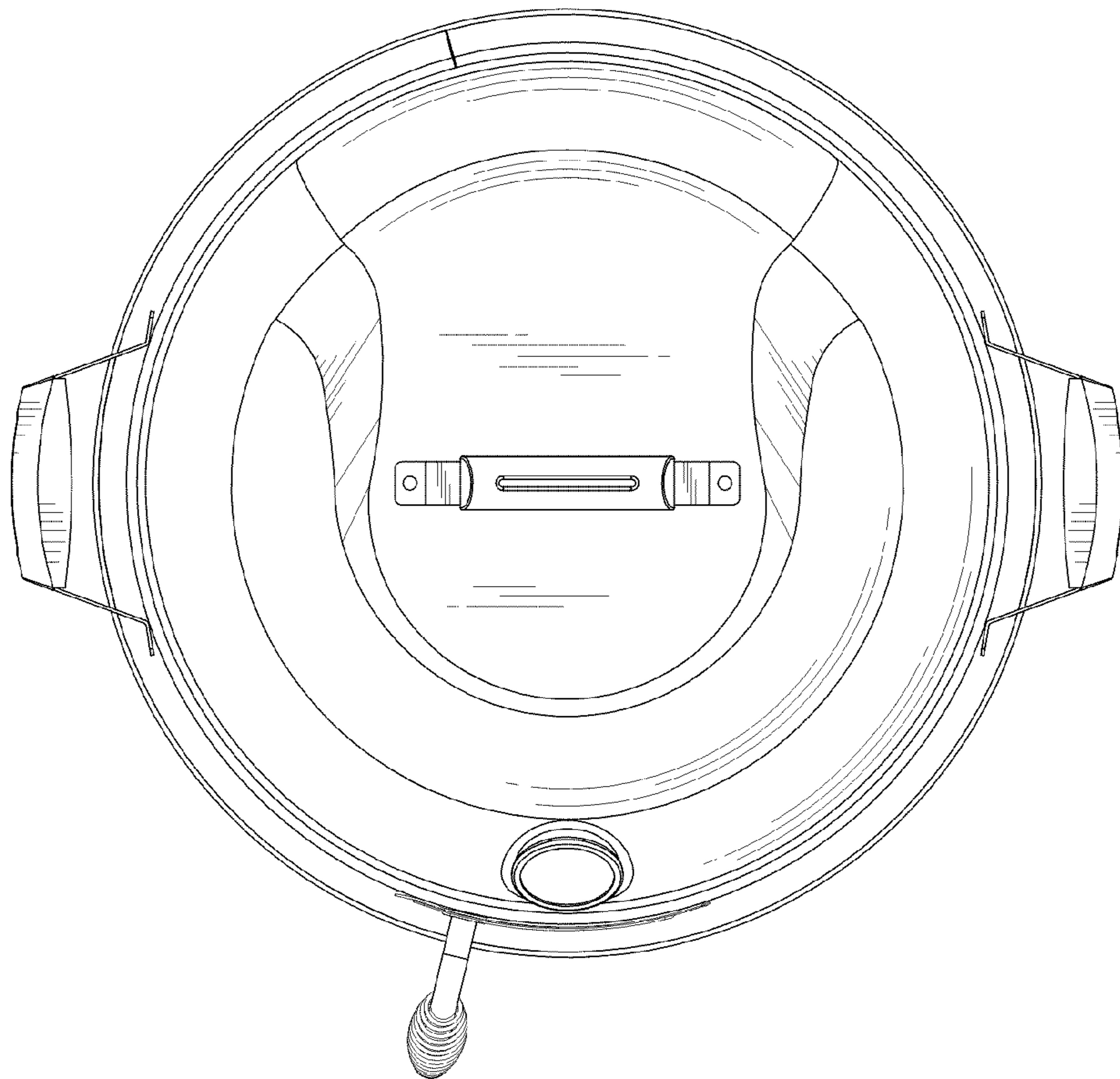


FIG. 6

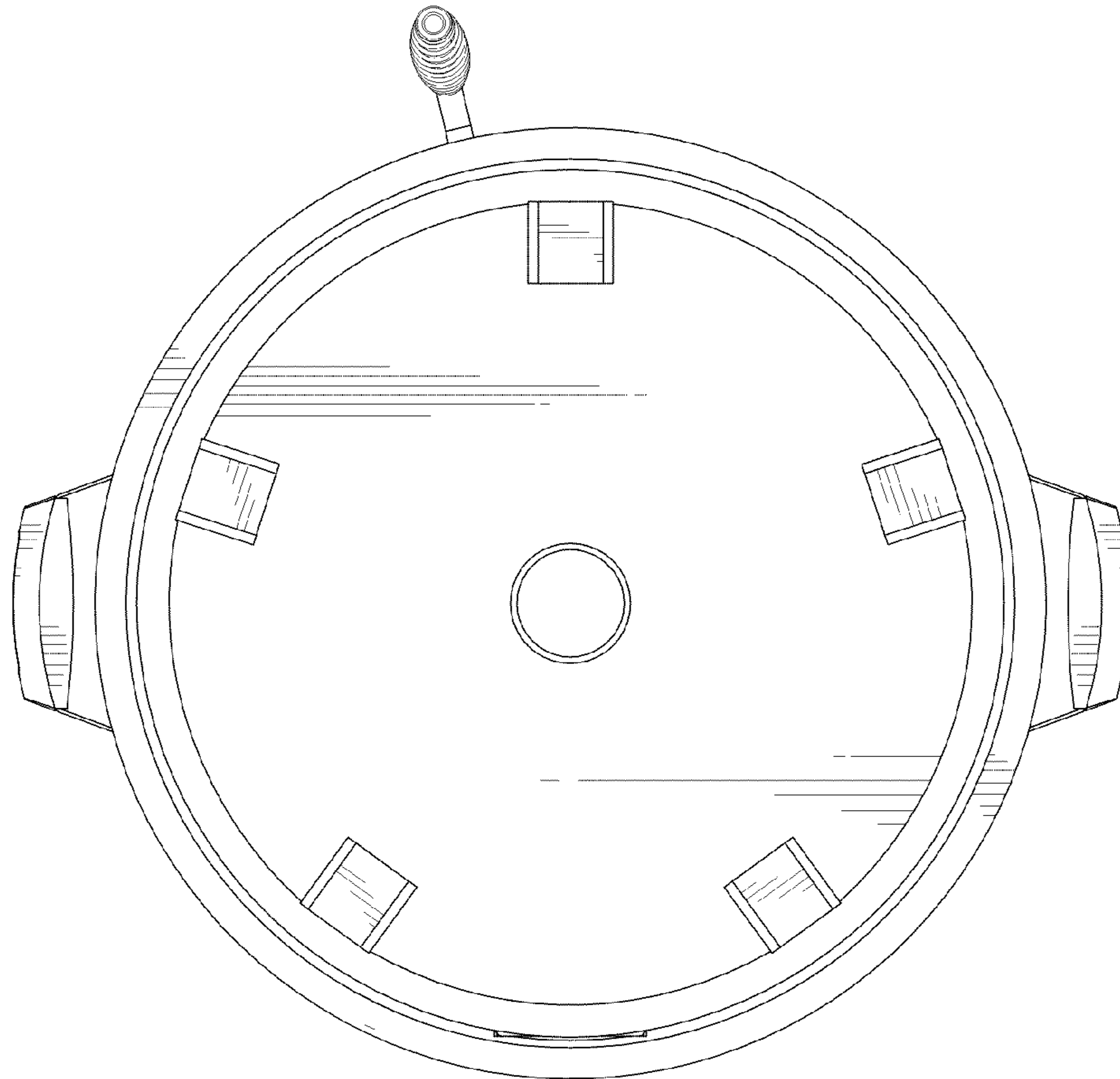


FIG. 7