

US00D650212S

(12) **United States Design Patent**
Leonard

(10) **Patent No.:** **US D650,212 S**

(45) **Date of Patent:** **** Dec. 13, 2011**

(54) **INSTITUTIONAL MATTRESS**

(75) Inventor: **Kevin Leonard**, High Point, NC (US)

(73) Assignee: **Cornerstone Institutional, LLC**,
Tanner, AL (US)

(**) Term: **14 Years**

(21) Appl. No.: **29/387,134**

(22) Filed: **Mar. 9, 2011**

(51) **LOC (9) Cl.** **06-09**

(52) **U.S. Cl.** **D6/596**

(58) **Field of Classification Search** D6/595,
D6/596, 601, 597; 5/417-420, 636, 638,
5/646, 647, 652, 652.1, 653, 655, 655.9,
5/656, 690; D21/809

See application file for complete search history.

(56) **References Cited**

U.S. PATENT DOCUMENTS

4,575,884 A * 3/1986 Jamerson et al. 5/420
D346,716 S * 5/1994 Murphy D6/596
D349,625 S * 8/1994 daPalma D6/596

D381,855 S * 8/1997 Galick D6/601
D382,755 S * 8/1997 Knopfler D6/596
D469,998 S * 2/2003 Feeney D6/595
D530,135 S * 10/2006 Lau D6/595
2006/0075566 A1 * 4/2006 McManamy et al. 5/690

* cited by examiner

Primary Examiner — Janice Seeger

(74) *Attorney, Agent, or Firm* — MacCord Mason PLLC

(57) **CLAIM**

The ornamental design for an institutional mattress, as shown and described.

DESCRIPTION

FIG. 1 illustrates a top perspective view of the institutional mattress;

FIG. 2 illustrates a top view of the mattress;

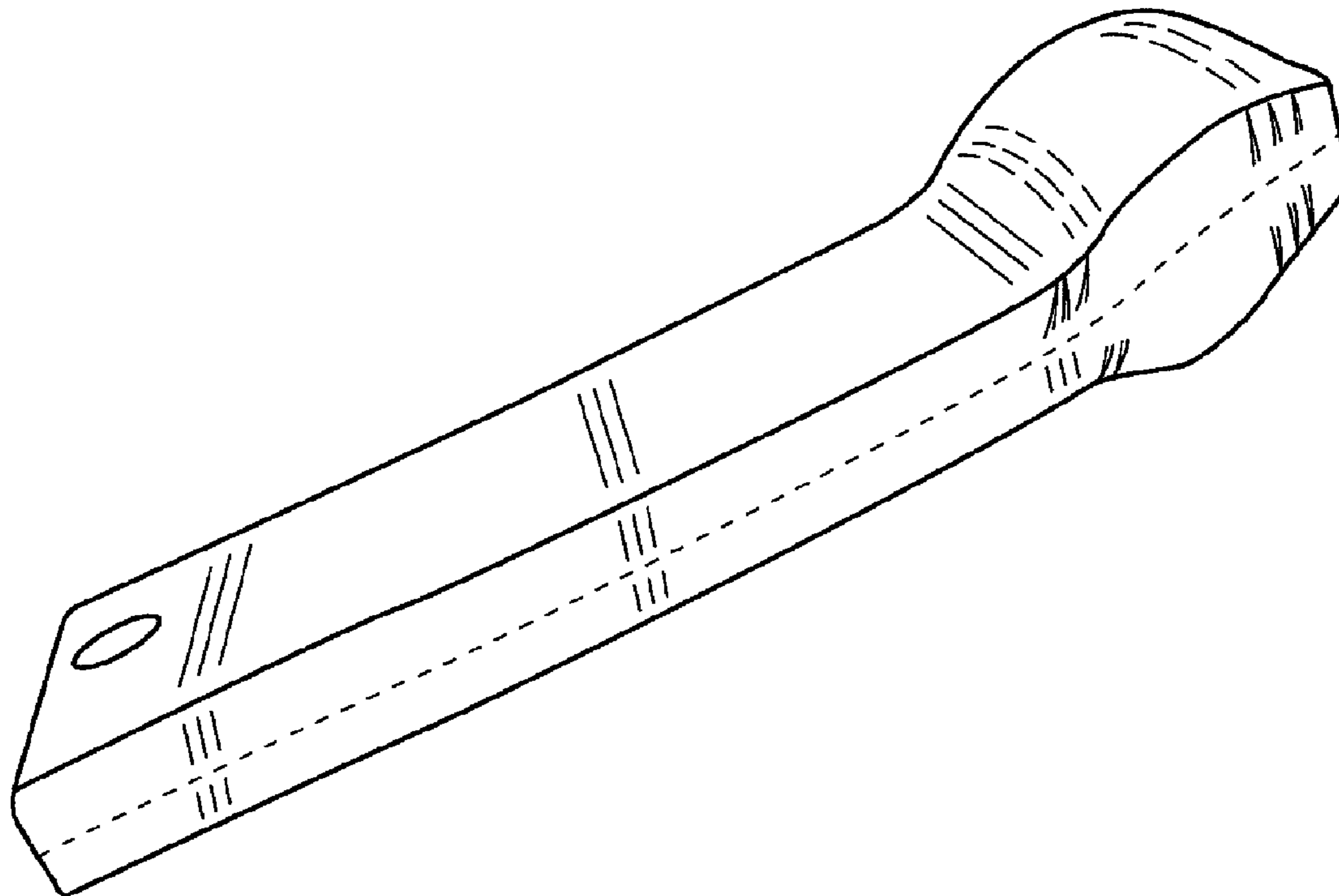
FIG. 3 illustrates a bottom view of the mattress;

FIG. 4 illustrates a side view of the mattress, the opposite side being a mirror image; and,

FIG. 5 illustrates a foot end view of the mattress.

The broken lines are for environmental purposes only and form no part of the claimed design.

1 Claim, 2 Drawing Sheets



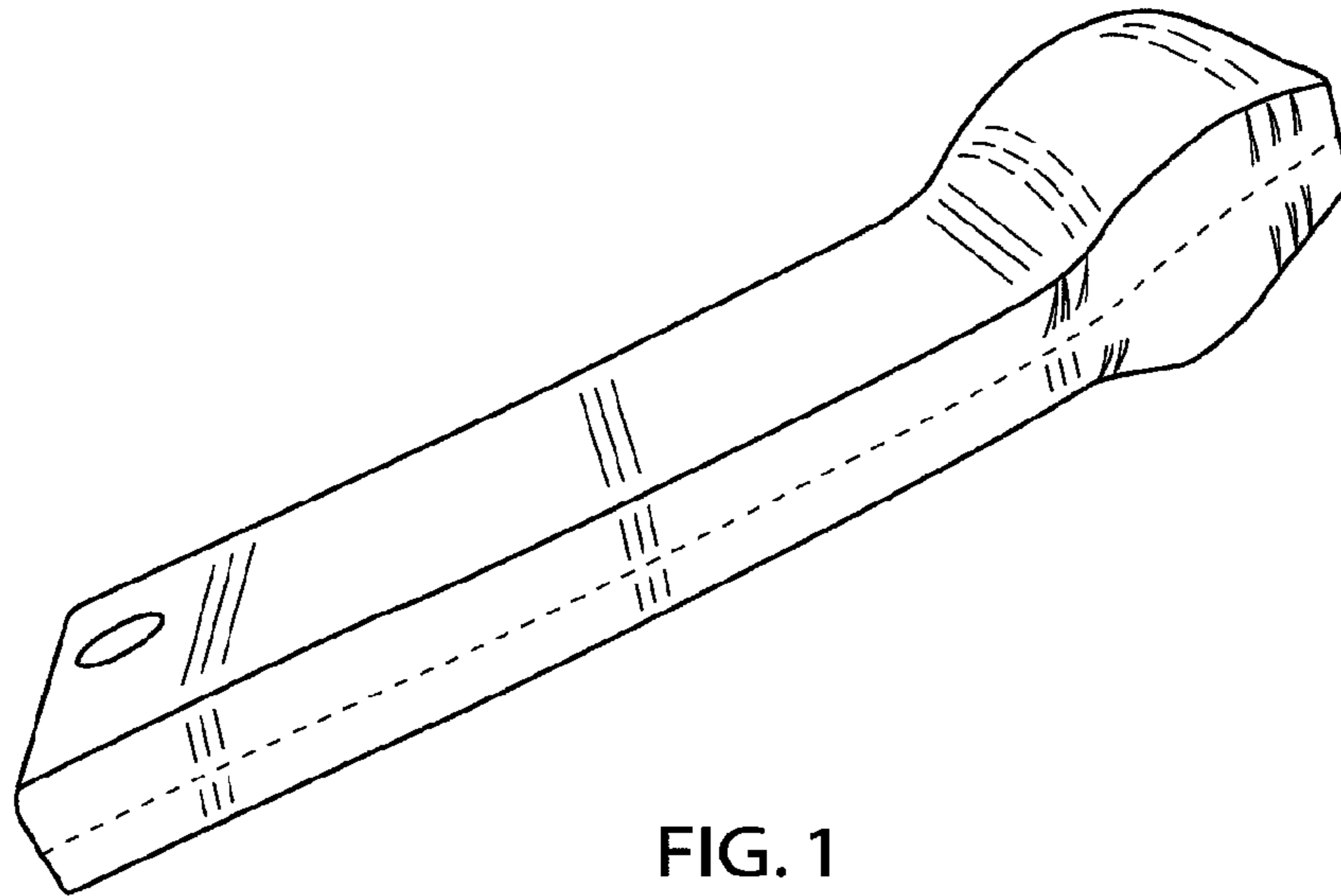


FIG. 1

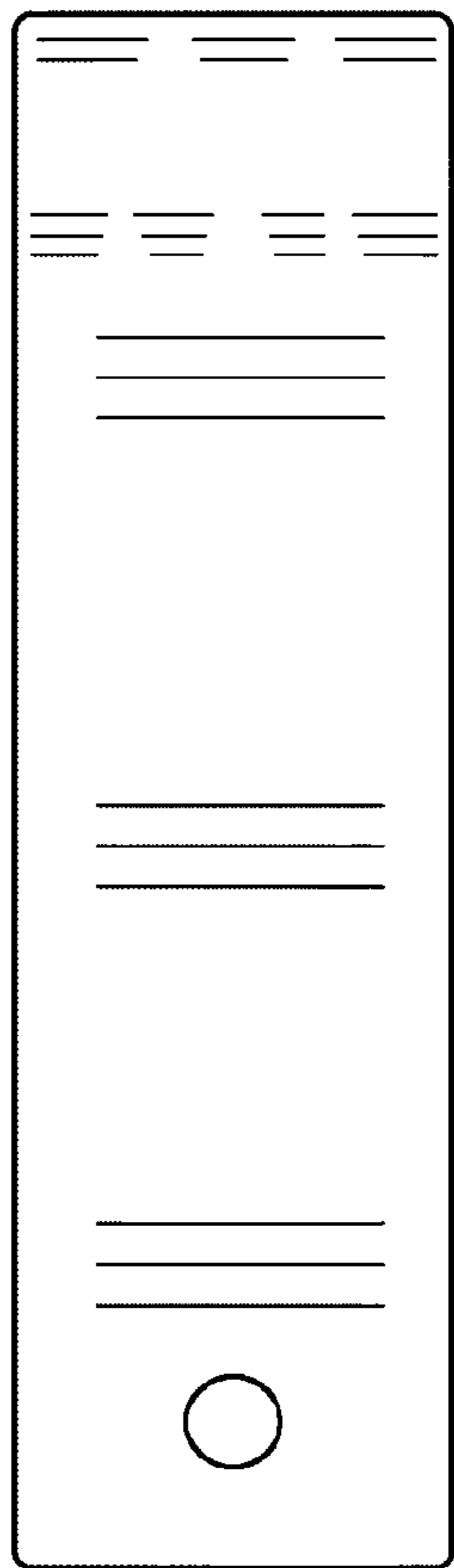


FIG. 2

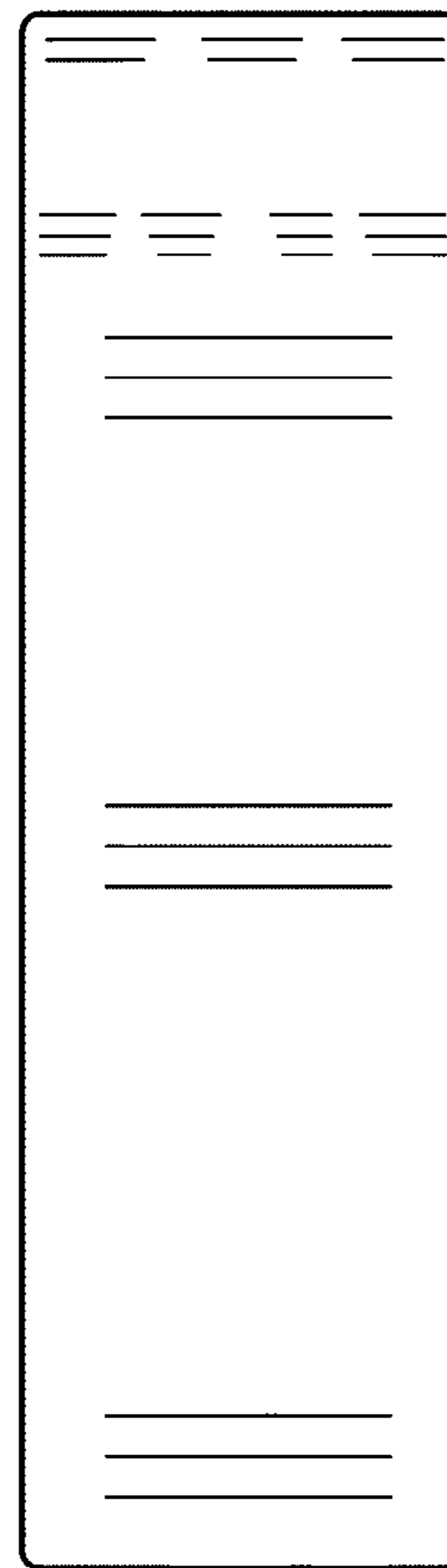


FIG. 3

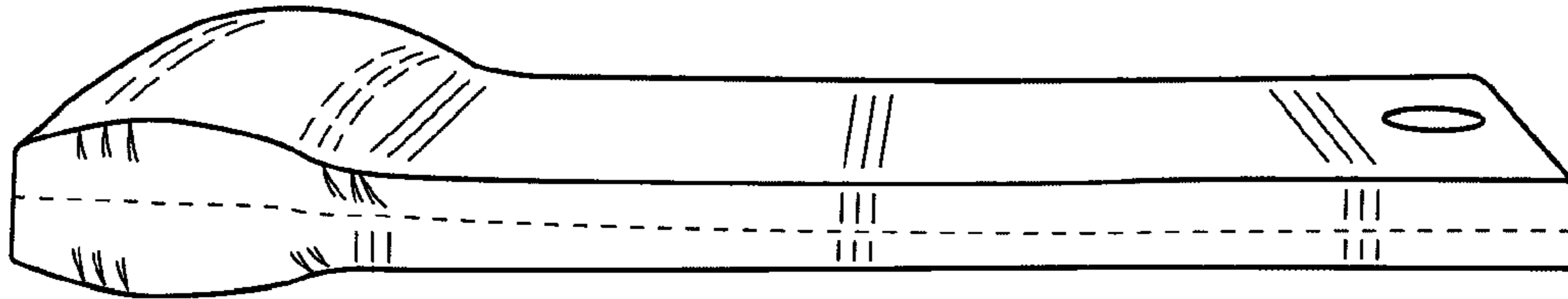


FIG. 4

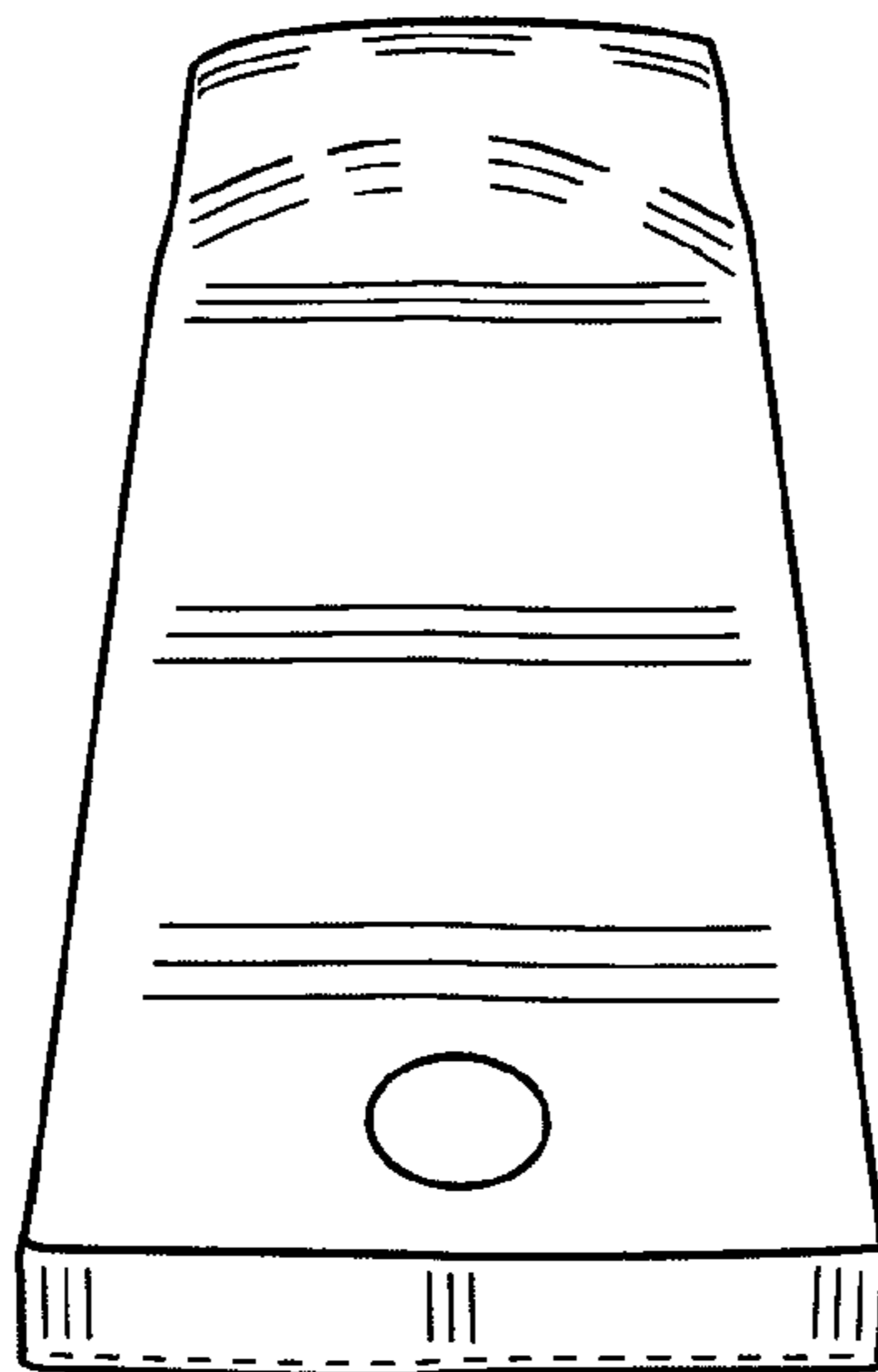


FIG. 5