



US00D650210S

(12) **United States Design Patent**
Spoljaric et al.

(10) **Patent No.:** **US D650,210 S**

(45) **Date of Patent:** **** Dec. 13, 2011**

(54) **PLASTER DISPENSER**

(75) Inventors: **Davorin Spoljaric**, Helsinki (FI); **Johan Safstrom**, Stockholm (SE); **Yvonne Tornevik**, Solna (SE)

(73) Assignee: **Cederroth AB**, Upplands Vasby (SE)

(**) Term: **14 Years**

(21) Appl. No.: **29/384,055**

(22) Filed: **Jan. 26, 2011**

(30) **Foreign Application Priority Data**

Jul. 27, 2010 (EM) 001736398

Dec. 1, 2010 (WO) 576368201

(51) **LOC (9) Cl.** **20-02**

(52) **U.S. Cl.** **D6/515**

(58) **Field of Classification Search** D6/515-519;
206/225, 233, 389, 391, 440, 441; 211/13.1,
211/45; 222/173, 180; 221/16, 33, 282,
221/283; 242/925, 570, 590; 248/309.1,
248/309.2, 905

See application file for complete search history.

(56) **References Cited**

U.S. PATENT DOCUMENTS

3,520,403 A * 7/1970 Moshel 206/441
D395,566 S * 6/1998 Helseth D6/515
6,918,488 B2 * 7/2005 Renhed 206/440
D578,328 S * 10/2008 Plum et al. D6/515

* cited by examiner

Primary Examiner — Brian N Vinson

(74) *Attorney, Agent, or Firm* — Young & Thompson

(57) **CLAIM**

The ornamental design for a plaster dispenser, as shown and described.

DESCRIPTION

FIG. 1 is a top and side perspective view of a plaster dispenser showing our new design;

FIG. 2 is a front elevational view thereof;

FIG. 3 is a side elevational view thereof from the right of FIG. 2;

FIG. 4 is a rear elevational view thereof;

FIG. 5 is a top plan view thereof;

FIG. 6 is a side elevational view thereof from the left of FIG. 2; and

FIG. 7 is a bottom plan view thereof; and,

FIGS. 8-14 are views similar to FIGS. 1-7, respectively, but showing the parts in a different position.

1 Claim, 14 Drawing Sheets

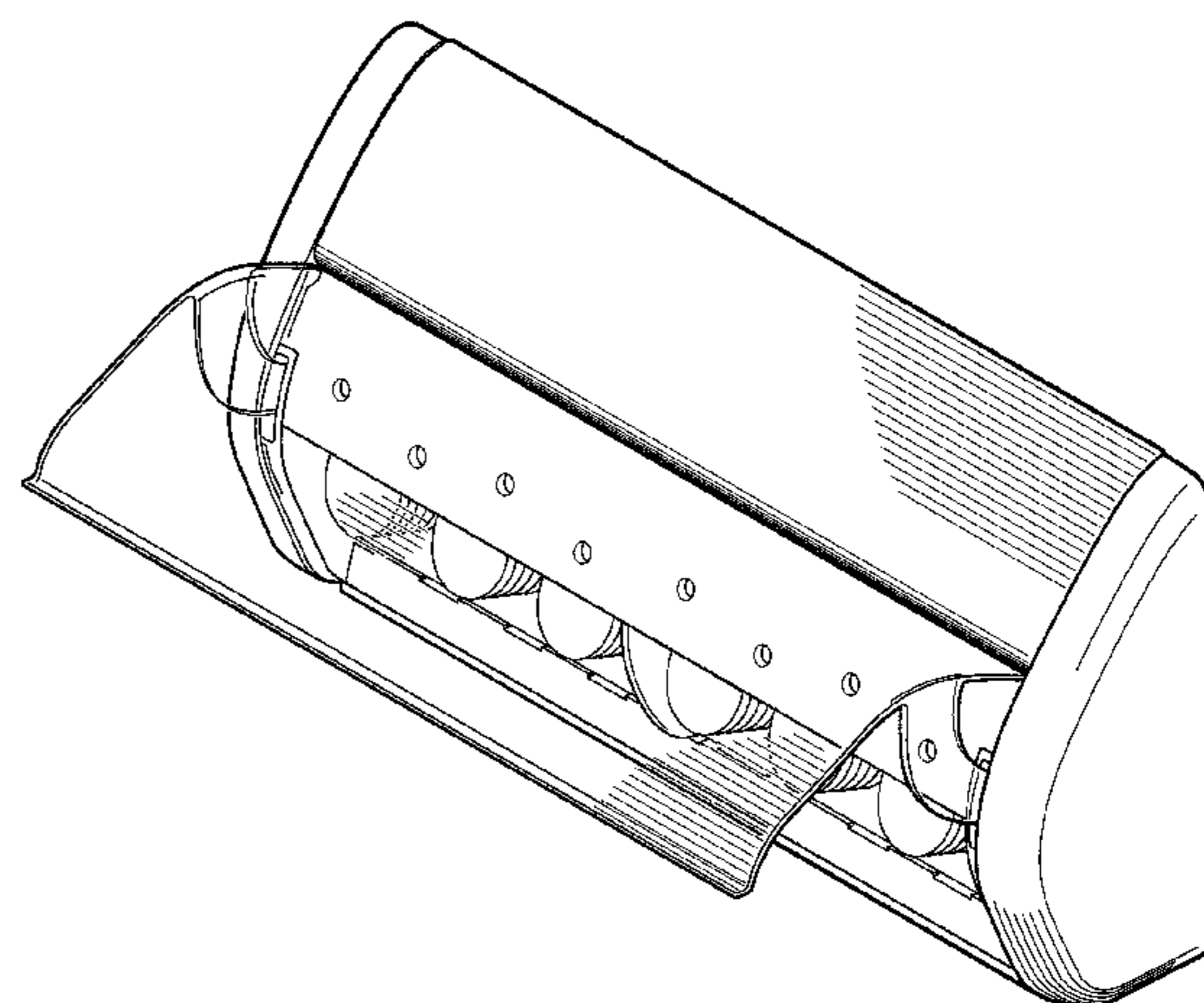
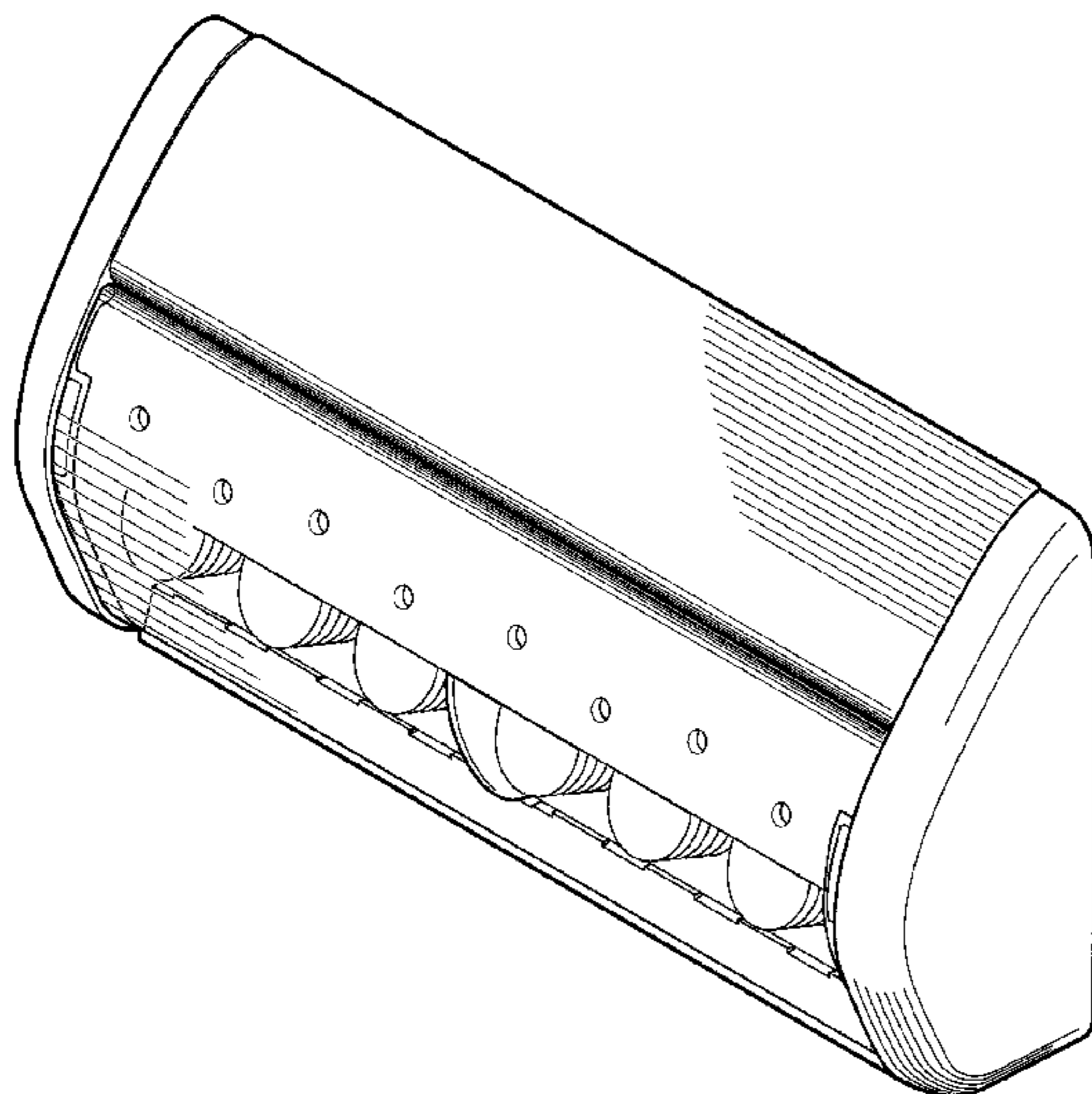


Fig. 1

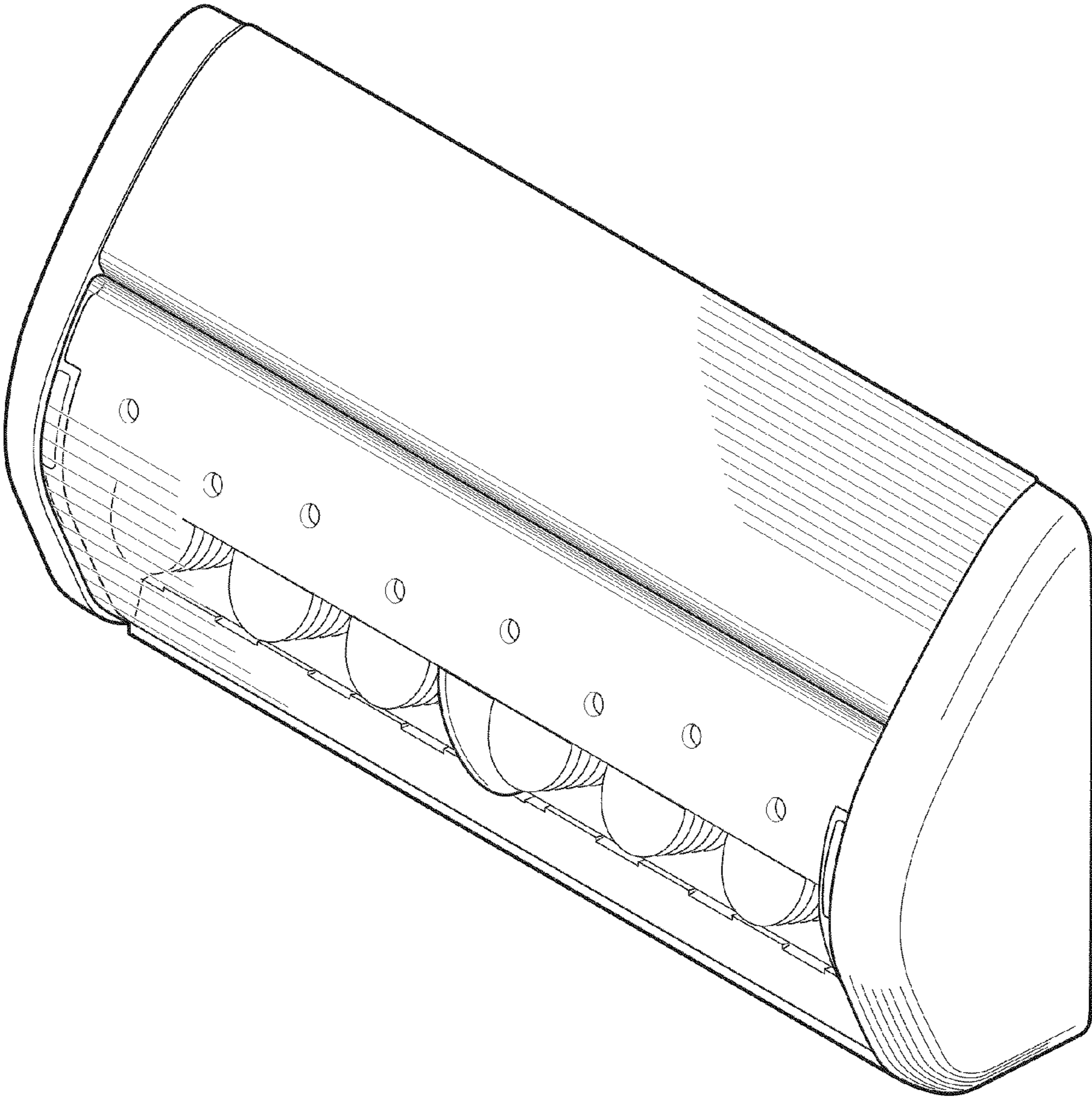


Fig. 2

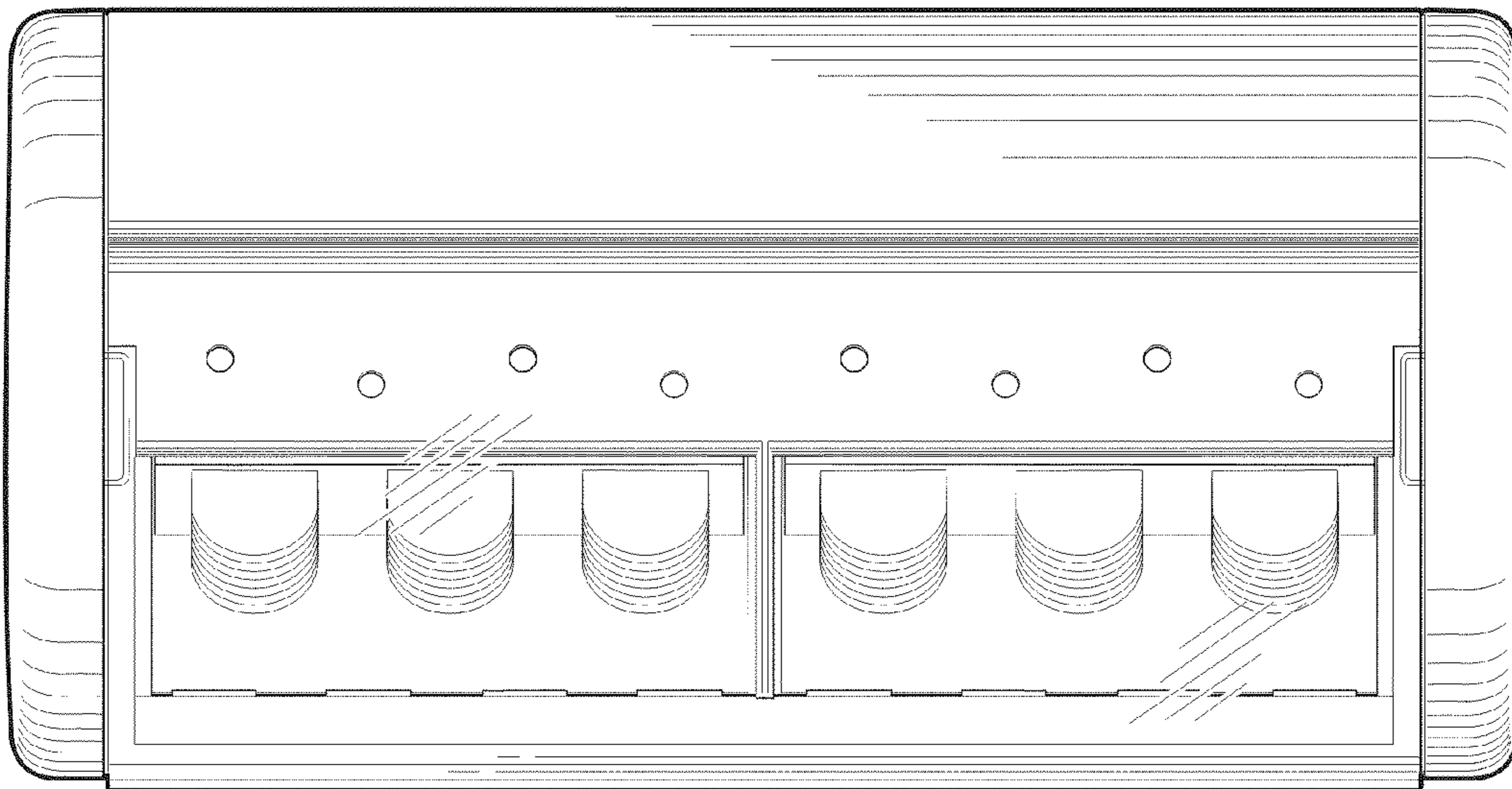


Fig. 3

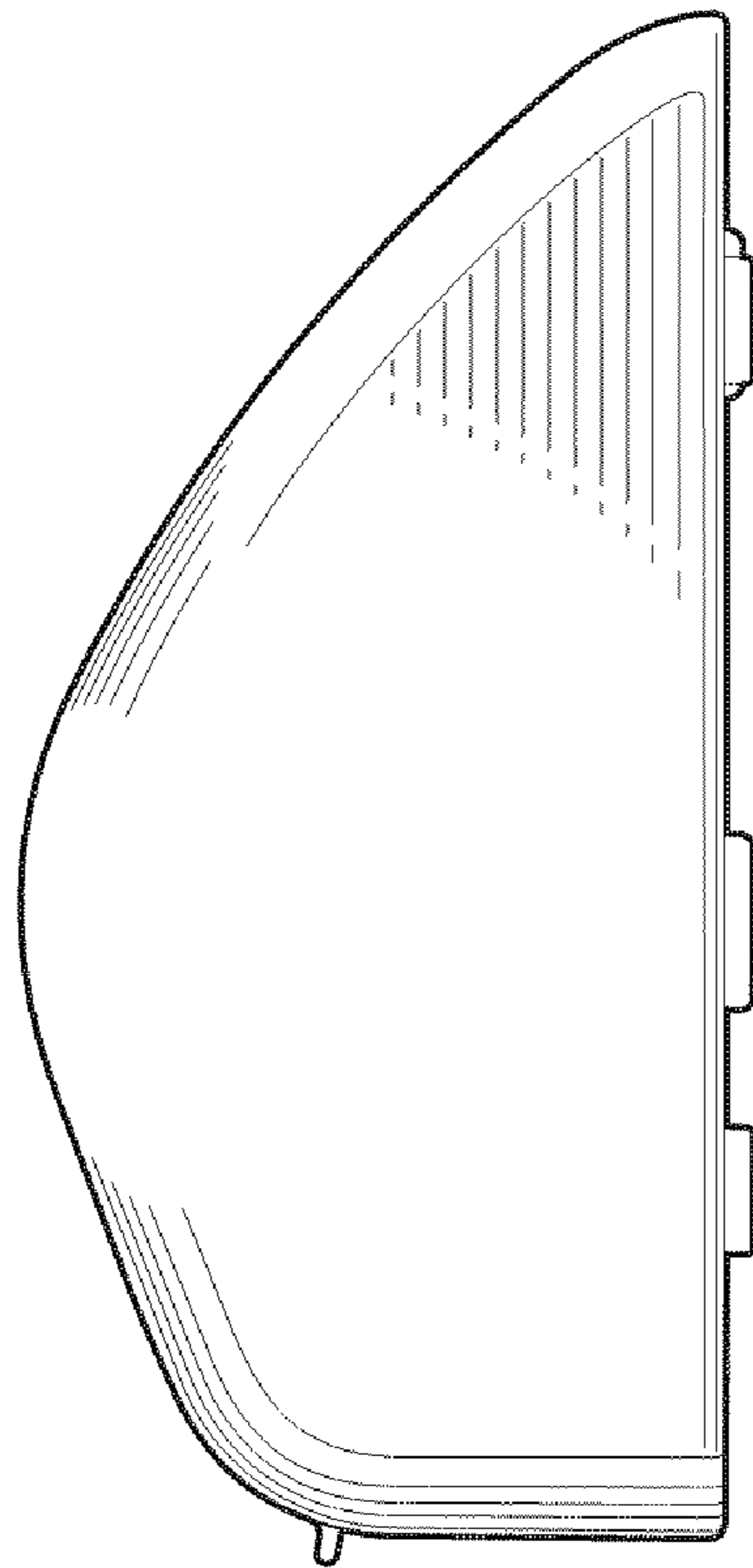


Fig. 4

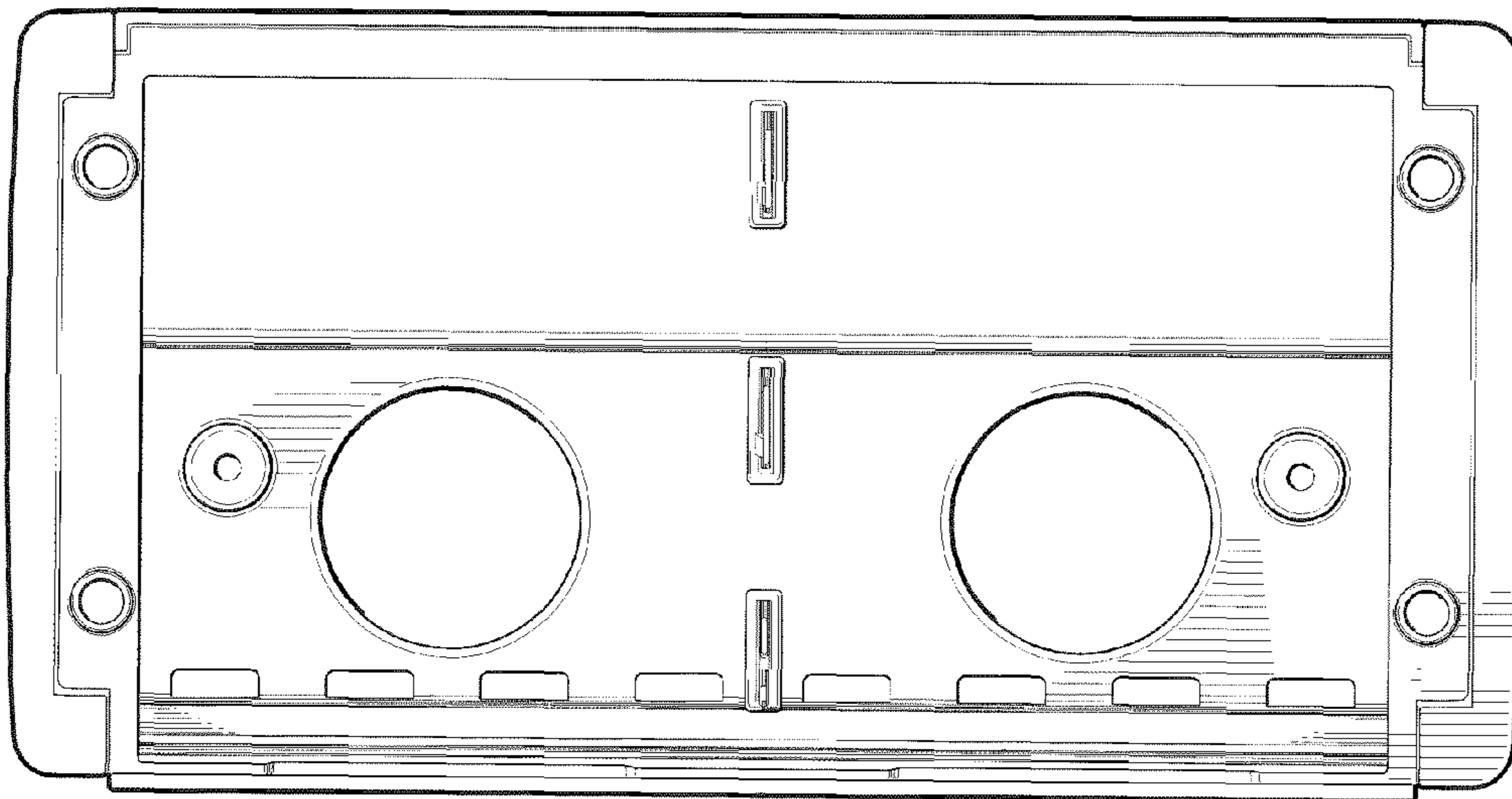


Fig. 5

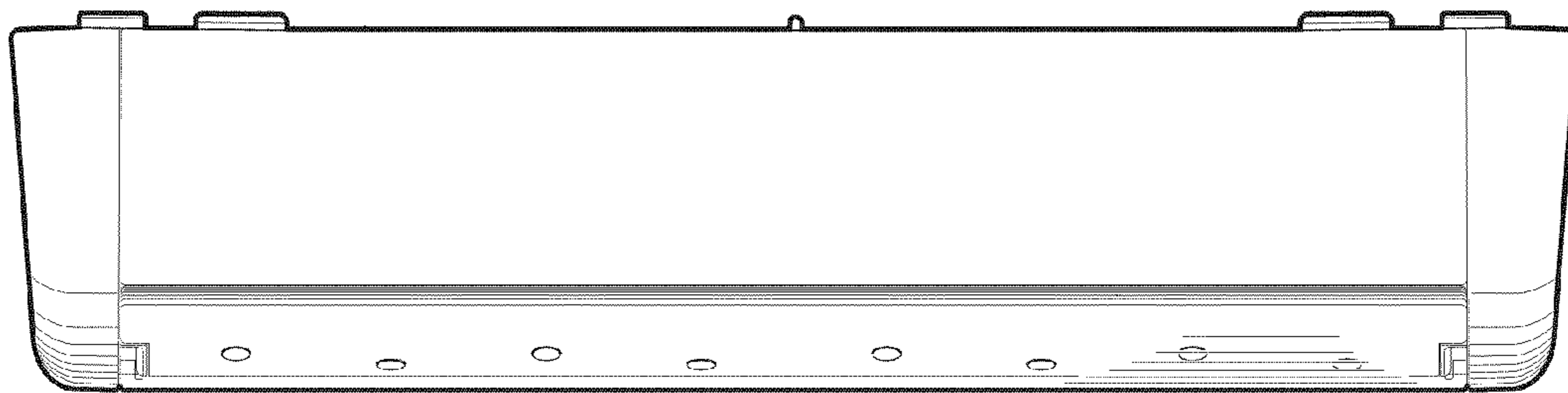


Fig. 6

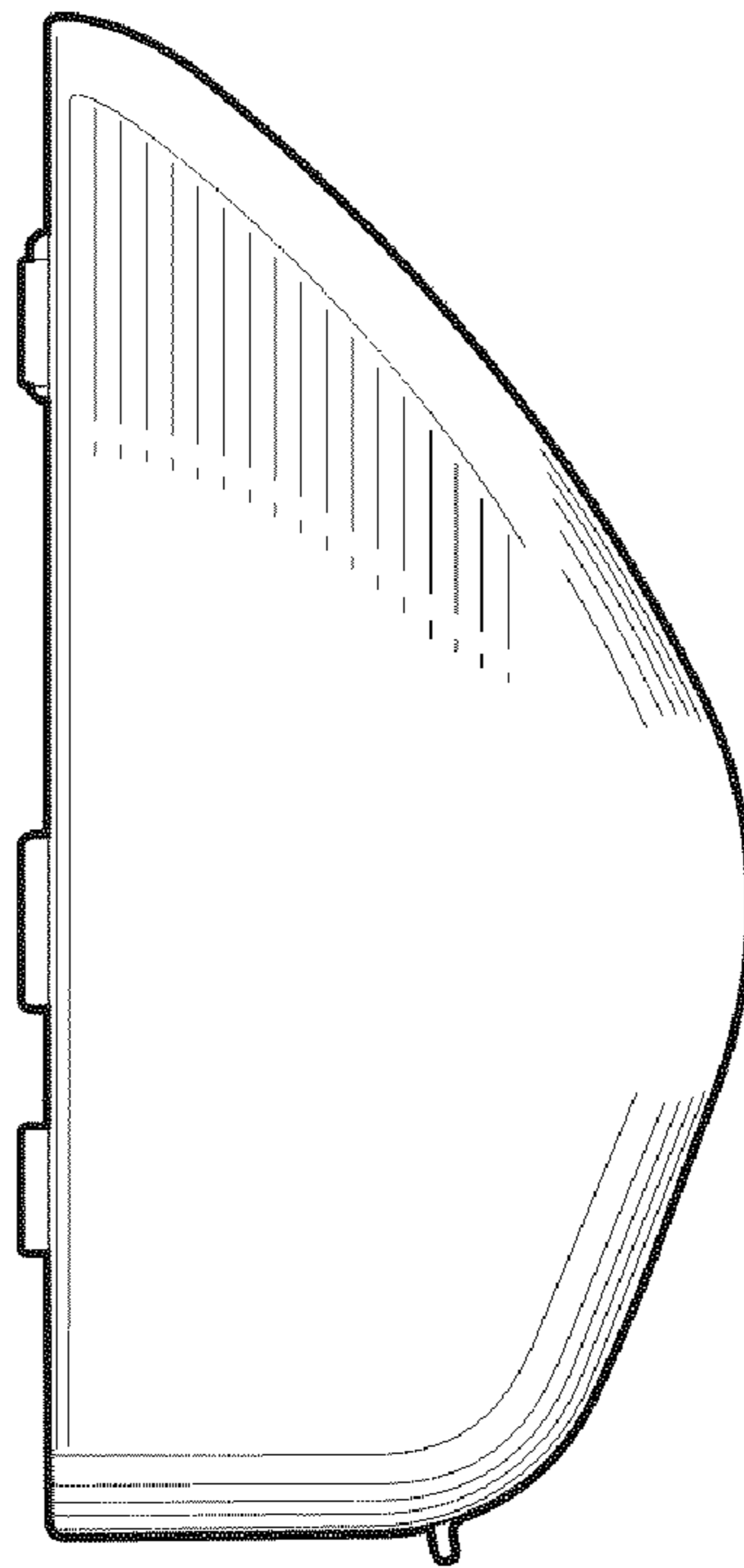


Fig. 7

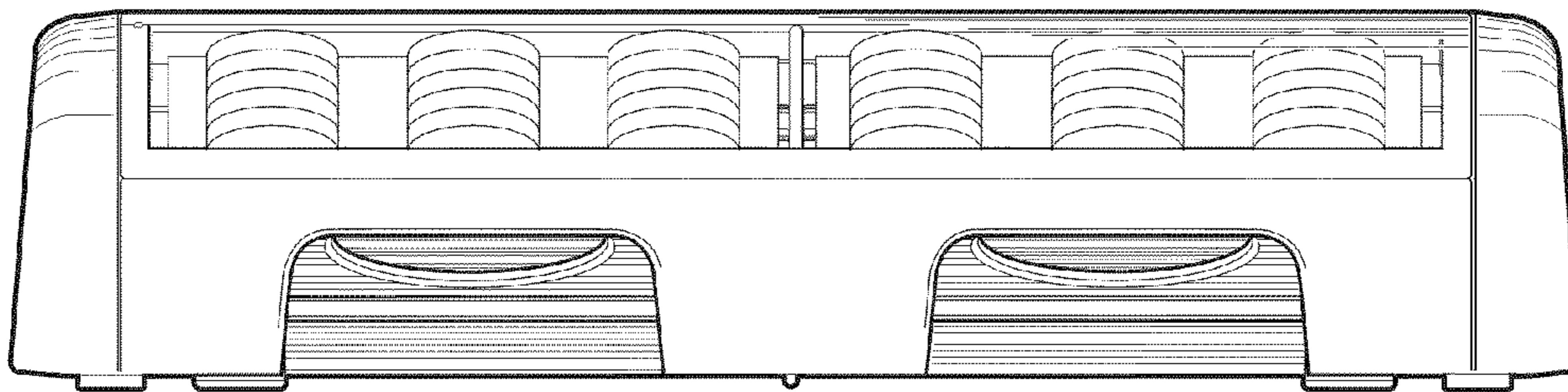


Fig. 8

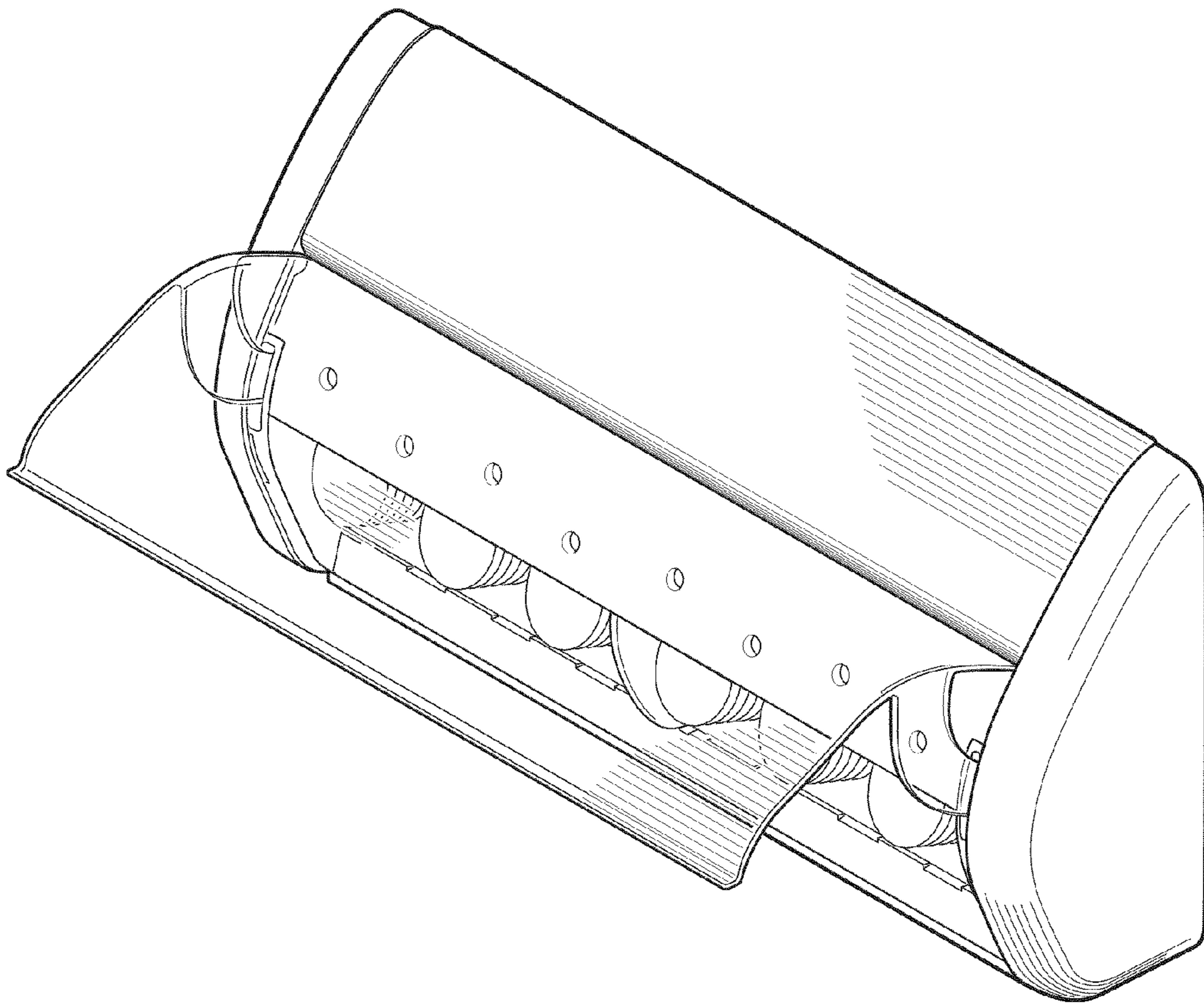


Fig. 9

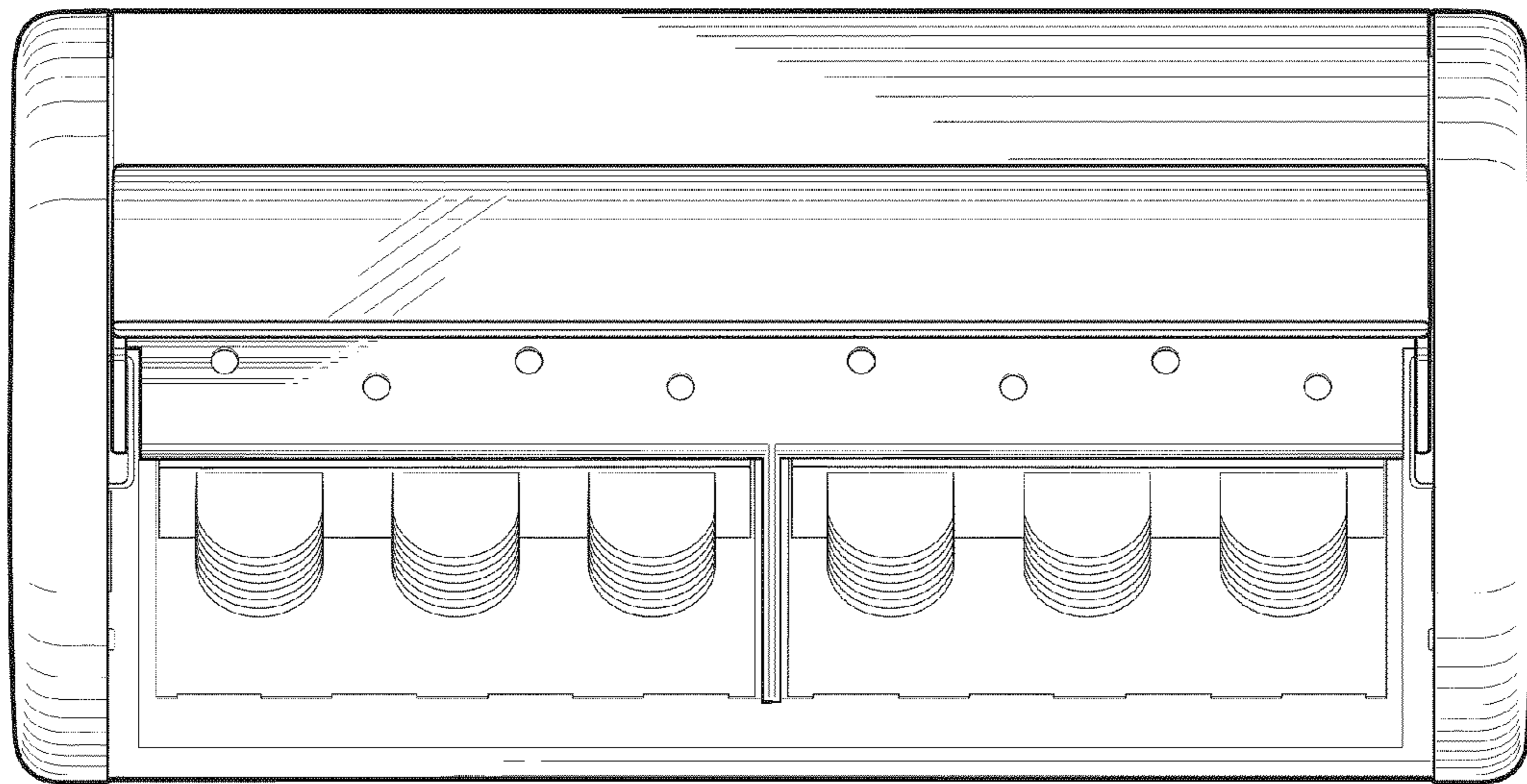


Fig. 10

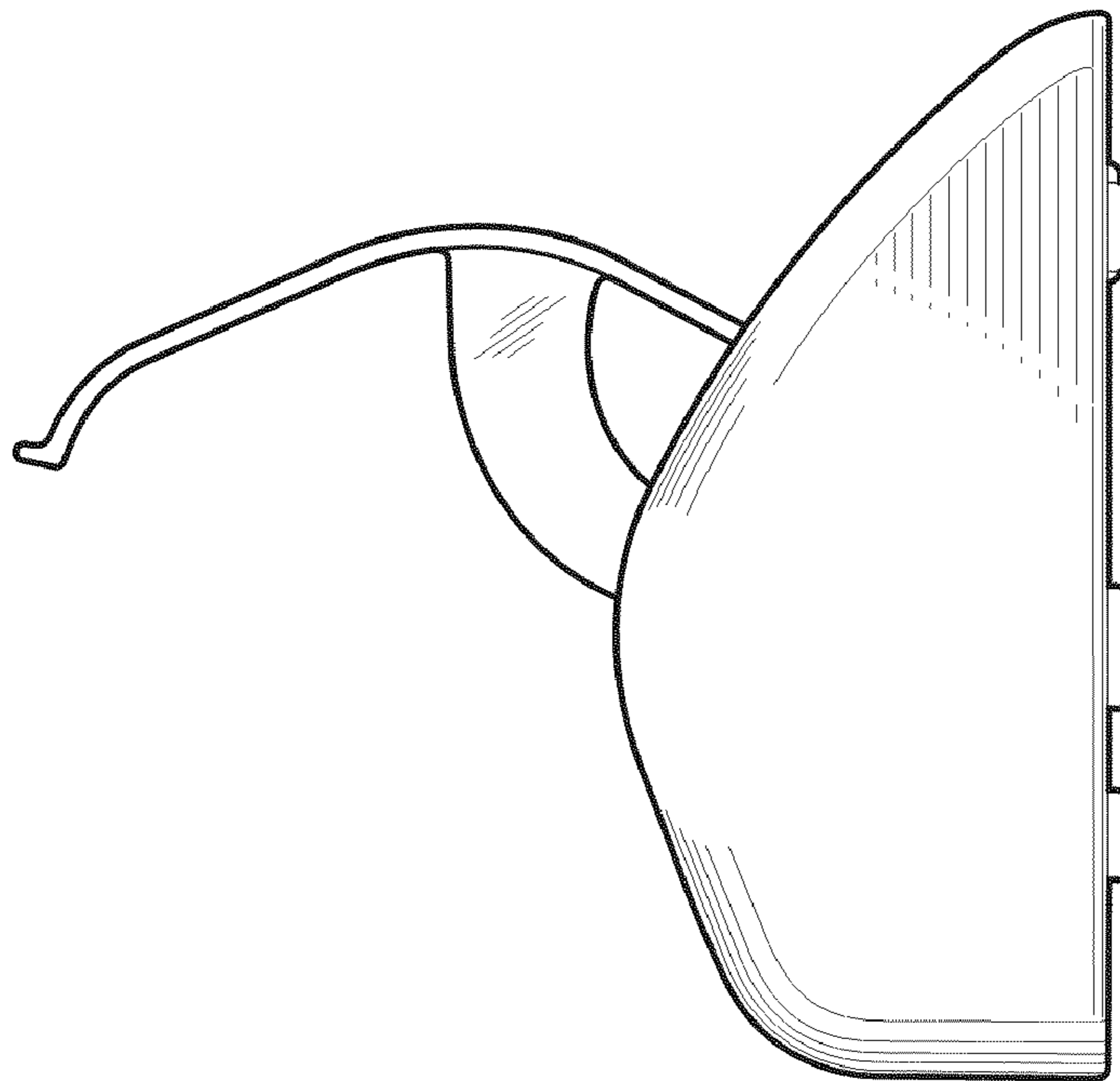


Fig. 11

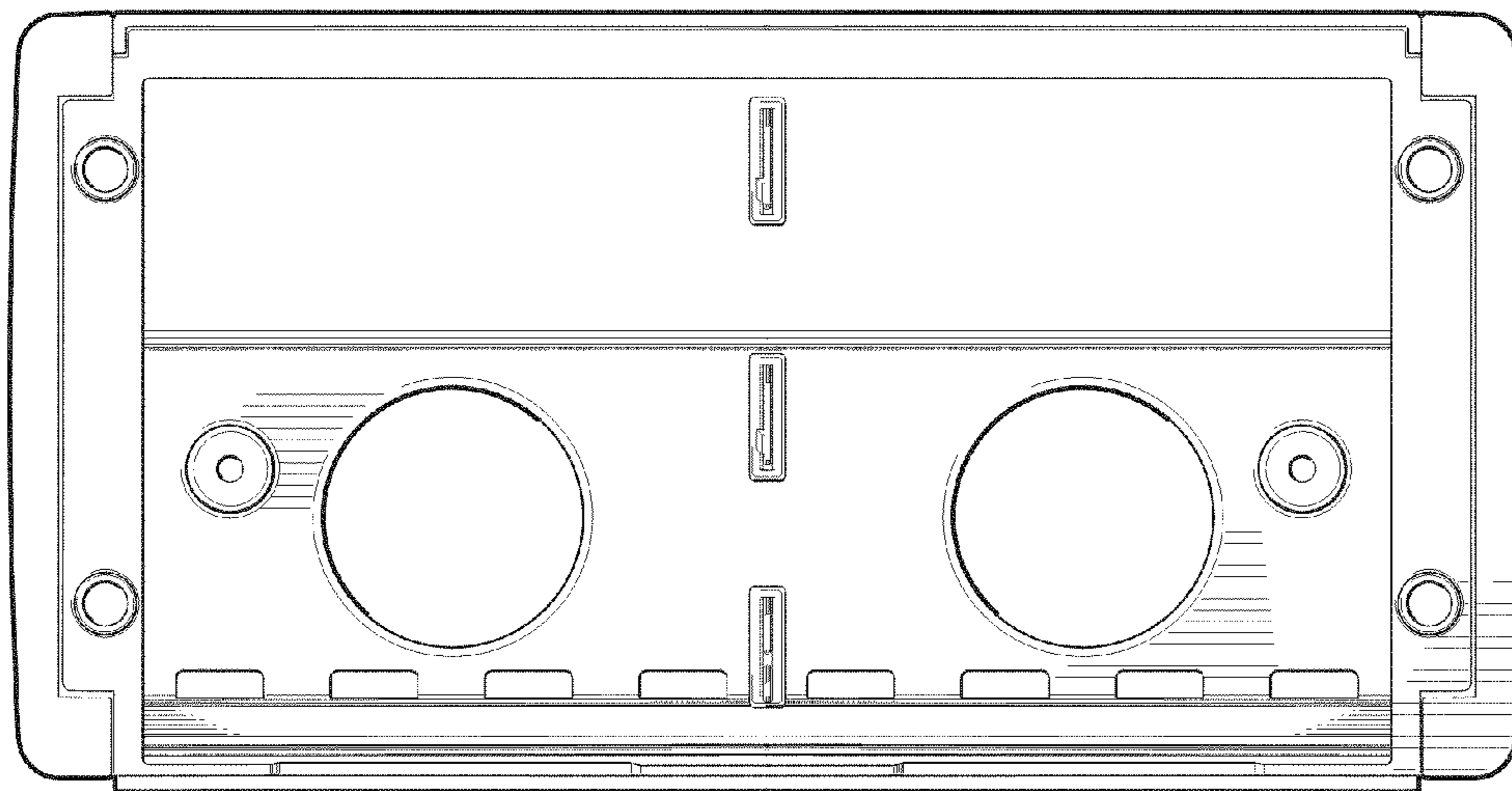


Fig. 12

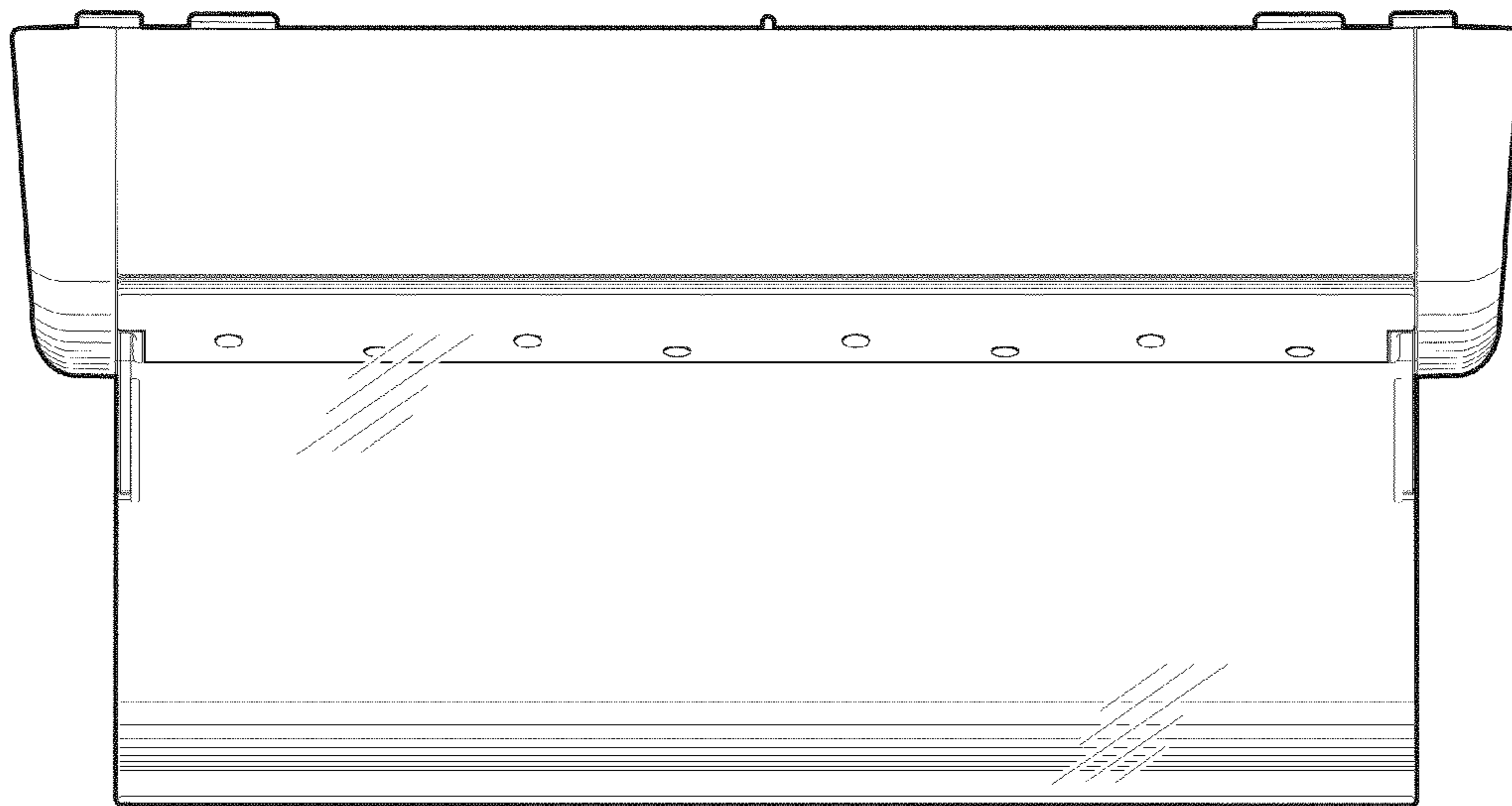


Fig. 13

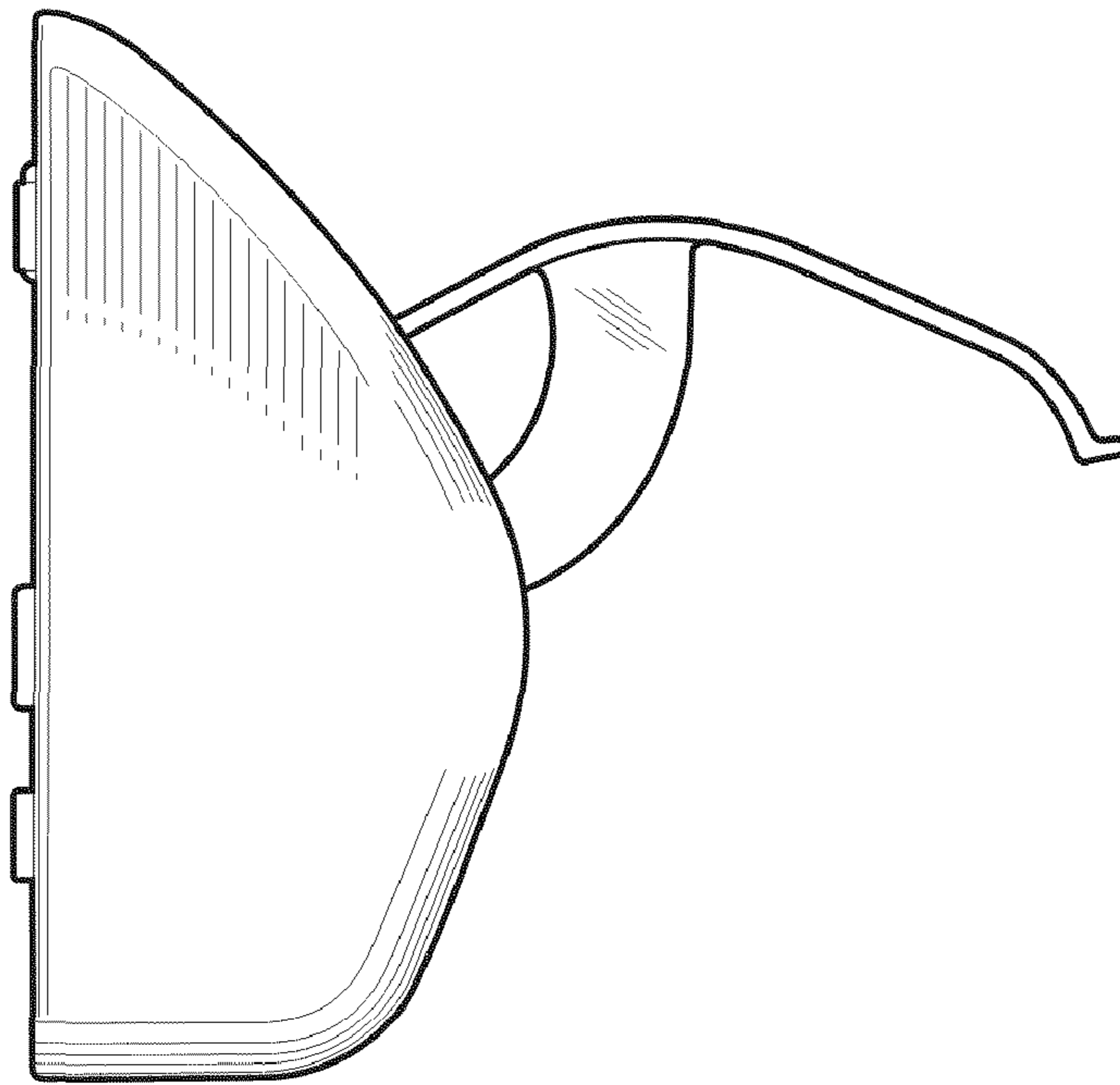


Fig. 14

