



US00D650208S

(12) **United States Design Patent**
Soriano et al.

(10) **Patent No.:** **US D650,208 S**

(45) **Date of Patent:** **** Dec. 13, 2011**

(54) **INFANT JUMPER**

(75) Inventors: **Alex Soriano**, Atlanta, GA (US); **Jeff Tadin**, Canton, GA (US)

(73) Assignee: **Kids II, Inc.**, Alpharetta, GA (US)

(**) Term: **14 Years**

(21) Appl. No.: **29/388,231**

(22) Filed: **Mar. 25, 2011**

Related U.S. Application Data

(63) Continuation-in-part of application No. 29/369,943, filed on Sep. 15, 2010.

(51) **LOC (9) Cl.** **06-01**

(52) **U.S. Cl.** **D6/500; D21/412**

(58) **Field of Classification Search** D6/333-334, D6/344, 338, 374, 379, 386, 500-502; 297/273-275, 297/278, 16.1, 452.63, 256.16, 277, 259.3; 5/120, 122-130; 472/103, 118, 135; 482/69, 482/77, 78, 143; 224/158-161; D21/412, D21/413-417, 823, 828, 814
See application file for complete search history.

(56) **References Cited**

U.S. PATENT DOCUMENTS

D255,180	S	*	6/1980	Raz	D3/214
D292,653	S	*	11/1987	Church et al.	D6/333
4,844,452	A	*	7/1989	Tomosky et al.	297/274
4,948,120	A		8/1990	Krueger et al.		
5,328,410	A		7/1994	Amburgey et al.		
D360,905	S	*	8/1995	Meeker et al.	D21/415
5,499,949	A		3/1996	Heubl		
D376,264	S	*	12/1996	Cone et al.	D6/333
5,690,383	A		11/1997	Meeker		
5,704,882	A		1/1998	Coates et al.		
5,857,944	A		1/1999	Cone		
5,876,311	A		3/1999	Coates et al.		
D439,062	S	*	3/2001	McGinnis et al.	D6/347
6,425,842	B1		7/2002	Stern		

D497,725	S	*	11/2004	Marmentini	D6/347
6,854,799	B1		2/2005	Asbach		
6,932,709	B1		8/2005	Gubitosi et al.		
D570,123	S	*	6/2008	O'Shea	D6/347
7,438,644	B2		10/2008	Gubitosi et al.		
2006/0186716	A1		8/2006	Gubitosi et al.		
2007/0040431	A1		2/2007	Bapst et al.		
2008/0012409	A1		1/2008	Chen et al.		
2009/0033133	A1		2/2009	Barron et al.		

* cited by examiner

Primary Examiner — Caron D Veynar

Assistant Examiner — Abraham Bahta

(74) *Attorney, Agent, or Firm* — Alston & Bird LLP

(57) **CLAIM**

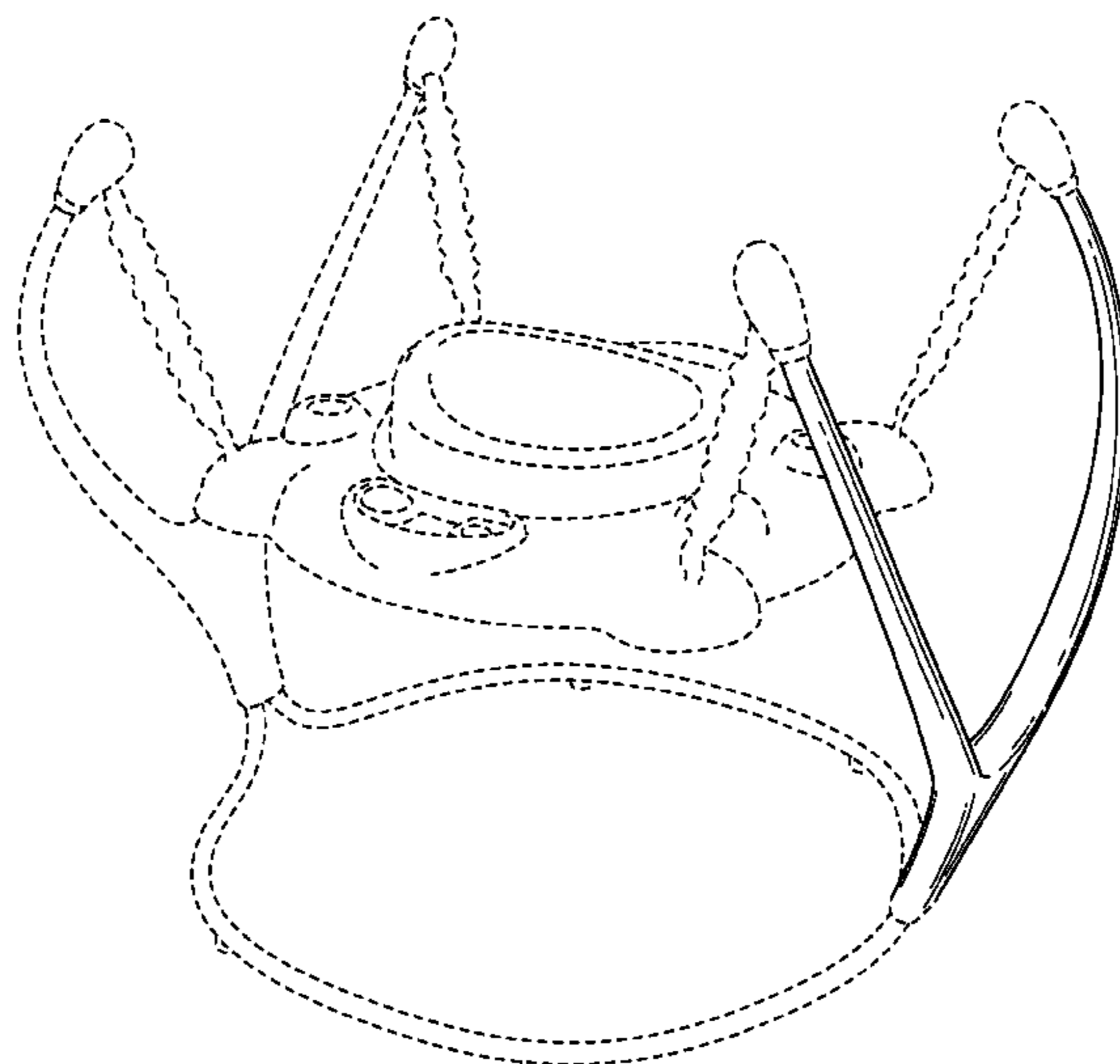
We claim the ornamental design for an infant jumper, as shown and described.

DESCRIPTION

FIG. 1 is a perspective view of an embodiment of an infant jumper showing our new design; FIG. 2 is a top plan view thereof; FIG. 3 is a front side elevation view thereof; FIG. 4 is a rear side view thereof; FIG. 5 is a right side elevation view thereof; FIG. 6 is a left side elevation view thereof; FIG. 7 is a perspective view of another embodiment of an infant jumper showing our new design; FIG. 8 is a top plan view thereof; FIG. 9 is a front side elevation view thereof; FIG. 10 is a rear side view thereof; FIG. 11 is a right side elevation view thereof; and, FIG. 12 is a left side elevation view thereof.

The broken lines immediately adjacent solid lines represent bounds of the claimed design and environment while all other broken lines are directed to environment and are for illustrative purposes only. The broken lines form no part of the claimed design.

1 Claim, 12 Drawing Sheets



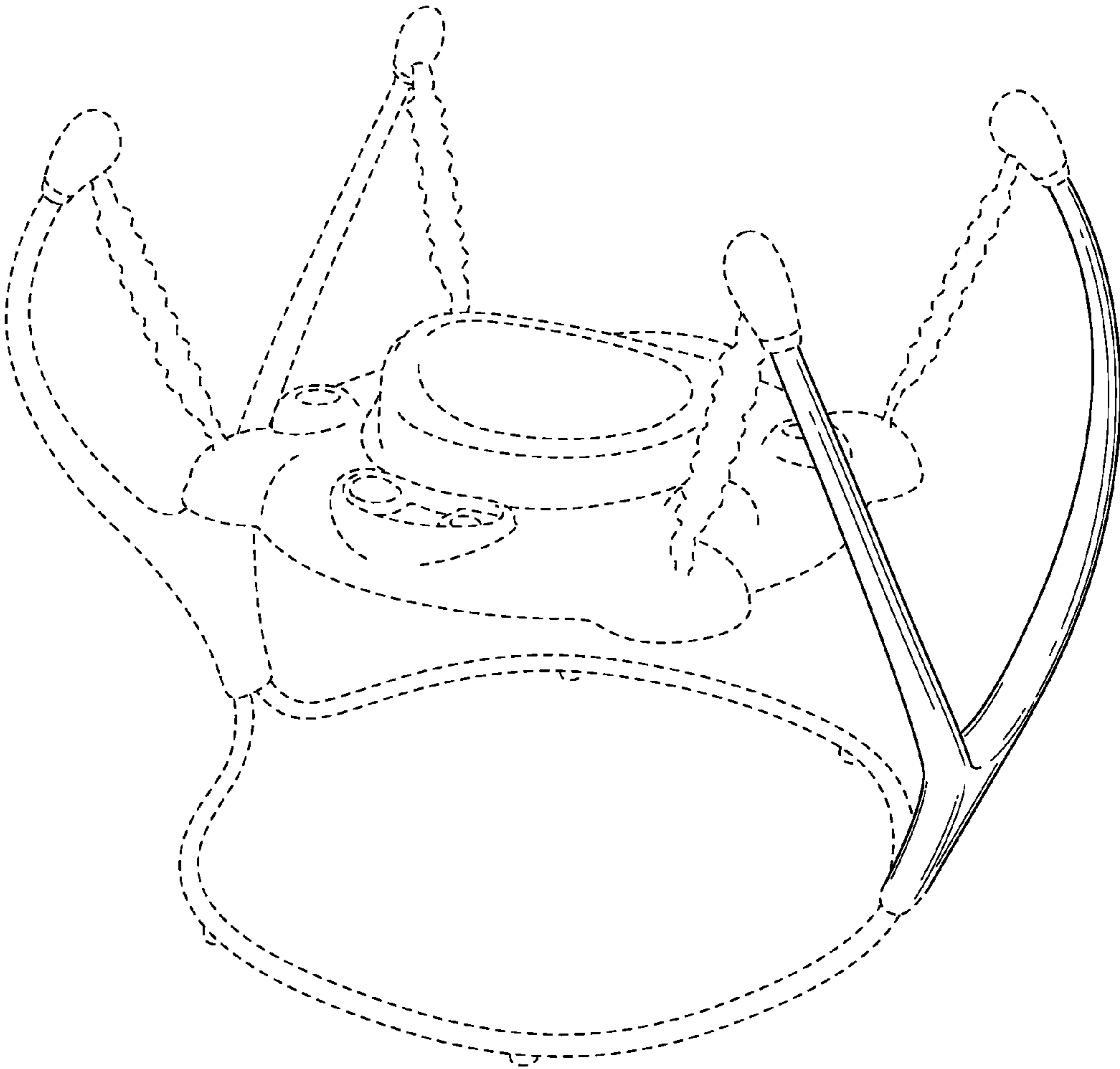


FIG. 1

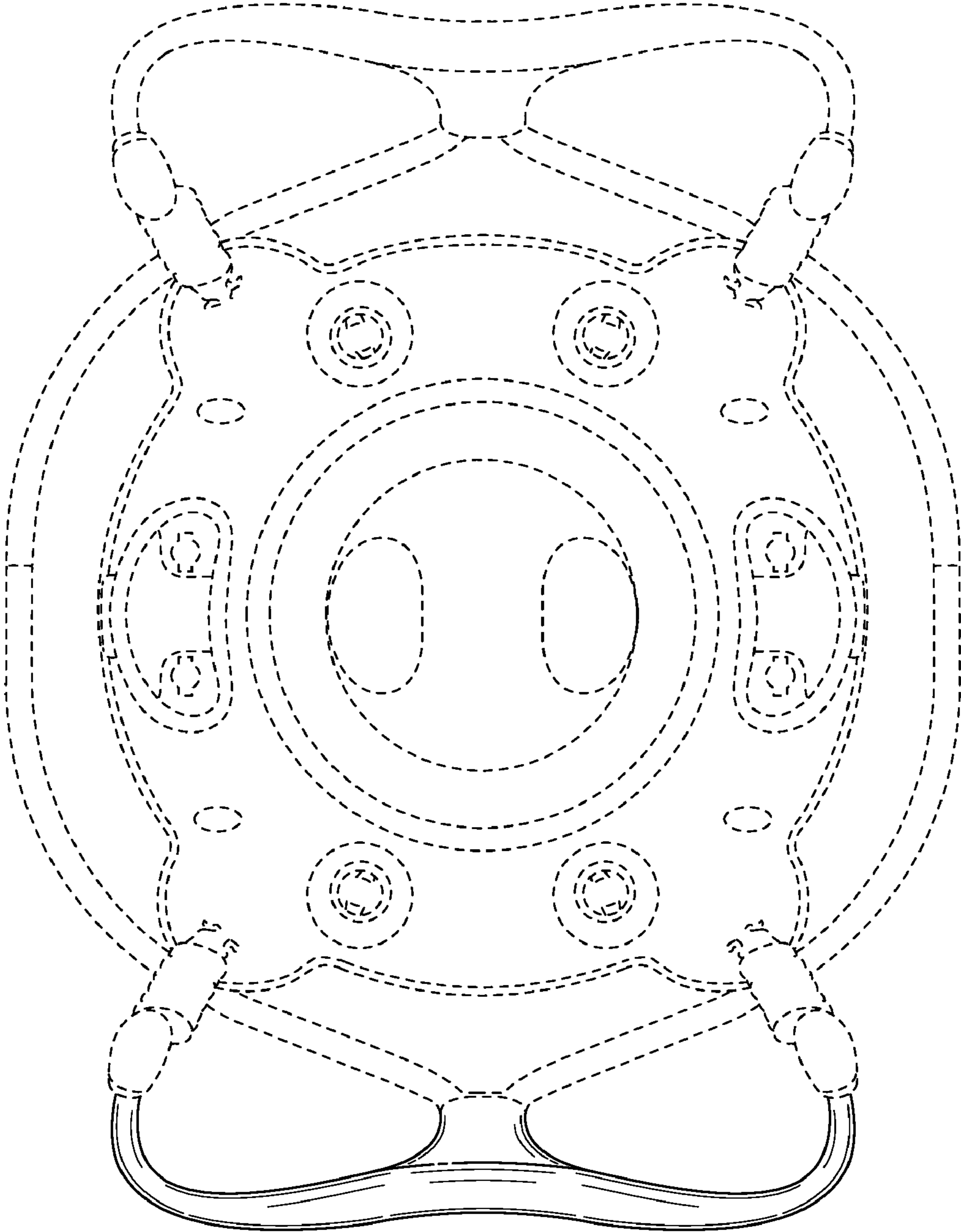


FIG. 2

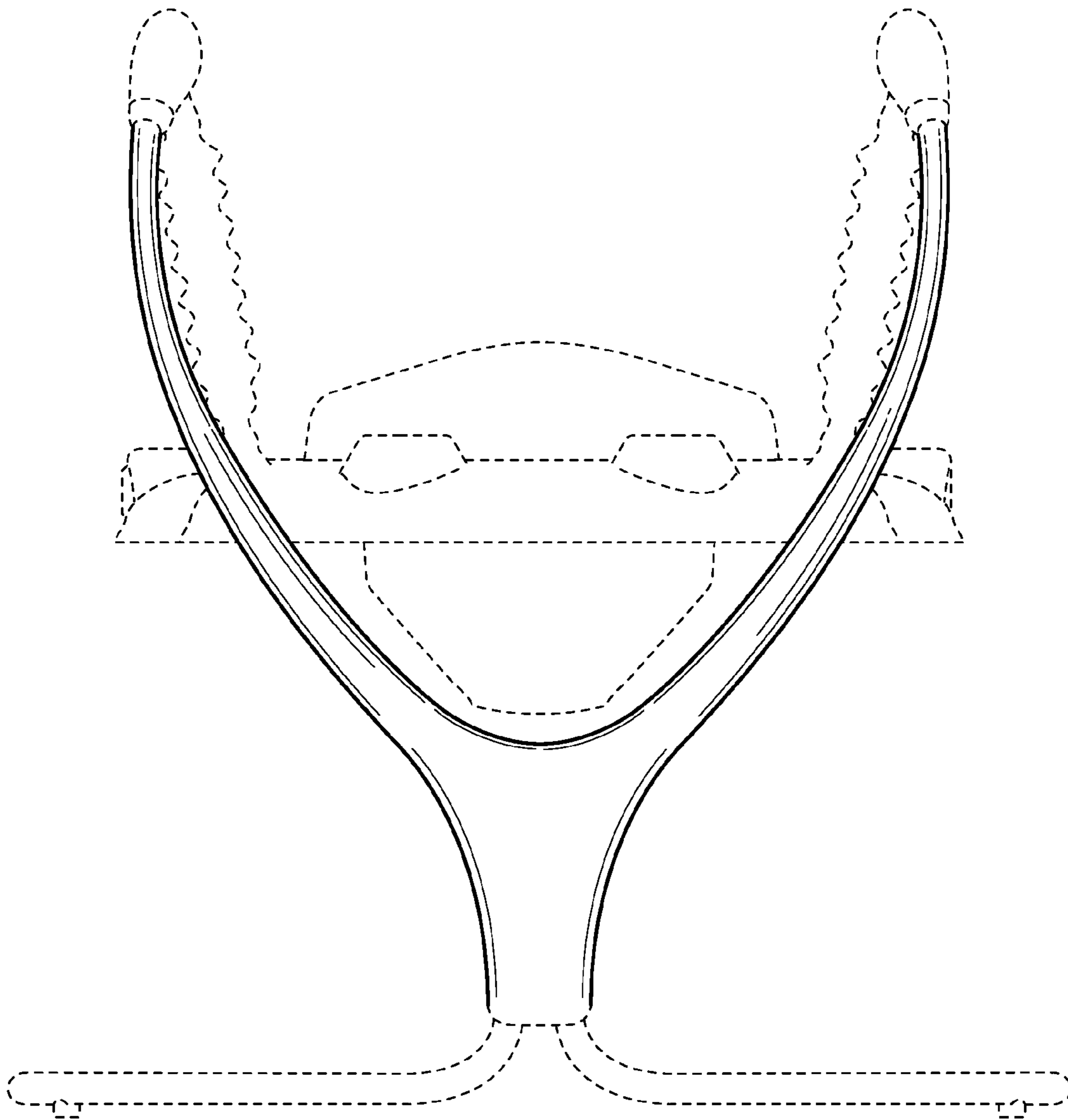


FIG. 3

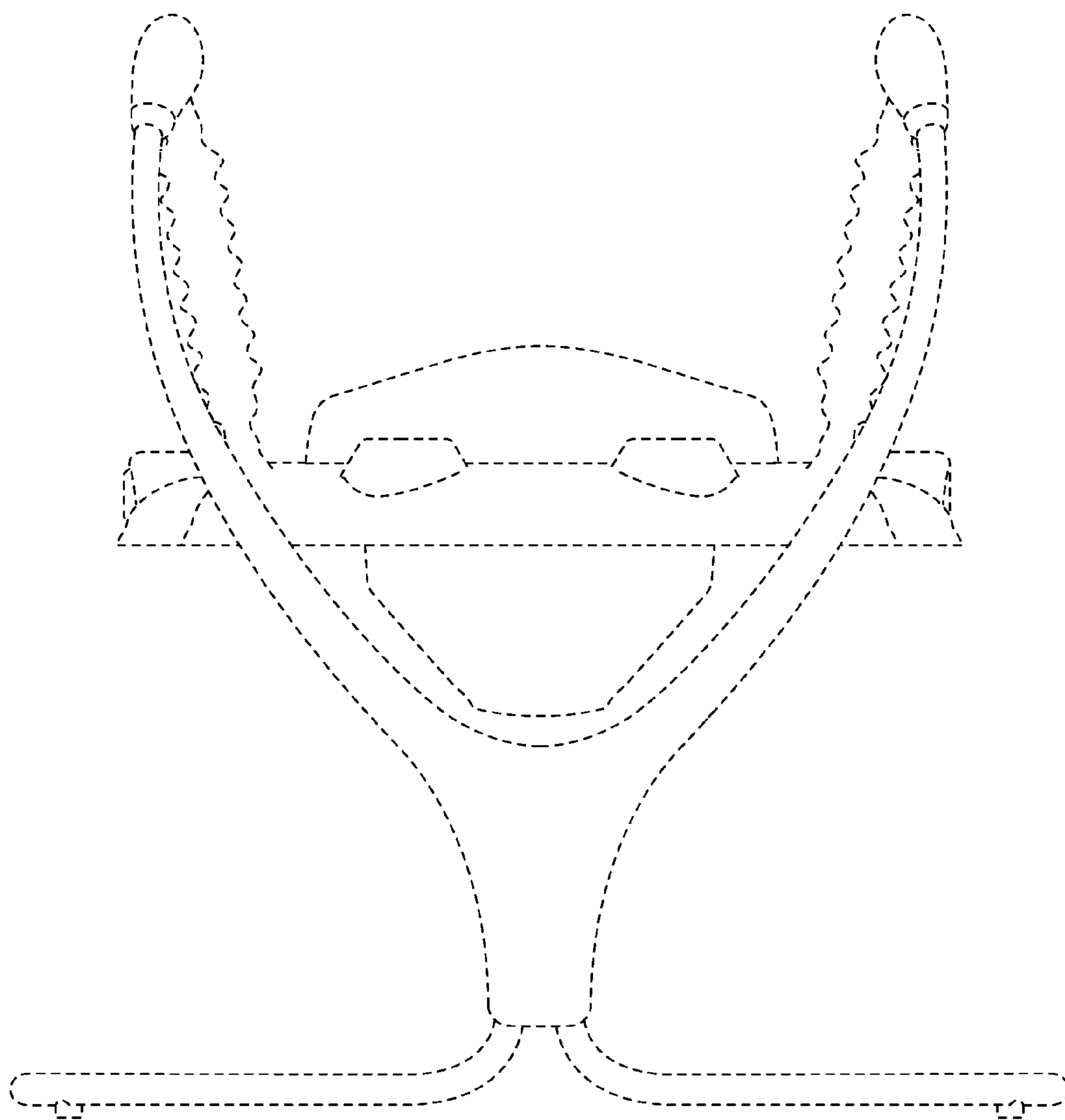


FIG. 4

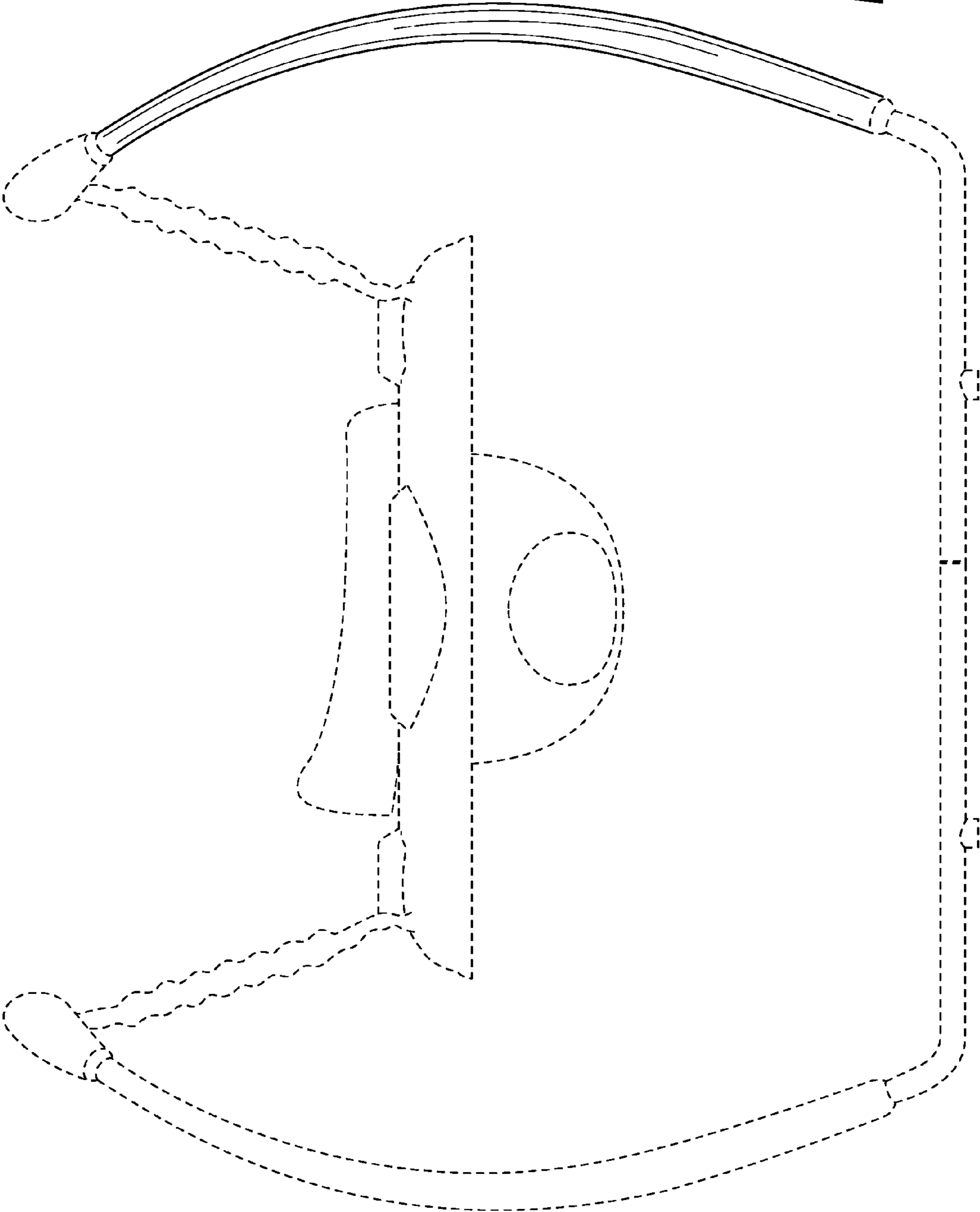


FIG. 5

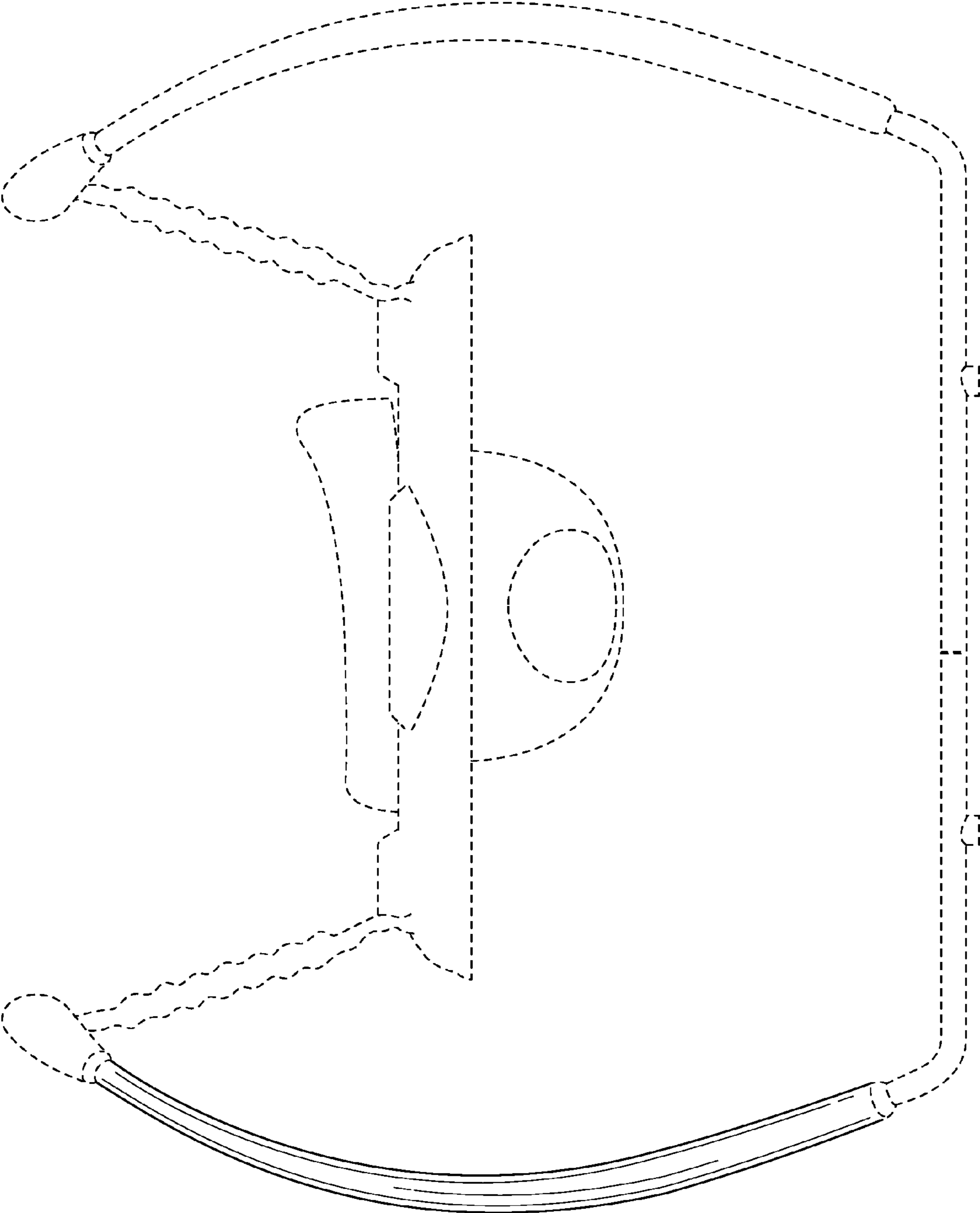


FIG. 6

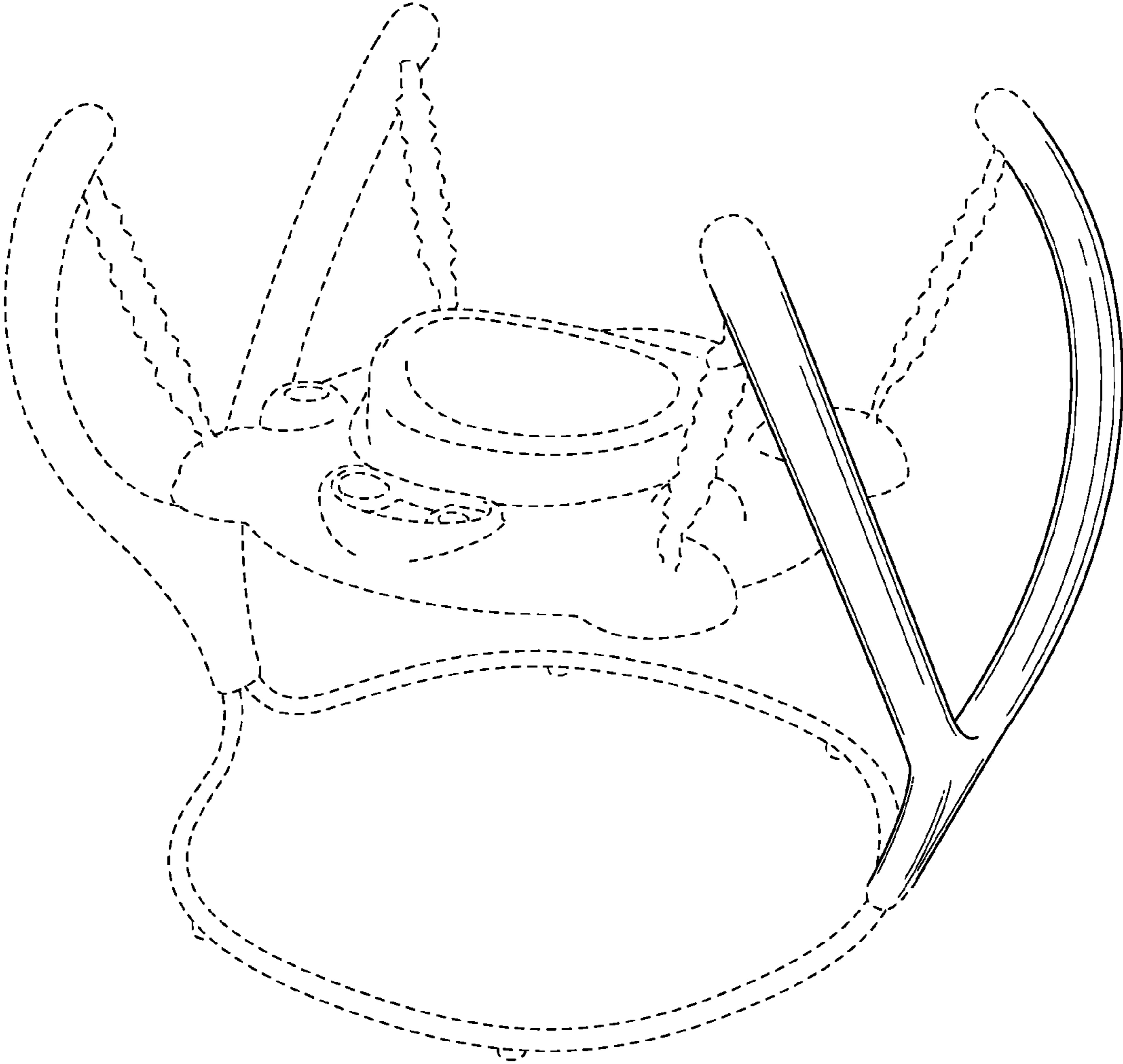


FIG. 7

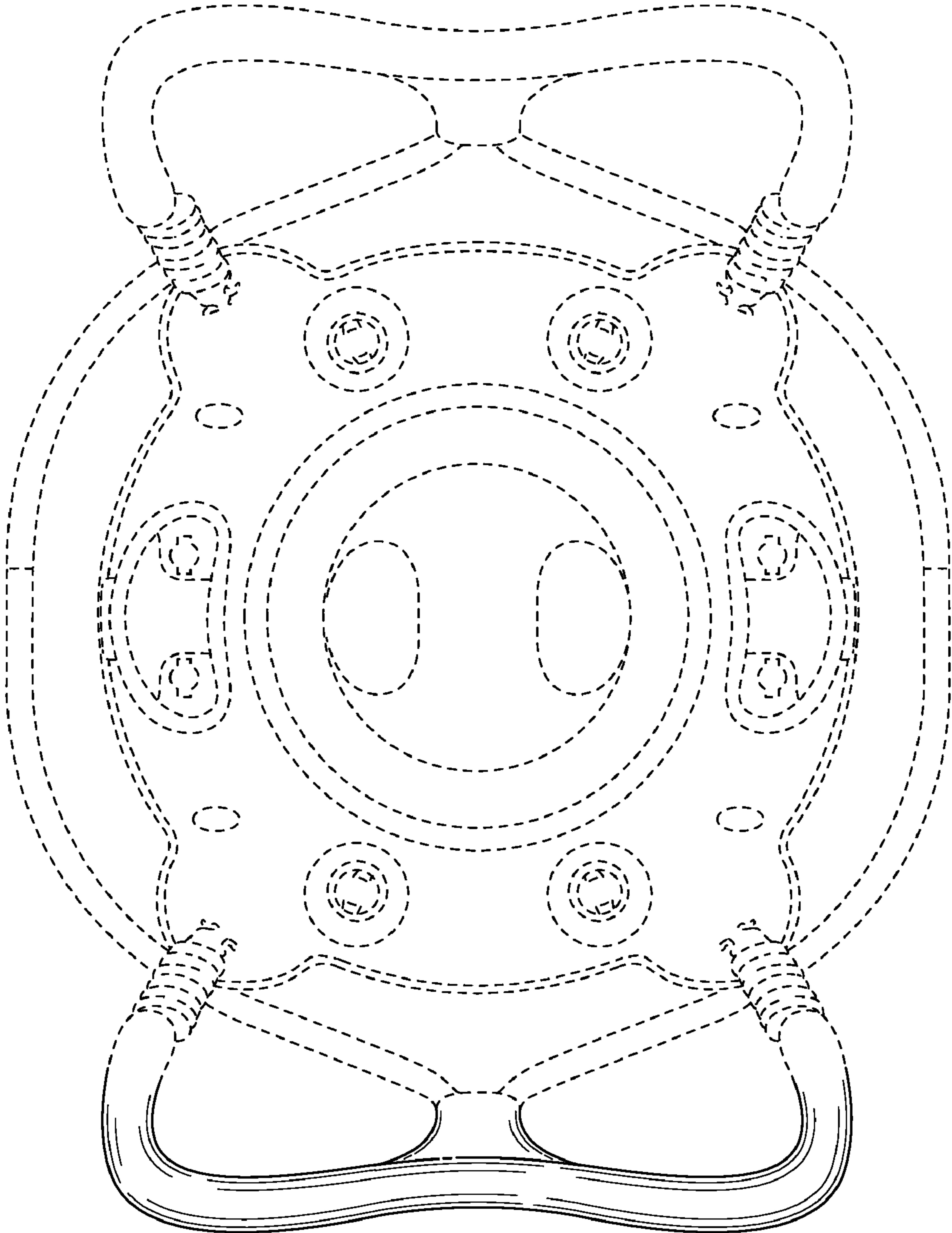


FIG. 8

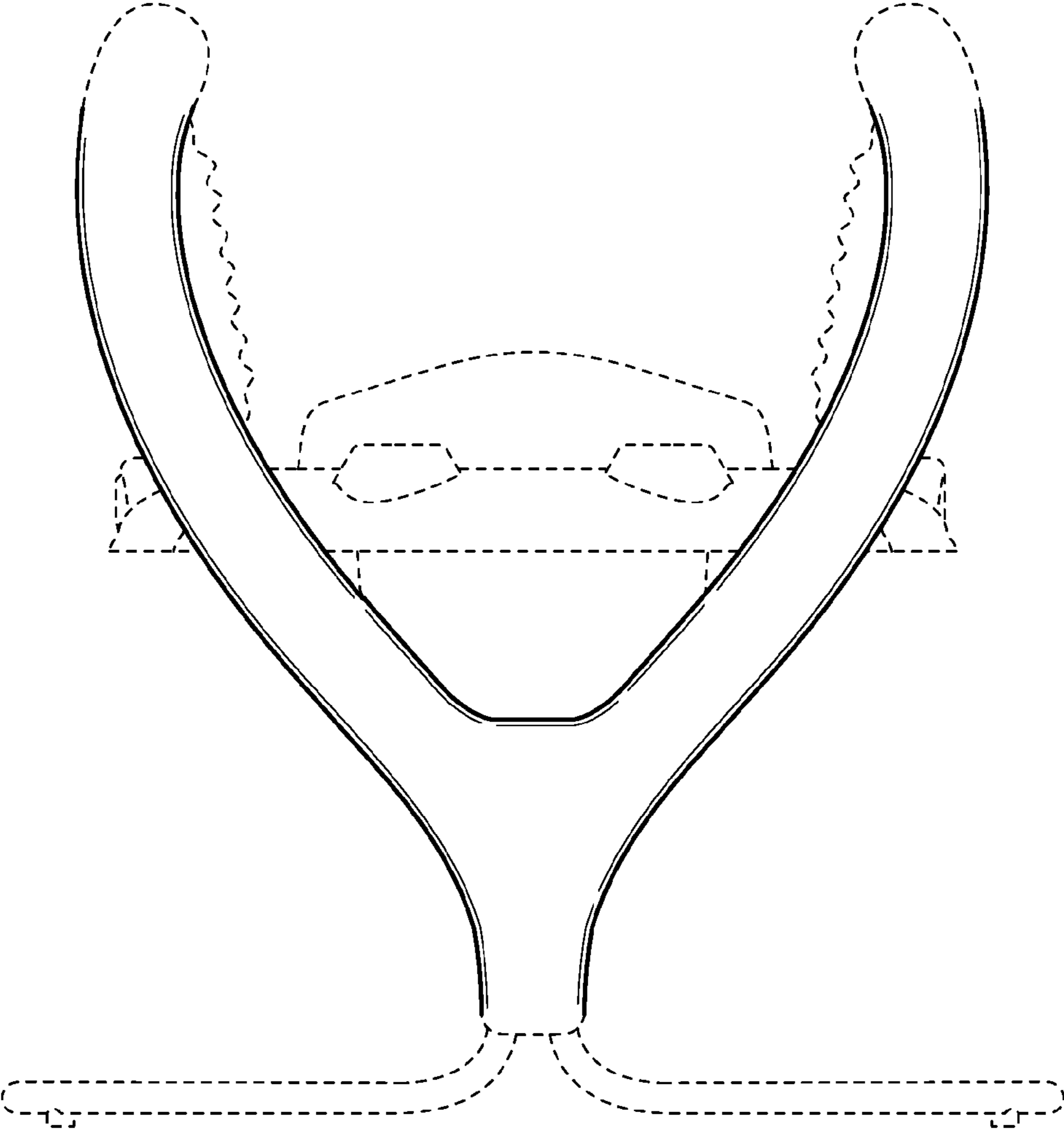


FIG. 9

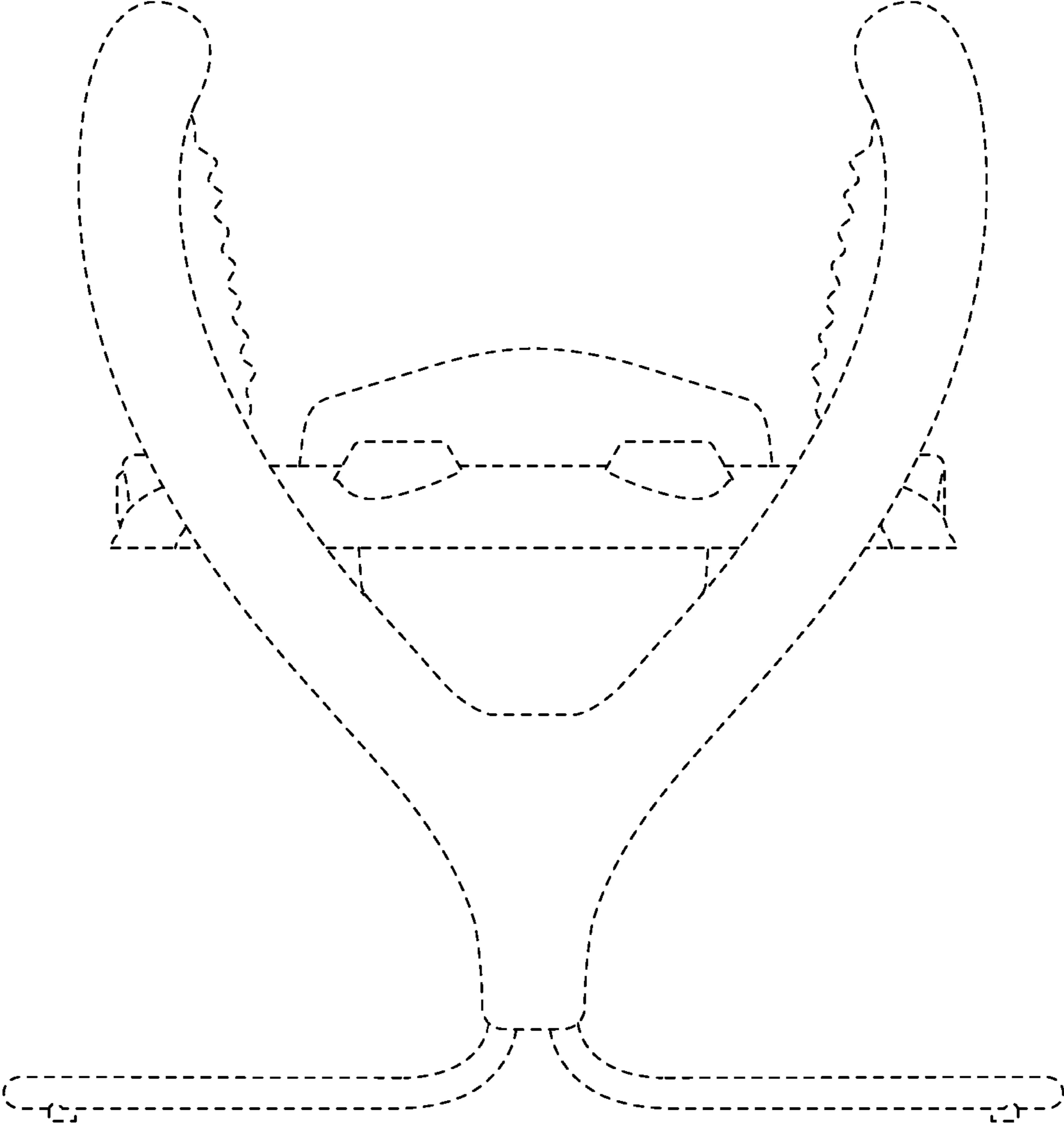


FIG. 10

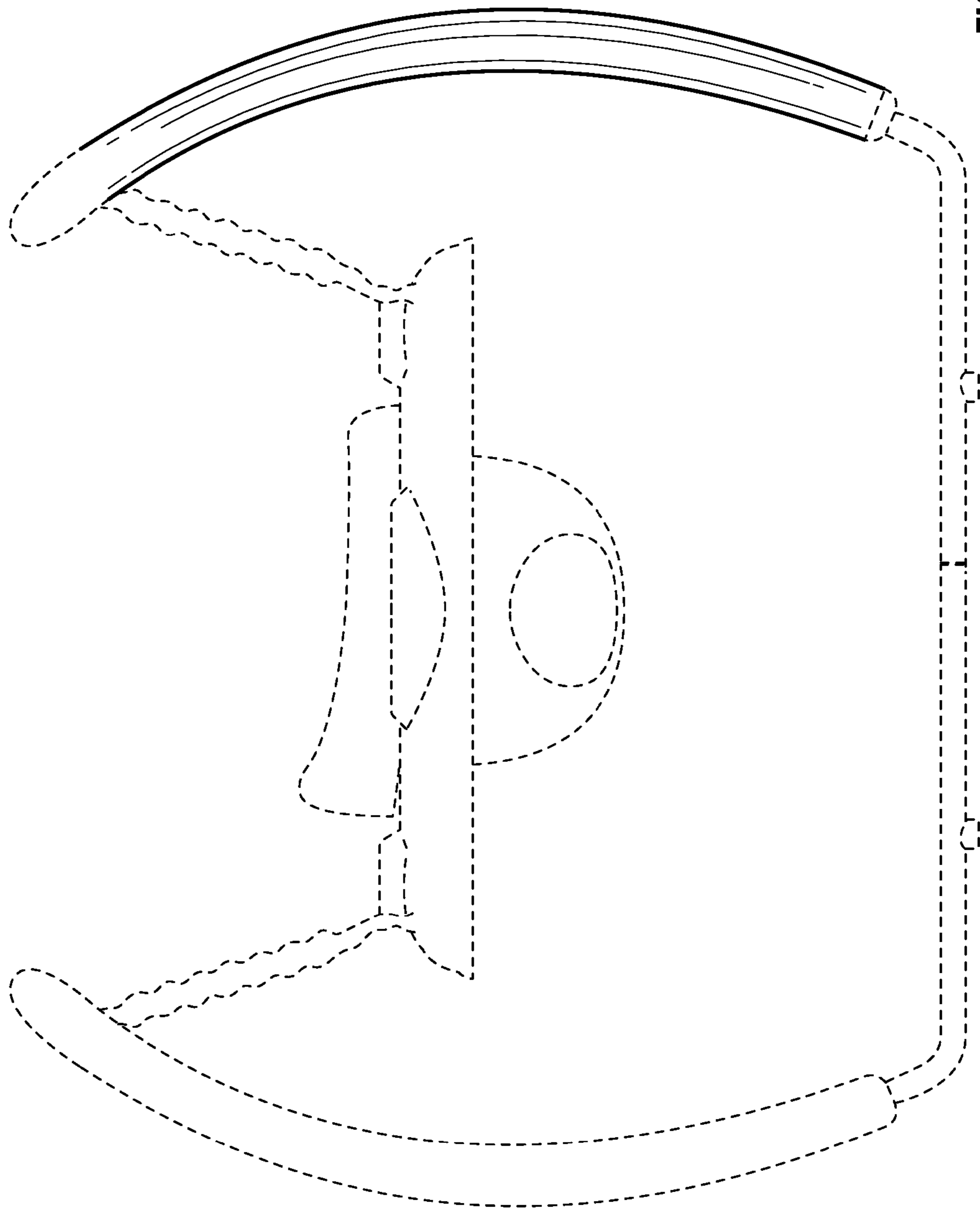


FIG. 11

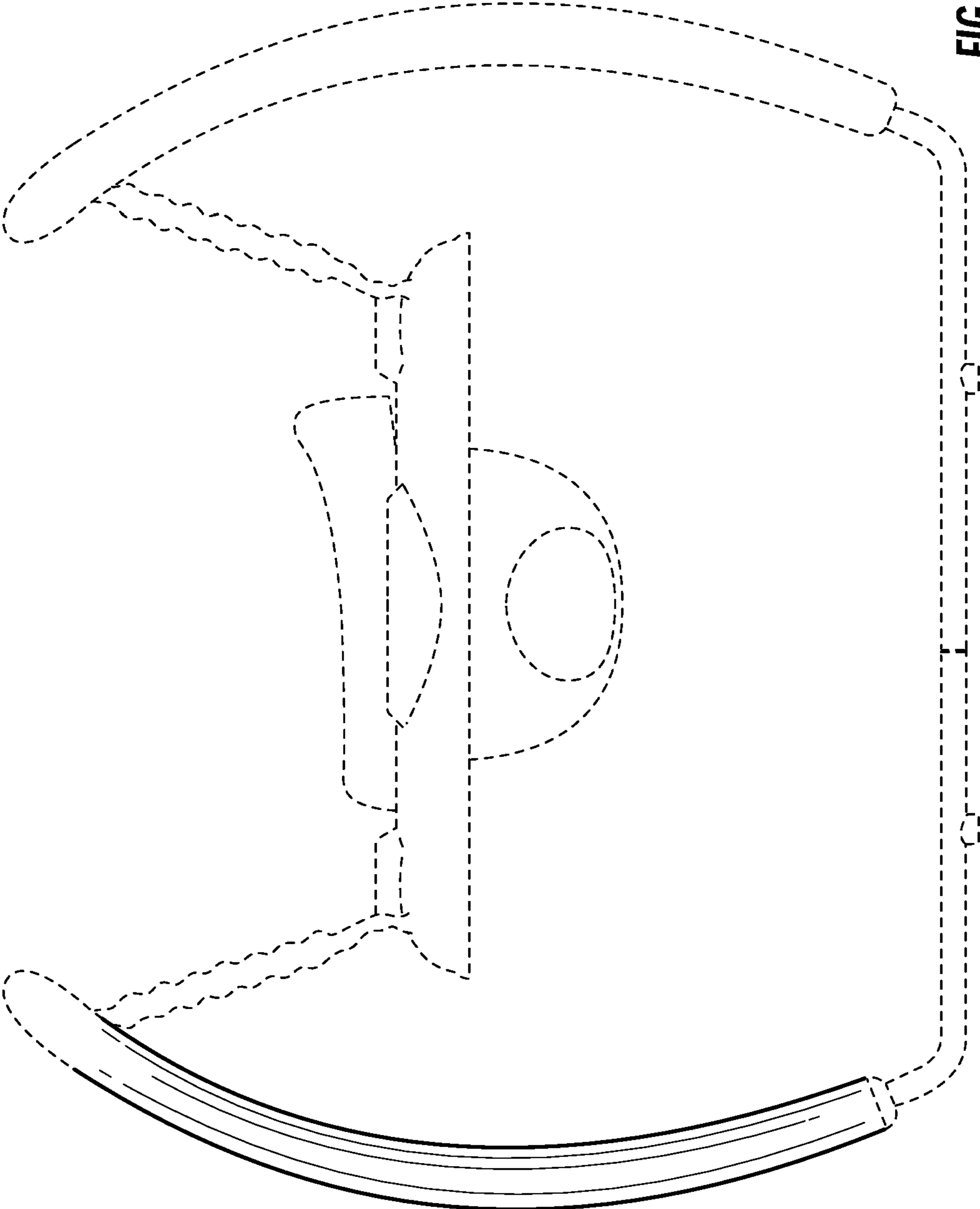


FIG. 12