



US00D650206S

(12) **United States Design Patent**
Behar et al.

(10) **Patent No.:** **US D650,206 S**
(45) **Date of Patent:** **** Dec. 13, 2011**

(54) **CHAIR**

(75) Inventors: **Yves Behar**, San Francisco, CA (US);
Bret Recor, San Francisco, CA (US);
Qin Li, South San Francisco, CA (US);
Naoya Edahiro, San Francisco, CA
(US); **Noah Murphy-Reinhertz**, San
Francisco, CA (US); **Matthew Swinton**,
Brooklyn, NY (US)

3,059,919 A 10/1962 Marchino
3,095,236 A 6/1963 Klassen
3,111,344 A 11/1963 Hoven et al.
3,138,404 A 6/1964 Newton
D201,355 S 6/1965 Cavelli
3,198,578 A 8/1965 Geoffrey et al.

(Continued)

FOREIGN PATENT DOCUMENTS

CA 1315186 3/1993

(Continued)

(73) Assignee: **Herman Miller, Inc.**, Zeeland, MI (US)

(**) Term: **14 Years**

(21) Appl. No.: **29/359,626**

(22) Filed: **Apr. 13, 2010**

(51) **LOC (9) Cl.** **06-01**

(52) **U.S. Cl.** **D6/500**

(58) **Field of Classification Search** D6/334-336,
D6/360-369, 373-374, 379-380, 498, 500-502,
D6/601; 297/284.4-284.5, 291, 297, 411.2,
297/411.27-411.29, 452.13, 452.19, 452.21,
297/452.29, 452.3, 452.56, 452.64

See application file for complete search history.

(56) **References Cited**

U.S. PATENT DOCUMENTS

2,549,902 A 4/1951 Hibbard et al.
2,558,171 A 6/1951 Chesley
2,745,468 A 5/1956 Kramer
2,756,809 A 7/1956 Endresen
2,843,195 A 7/1958 Barvaeus
2,894,565 A 7/1959 Conner
2,931,427 A 4/1960 Goldstein
2,952,300 A 9/1960 Cohen
3,006,688 A 10/1961 Ouellette
3,014,762 A 12/1961 Mauser

OTHER PUBLICATIONS

Search Report from Great Britain Application No. GB 0414694.0,
dated Sep. 1, 2005, 1 page.

(Continued)

Primary Examiner — Ricky Pham

(74) *Attorney, Agent, or Firm* — Brinks Hofer Gilson &
Lione

(57)

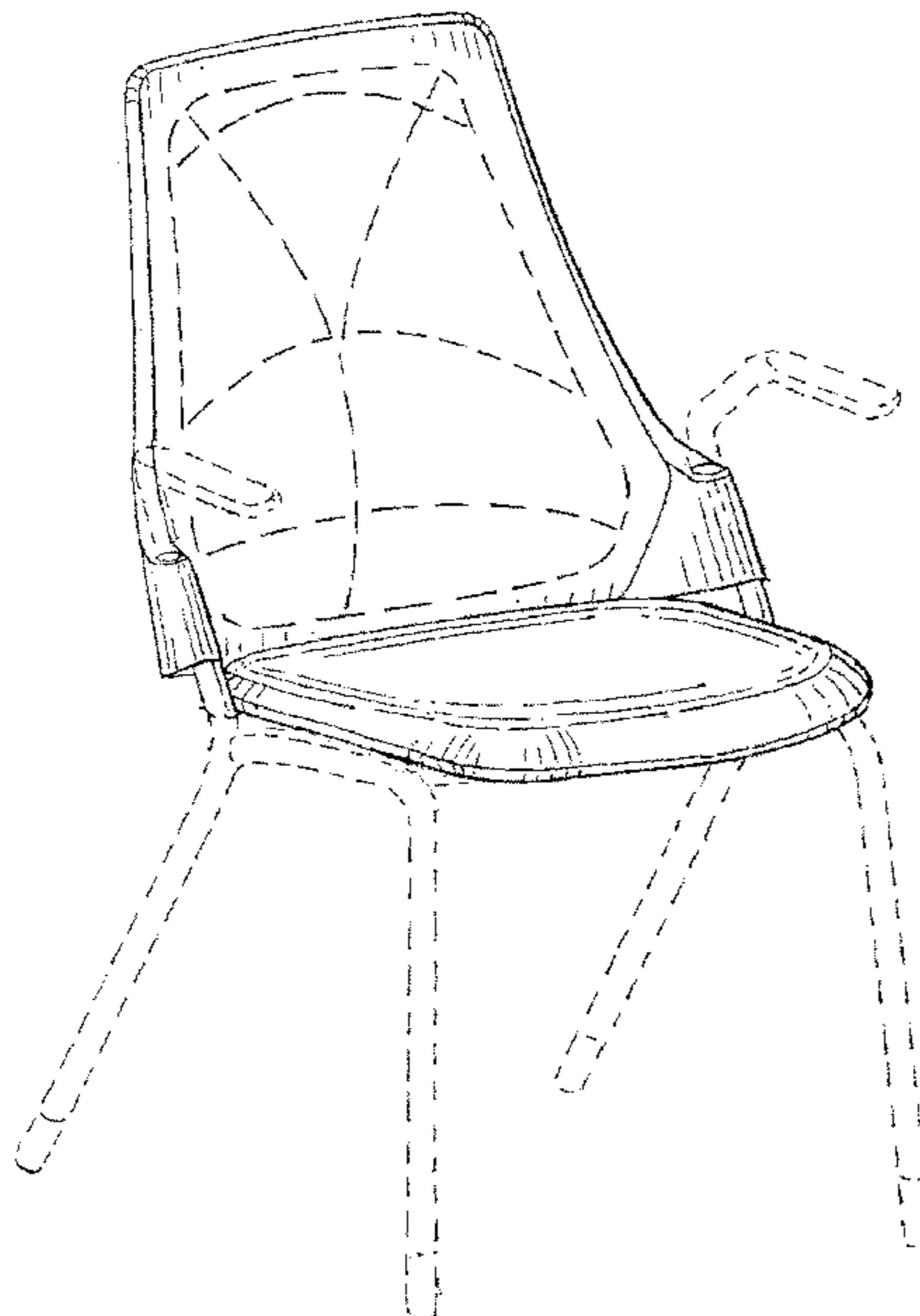
CLAIM

The ornamental design for a chair, as shown and described.

DESCRIPTION

FIG. 1 is a perspective view of a chair;
FIG. 2 is a left side view of the chair shown in FIG. 1;
FIG. 3 is a right side view of the chair shown in FIG. 1;
FIG. 4 is a front view of the chair shown in FIG. 1;
FIG. 5 is a rear view of the chair shown in FIG. 1;
FIG. 6 is a top view of the chair shown in FIG. 1; and,
FIG. 7 is a bottom view of the chair shown in FIG. 1.
The broken lines showing the legs and armrests in FIGS. 1-7
are for environmental purposes only, while the broken lines
across the legs of the chair in FIGS. 1-7 are boundary lines.
The broken lines do not form any part of the claimed design.

1 Claim, 4 Drawing Sheets



US D650,206 S

Page 4

JP 62-055691 A 3/1987
JP 63-187947 A 12/1988
JP 02-050250 U 2/1990
JP 02-095305 A 4/1990
JP 02-159215 A 6/1990
JP 08-004544 A 1/1996
JP 10-179314 A 7/1998
WO WO 89/09557 A1 10/1989
WO WO 92/20262 A1 11/1992
WO WO 93/25121 A1 12/1993
WO WO 95/34233 A1 12/1995
WO WO 98/48668 A1 11/1998
WO WO 00/22961 A1 4/2000
WO WO 00/74531 A2 12/2000

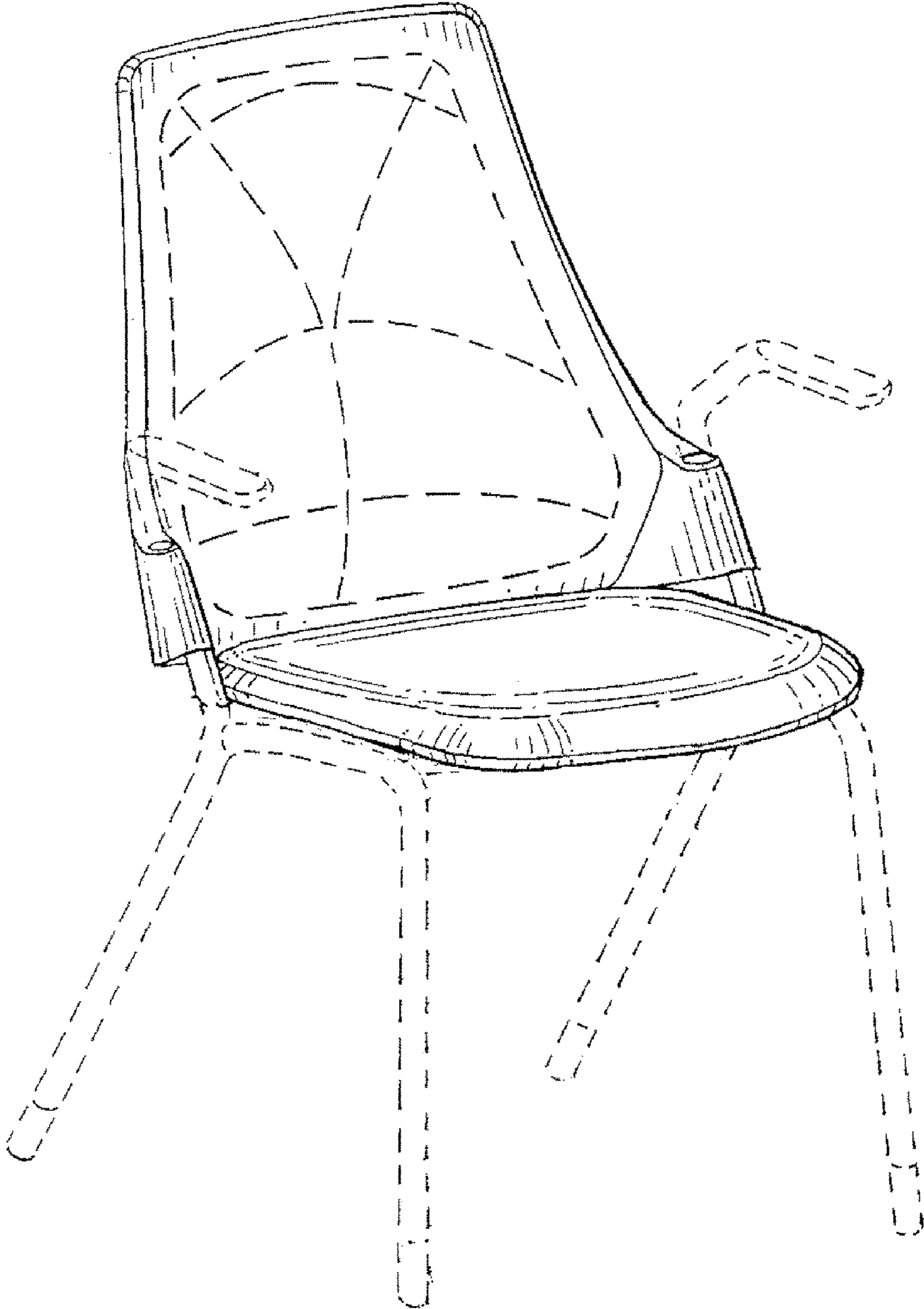
WO WO 01/43685 A1 6/2001
WO WO 2007/099376 A2 9/2007
WO WO 2008/103674 A1 8/2008

OTHER PUBLICATIONS

Resultat(s) brochure, "Notice complete," INPI, dated 2009, 22 pages.
Resultat(s) brochure, "Notice com~lete." INPI, dated 2009, 4 pages.
Arbitare brochure, dated Apr. 1997, 4 pages.
Arbitare brochure, "Mobile & Misure 88." dated Sep. 1988, 3 pages.
Arbitare brochure, "Mini Spazi," dated Oct. 1988, 3 pages.
md brochure, "moebel interior design," dated Jan. 1, 1996, 3 pages.
md brochure, dated May 5, 1998, 3 pages.
Shitsunai brochure, "No. 500," dated 1996, 2 pages.

* cited by examiner

FIG. 1



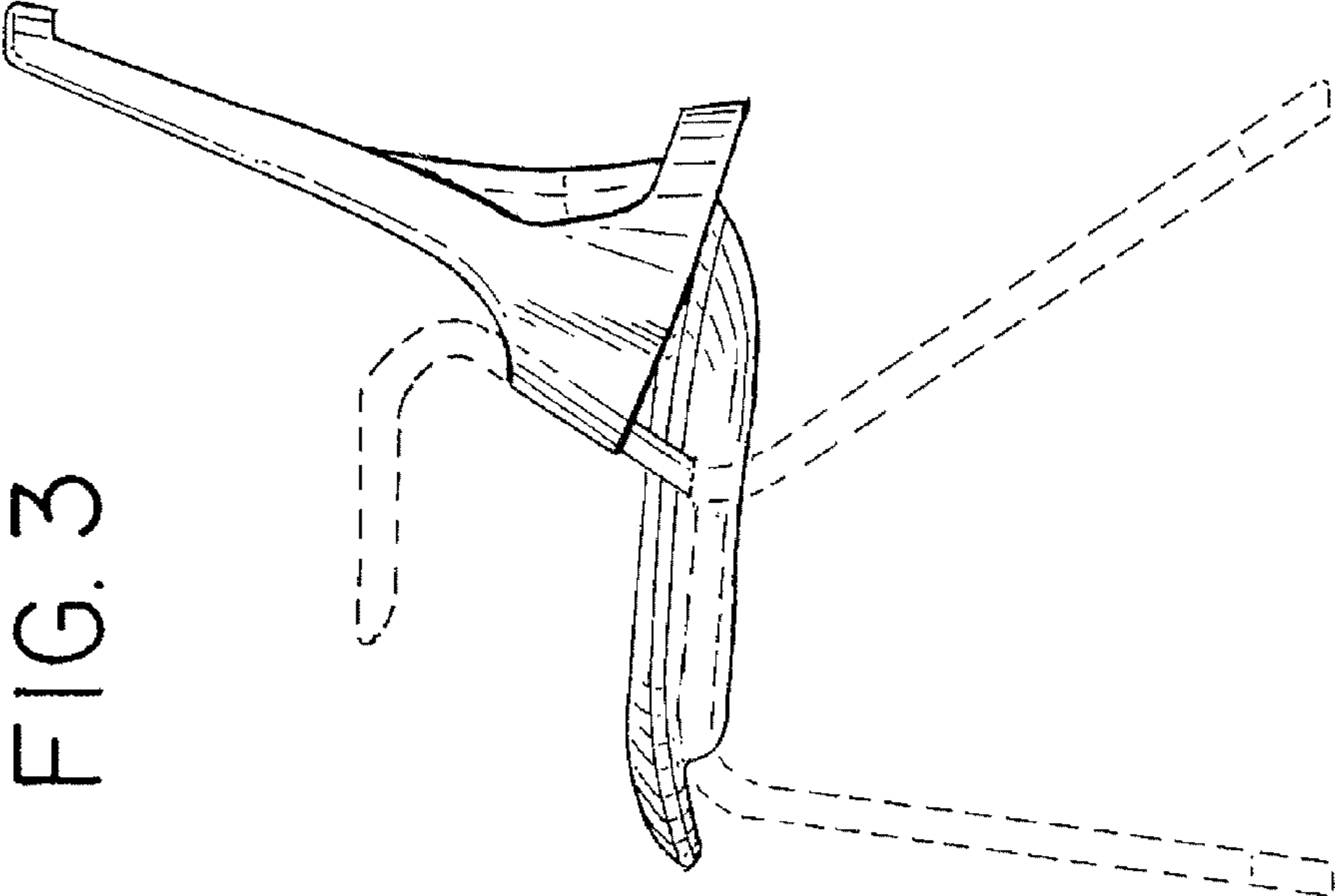


FIG. 3

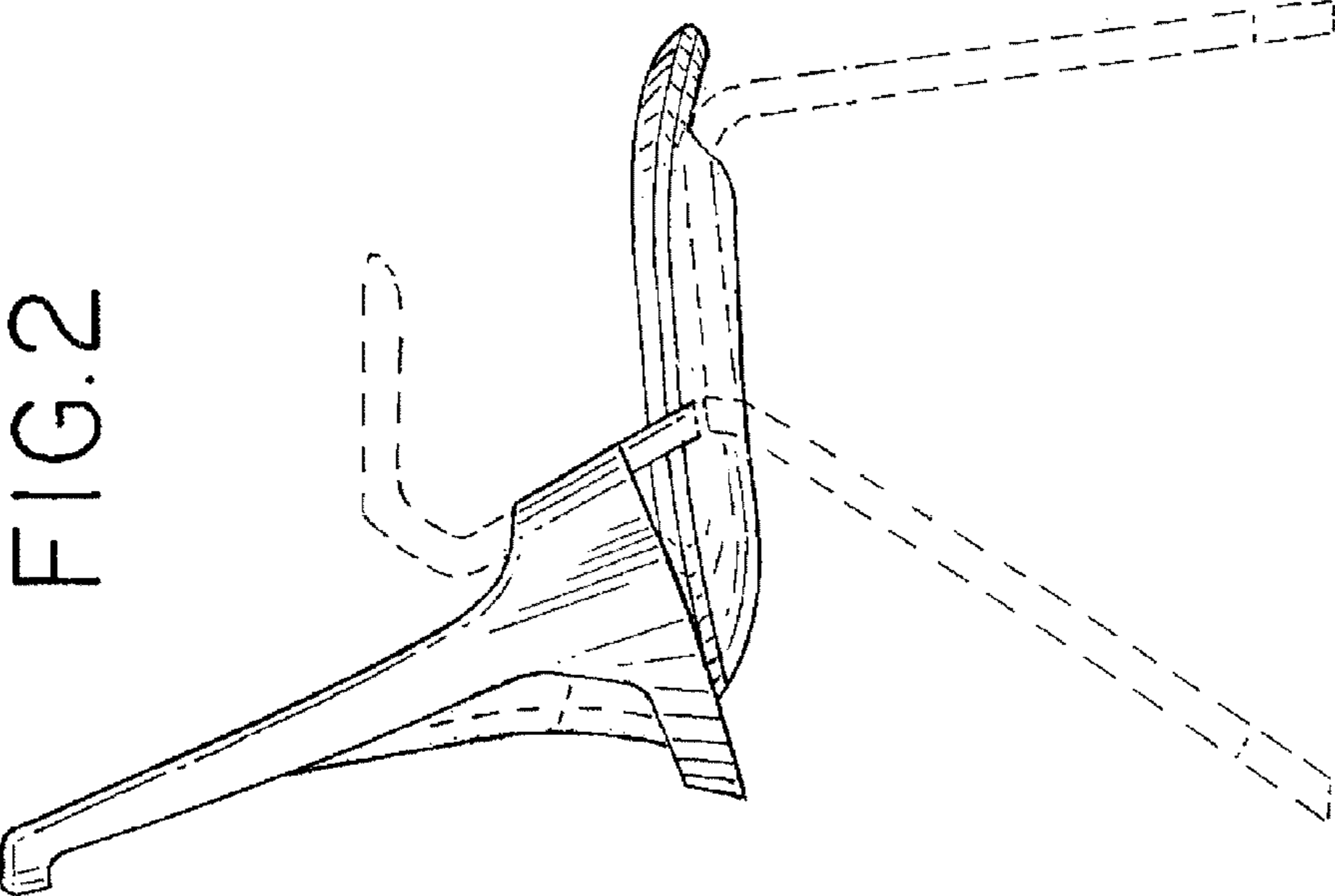


FIG. 2

FIG. 5

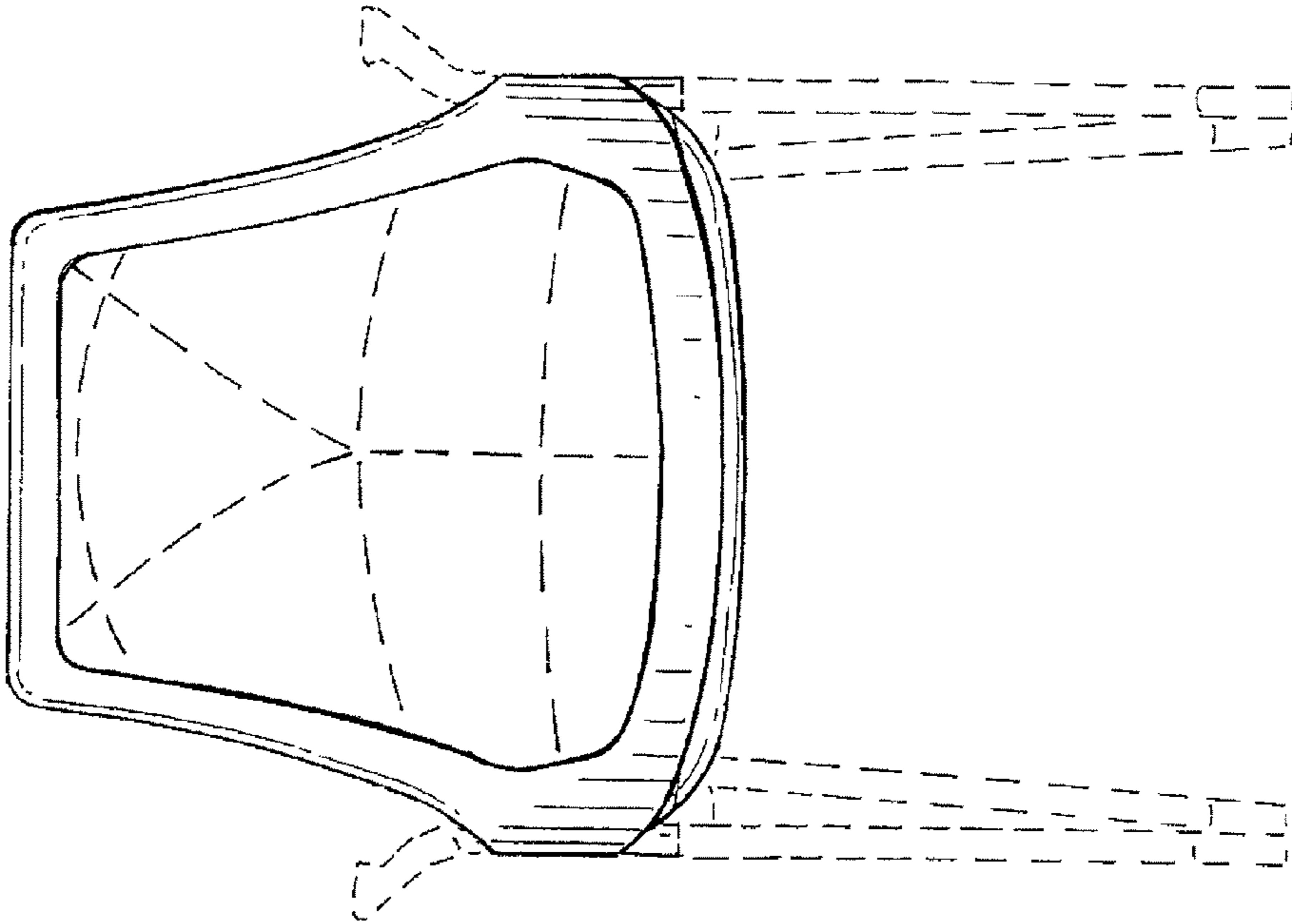


FIG. 4

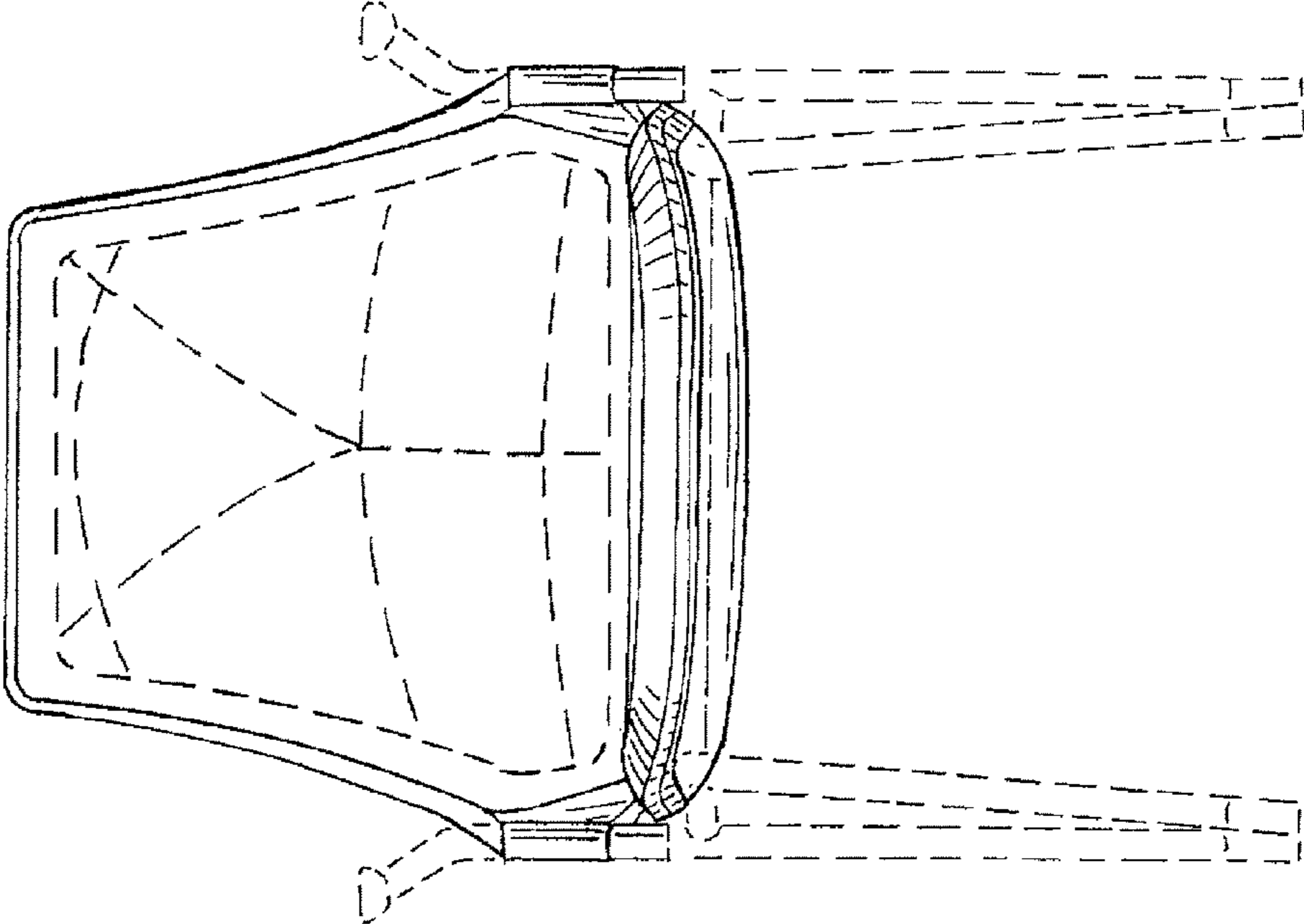


FIG. 6

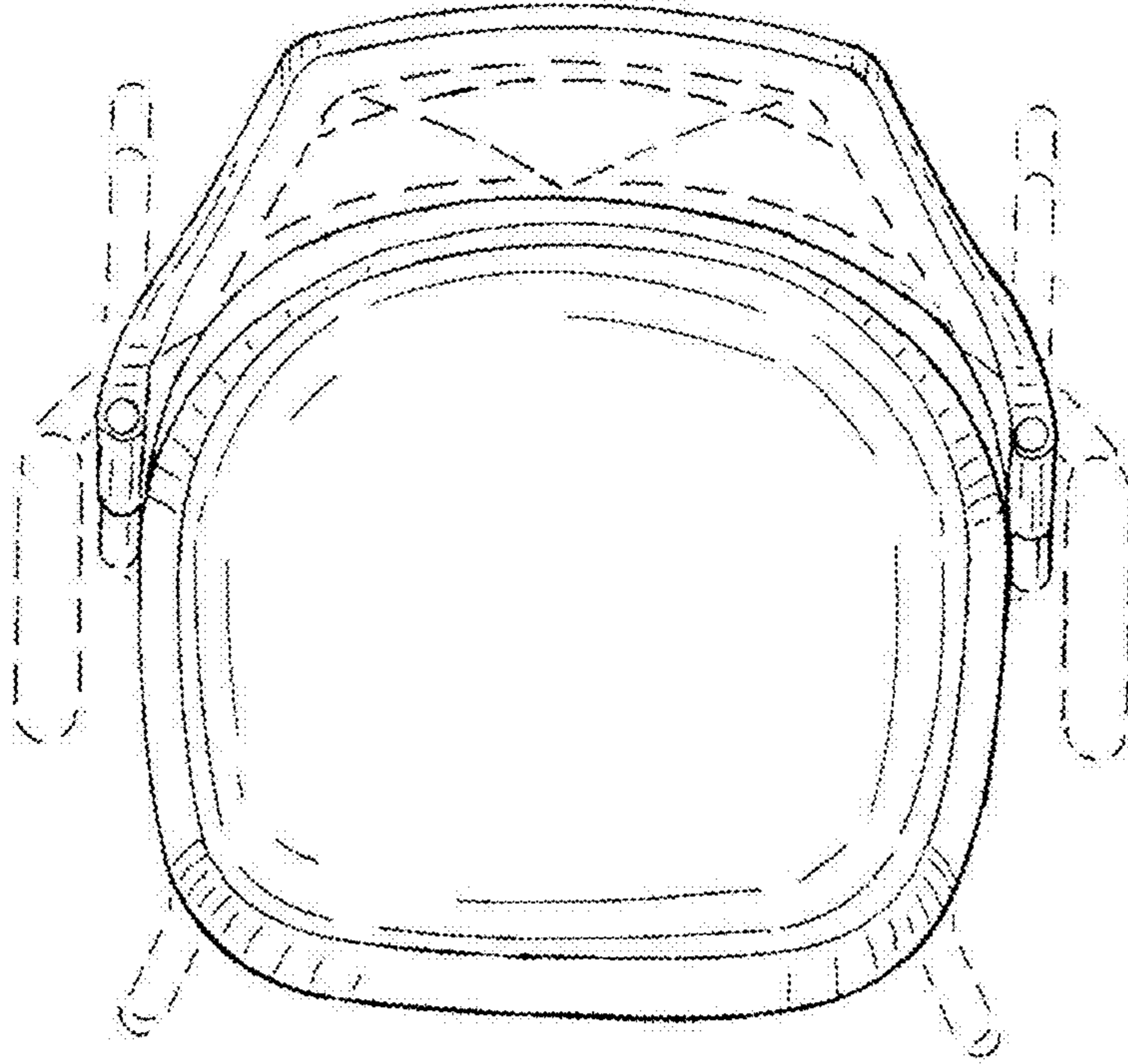


FIG. 7

