



US00D650205S

(12) **United States Design Patent**
Sakakibara et al.

(10) **Patent No.:** **US D650,205 S**

(45) **Date of Patent:** **** Dec. 13, 2011**

(54) **CHAIR BED**

(75) Inventors: **Mizuho Sakakibara**, Osaka (JP); **Hideo Kawakami**, Osaka (JP); **Yohei Kume**, Osaka (JP); **Tohru Nakamura**, Osaka (JP)

(73) Assignee: **Panasonic Corporation**, Osaka (JP)

(**) Term: **14 Years**

(21) Appl. No.: **29/346,930**

(22) Filed: **Nov. 9, 2009**

(30) **Foreign Application Priority Data**

May 15, 2009 (JP) 2009-10825

(51) **LOC (9) Cl.** **06-01**

(52) **U.S. Cl.** **D6/500**

(58) **Field of Classification Search** D6/334,
D6/335, 337, 349, 353, 380, 381, 500-502,
D6/374; 297/14, 43, 44, 118, 140, 245, 300.1,
297/311, 353, 354.1, 445.1, 446.1, 446.2,
297/447.4, 465, 900, DIG. 2, DIG. 7; 5/12.1,
5/12.2

See application file for complete search history.

(56) **References Cited**

U.S. PATENT DOCUMENTS

D98,545 S * 2/1936 Pumphrey D6/364
2,217,426 A * 10/1940 Zareko 297/117
D250,977 S 2/1979 Powers
4,628,551 A * 12/1986 Atimichuk 5/12.1
D451,849 S 12/2001 Noshi
6,739,651 B1 * 5/2004 Barefoot 297/118
D501,331 S * 2/2005 Chen D6/336
D505,276 S * 5/2005 Cronk et al. D6/334
D546,570 S * 7/2007 Kreiss D6/334
D549,972 S * 9/2007 Garcia D6/348
D553,369 S * 10/2007 Ko D6/334

D572,915 S * 7/2008 Doughty D6/334
D578,782 S * 10/2008 Cramer et al. D6/334
D580,664 S * 11/2008 Cramer et al. D6/334
D586,131 S * 2/2009 Cramer et al. D6/334
D639,571 S * 6/2011 Drilling D6/334
D641,178 S * 7/2011 Drilling D6/334
D641,179 S * 7/2011 Drilling D6/334

FOREIGN PATENT DOCUMENTS

JP D1105781 4/2001
JP D1111592 6/2001
JP D1145142 7/2002

* cited by examiner

Primary Examiner — Sandra Snapp

(74) *Attorney, Agent, or Firm* — Brinks Hofer Gilson & Lione

(57) **CLAIM**

We claim the ornamental design for a chair bed, as shown and described.

DESCRIPTION

FIG. 1 is a top perspective view of a chair bed of the present invention;

FIG. 2 is a front view thereof;

FIG. 3 is a rear view thereof;

FIG. 4 is a first side view thereof;

FIG. 5 is a second side view thereof;

FIG. 6 is a top view thereof;

FIG. 7 is a bottom view thereof; and,

FIG. 8 is a top perspective view thereof shown in an alternate position.

The broken line showing of chair bed is included for the purpose of illustrating environment and forms no part of the claimed design.

The dot dashed lines shown in FIGS. 1, 2, 3, 7 and 8 represent boundaries of the claimed design, and form no part of the claimed design.

1 Claim, 8 Drawing Sheets

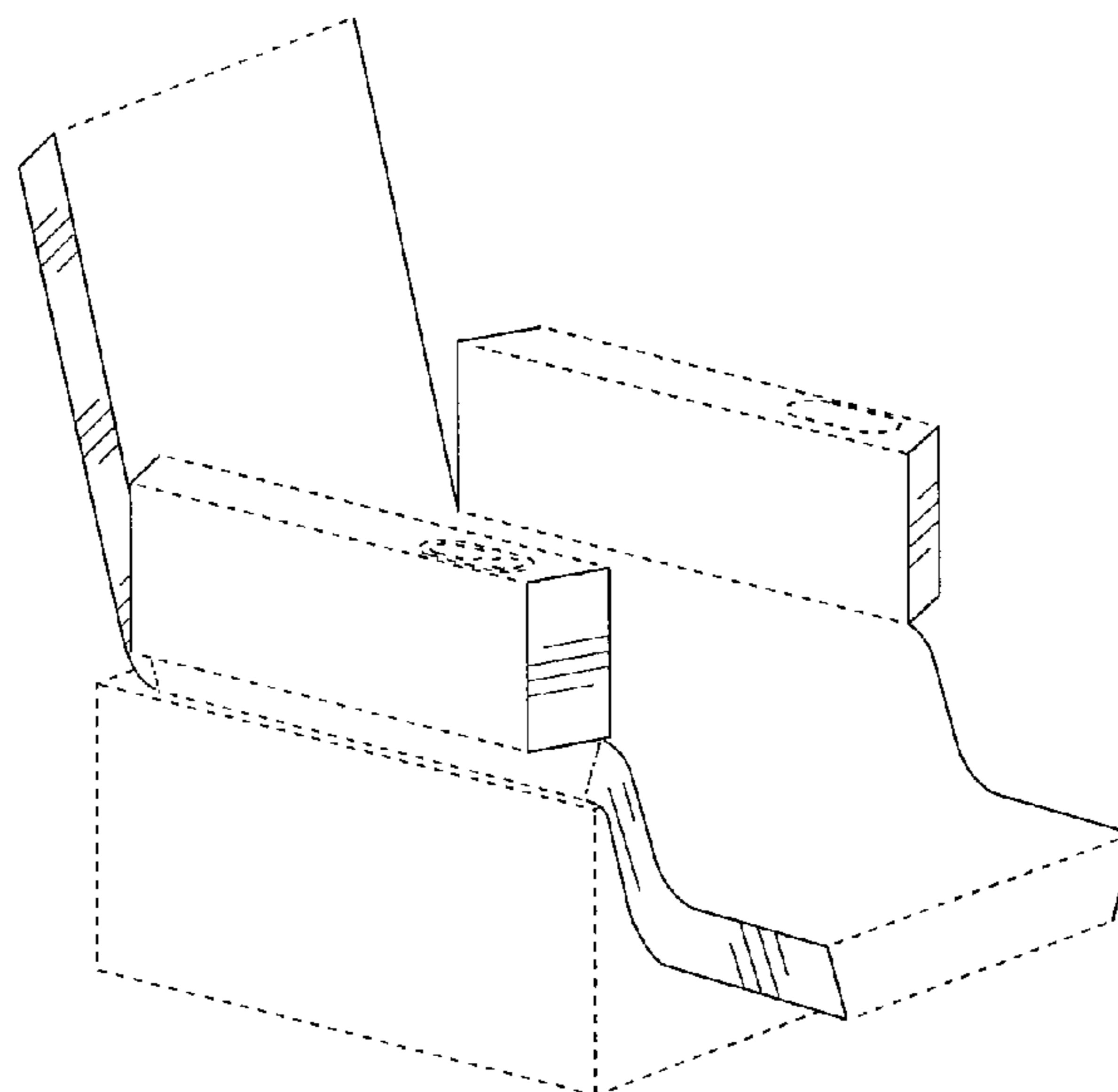


FIG.1

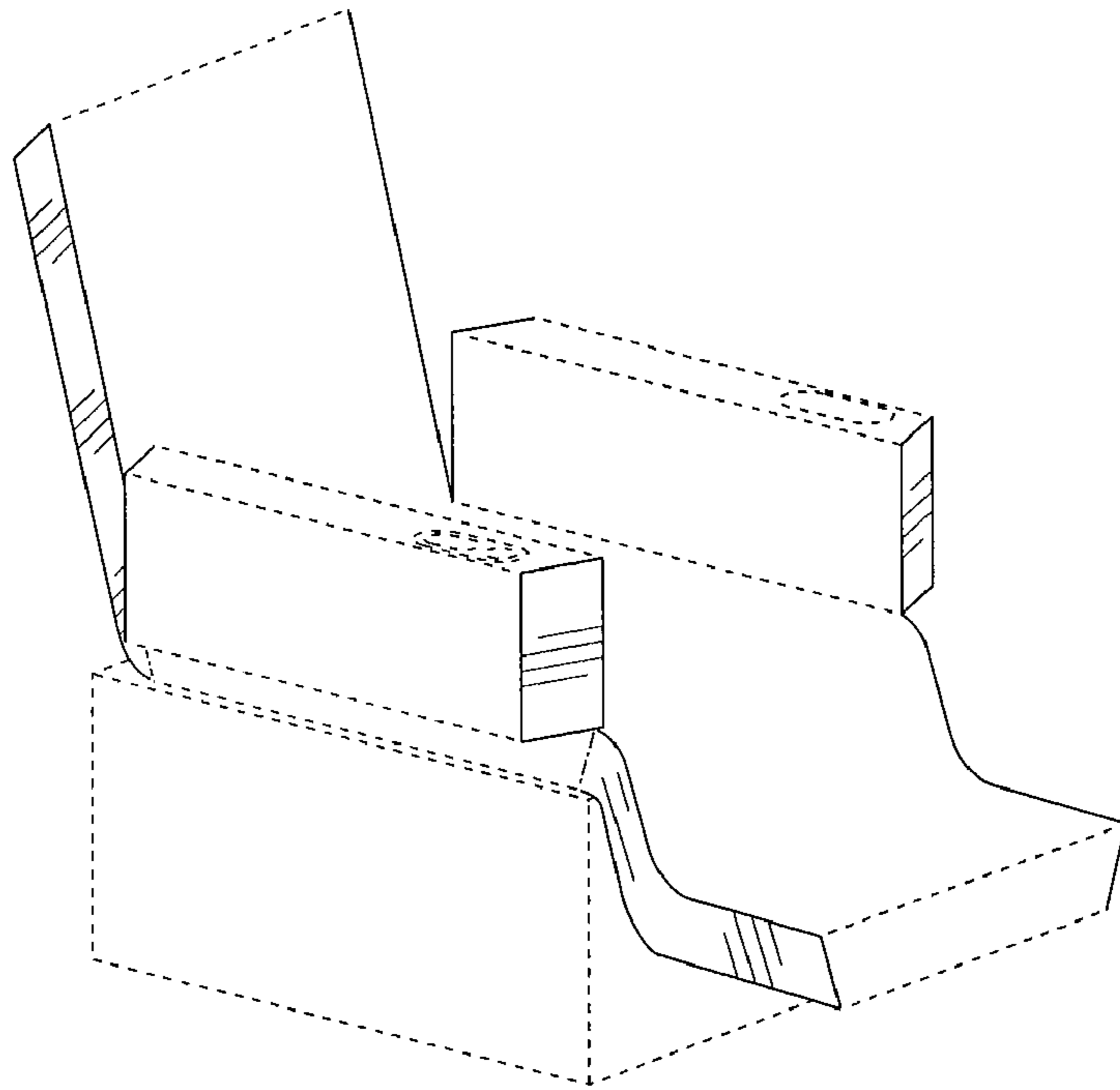


FIG.2

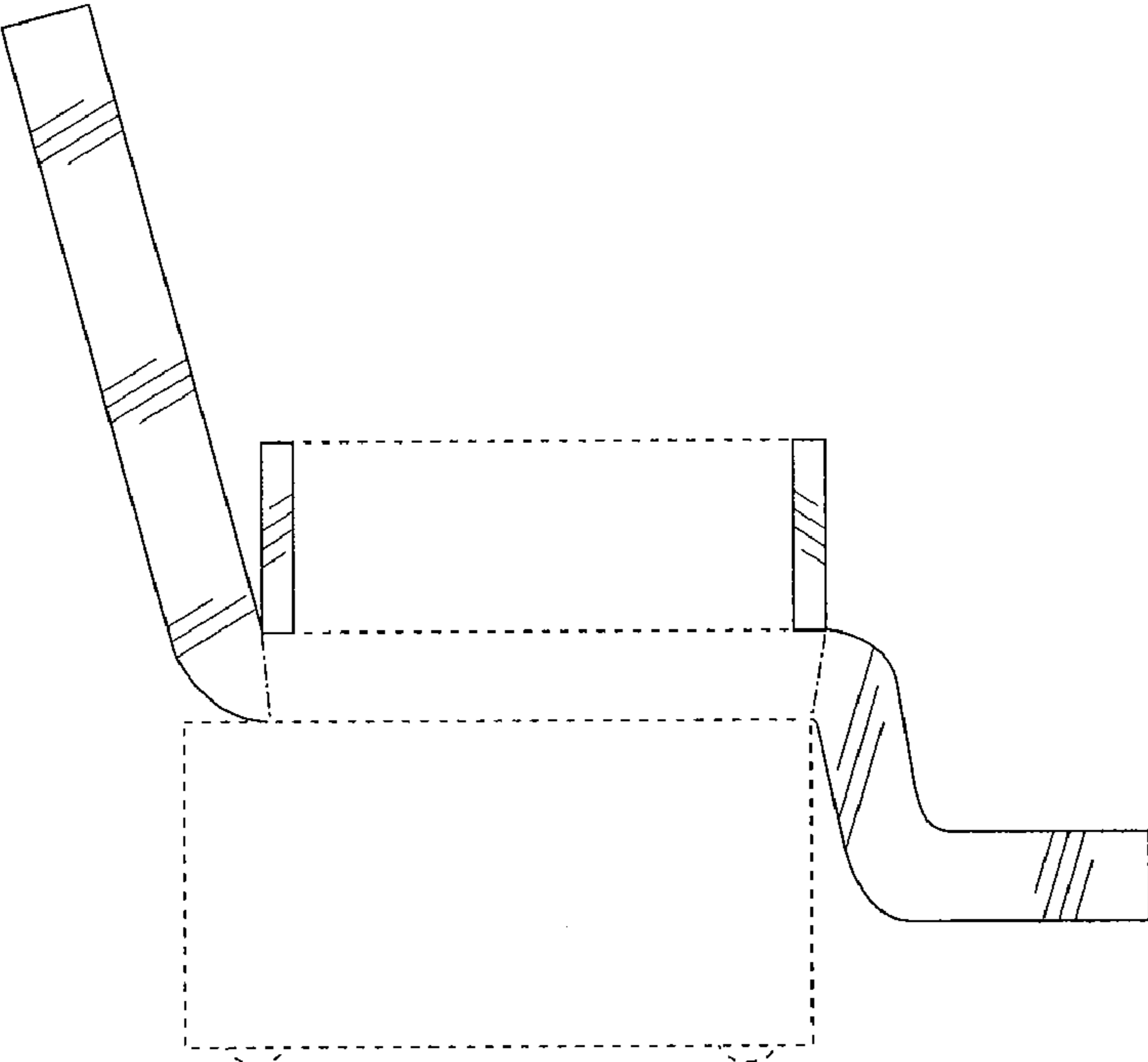


FIG.3

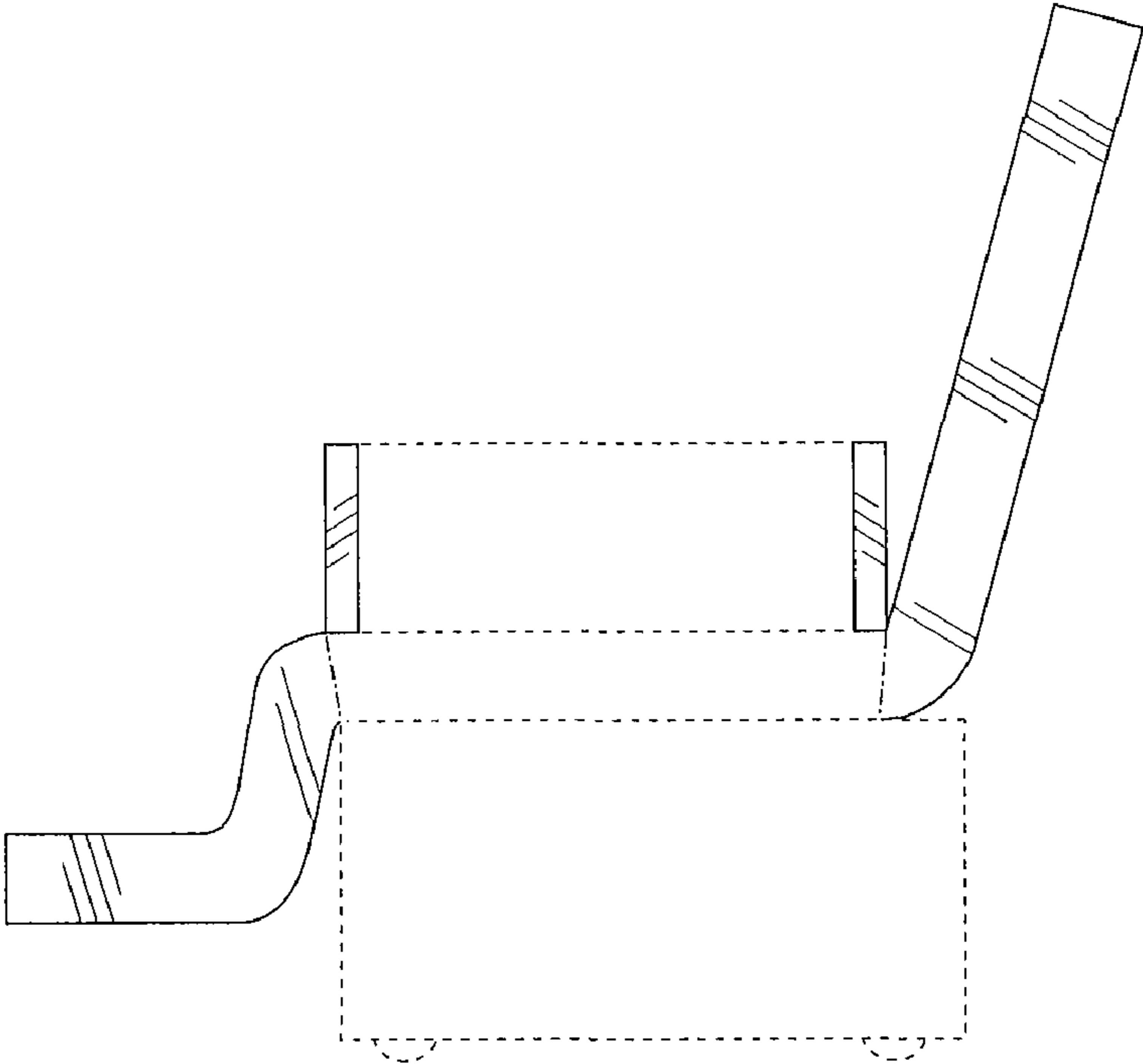


FIG.4

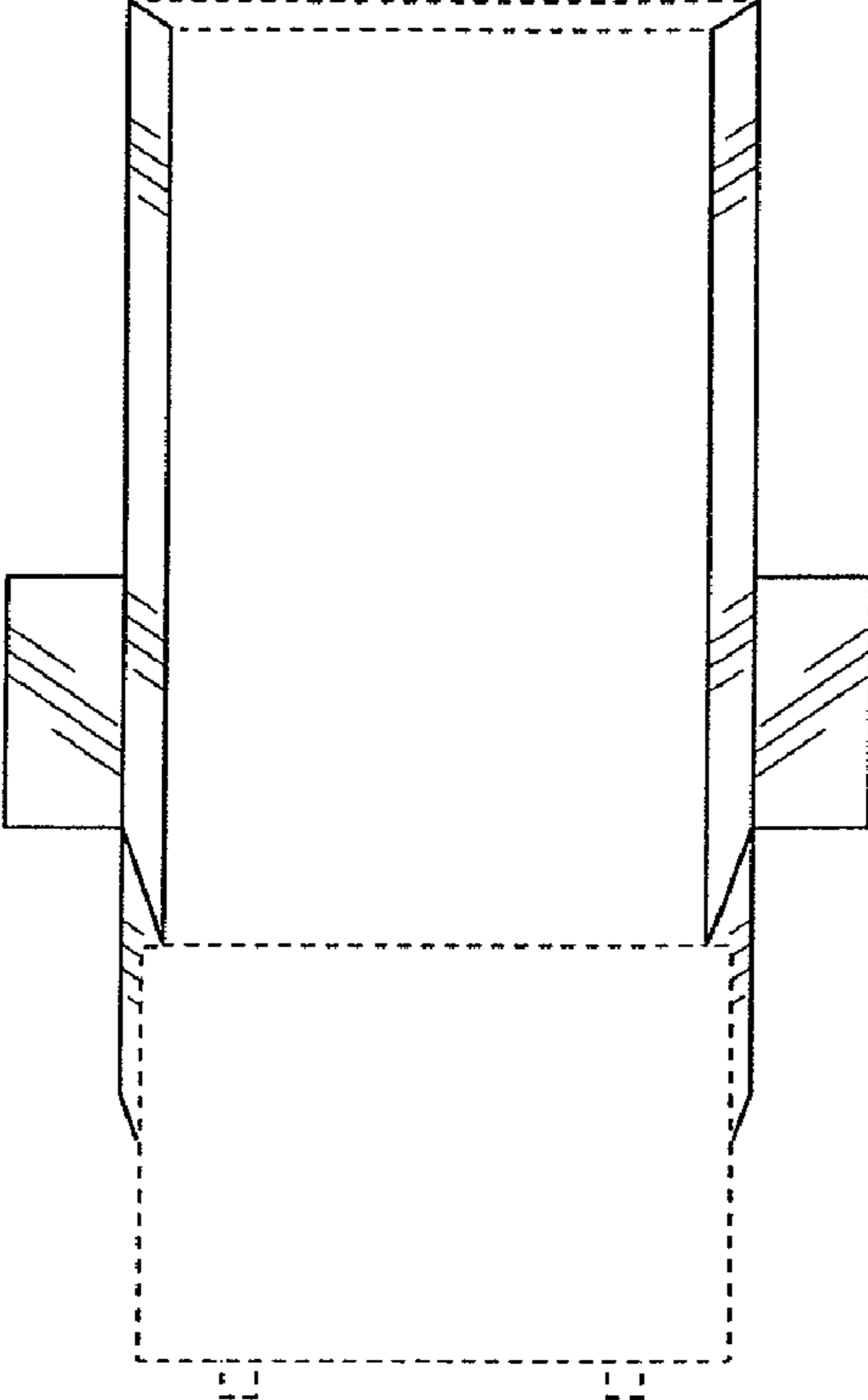


FIG.5

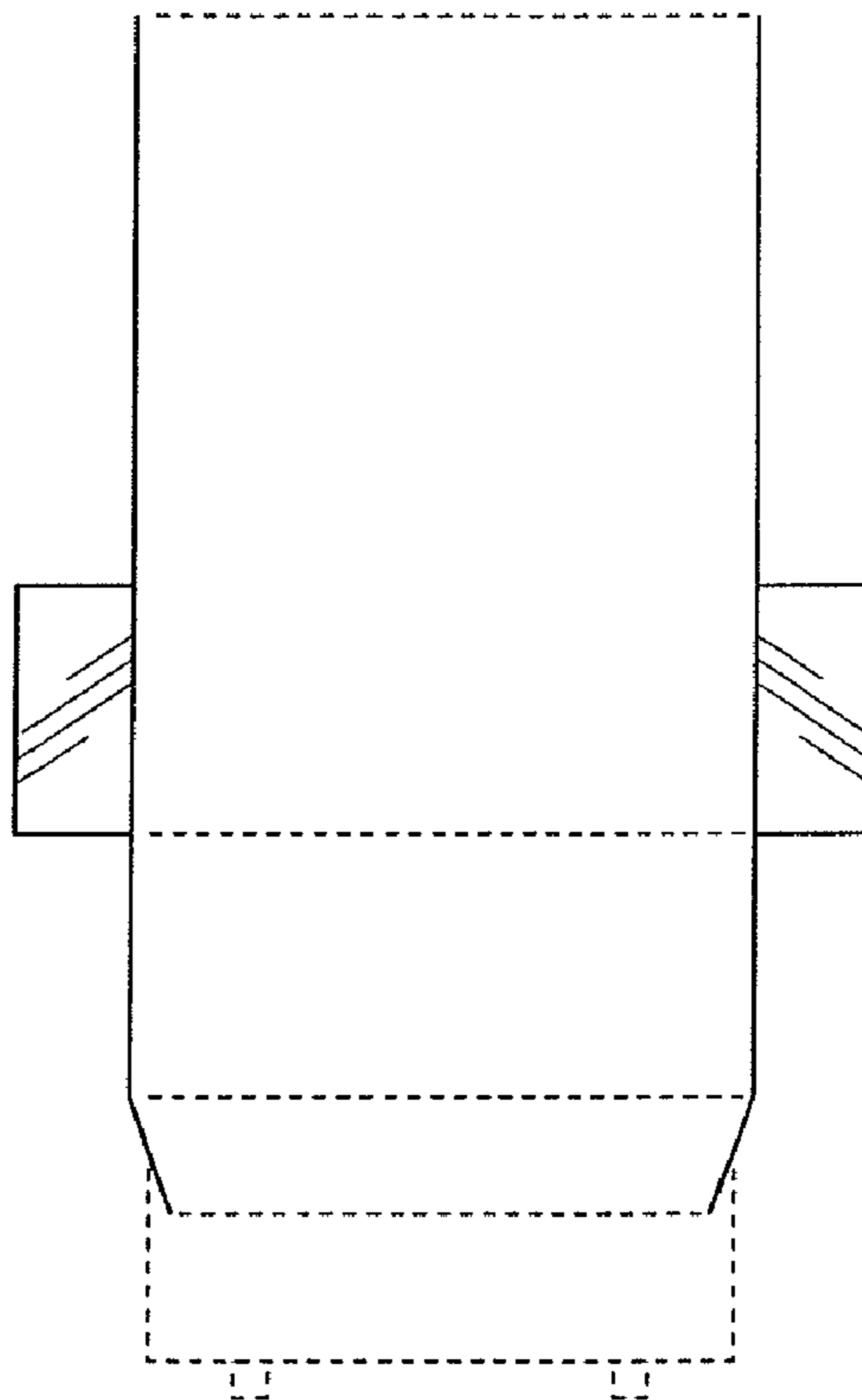


FIG.6

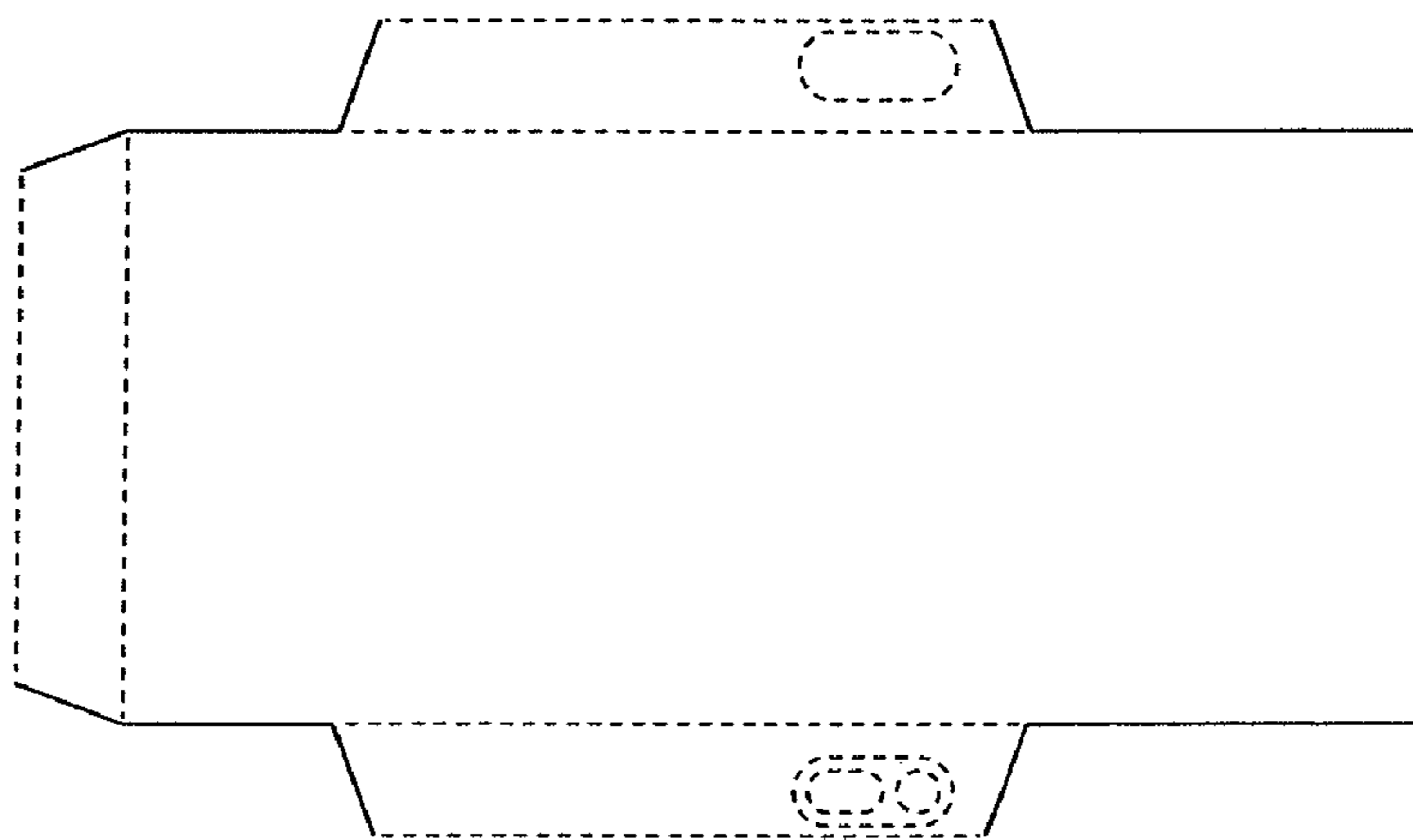


FIG. 7

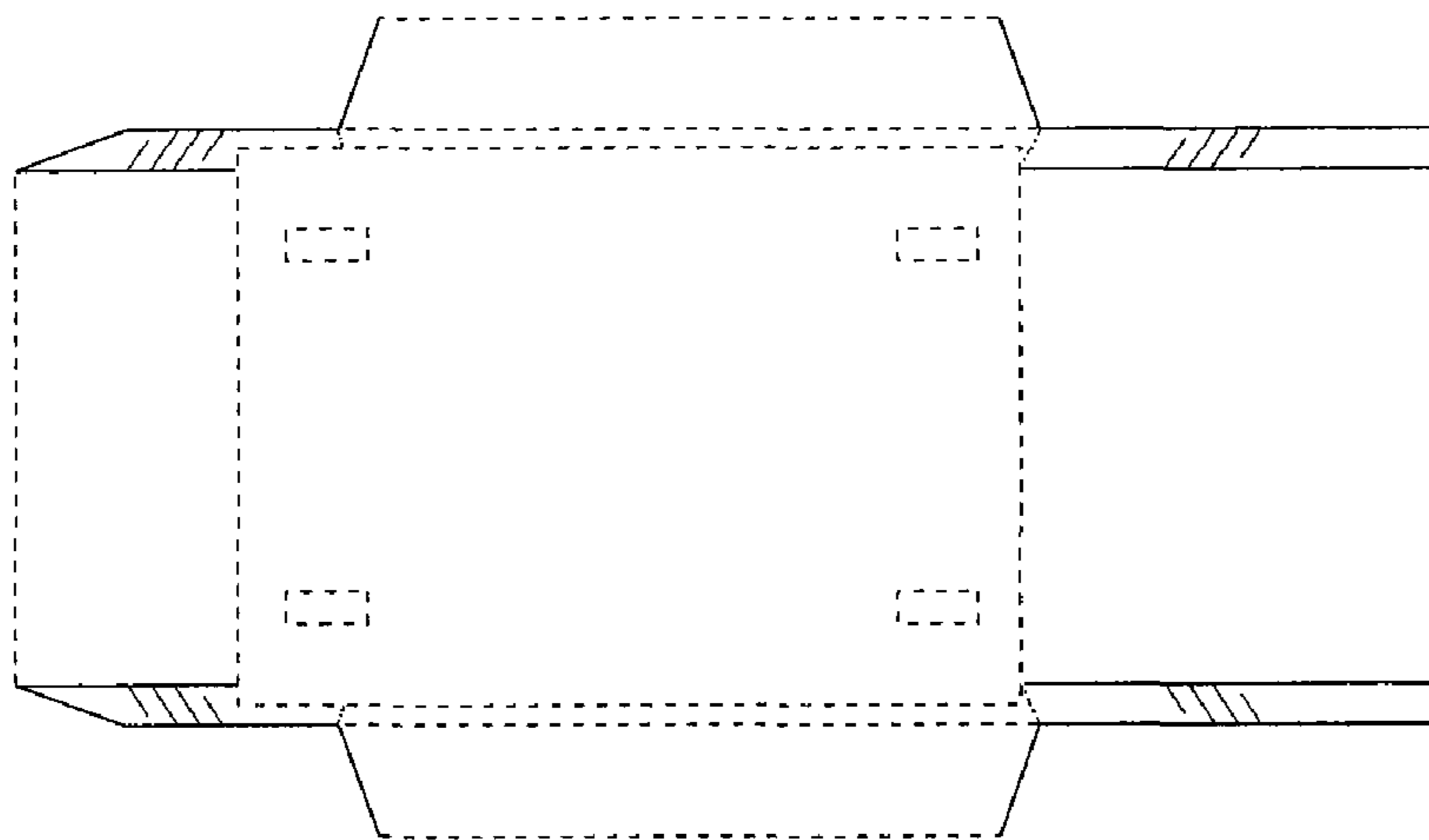


FIG.8

