



US00D650204S

(12) **United States Design Patent**  
**Muller**

(10) **Patent No.:** **US D650,204 S**

(45) **Date of Patent:** **\*\* Dec. 13, 2011**

(54) **TABLE BASE**

(75) **Inventor:** **Carl A. Muller**, Huntington Beach, CA (US)

(73) **Assignee:** **Elite Manufacturing Corporation**, Santa Fe Springs, CA (US)

(\*\*) **Term:** **14 Years**

(21) **Appl. No.:** **29/378,748**

(22) **Filed:** **Nov. 9, 2010**

(51) **LOC (9) Cl.** ..... **06-06**

(52) **U.S. Cl.** ..... **D6/495; D6/482**

(58) **Field of Classification Search** ..... D6/480–489, D6/495, 511, 429–431; 108/150, 153.1, 108/155, 156, 161; 248/188, 188.1, 188.8  
See application file for complete search history.

(56) **References Cited**

**U.S. PATENT DOCUMENTS**

609,592 A *	8/1898	Shultz	.....	108/41
D487,983 S	4/2004	Muller		
D487,986 S	4/2004	Muller		
D488,632 S	4/2004	Muller		
D489,193 S	5/2004	Muller		
D502,825 S	3/2005	Muller		
D508,174 S *	8/2005	Miyakawa	.....	D6/482
D509,385 S	9/2005	Muller		
D511,257 S *	11/2005	Chabot	.....	D6/486
D519,761 S	5/2006	Muller		
D526,821 S	8/2006	Muller		
D540,562 S	4/2007	Muller		
D541,560 S	5/2007	Muller		
D543,733 S	6/2007	Muller		
D545,087 S	6/2007	Muller		
D547,957 S	8/2007	Muller		
D566,996 S	4/2008	Muller		
D566,997 S	4/2008	Muller		
D573,377 S	7/2008	Muller		
D573,379 S	7/2008	Muller		
D573,816 S	7/2008	Muller		
D574,640 S	8/2008	Muller		

D605,880 S	12/2009	Muller
D606,343 S	12/2009	Muller
D606,779 S	12/2009	Muller
D609,035 S	2/2010	Muller
D613,097 S	4/2010	Muller
D613,974 S	4/2010	Muller

**OTHER PUBLICATIONS**

Conference Group—Davis Furniture Industries, 1985, metal base.\*  
Carl A. Muller, Elite Scoop Accent Table #250, 1-page, Apr. 2003.  
Carl A. Muller, U.S. Appl. No. 29/378,749, filed Nov. 9, 2010, entitled “Seat Frame.”  
Carl A. Muller, U.S. Appl. No. 29/375,326, filed Sep. 21, 2010, entitled “Table Base.”

(Continued)

*Primary Examiner* — Janice Seeger

(74) *Attorney, Agent, or Firm* — Heslin Rothenberg Farley & Mesiti P.C.

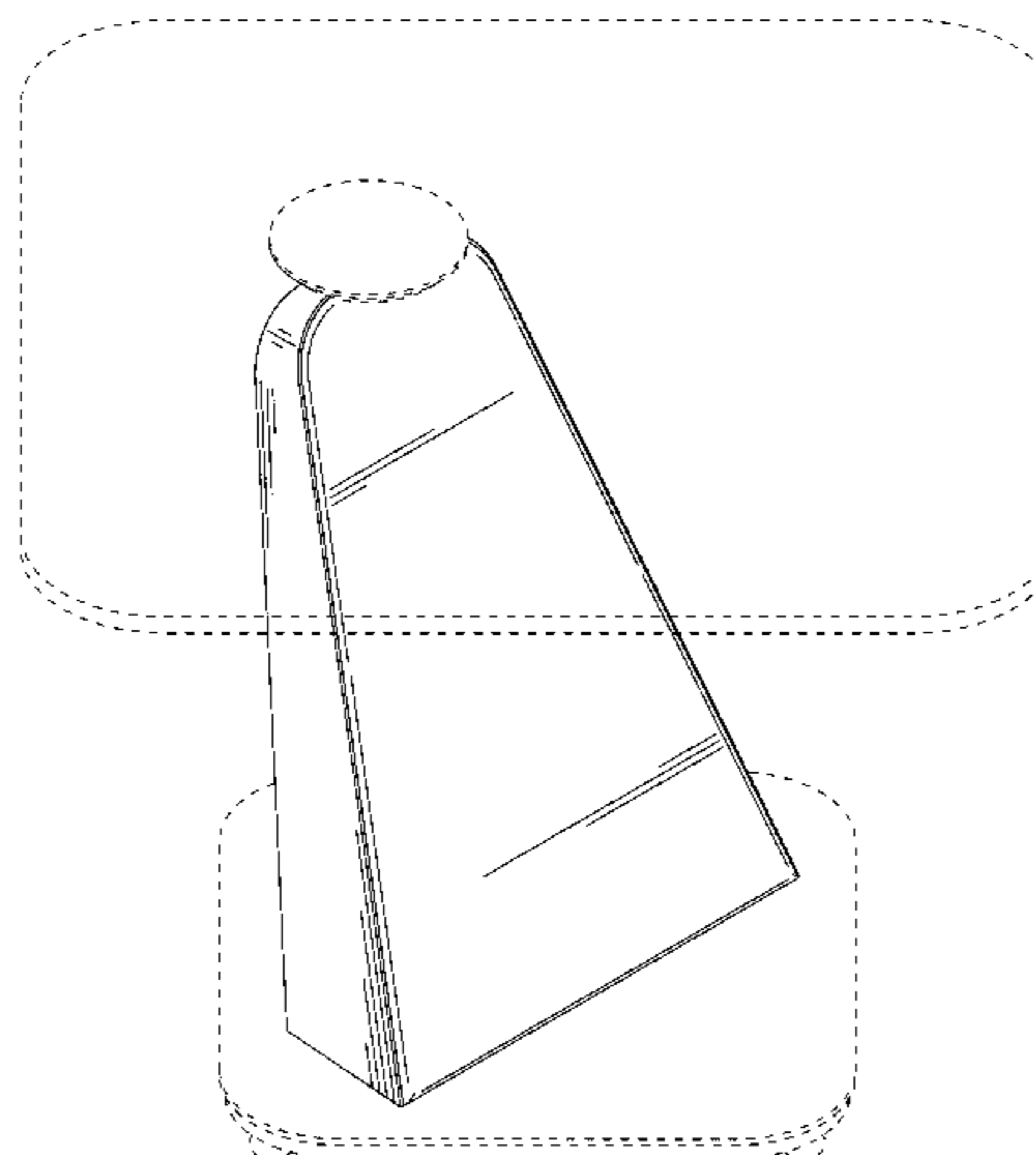
(57) **CLAIM**

The ornamental design for a table base, as shown and described.

**DESCRIPTION**

FIG. 1 is an isometric view of a table base in accordance with the new design;  
FIG. 2 is a front elevational view thereof;  
FIG. 3 is a right side elevational view thereof;  
FIG. 4 is a left side elevational view thereof;  
FIG. 5 is a rear elevational view thereof;  
FIG. 6 is a top view thereof;  
FIG. 7 is an isometric view of an alternative embodiment of the table base configured as a cocktail table;  
FIG. 8 is an isometric view of an alternative embodiment of the table base configured as a dining table; and,  
FIG. 9 is an isometric view of an alternative embodiment of the table base configured as a console table.  
The broken lines in the figures are for illustrative purposes only and form no part of the claimed design.

**1 Claim, 9 Drawing Sheets**



OTHER PUBLICATIONS

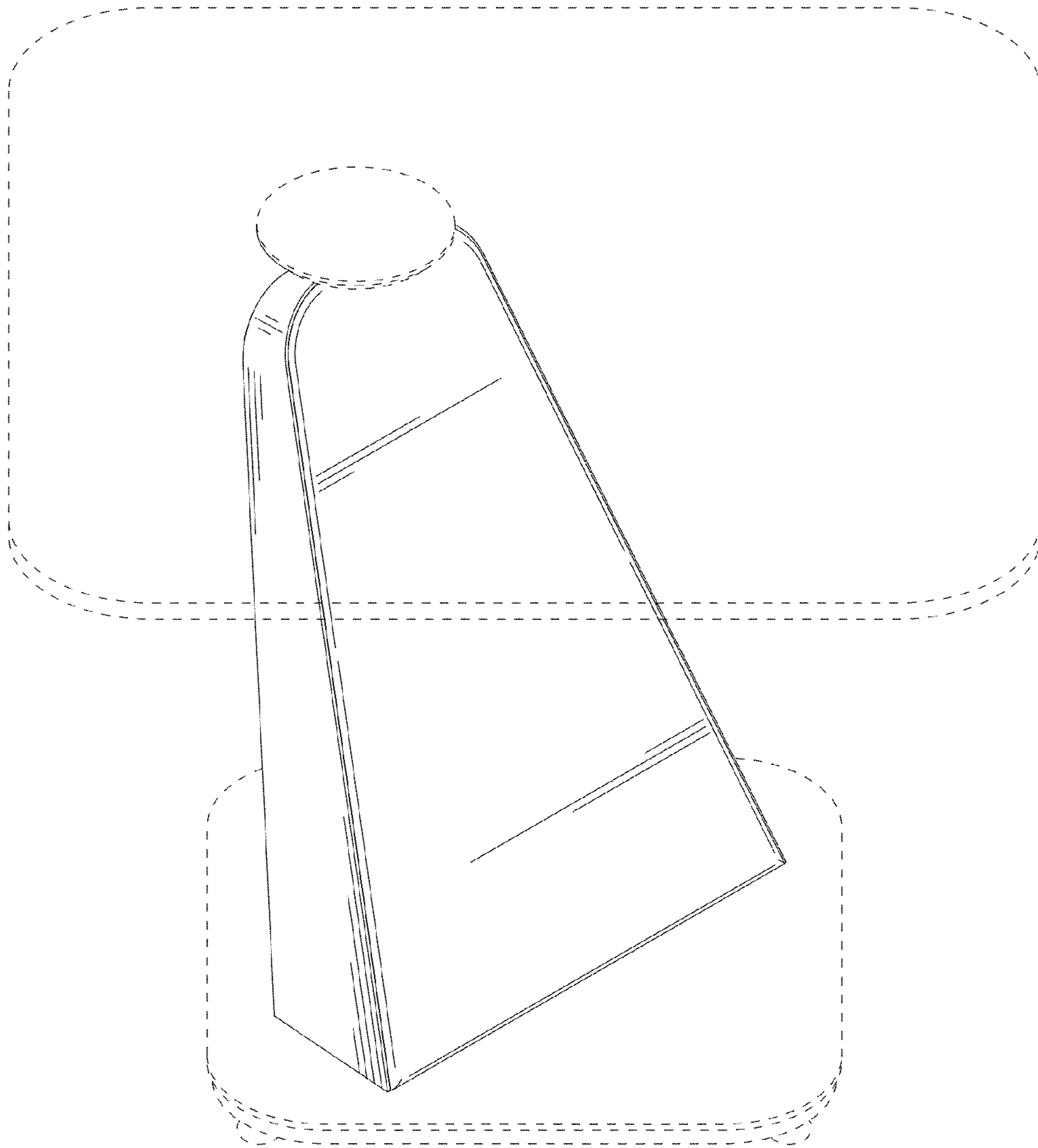
Carl A. Muller, U.S. Appl. No. 29/378,746, filed Nov. 9, 2010, entitled "Chair Backrest."

Encore Table, designed by Carl Muller, available from Elite Manufacturing Corporation, 1-page, Oct. 17, 2009.

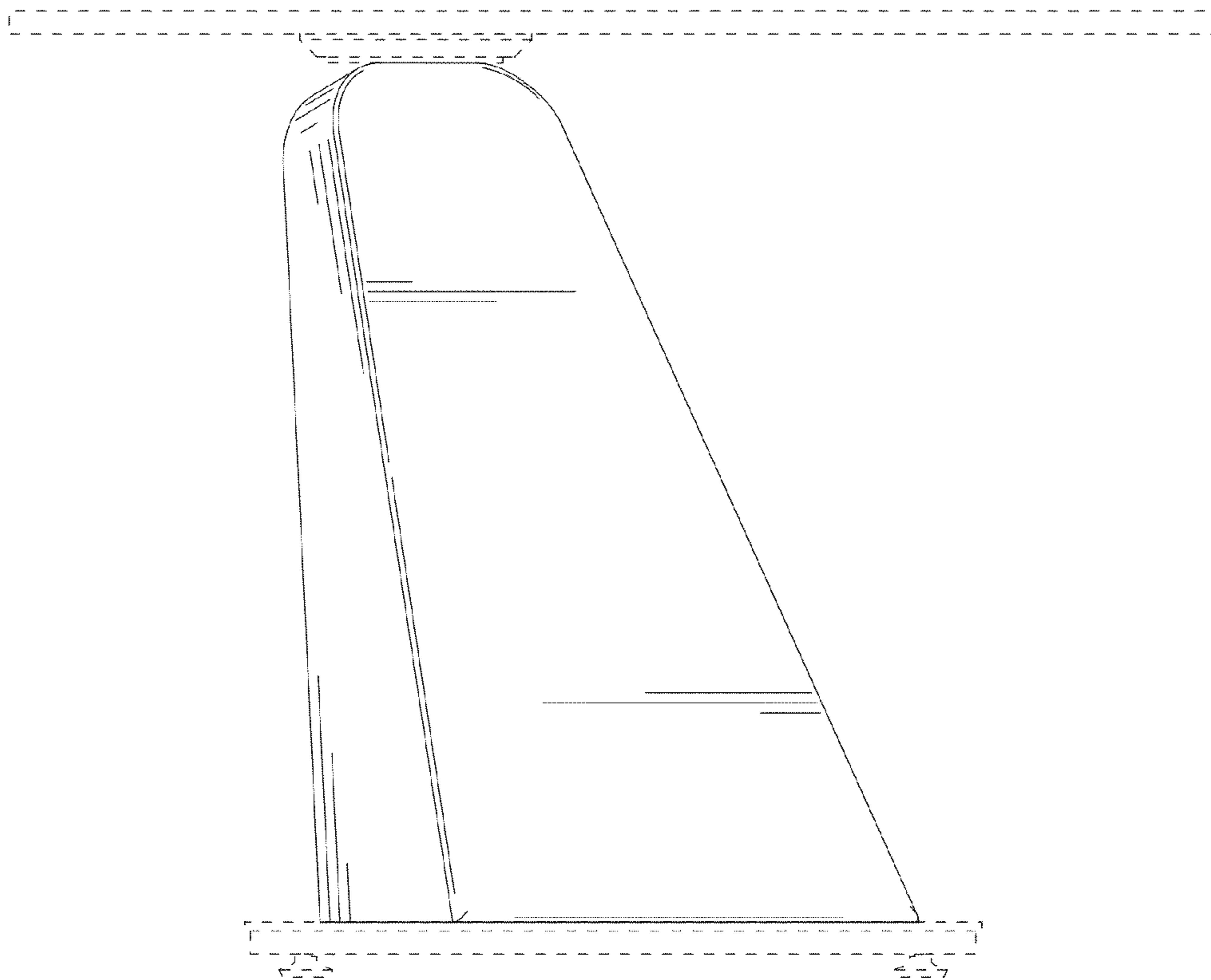
Wave Tables, designed by Rick Lee, available from Elite Manufacturing Corporation, 2-pages, 2008.

Jo-Lie Chair, designed by Roberto Romanello, manufactured by Segis, Italy, 2006.

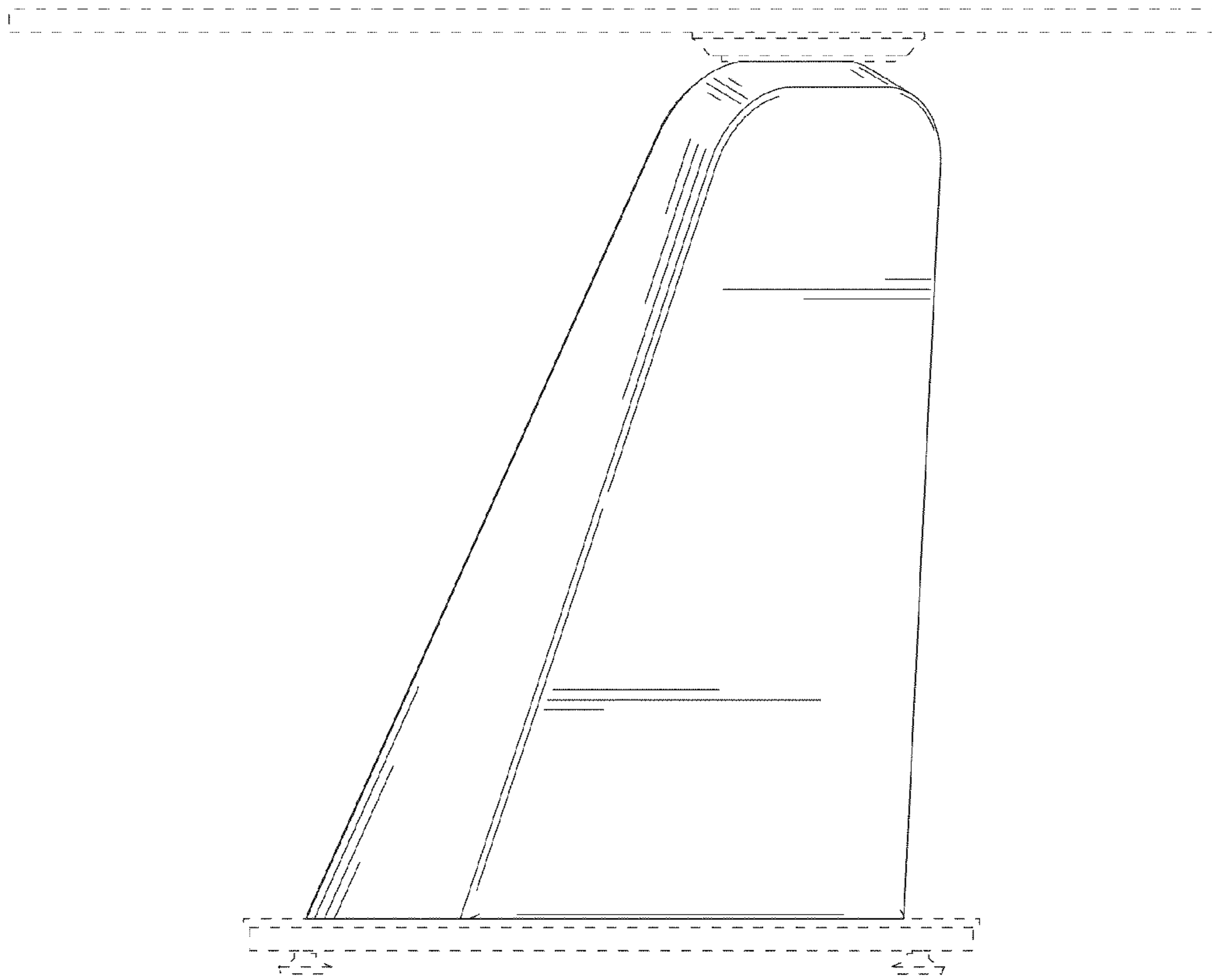
\* cited by examiner



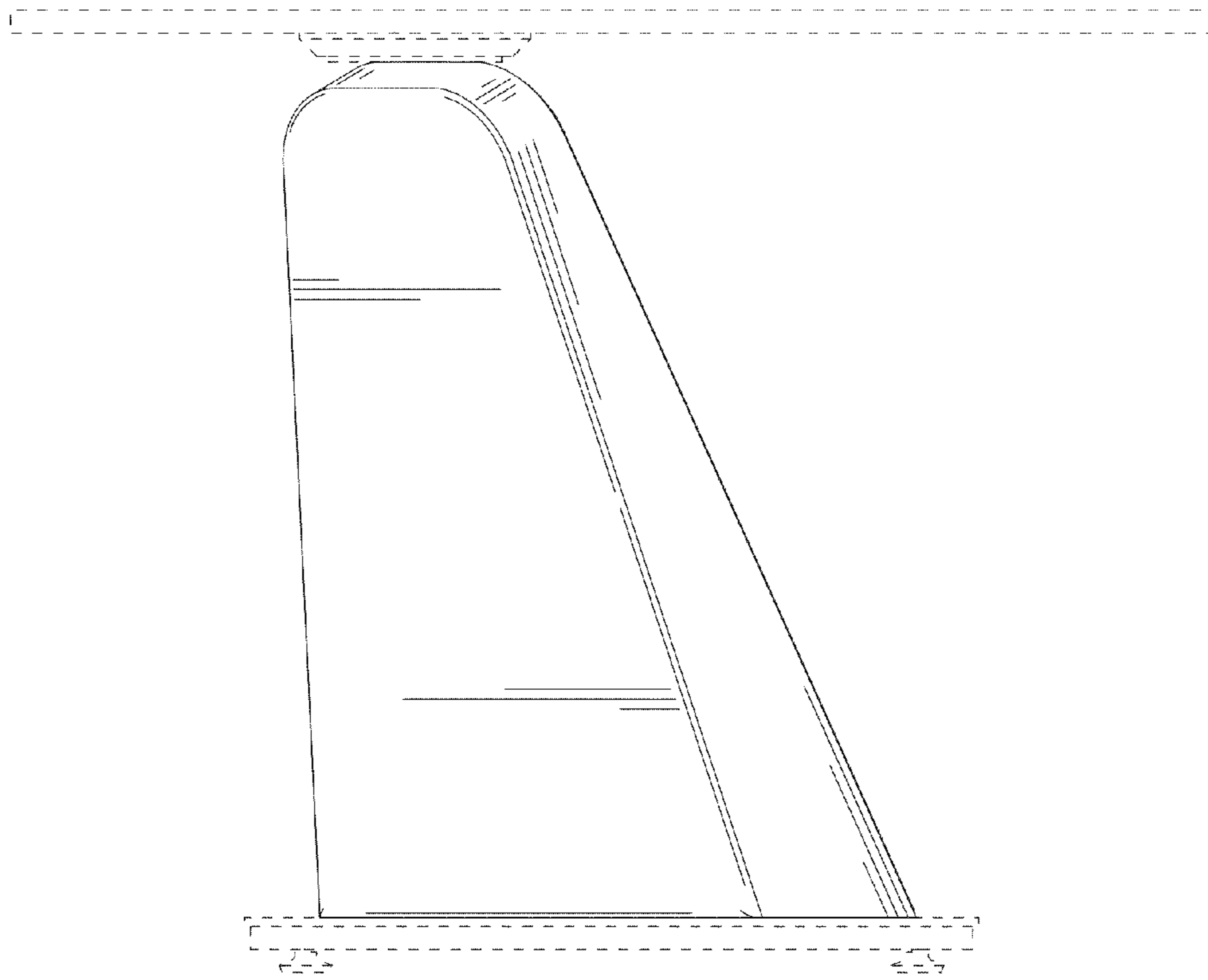
**FIG. 1**



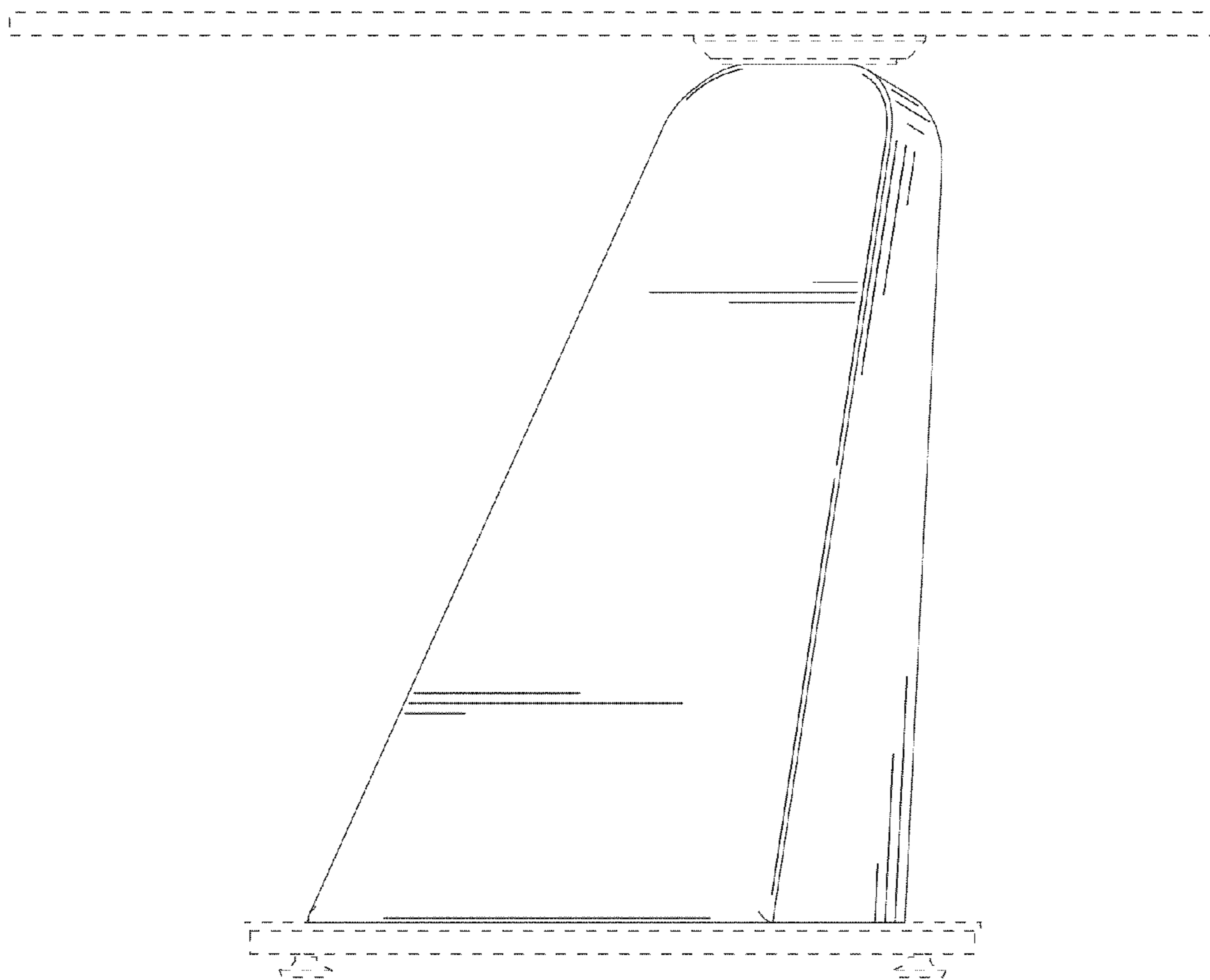
**FIG. 2**



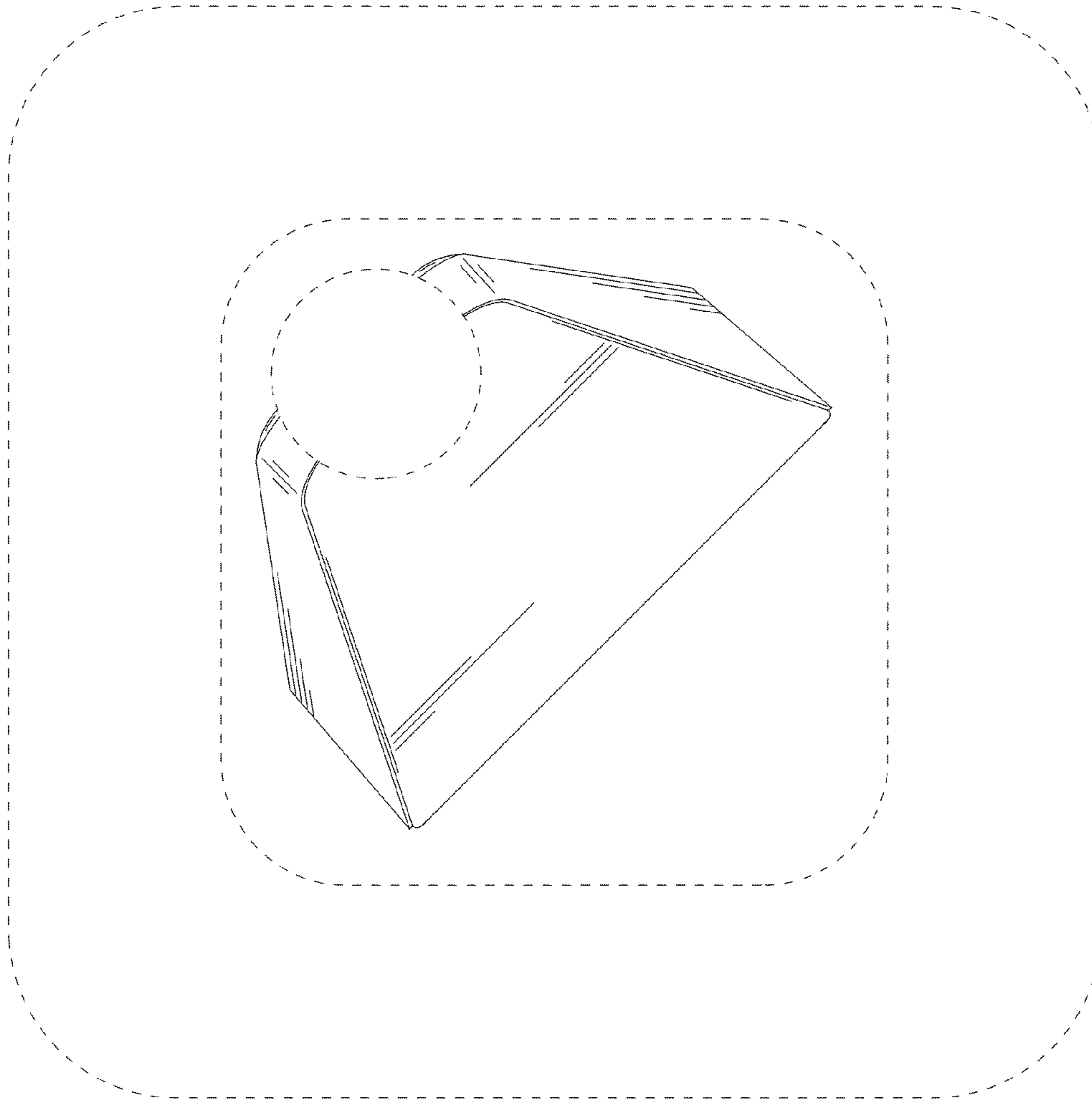
**FIG. 3**



**FIG. 4**

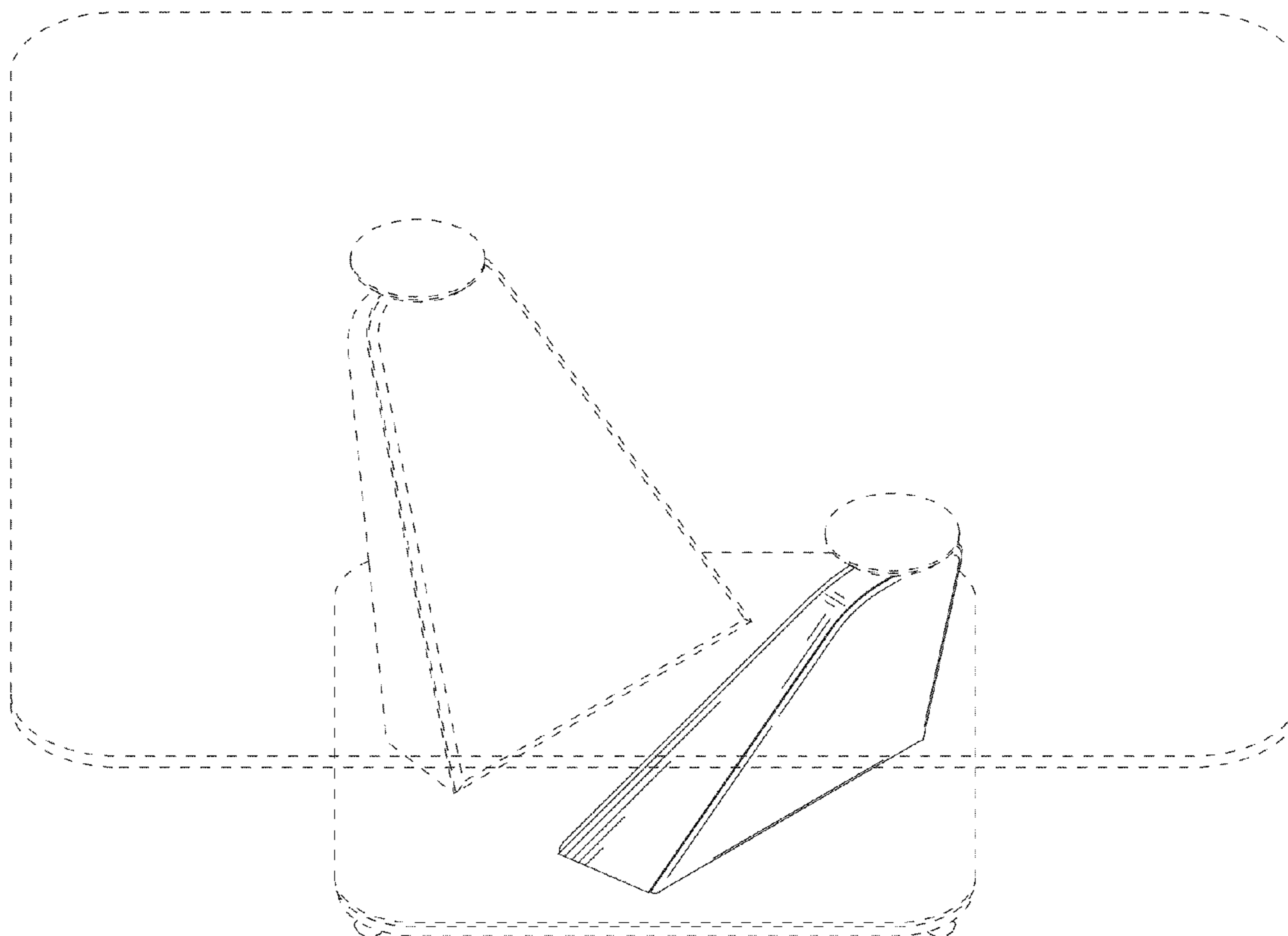


**FIG. 5**

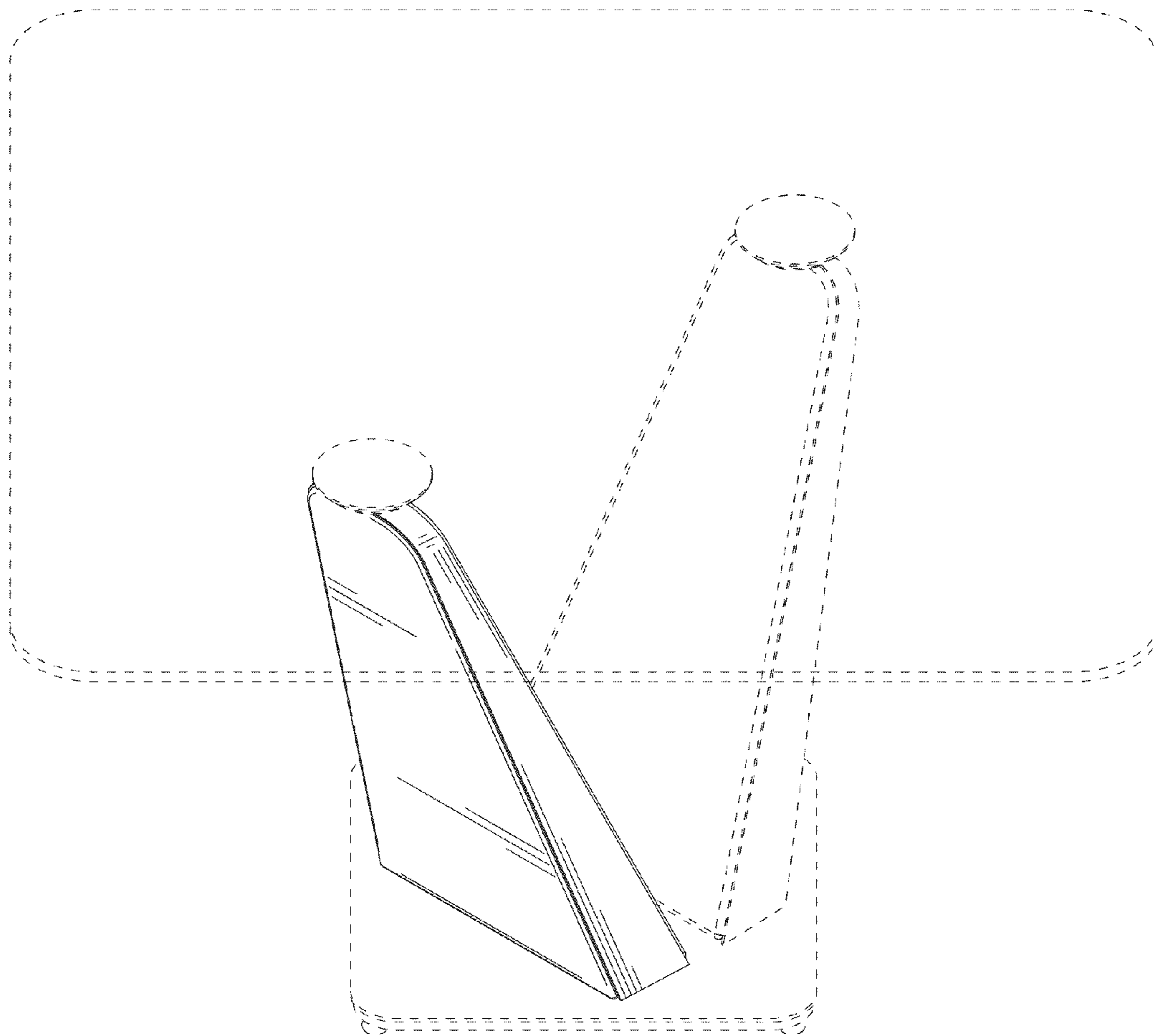


**FIG. 6**

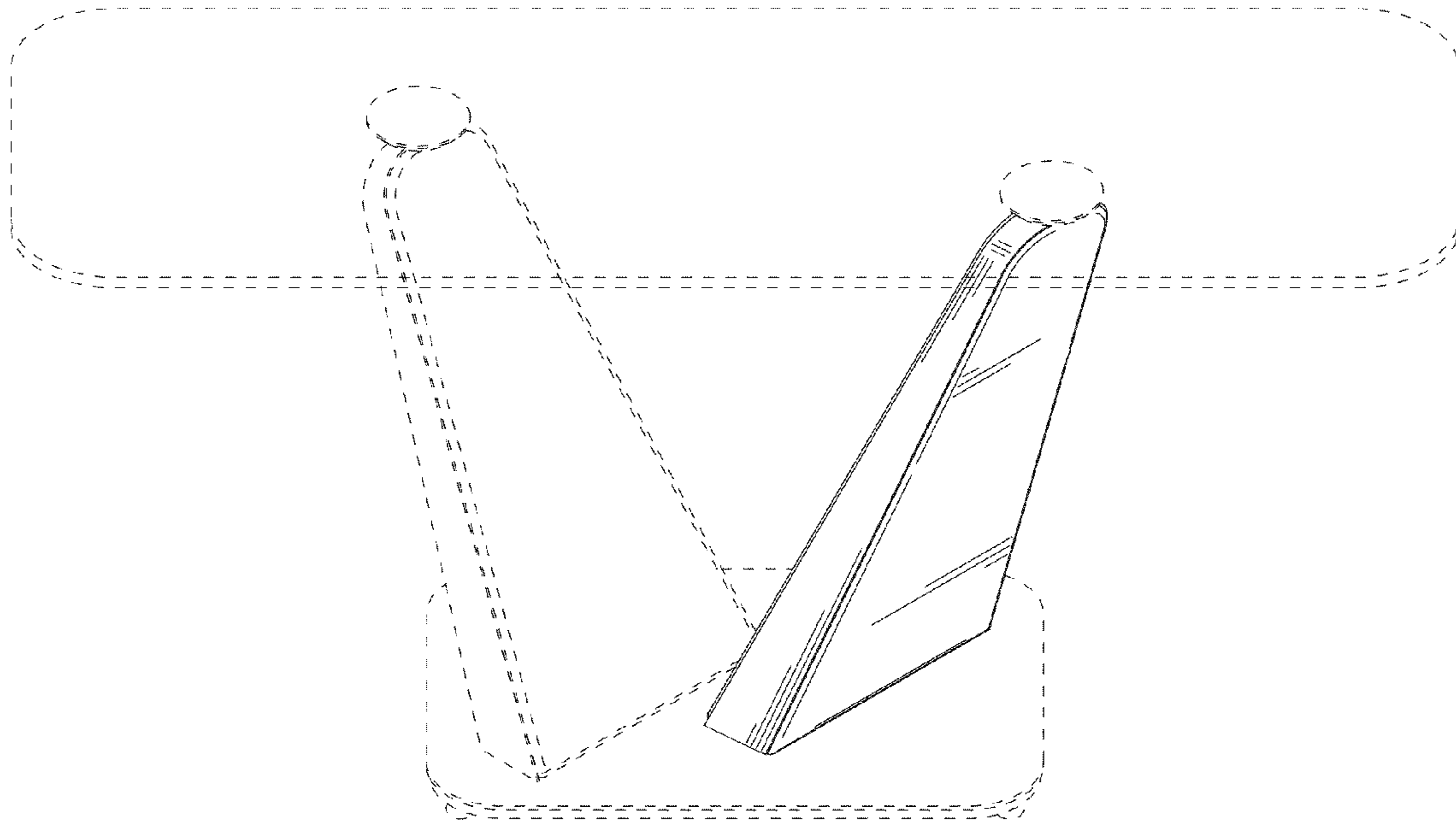




**FIG. 7**



**FIG. 8**



**FIG. 9**