



US00D650200S

(12) **United States Design Patent**  
**Francis**

(10) **Patent No.:** **US D650,200 S**

(45) **Date of Patent:** **\*\* Dec. 13, 2011**

(54) **PUBLICATION HOLDER**

(76) Inventor: **Donald W. Francis**, Martinsville, IN  
(US)

(\*\*) Term: **14 Years**

(21) Appl. No.: **29/363,504**

(22) Filed: **Jun. 10, 2010**

(51) **LOC (9) Cl.** ..... **06-03**

(52) **U.S. Cl.** ..... **D6/429; D6/419**

(58) **Field of Classification Search** ..... D6/419,  
D6/420, 429, 421; 248/441.1, 444.1, 451,  
248/454, 456, 460, 463

See application file for complete search history.

(56) **References Cited**

**U.S. PATENT DOCUMENTS**

D246,016 S *	10/1977	Brady	.....	D6/419
D329,762 S *	9/1992	Weeks	.....	D6/419
D368,602 S *	4/1996	Jordan	.....	D6/397

D404,933 S *	2/1999	Travers	.....	D6/419
5,908,207 A *	6/1999	Wilson	.....	281/45
5,979,857 A *	11/1999	Holm	.....	248/451

\* cited by examiner

*Primary Examiner* — Janice Seeger

(74) *Attorney, Agent, or Firm* — Woodard Emhardt Moriarty  
McNett & Henry LLP

(57) **CLAIM**

The ornamental design for a publication holder, as shown and described.

**DESCRIPTION**

FIG. 1 is a front view of the publication holder incorporating my new design;

FIG. 2 is a right hand side view of FIG. 1 thereof;

FIG. 3 is a left hand side view of FIG. 1 thereof;

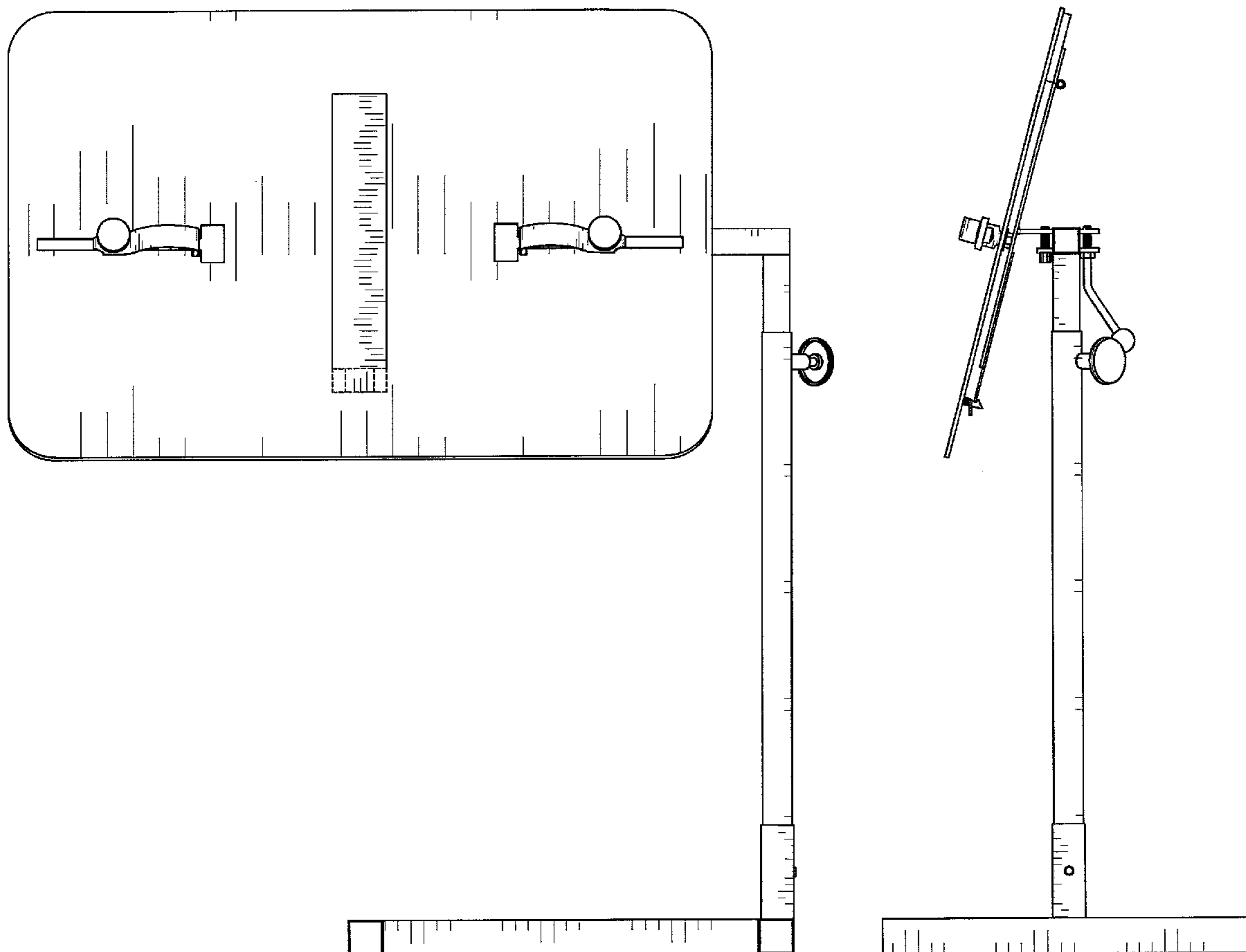
FIG. 4 is a rear view of FIG. 1 thereof;

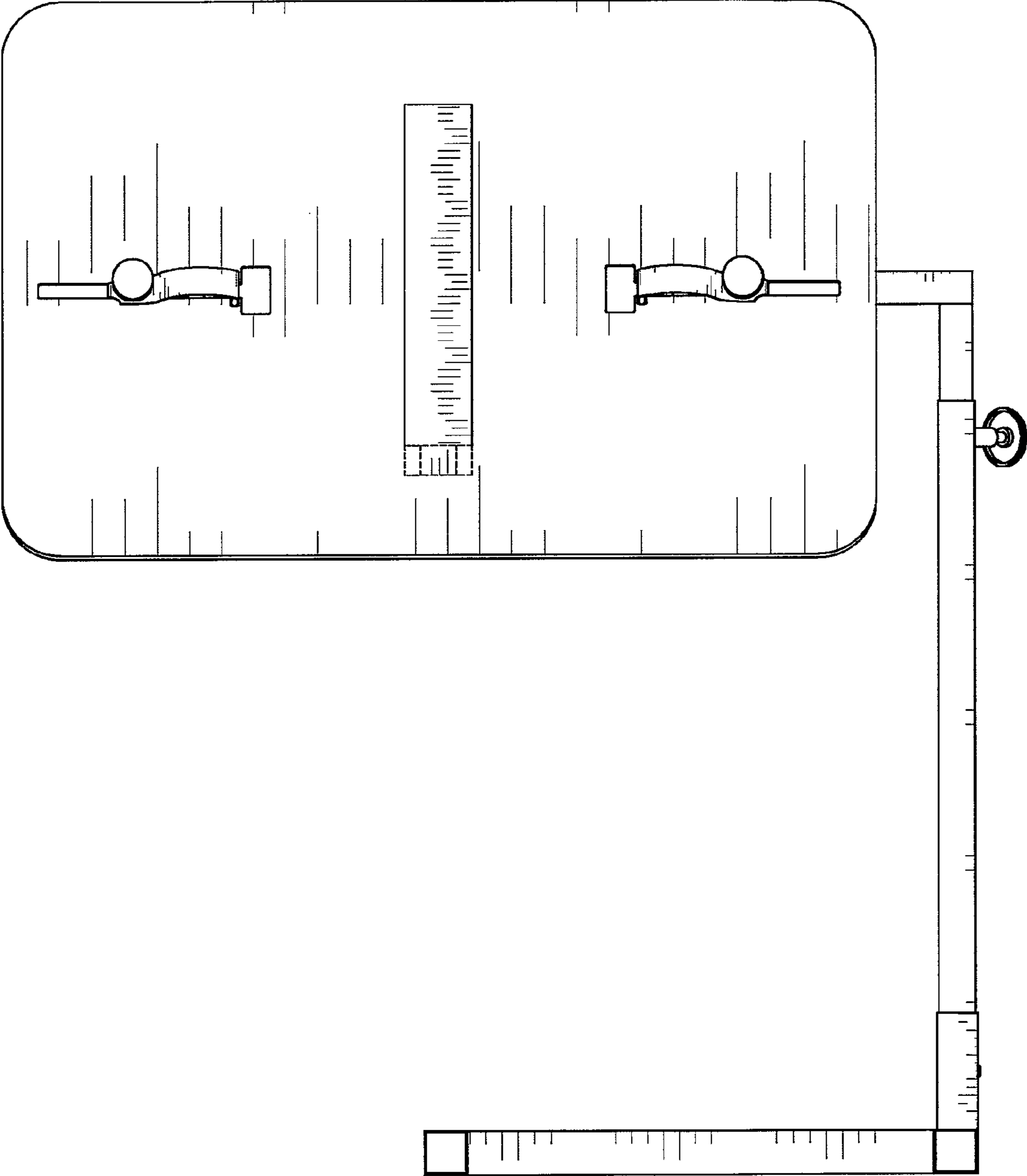
FIG. 5 is a top view of FIG. 1 thereof; and,

FIG. 6 is a bottom view of FIG. 1 thereof.

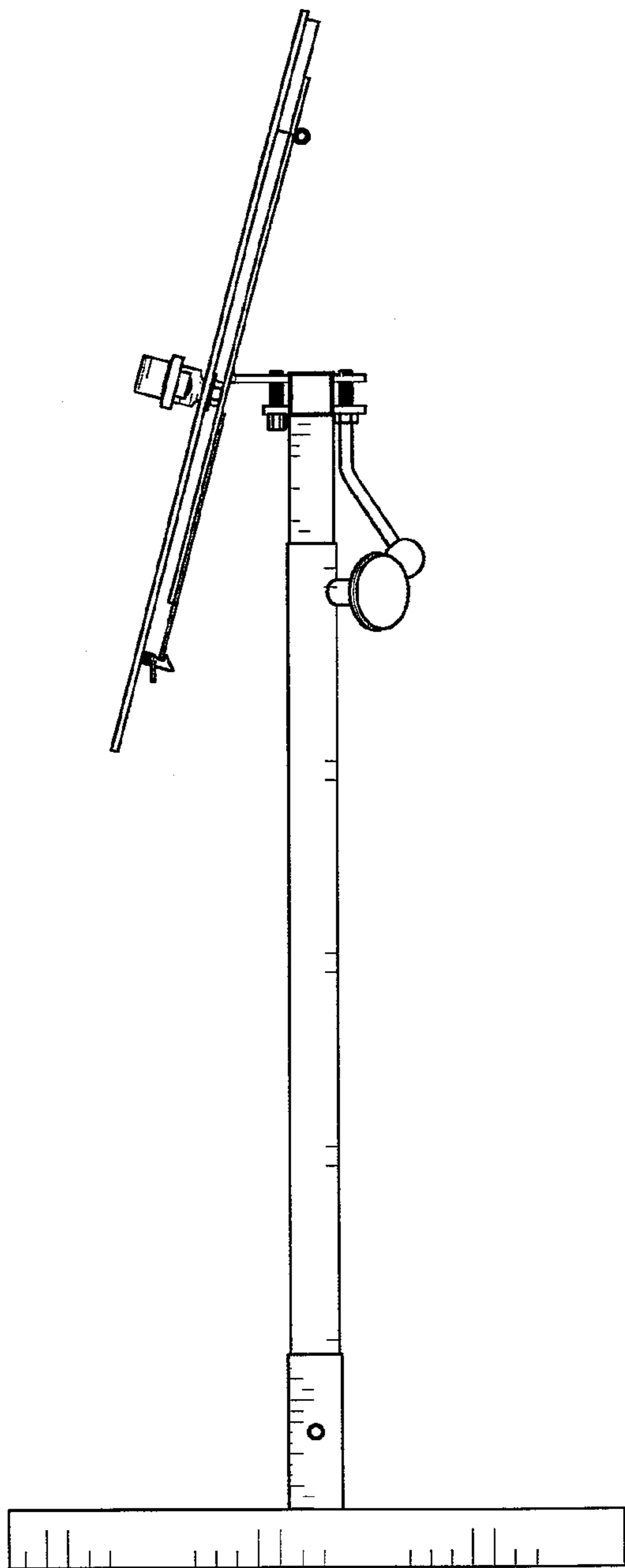
The broken line rectangles shown in FIGS. 1 and 4 are shown for environmental purposes only and do not form a part of the claimed design.

**1 Claim, 4 Drawing Sheets**

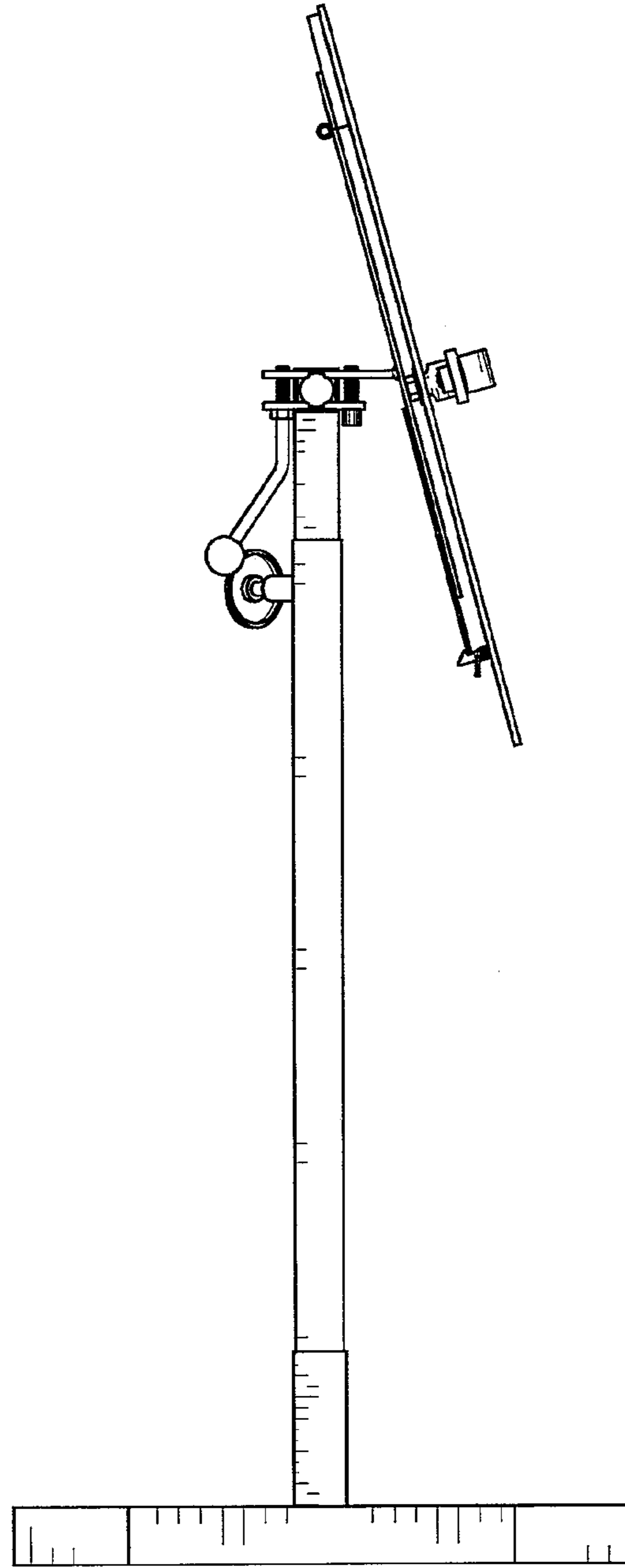




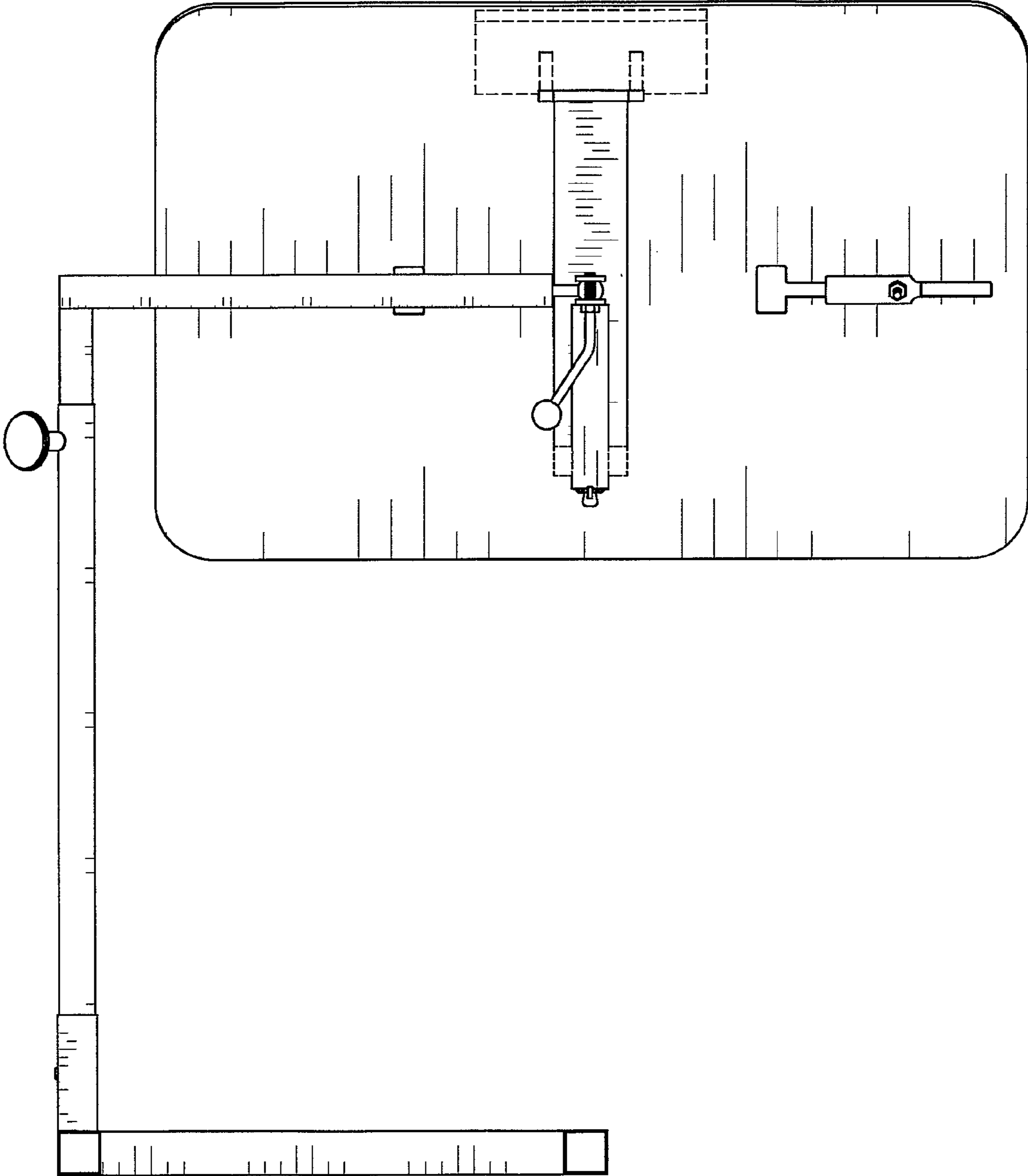
**Fig. 1**



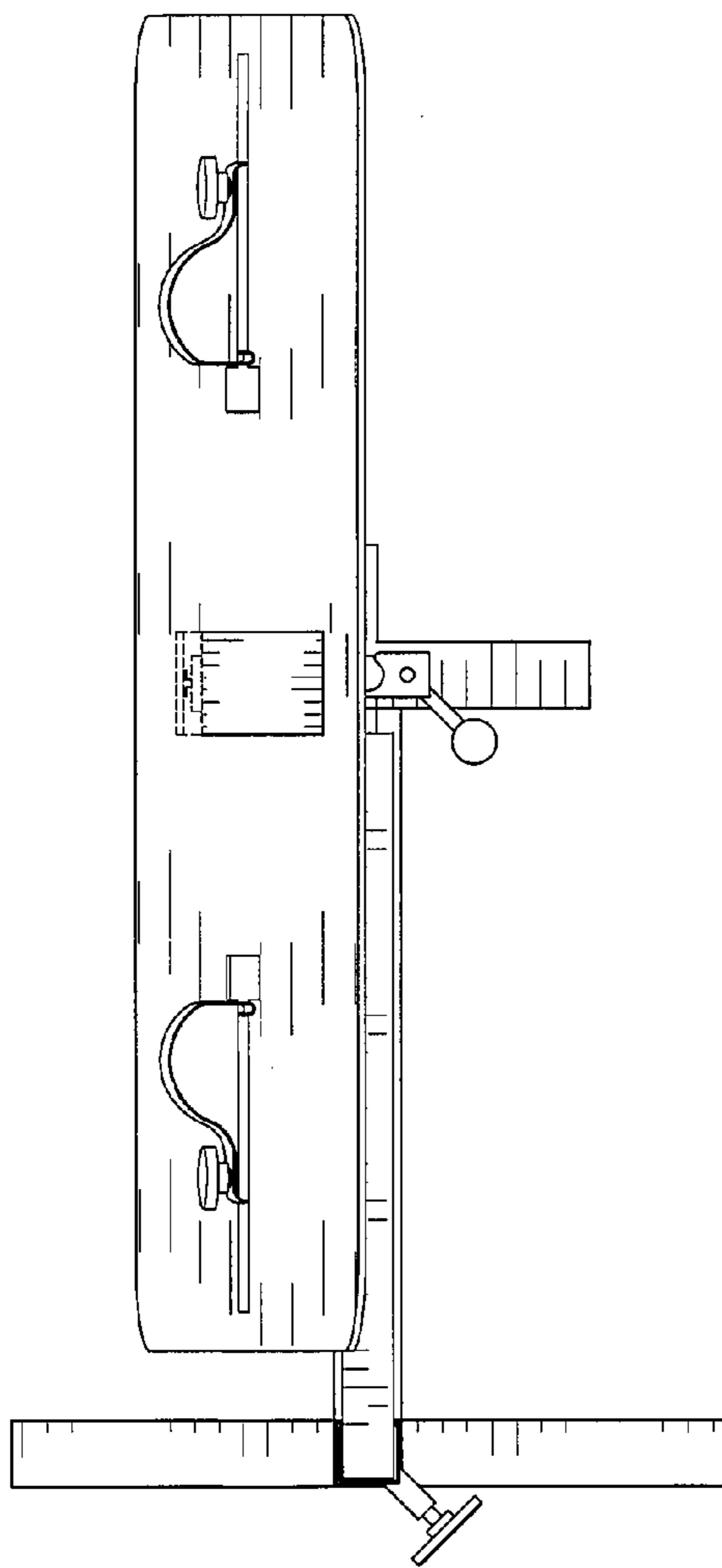
**Fig. 2**



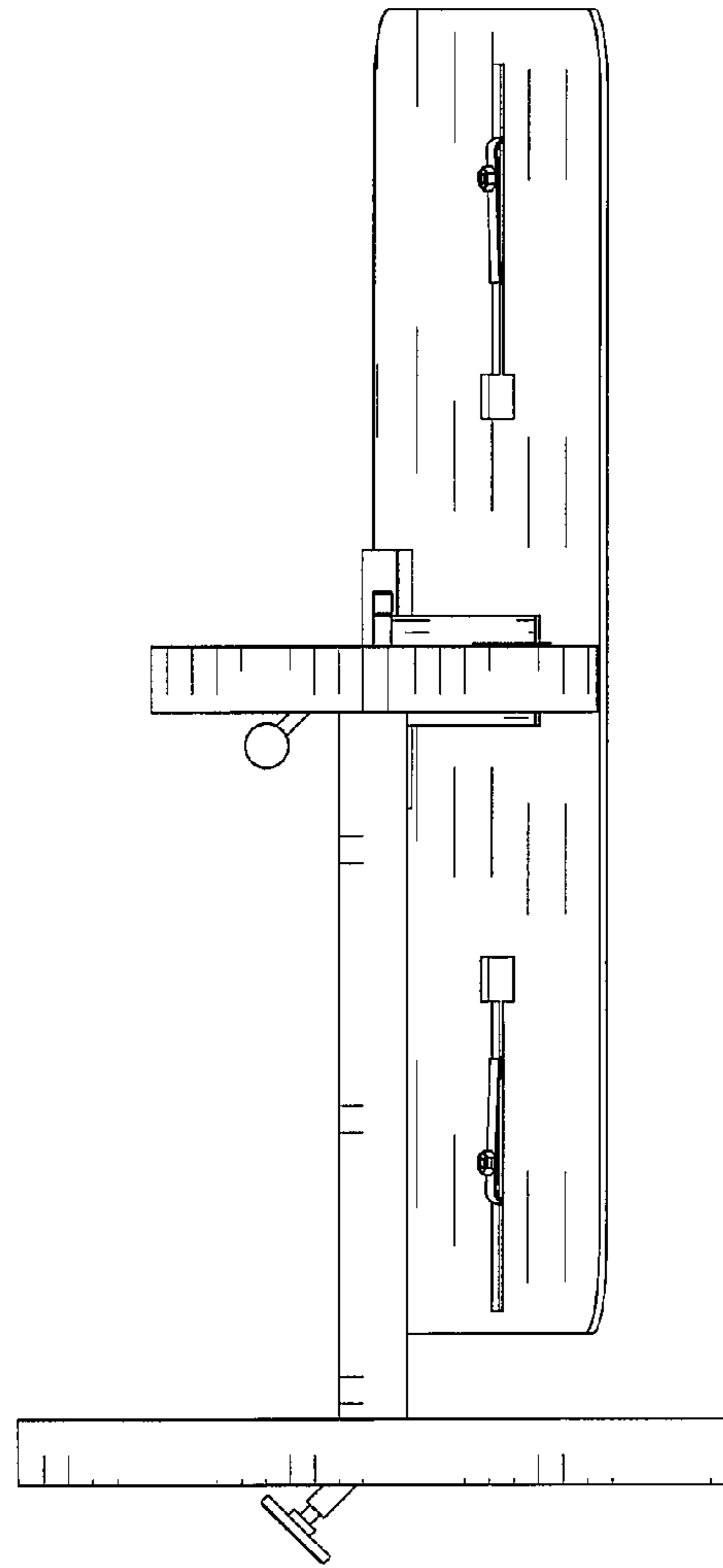
**Fig. 3**



**Fig. 4**



**Fig. 5**



**Fig. 6**