



US00D650199S

(12) **United States Design Patent**
Figueras Mitjans

(10) **Patent No.:** **US D650,199 S**

(45) **Date of Patent:** **** Dec. 13, 2011**

(54) **STAND WITH TRAY**

D6/511; 297/232, 248, 311, 324, 326, 332,
335, 411.45, 451.5, 120, 452.11

(75) **Inventor:** **José Figueras Mitjans**, Lliçà D'Amunt
(ES)

See application file for complete search history.

(73) **Assignee:** **Figueras International Seating, S.A.**,
Llica D'Amunt-Barcelona (ES)

(56) **References Cited**

(**) **Term:** **14 Years**

U.S. PATENT DOCUMENTS

(21) **Appl. No.:** **29/378,543**

D273,163 S *	3/1984	Halme	D6/420
D399,077 S *	10/1998	Lepper et al.	D6/484
D577,517 S *	9/2008	Kumazawa	D6/499
D581,704 S *	12/2008	Hwang	D6/486
D590,182 S *	4/2009	Hwang	D6/420
D617,107 S *	6/2010	Thuente et al.	D6/362
D627,178 S *	11/2010	Adams et al.	D6/484
D628,405 S *	12/2010	Pippin	D6/418

(22) **Filed:** **Nov. 5, 2010**

* cited by examiner

Related U.S. Application Data

(62) Division of application No. 29/355,358, filed on Feb.
5, 2010, now Pat. No. Des. 638,634.

Primary Examiner — Caron D Veynar

Assistant Examiner — Kelley Donnelly

(30) **Foreign Application Priority Data**

(74) *Attorney, Agent, or Firm* — Lucas & Mercanti, LLP

Aug. 5, 2009	(ES)	001598160-0001
Aug. 5, 2009	(ES)	001598160-0002
Aug. 5, 2009	(ES)	001598160-0003
Aug. 5, 2009	(ES)	001598160-0004
Aug. 5, 2009	(ES)	001598160-0005
Aug. 5, 2009	(ES)	001598160-0006
Aug. 5, 2009	(ES)	001598160-0007
Aug. 5, 2009	(ES)	001598160-0008

(57) **CLAIM**

The ornamental design for a stand with tray, as shown and described.

(51) **LOC (9) Cl.** **06-06**

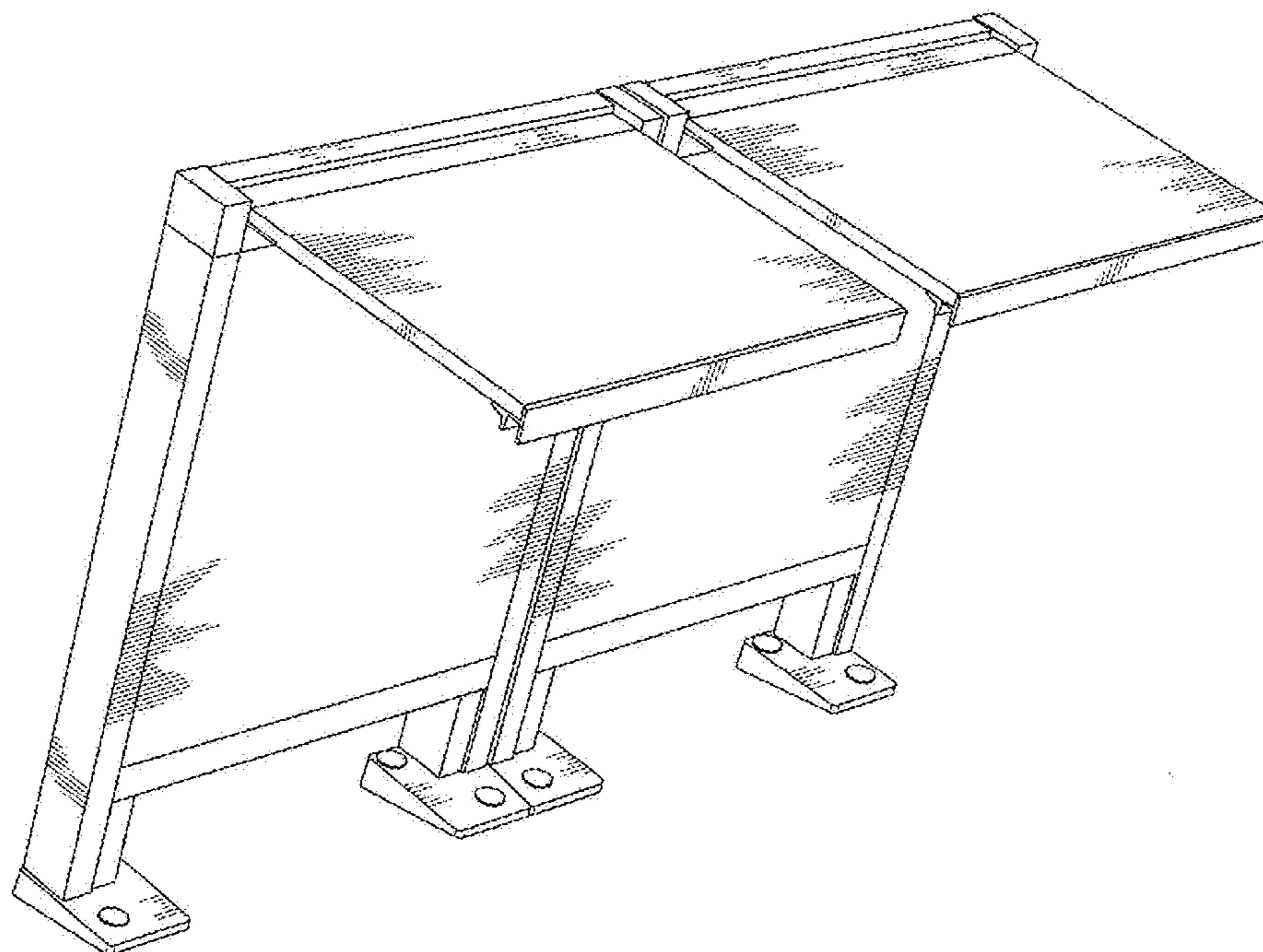
(52) **U.S. Cl.** **D6/420**

(58) **Field of Classification Search** D6/362,
D6/364, 335-336, 365, 367-368, 371-374,
D6/381, 396-397, 406.3, 420, 500-502, 509,

DESCRIPTION

FIG. 1 is a front perspective view of the stand with tray showing my new design;
FIG. 2 is a front view thereof;
FIG. 3 is a side view, the other side being a mirror image thereof;
FIG. 4 is a rear view thereof; and,
FIG. 5 is a top view thereof.

1 Claim, 5 Drawing Sheets



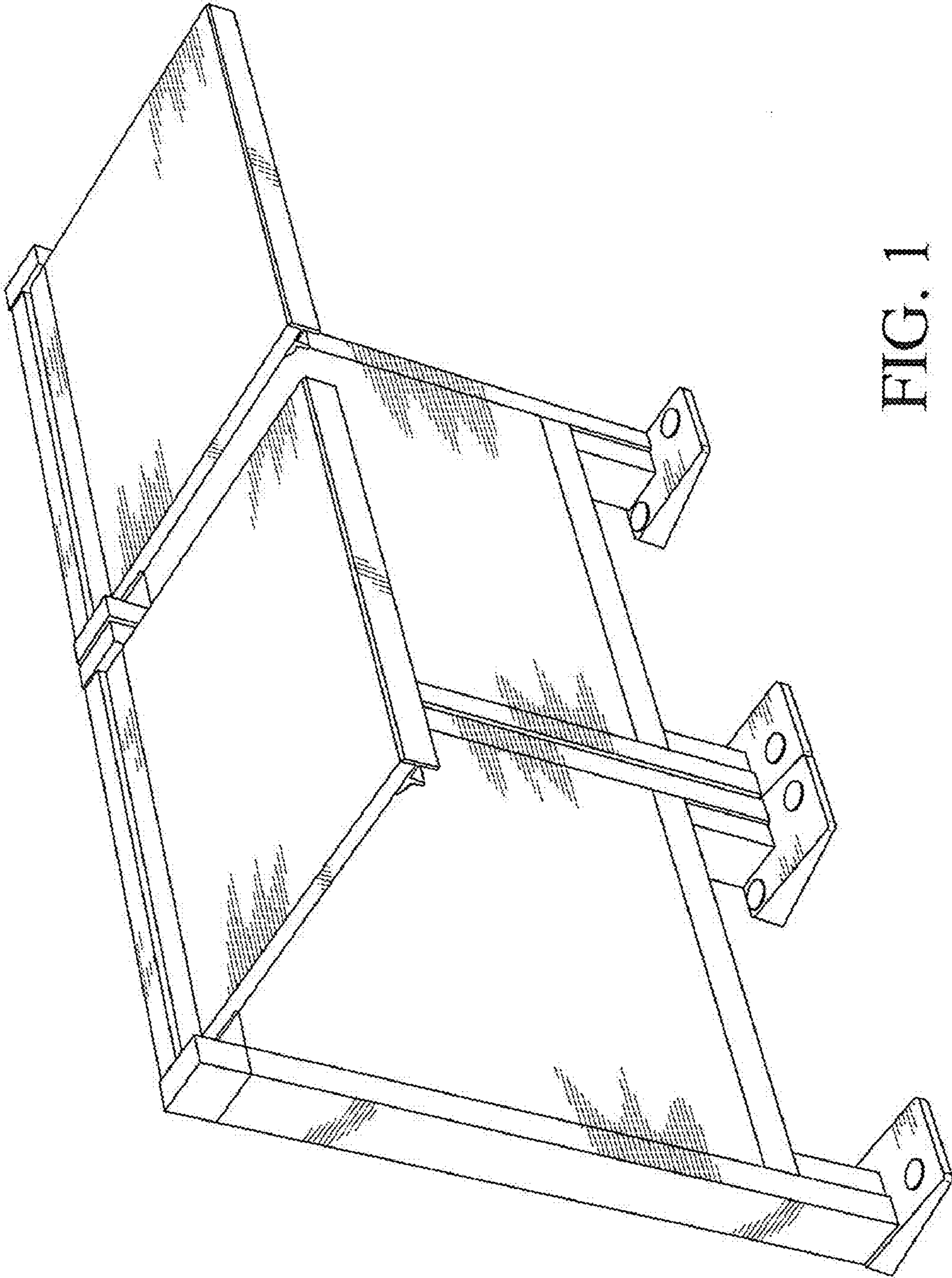


FIG. 1

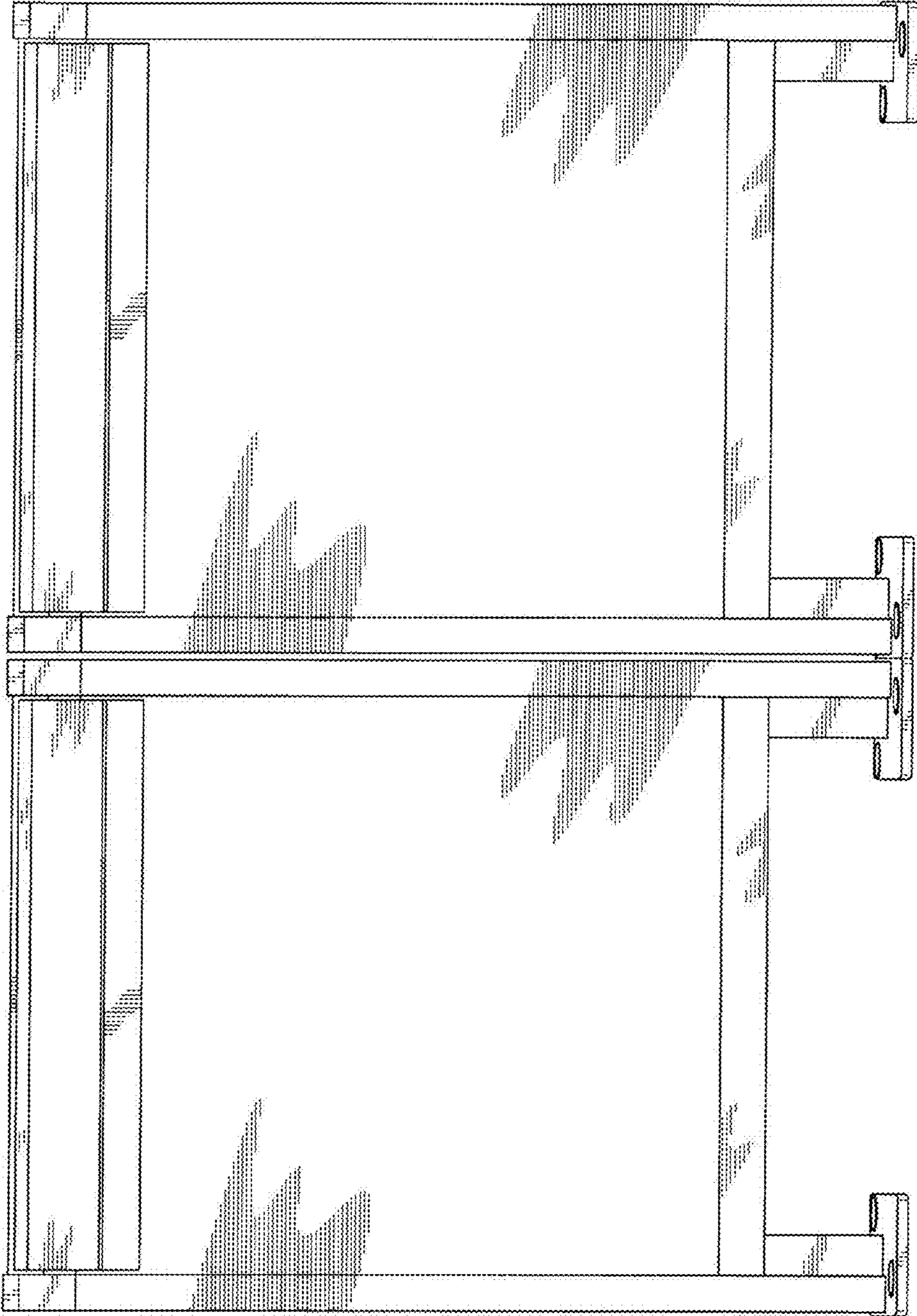


FIG. 2

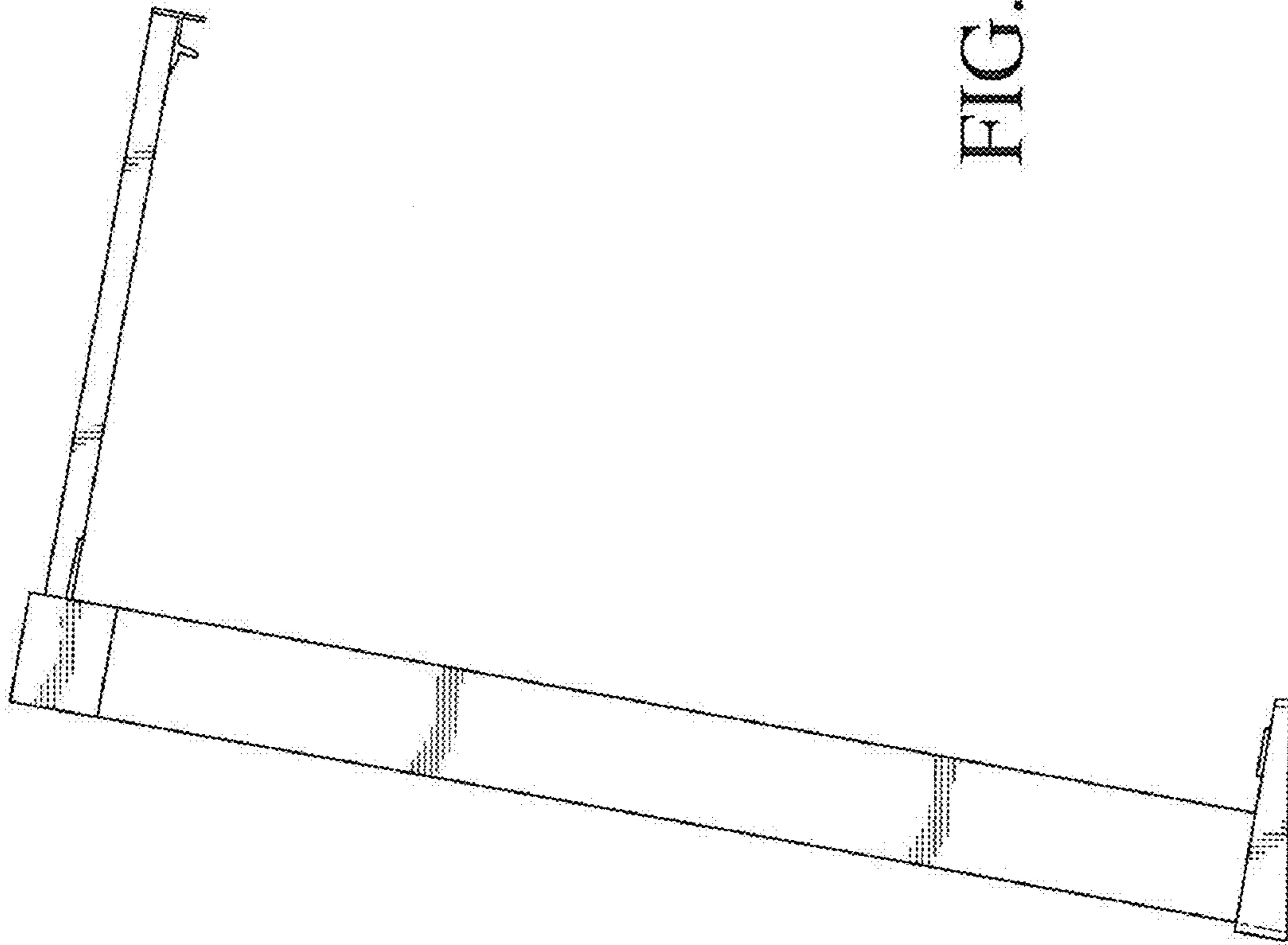


FIG. 3

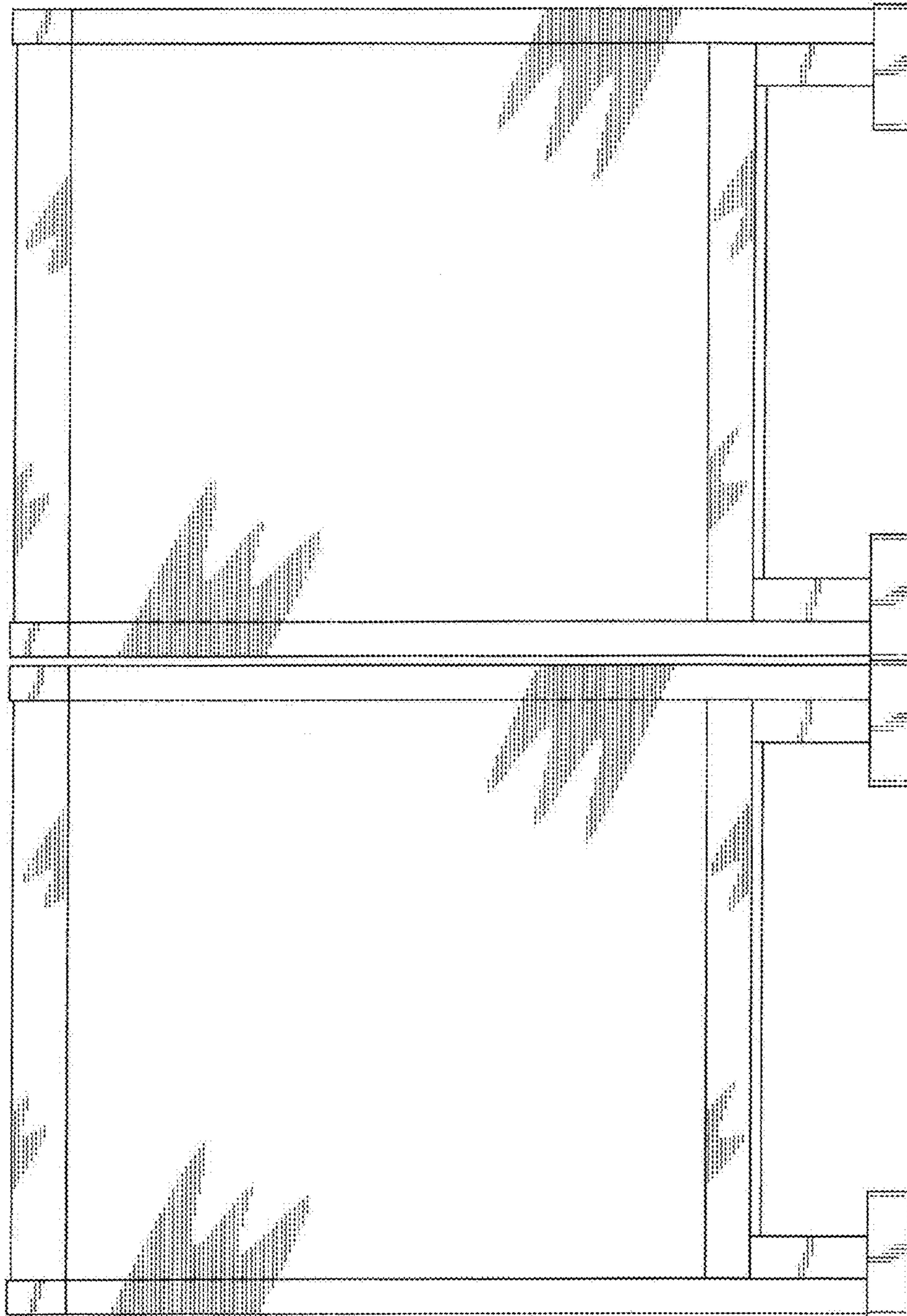


FIG. 4

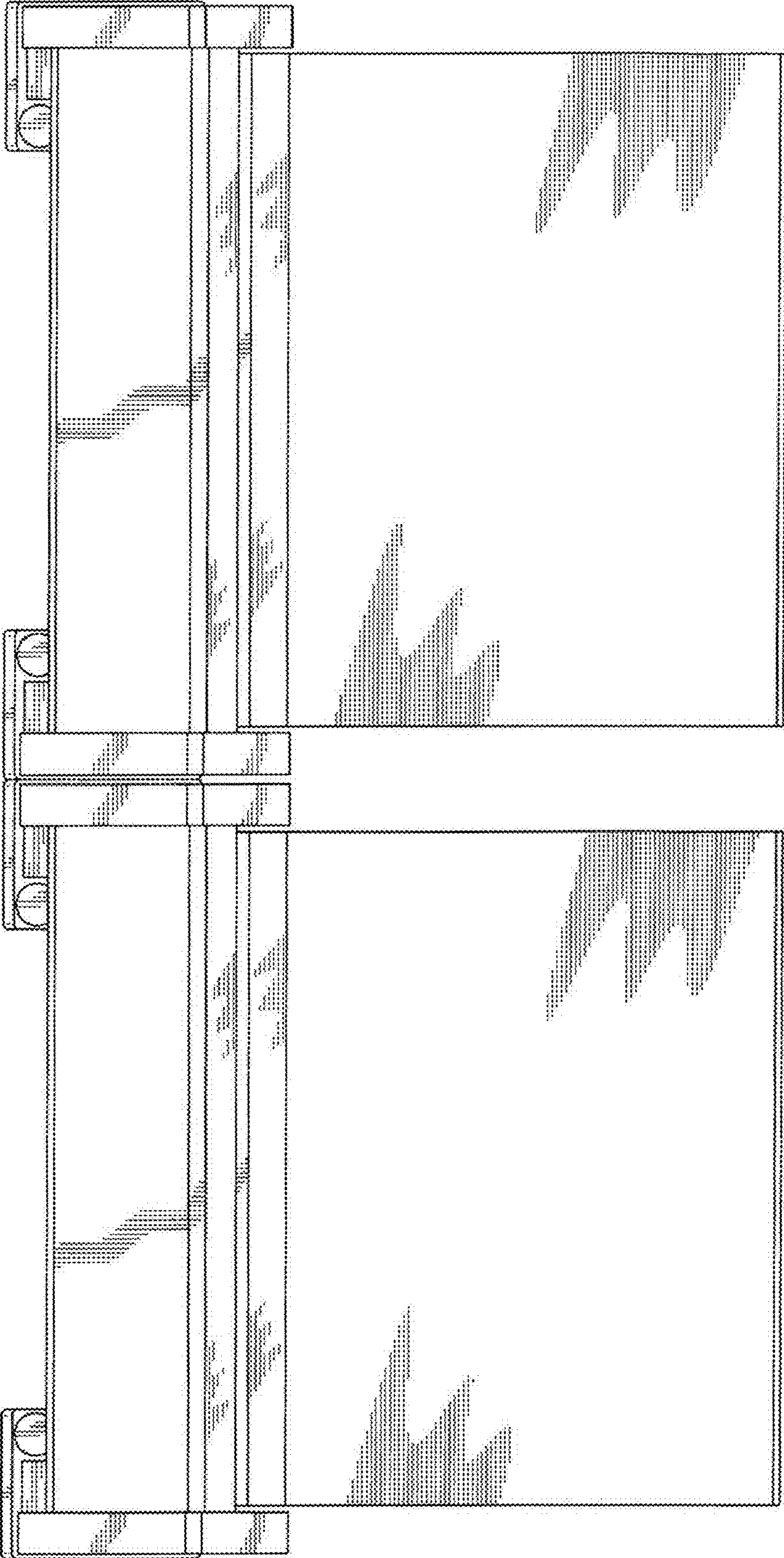


FIG. 5