



US00D650196S

(12) **United States Design Patent**
Swy et al.

(10) **Patent No.:** **US D650,196 S**
(45) **Date of Patent:** **** Dec. 13, 2011**

(54) **CHAIR BASE**

(75) Inventors: **Philip P. Swy**, Temperance, MI (US);
Brian E. Williams, Ida, MI (US)

(73) Assignee: **Michigan Tube Swagers & Fabricators, Inc.**, Temperance, MI (US)

(**) Term: **14 Years**

(21) Appl. No.: **29/380,992**

(22) Filed: **Dec. 14, 2010**

Related U.S. Application Data

(60) Continuation-in-part of application No. 29/365,846, filed on Jul. 15, 2010, now Pat. No. Des. 629,629, which is a division of application No. 29/326,504, filed on Oct. 20, 2008, now Pat. No. Des. 624,327.

(51) **LOC (9) Cl.** **06-01**

(52) **U.S. Cl.** **D6/374**

(58) **Field of Classification Search** D6/334-336,
D6/371, 372, 373, 374, 375, 376, 379, 380,
D6/500-502; 297/183.1, 183.7, 239, 445.1,
297/446.1, 448.1, 452.38, 452.48

See application file for complete search history.

(56) **References Cited**

U.S. PATENT DOCUMENTS

3,102,733	A	9/1963	Burnett	
3,203,731	A	8/1965	Krueger	
D213,438	S *	3/1969	Koch	D6/374
3,856,352	A	12/1974	Jacobi, Sr.	
5,524,963	A	6/1996	Barile	
D401,769	S *	12/1998	Kaiser	D6/334
D421,344	S *	3/2000	Kaiser	D6/334
D509,084	S *	9/2005	Barile, Jr.	D6/500
7,052,083	B2	5/2006	Peitz et al.	

D525,056	S *	7/2006	Muller	D6/500
D526,823	S *	8/2006	Muller	D6/500
D574,622	S *	8/2008	Neil	D6/374

(Continued)

OTHER PUBLICATIONS

MTS Alpha/Omega Steel Series, Model #577 (believed to have been offered for sale, publicly used, and/or published prior to the filing date of this application).

(Continued)

Primary Examiner — Brian N Vinson

(74) *Attorney, Agent, or Firm* — Gifford, Krass, Sprinkle, Anderson & Citkowski, P.C.

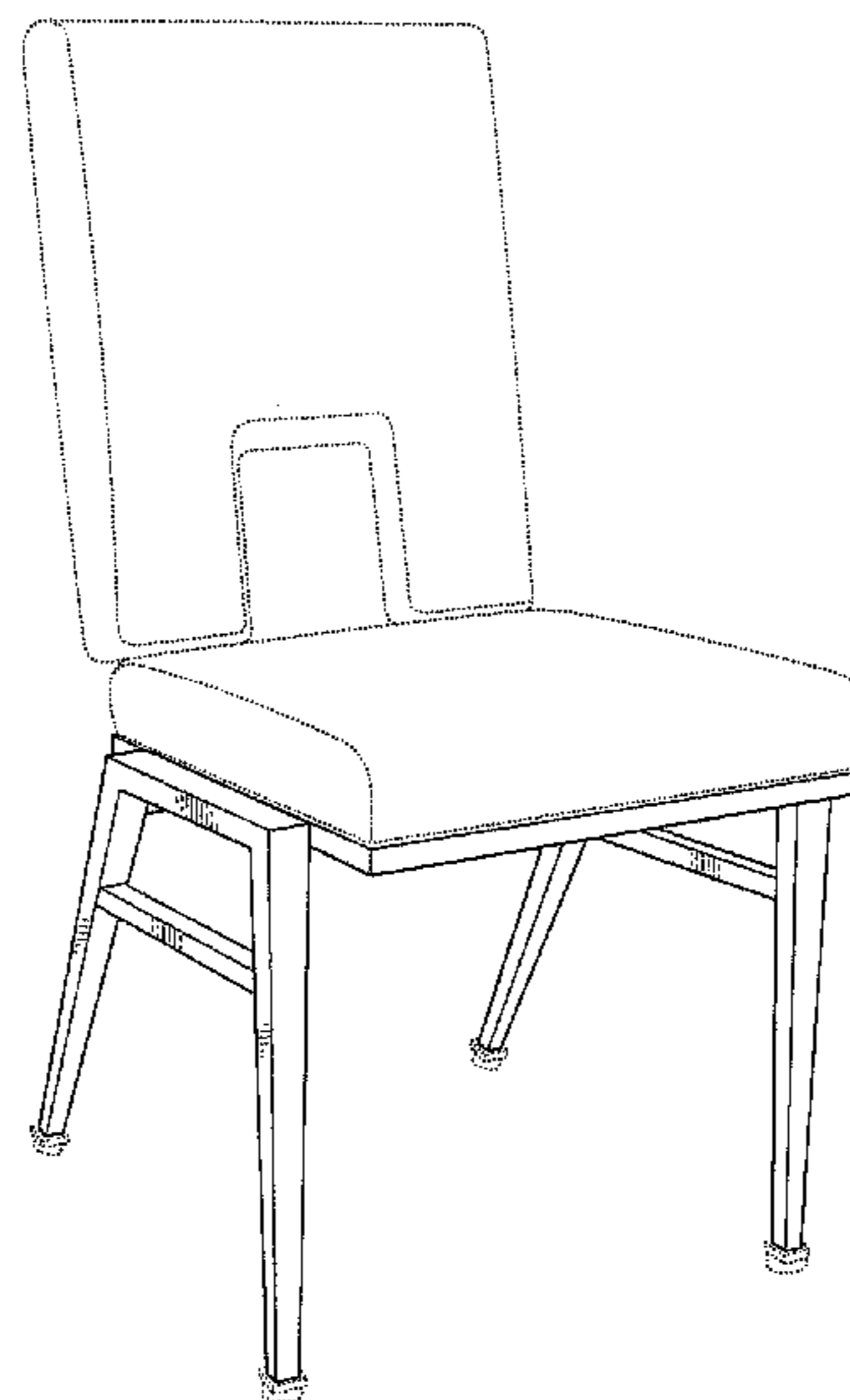
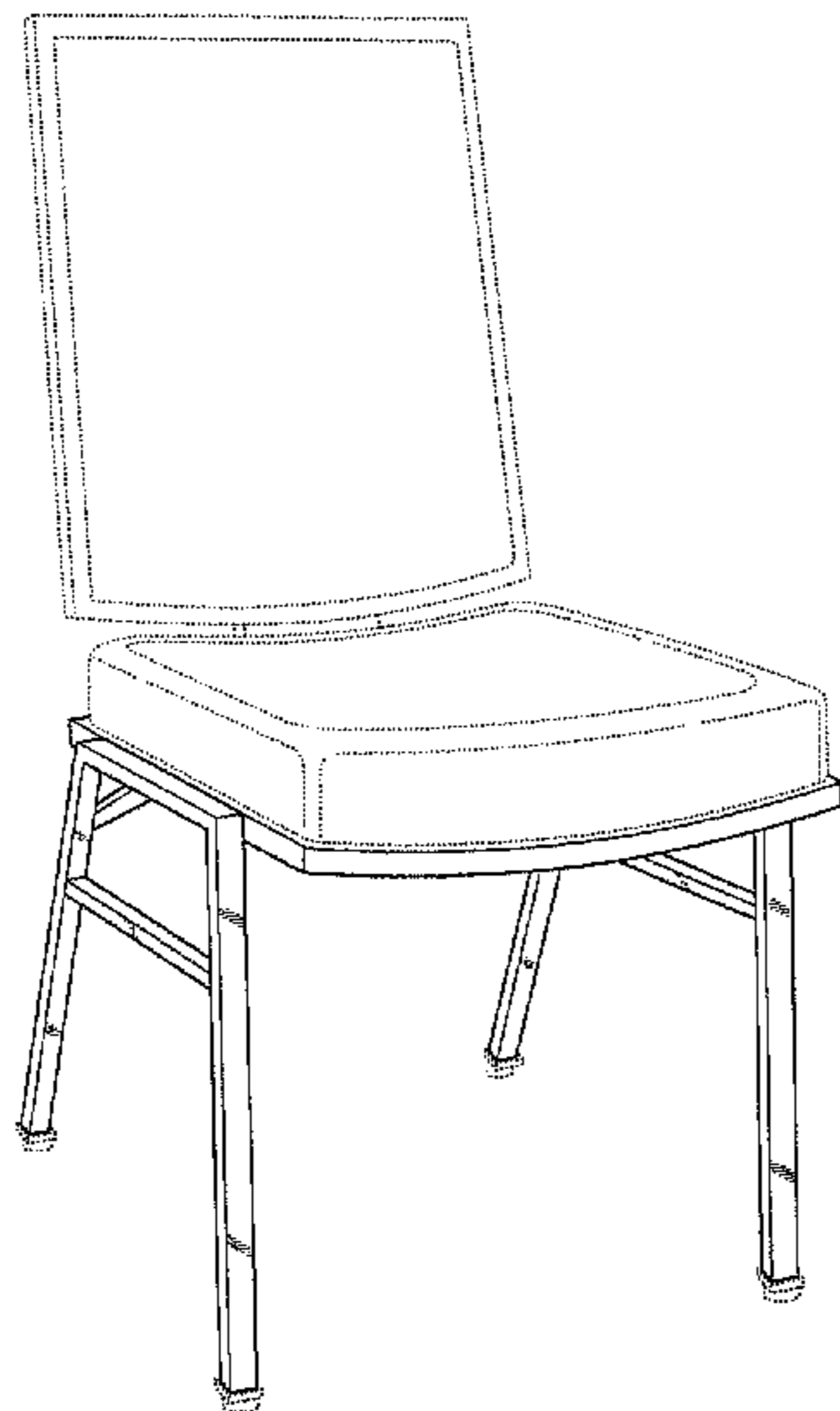
(57) **CLAIM**

The ornamental design for chair base, as shown and described.

DESCRIPTION

FIG. 1 is a perspective view of a chair base according to a first embodiment of the present invention;
FIG. 2 is a side elevational view of the chair base of FIG. 1, the opposite side being a mirror image thereof;
FIG. 3 is a front elevational view of the chair base of FIGS. 1 and 2;
FIG. 4 is a rear elevational view of the chair base of FIGS. 1-3;
FIG. 5 is a top view of the chair base of FIGS. 1-4;
FIG. 6 is a bottom view of the chair base of FIGS. 1-5;
FIG. 7 is a perspective view of an alternative version of the chair base of FIG. 1;
FIG. 8 is a side elevational view of the chair base of FIG. 7, the opposite side being a mirror image thereof;
FIG. 9 is a front elevational view of the chair base of FIGS. 7 and 8;
FIG. 10 is a rear elevational view of the chair base of FIGS. 7-9;
FIG. 11 is a top view of the chair base of FIGS. 7-10; and,
FIG. 12 is a bottom view of the chair base of FIGS. 7-11.
The broken lines shown in the Figures are for environmental purposes only and form no part of the claimed design.

1 Claim, 6 Drawing Sheets



U.S. PATENT DOCUMENTS

D578,788	S	*	10/2008	Ware	D6/374
D602,278	S		10/2009	Kubryk		
D602,279	S		10/2009	Kubryk		
D603,179	S		11/2009	Kubryk		
D607,226	S		1/2010	Kubryk		
D607,655	S		1/2010	Kubryk		
D607,657	S		1/2010	Kubryk		
D607,659	S		1/2010	Kubryk		
D608,105	S		1/2010	Kubryk		
D611,266	S		3/2010	Kubryk		
D624,327	S		9/2010	Swy		
D629,223	S	*	12/2010	Swy	D6/374
2005/0242651	A1		11/2005	Peitz et al.		

OTHER PUBLICATIONS

MTS Alpha/Omega Steel Series, Model #578 (believed to have been offered for sale, publicly used, and/or published prior to the filing of this application).

Shelby Williams, The Premier Banquet Series, p. BQ-50 (believed to

have been offered for sale, publicly used, and/or published prior to the filing date of this application).

Tri-Par, Square Tubular Steel Stacking Chairs, p. 8 (believed to have been offered for sale, publicly used, and/or published prior to the filing date of this application).

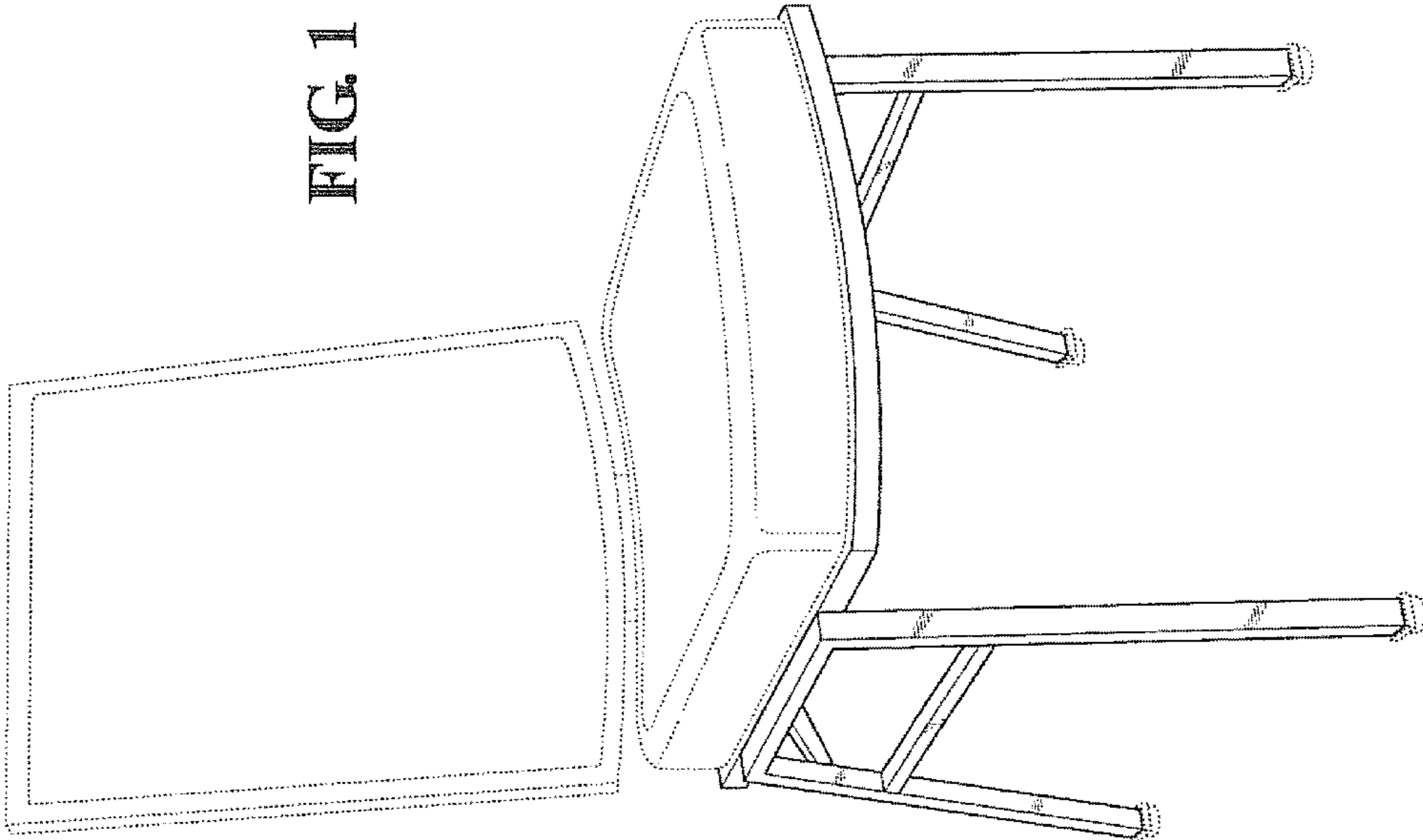
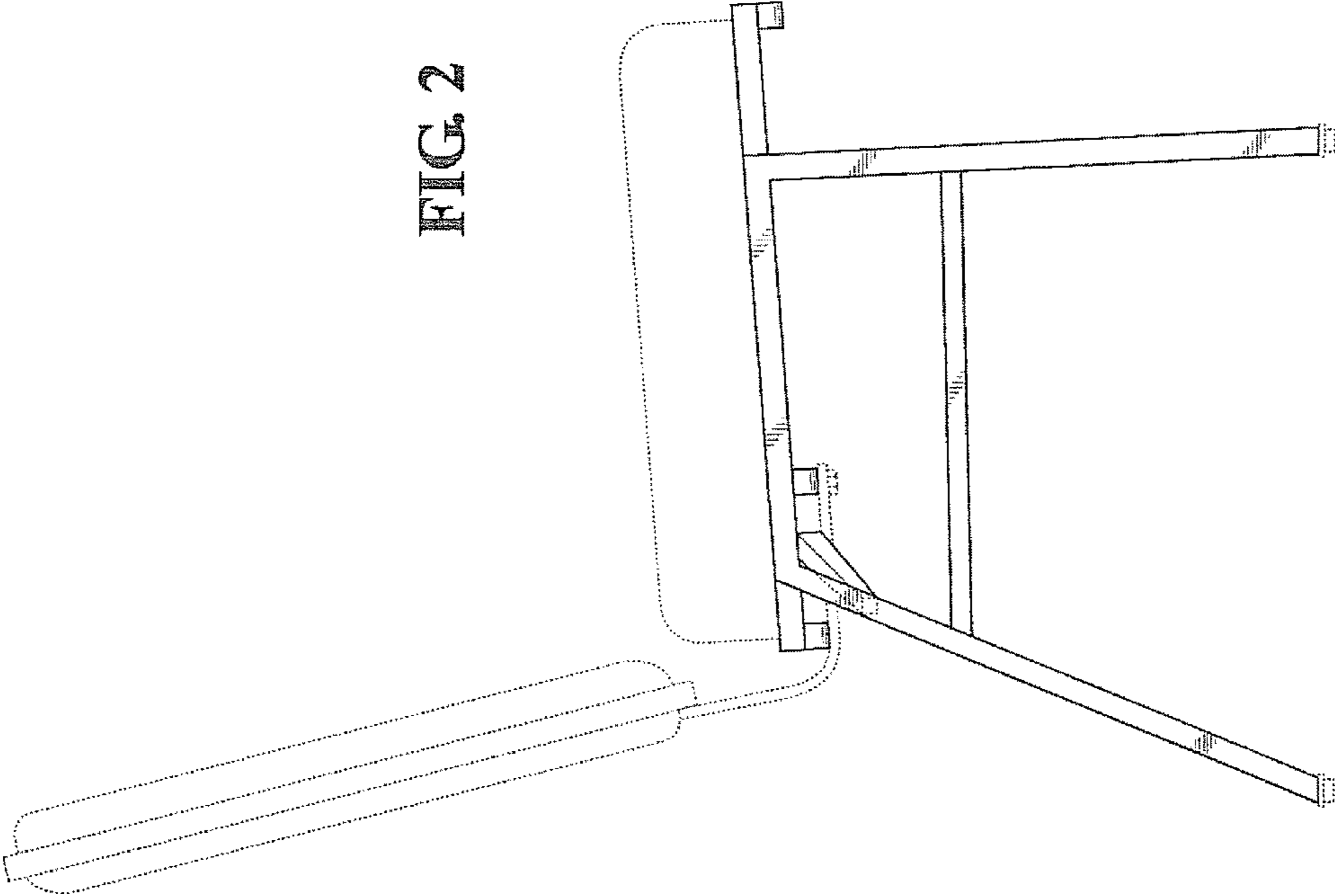
SKS, Tajam Banquet Chair (believed to have been offered for sale, publicly used, and/or published prior to the filing date of this application).

Global Allies, Richmond Stacking Chair (believed to have been offered for sale, publicly used, and/or published prior to the filing date of this application).

Global Allies, Oz Stacking Chair with Tapered Legs, 2008 (believed to have been offered for sale, publicly used, and/or published prior to the filing date of this application).

Printout from SKS Australia website: www.sksaustralia.com.au/chairs.html, dated Jul. 13, 2010 (believed to have been offered for sale, publicly used, and/or published prior to the filing date of this application).

* cited by examiner



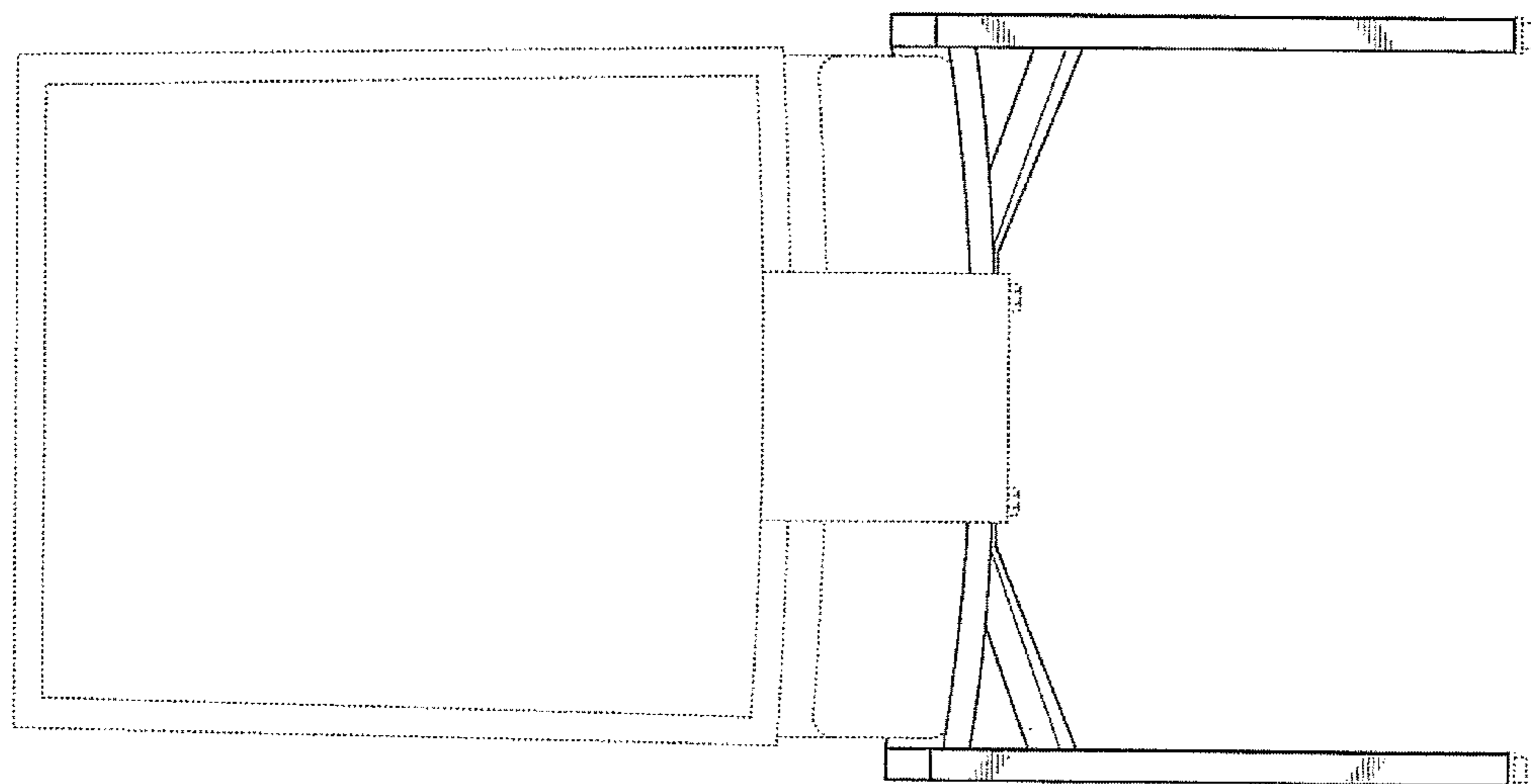


FIG. 3

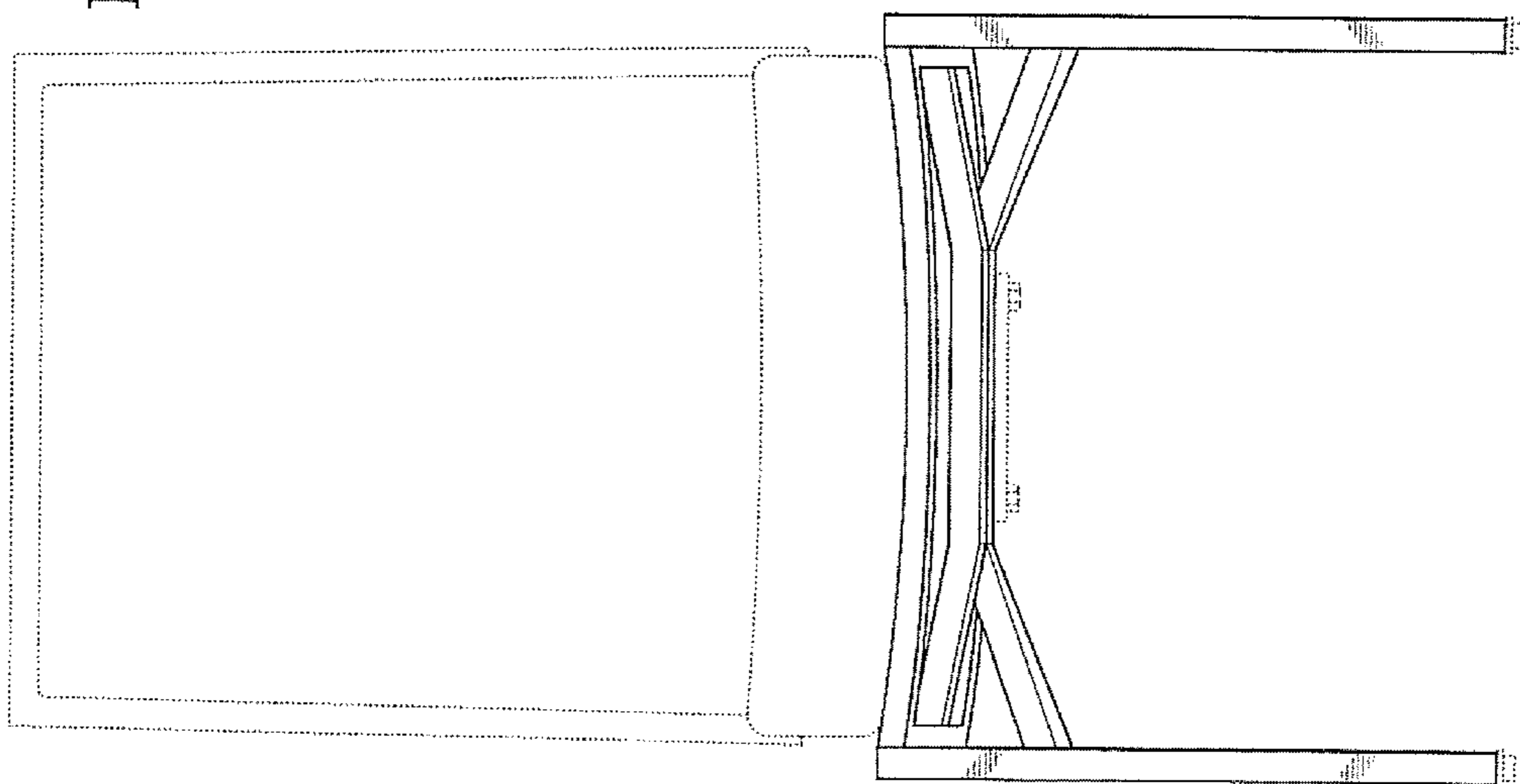


FIG. 4

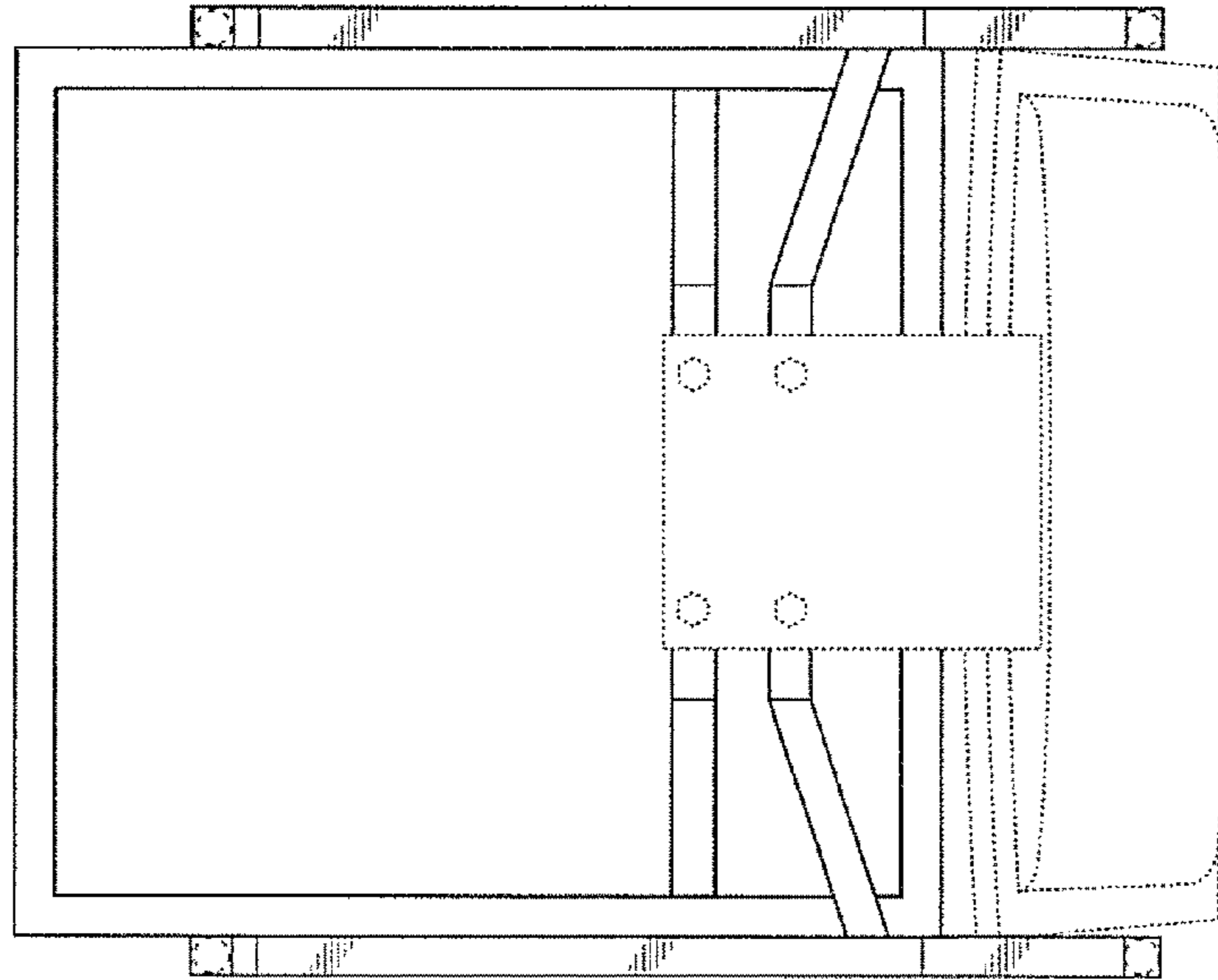


FIG. 6

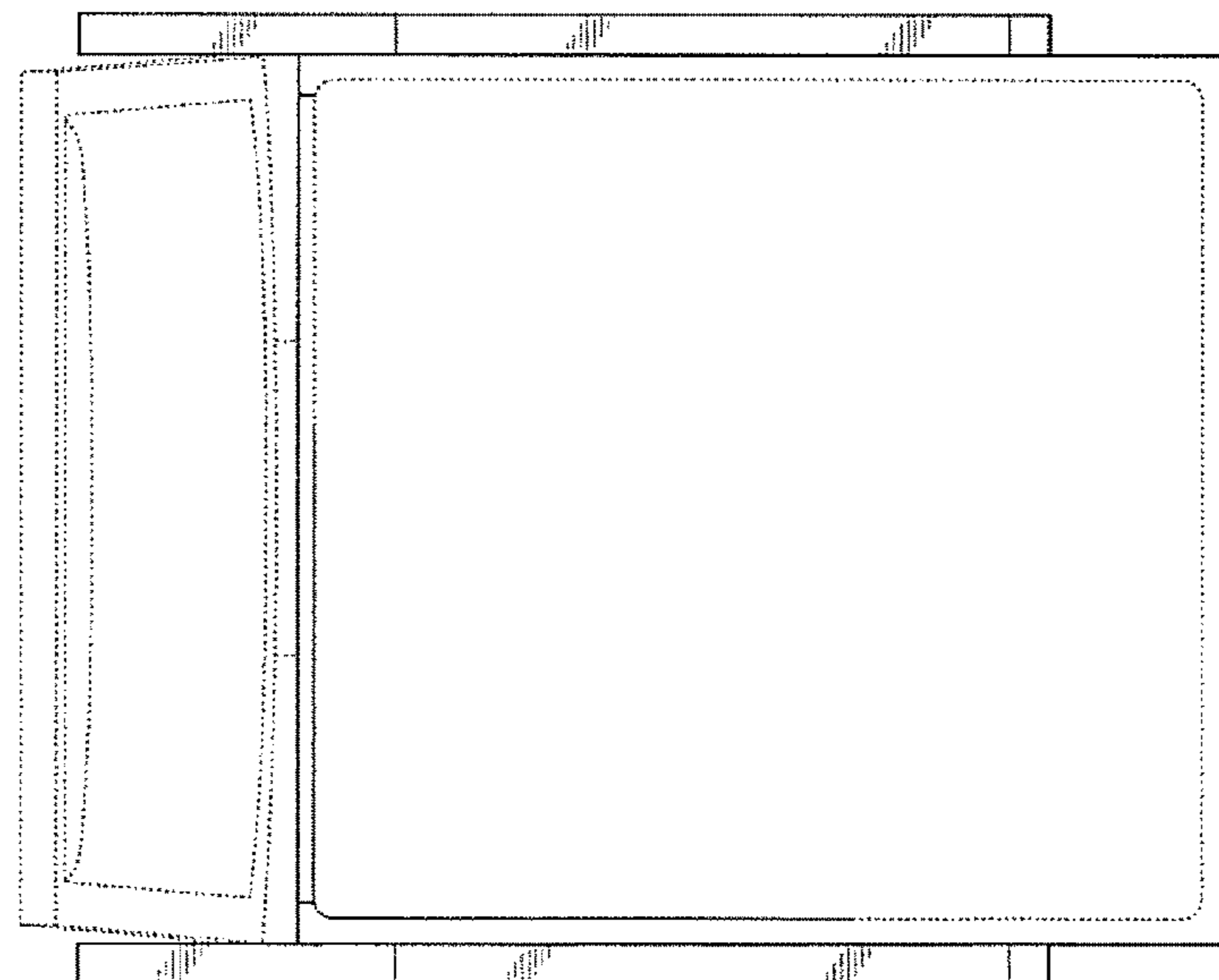


FIG. 5

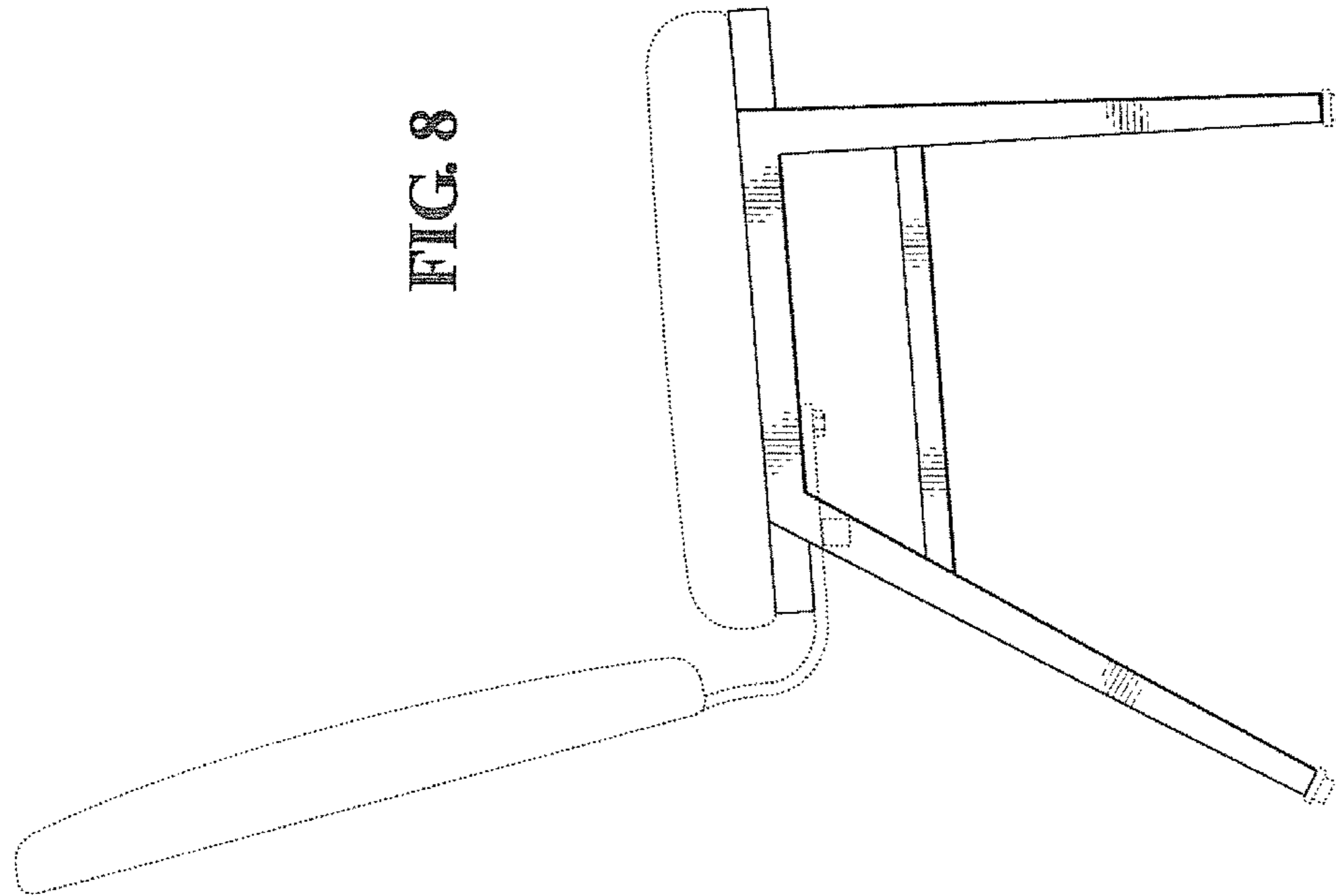


FIG. 8

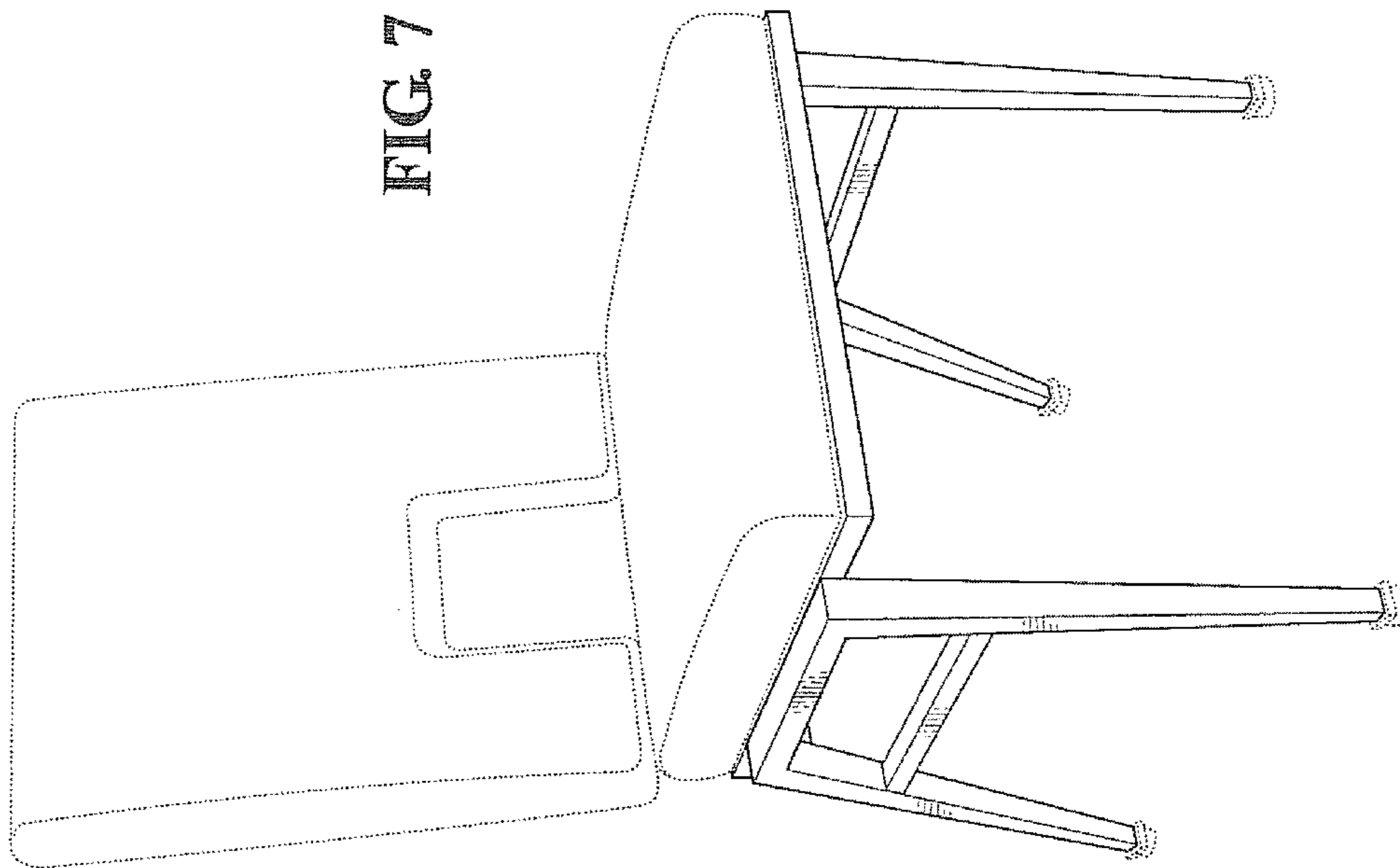


FIG. 7

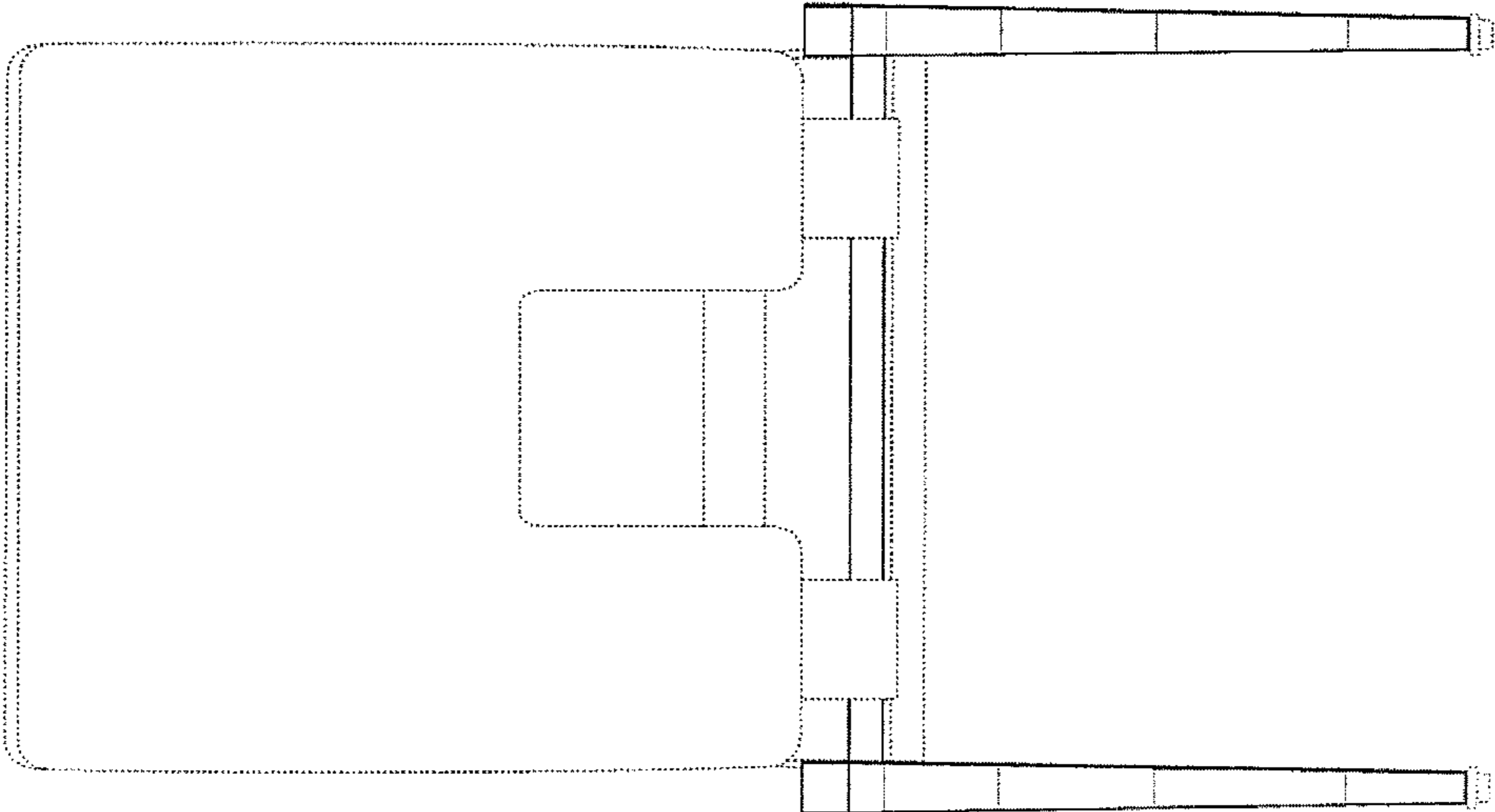


FIG. 9

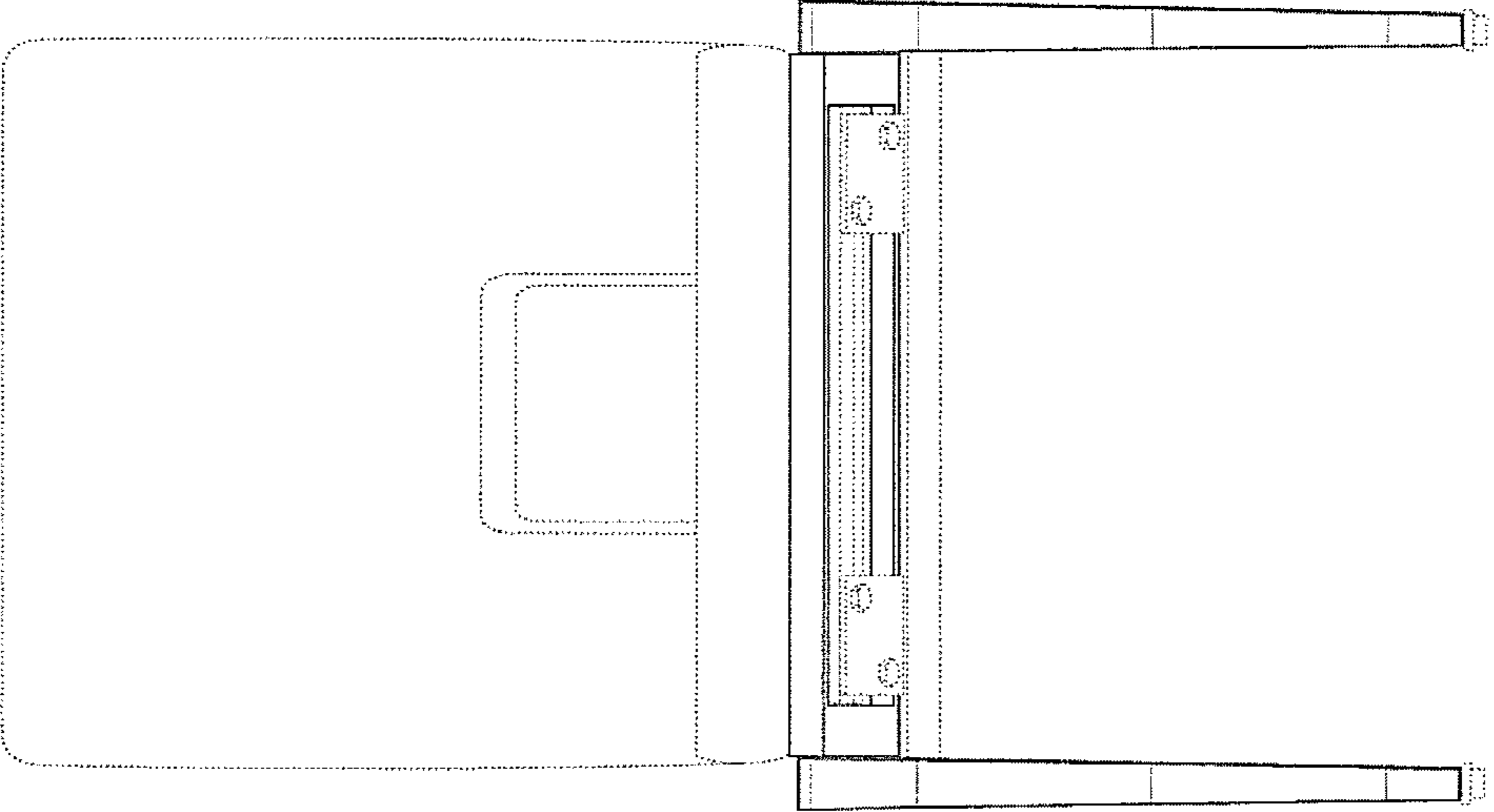


FIG. 10

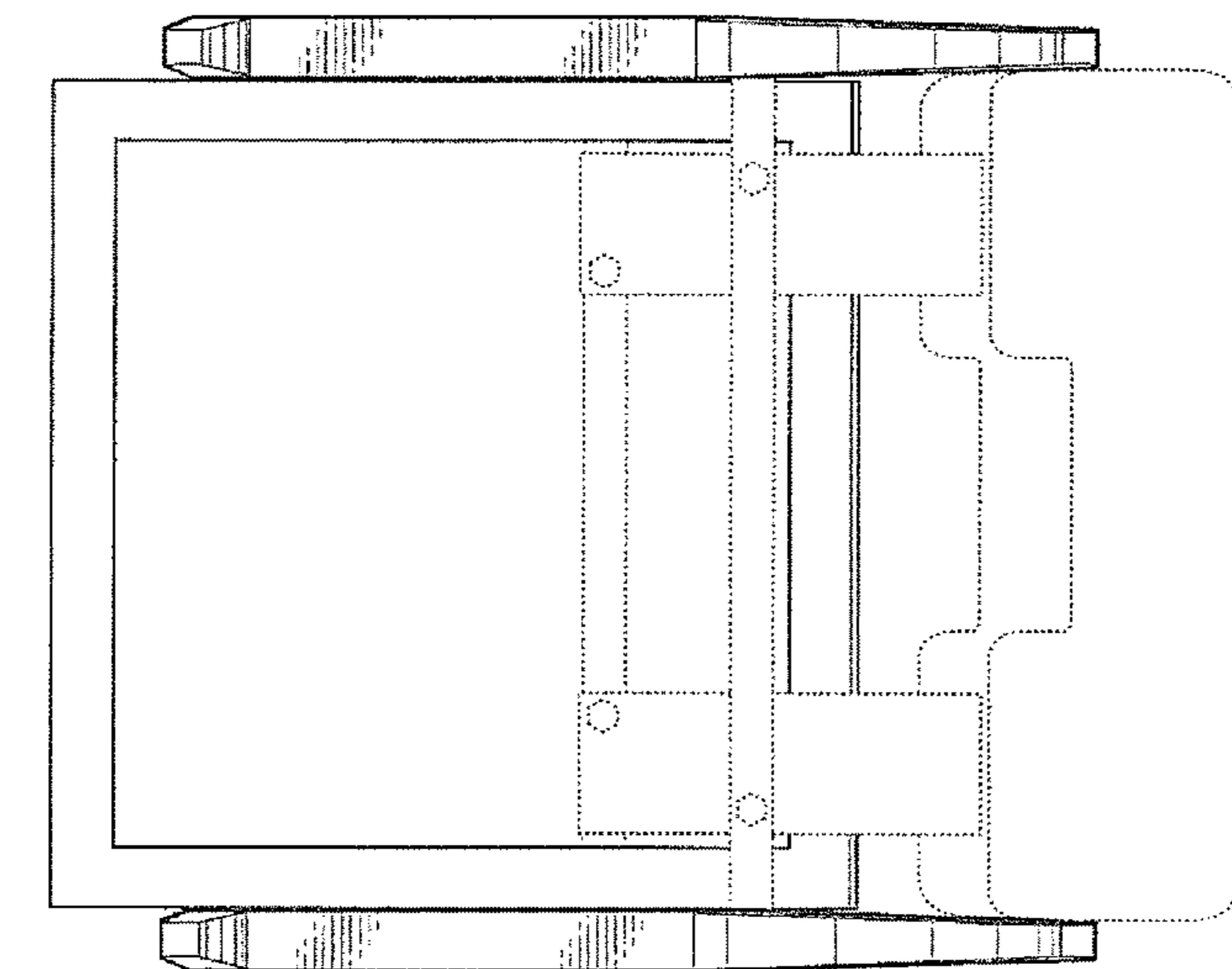


FIG. 11

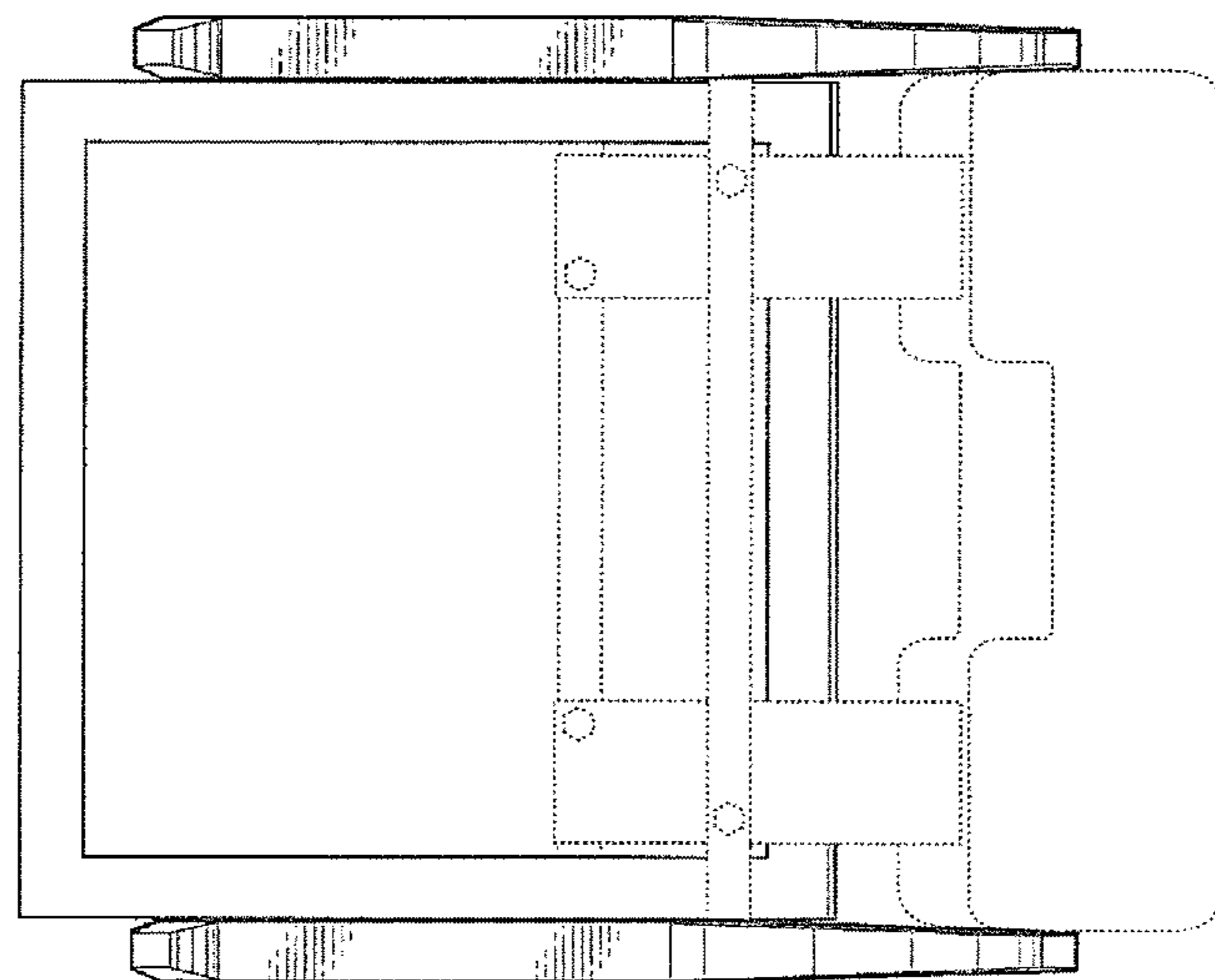


FIG. 12