



US00D650195S

(12) **United States Design Patent**
Webb

(10) **Patent No.:** **US D650,195 S**

(45) **Date of Patent:** **** Dec. 13, 2011**

(54) **CHAIR**

(76) Inventor: **Alan Webb**, York, SC (US)

(**) Term: **14 Years**

(21) Appl. No.: **29/375,272**

(22) Filed: **Sep. 20, 2010**

(51) **LOC (9) Cl.** **06-01**

(52) **U.S. Cl.** **D6/374**

(58) **Field of Classification Search** D6/310,
D6/334-336, 348, 358-381, 500-502; 273/160;
297/31, 271.6, 440.13, 440.15, 411.2, 411.27,
297/411.28, 445.1, 446.1, 452.13

See application file for complete search history.

(56) **References Cited**

U.S. PATENT DOCUMENTS

608,001	A *	7/1898	Manning	273/160
2,385,072	A *	9/1945	Gray	297/31
D144,730	S *	5/1946	Perrault	D6/374
2,490,884	A *	12/1949	Rau	297/440.15
4,635,998	A *	1/1987	Hickey	297/31
4,712,837	A *	12/1987	Swilley	297/440.13

4,976,492	A *	12/1990	Ziegler	297/31
D401,633	S	11/1998	Balough		
5,911,469	A *	6/1999	Young	297/31
6,619,749	B2 *	9/2003	Willy	297/440.13
D493,971	S *	8/2004	Willy	D6/368
D514,340	S *	2/2006	Frey	D6/368
7,219,962	B2 *	5/2007	Stone	297/440.13
2004/0056526	A1 *	3/2004	Willy	297/440.13

* cited by examiner

Primary Examiner — Ricky Pham

(74) *Attorney, Agent, or Firm* — Clifford Kraft

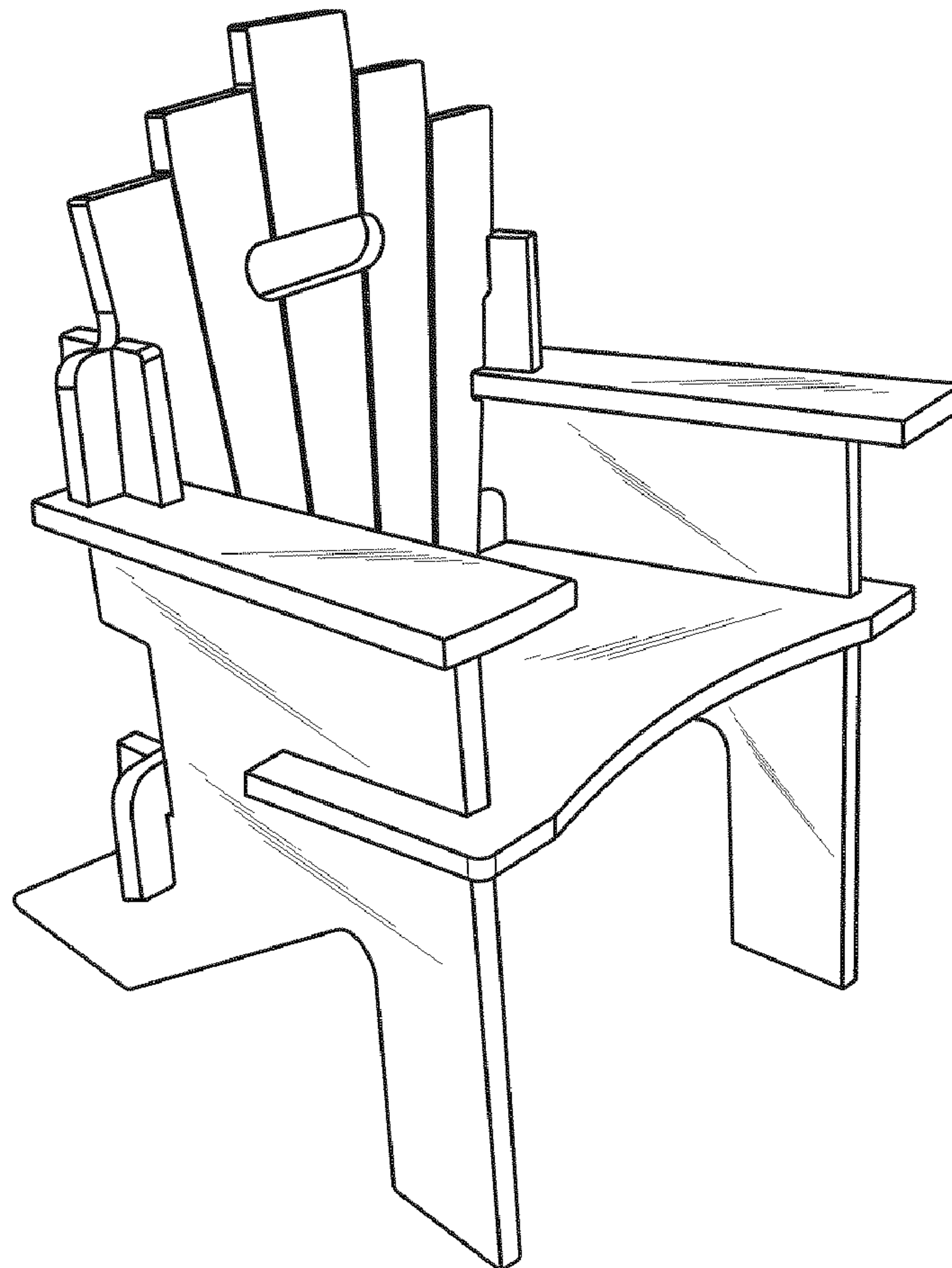
(57) **CLAIM**

The ornamental design for a chair, as shown and described.

DESCRIPTION

- FIG. 1 perspective view of the chair.
 FIG. 2 is a front perspective view thereof.
 FIG. 3 is a side perspective view thereof.
 FIG. 4 is a top perspective view thereof.
 FIG. 5 is a bottom perspective view thereof.
 FIG. 6 is a back perspective view thereof; and,
 FIG. 7 is another side perspective view thereof.

1 Claim, 4 Drawing Sheets



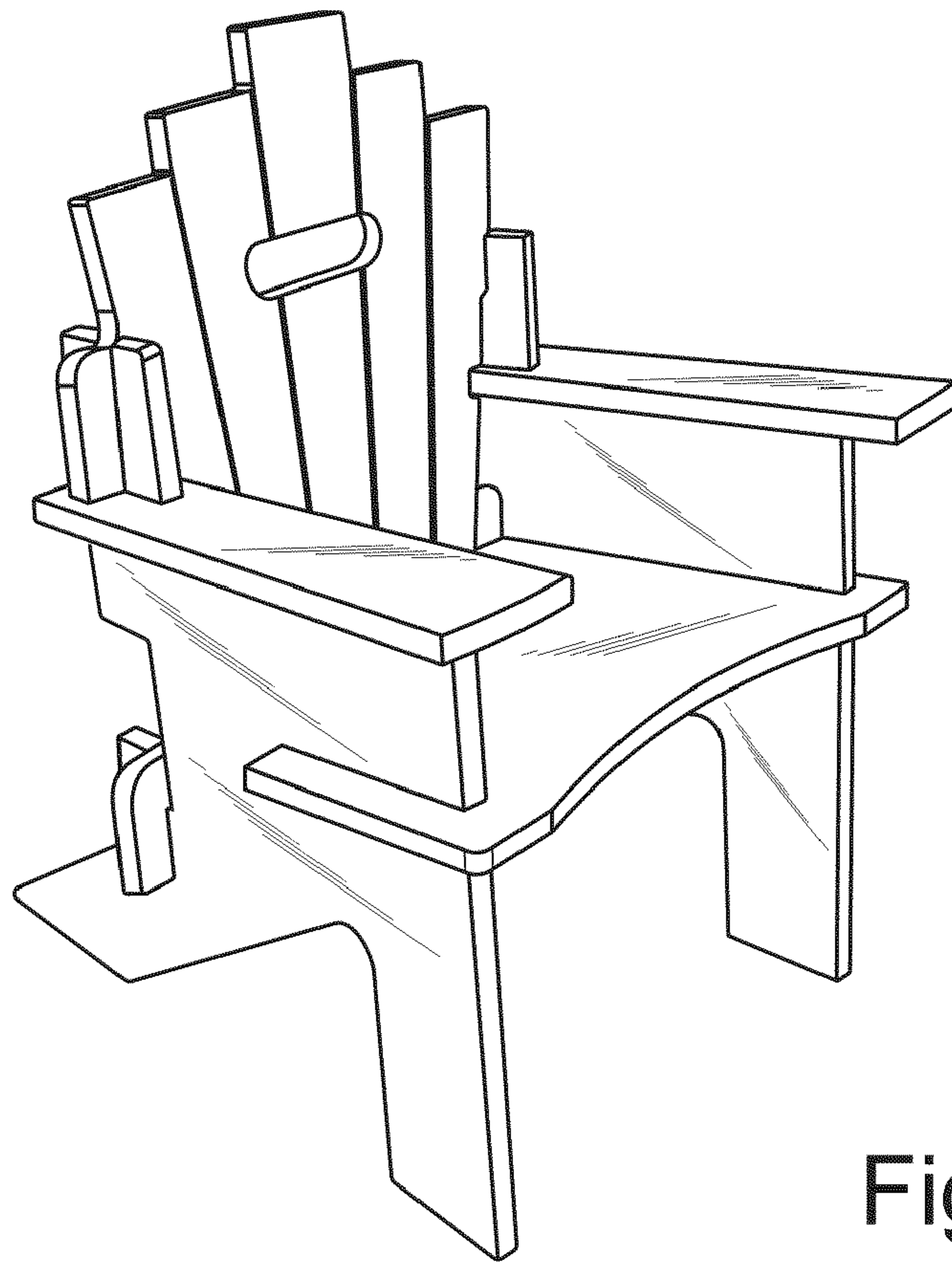


Fig. 1

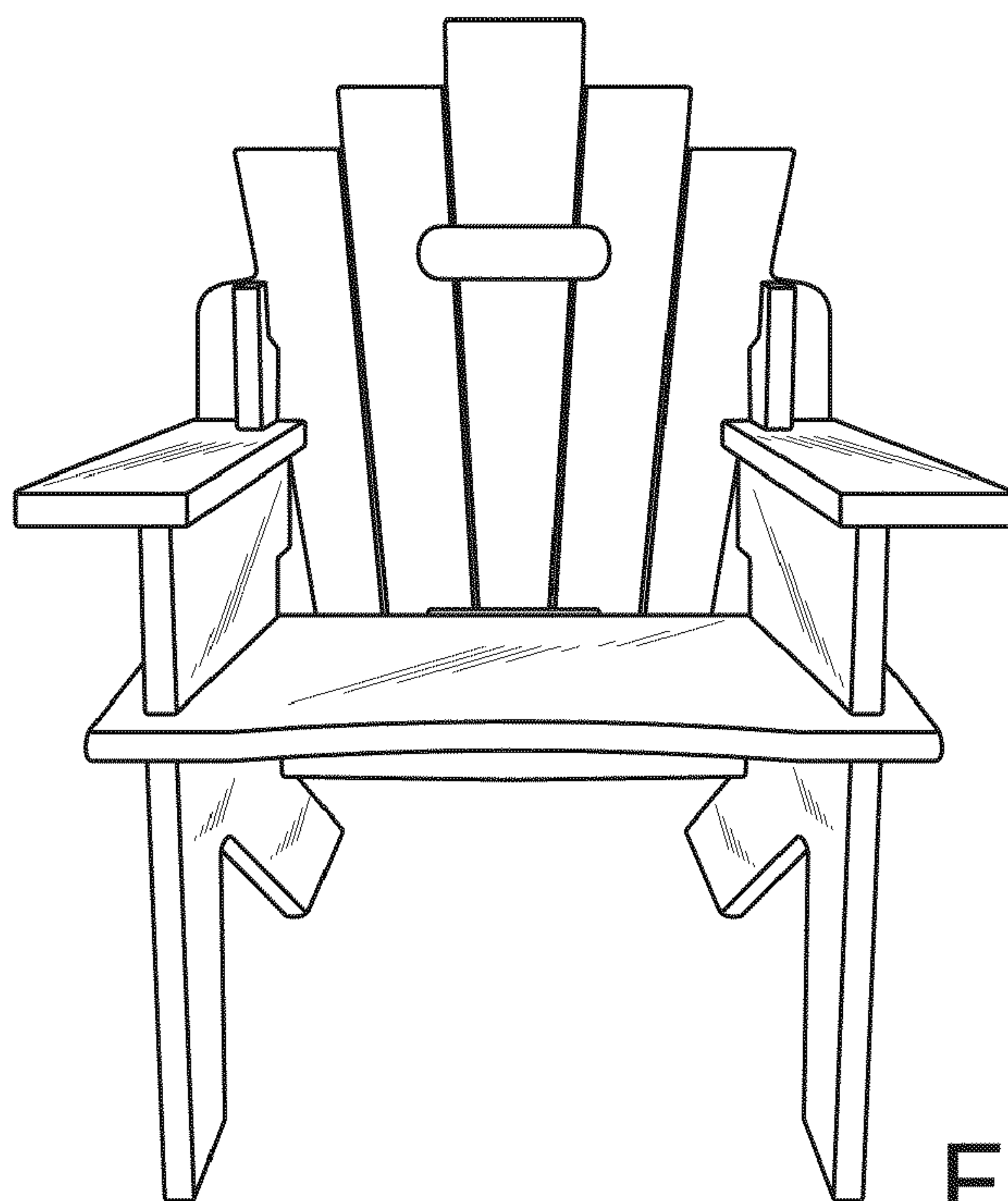


Fig. 2

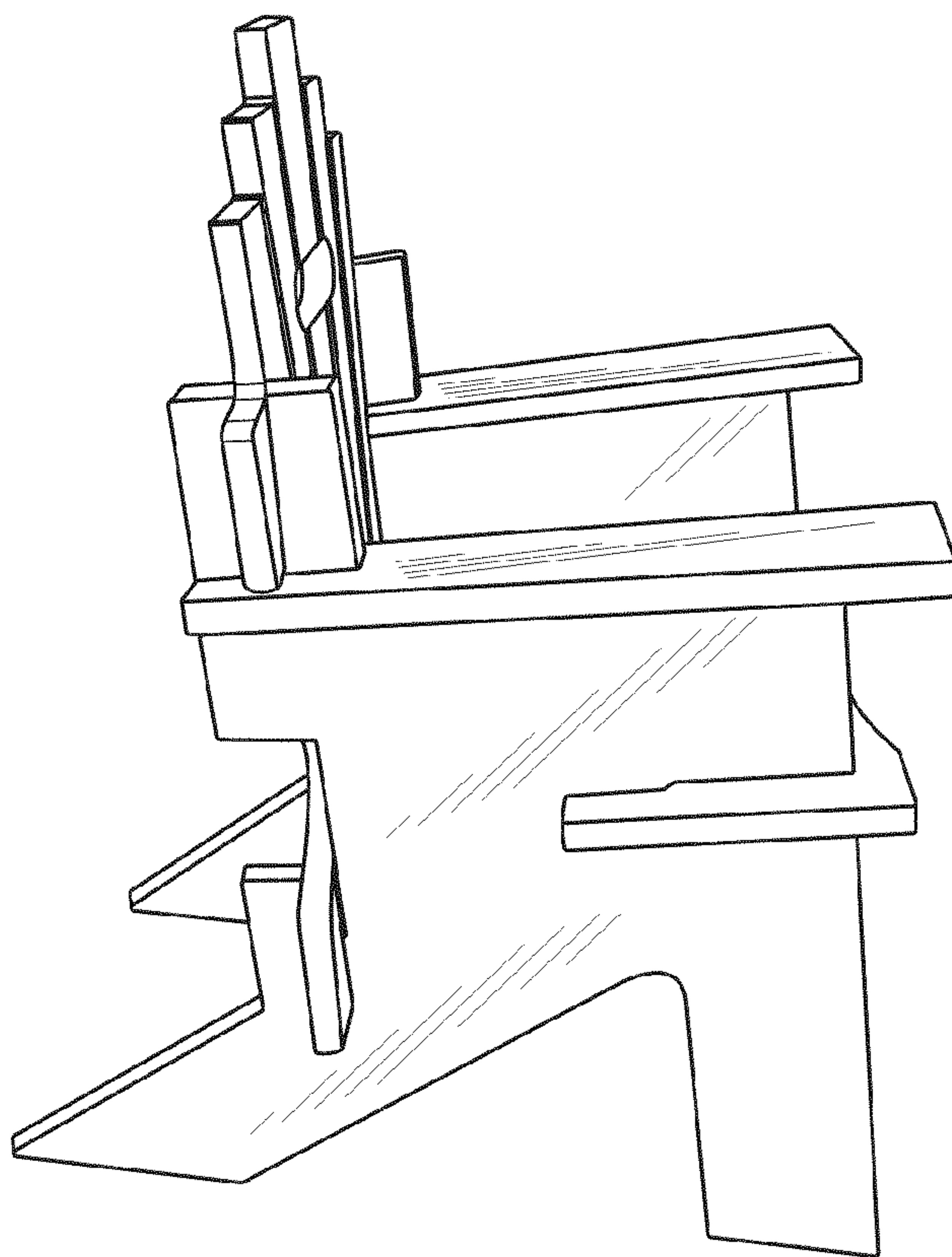


Fig. 3

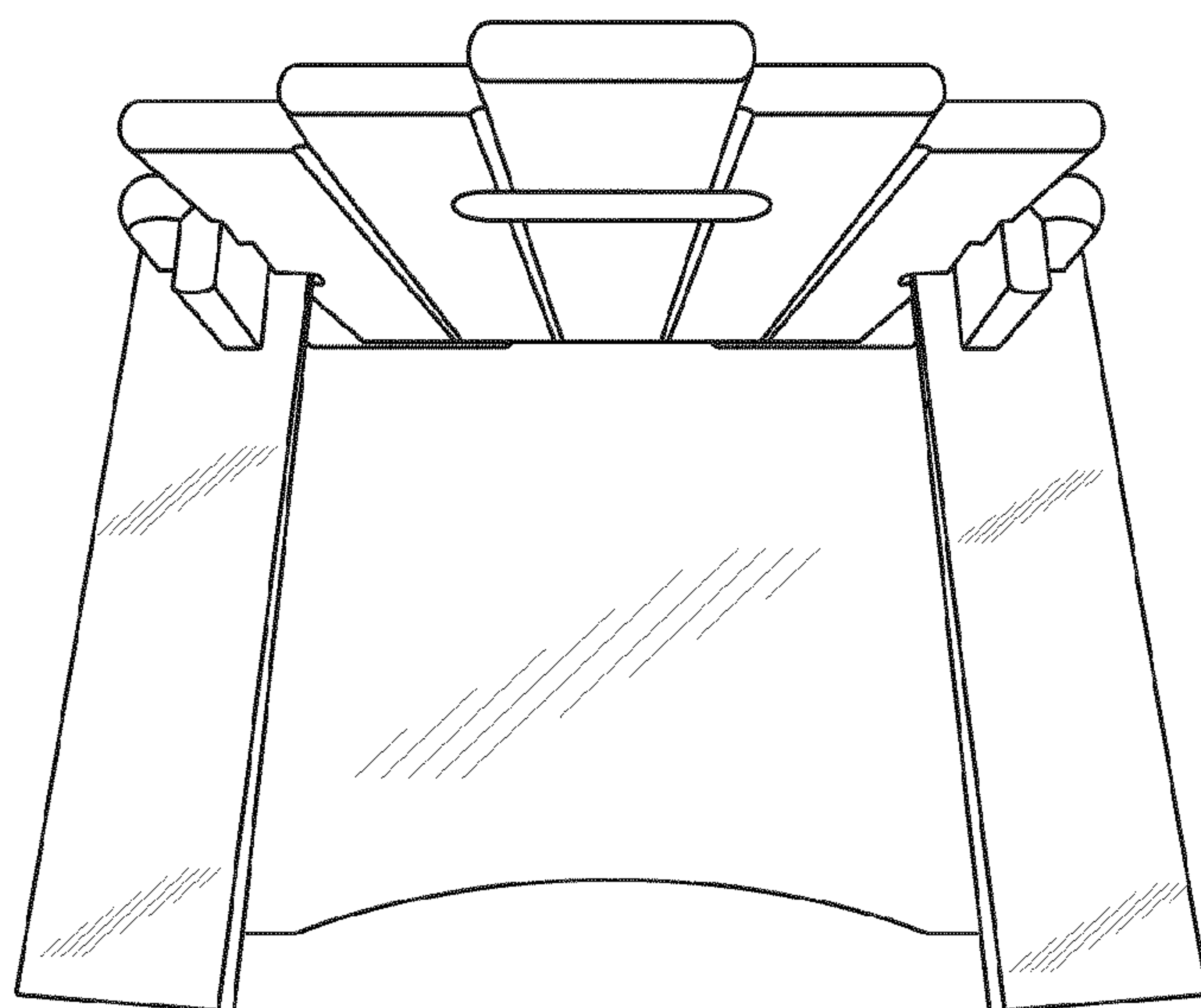


Fig. 4

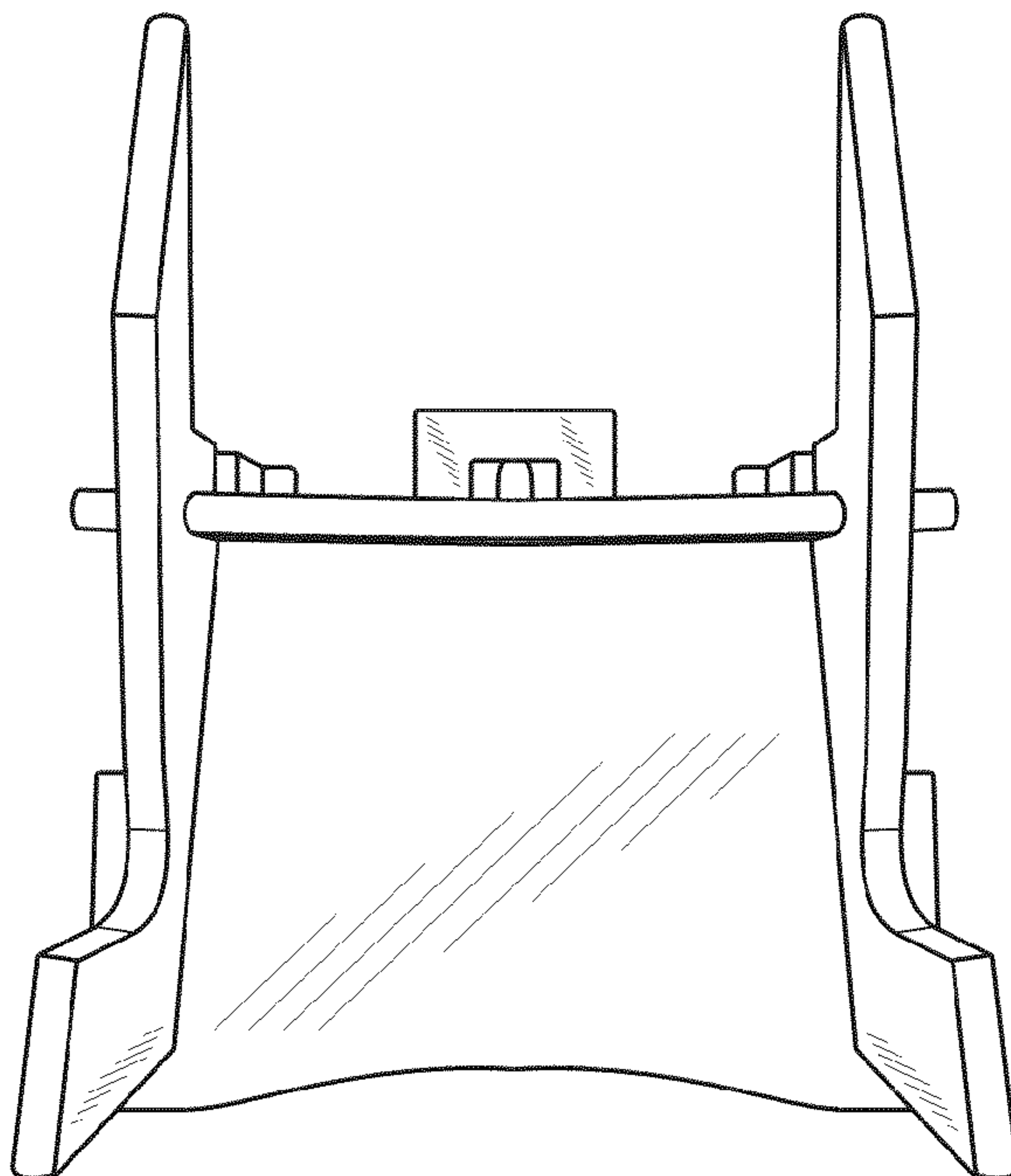


Fig. 5

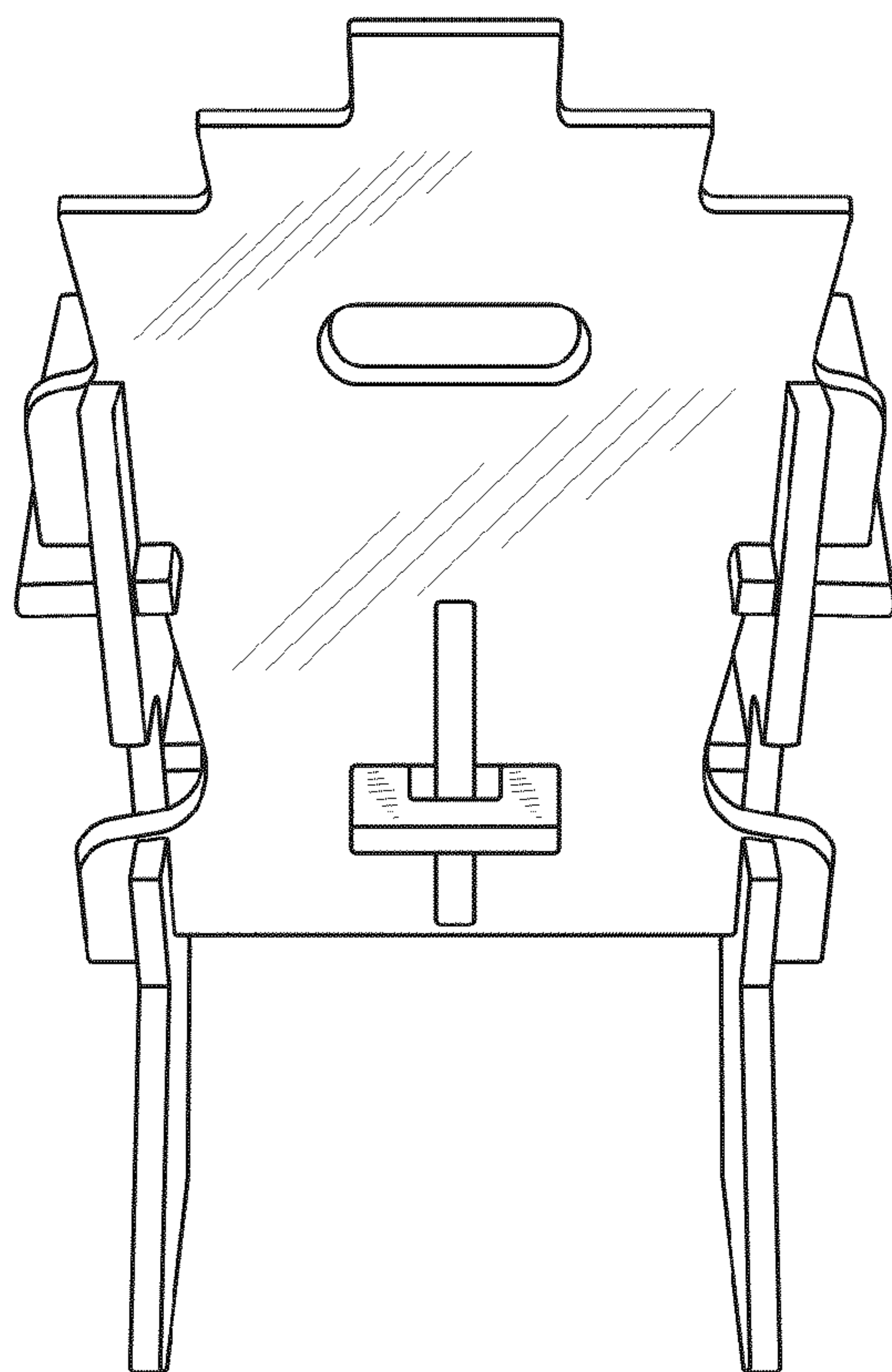


Fig. 6

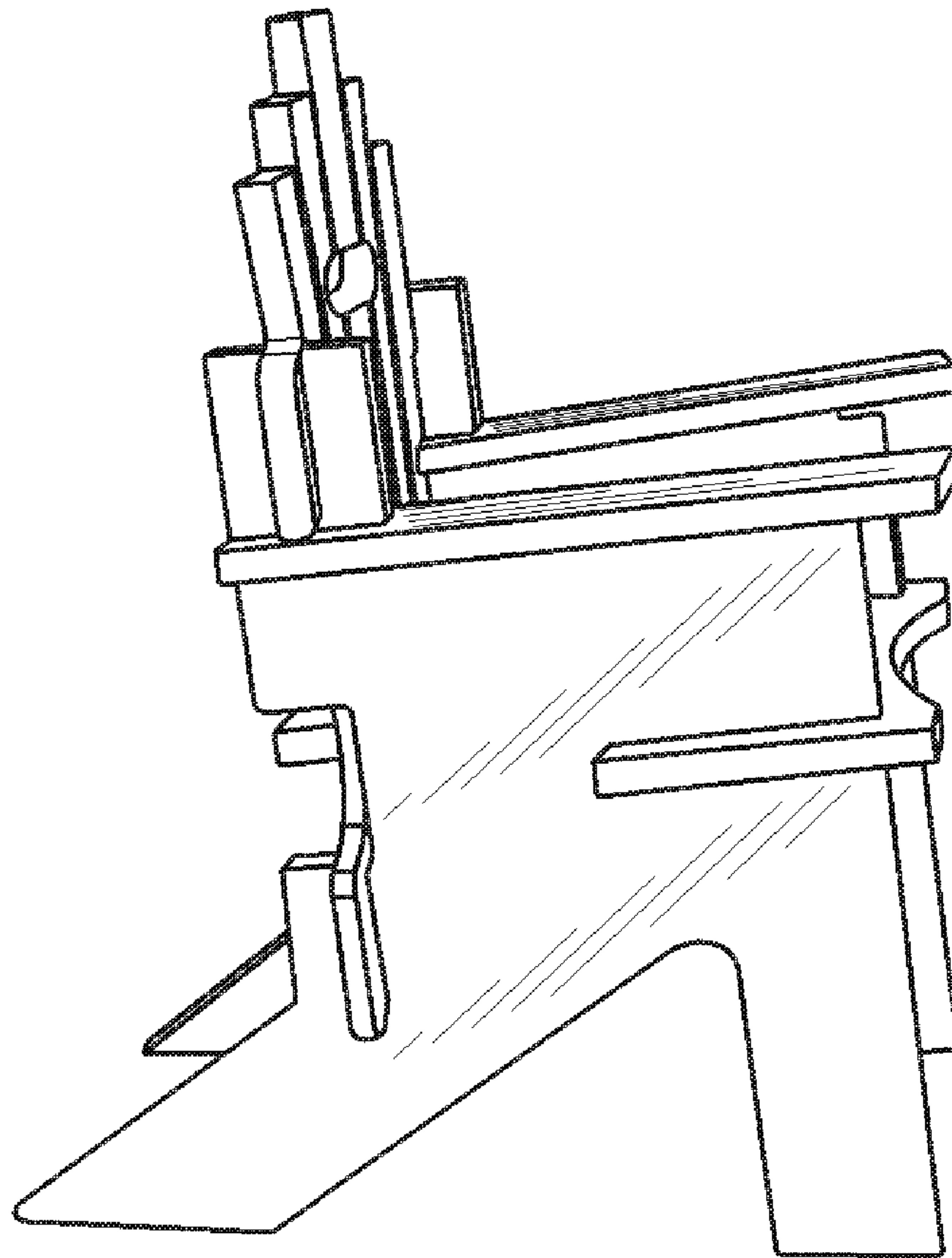


Fig. 7