



US00D650193S

(12) **United States Design Patent**
Millar et al.

(10) **Patent No.:** **US D650,193 S**

(45) **Date of Patent:** **** Dec. 13, 2011**

(54) **DECK CHAIR**

(76) Inventors: **James H. C. Millar**, Fitzwilliam, NH
(US); **James W. Millar**, Fitzwilliam, NH
(US)

(**) Term: **14 Years**

(21) Appl. No.: **29/378,431**

(22) Filed: **Nov. 4, 2010**

(51) **LOC (9) Cl.** **06-01**

(52) **U.S. Cl.** **D6/370**

(58) **Field of Classification Search** D6/310,
D6/334-336, 348, 358-381, 500-502; 280/47.4;
297/18, 31, 54-56, 239, 271.6, 11.2, 411.27,
297/411.28, 440.13, 440.15, 440.19, 445.1,
297/446.1, 452.13; 403/41

See application file for complete search history.

(56) **References Cited**

U.S. PATENT DOCUMENTS

404,589	A *	6/1889	Batt	297/31
1,241,907	A *	10/1917	Bernhard	297/54
3,907,359	A *	9/1975	Joiner	297/18
D240,873	S *	8/1976	Lewis	D6/368
D242,193	S *	11/1976	Jolner	D6/370
4,235,473	A *	11/1980	Aginar	297/440.19

D260,459	S *	9/1981	Lamb	D6/368
D260,705	S *	9/1981	Zamora	D6/370
4,743,068	A *	5/1988	Gomes	297/440.19
D329,149	S *	9/1992	Swope	D6/370
5,501,541	A *	3/1996	Gomes	403/41
5,588,695	A *	12/1996	Gomes	297/56
D439,067	S *	3/2001	Vertongen	D6/370

* cited by examiner

Primary Examiner — Ricky Pham

(74) *Attorney, Agent, or Firm* — Kristina M. Grasso, Esq.
PLLC

(57) **CLAIM**

The ornamental design for a deck chair, as shown and described.

DESCRIPTION

FIG. 1 is a front view of my new, original, and ornamental design for a deck chair;

FIG. 2 is a left side view of the deck chair of FIG. 1;

FIG. 3 is a right side of the deck chair of FIG. 1;

FIG. 4 is a rear view of the deck chair of FIG. 1;

FIG. 5 is a right perspective view of the deck chair of FIG. 1; and,

FIG. 6 is a bottom view of the deck chair of FIG. 1.

1 Claim, 6 Drawing Sheets

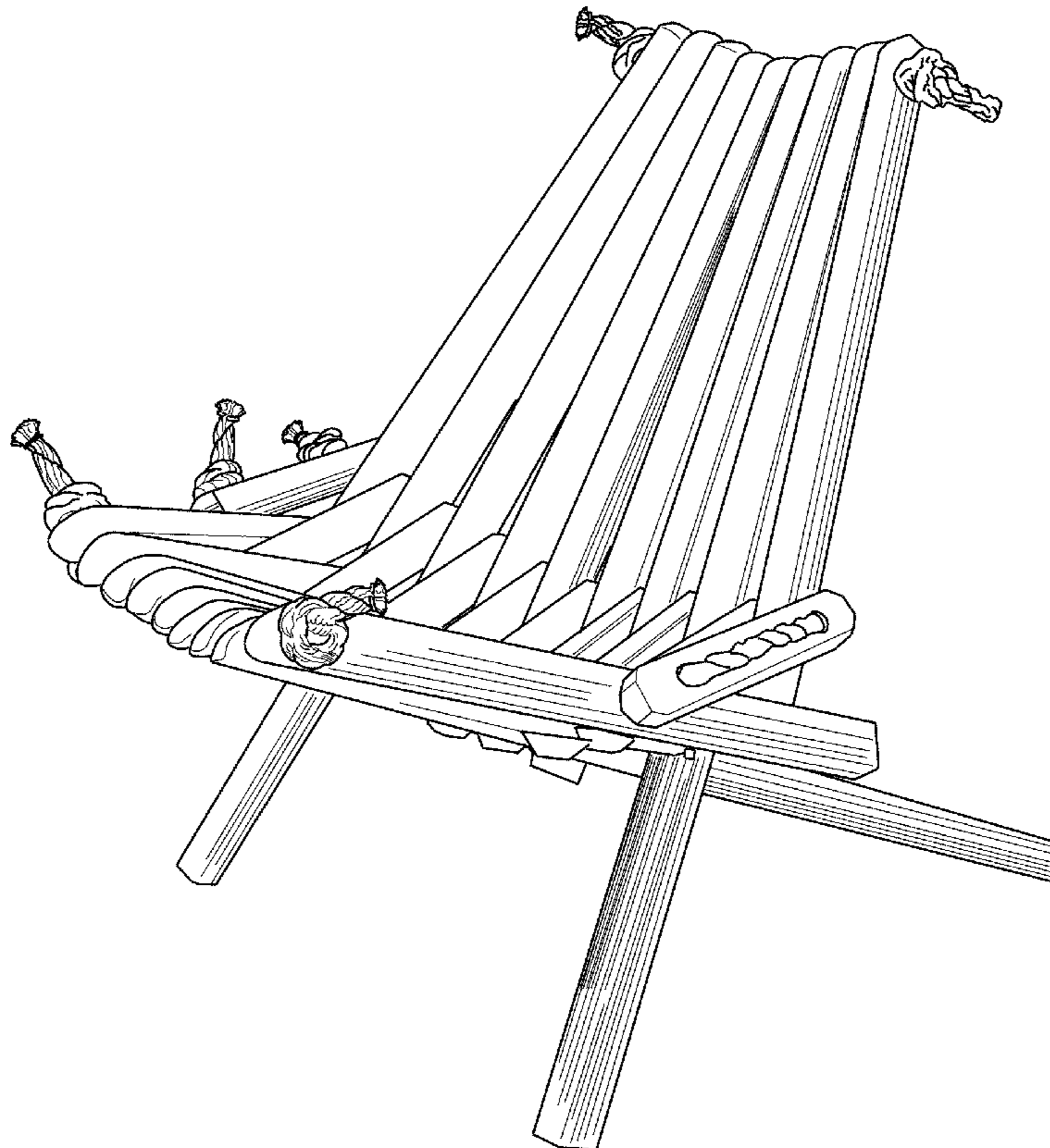


FIG. 1

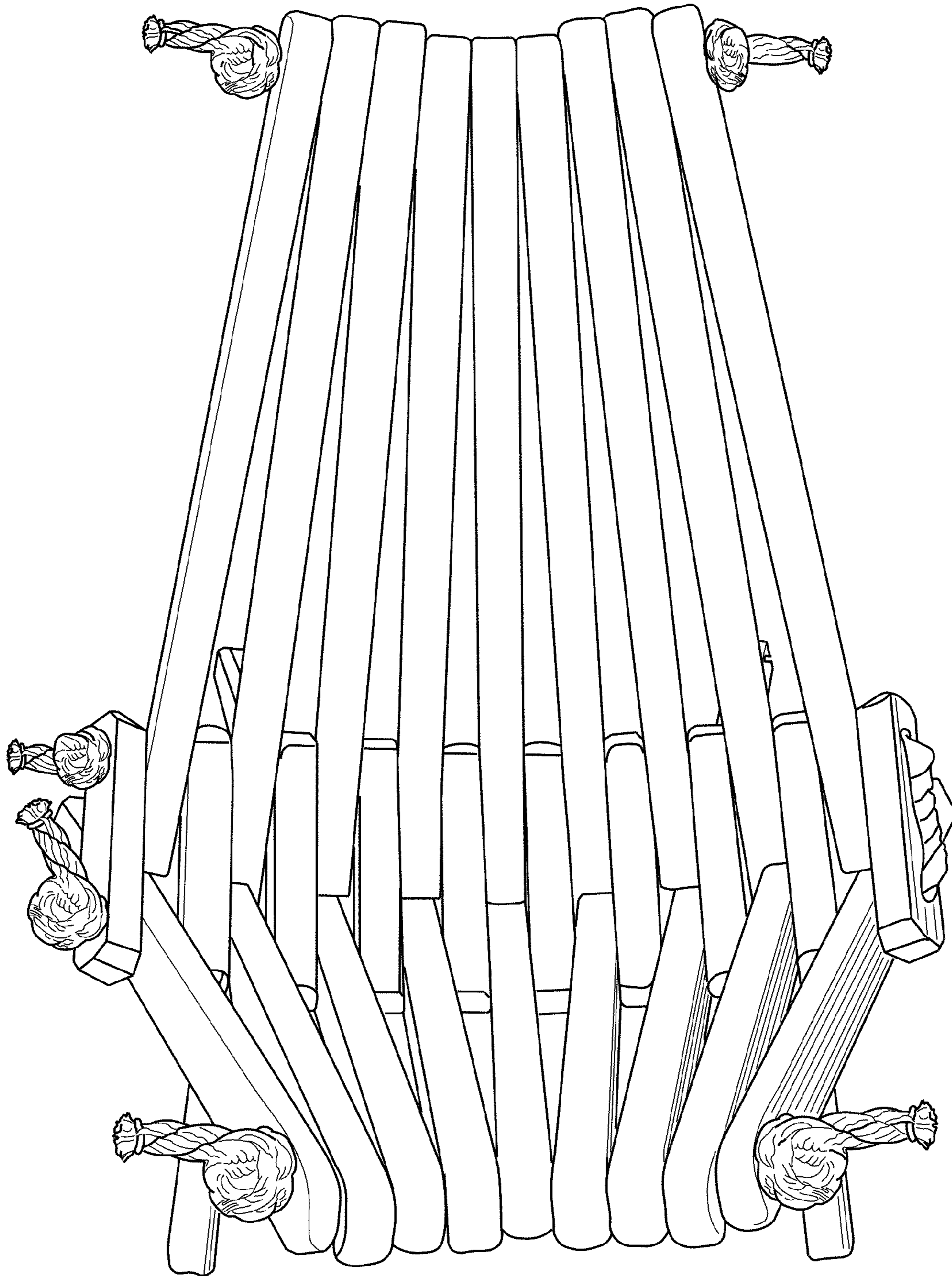


FIG. 2

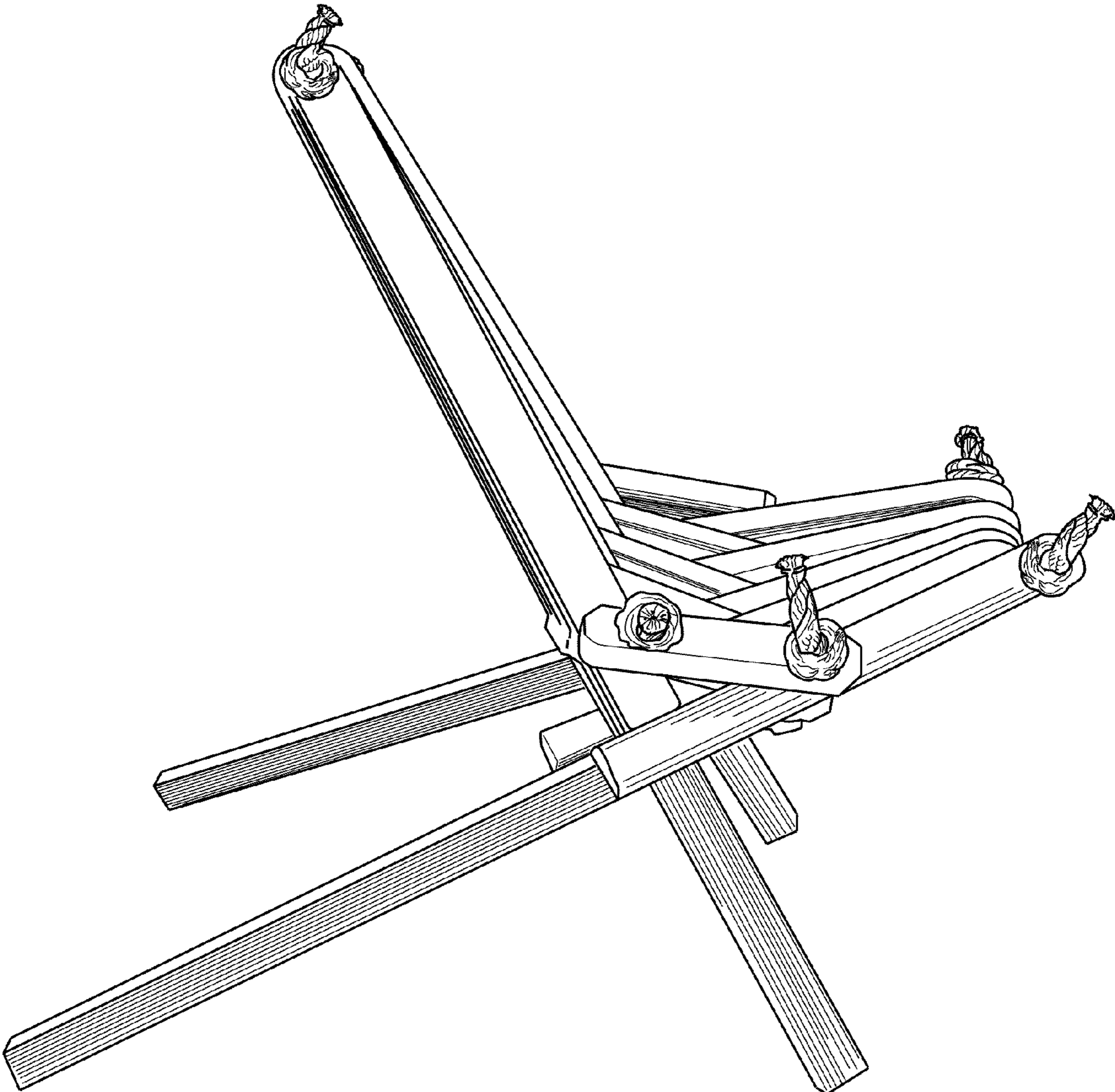


FIG. 3

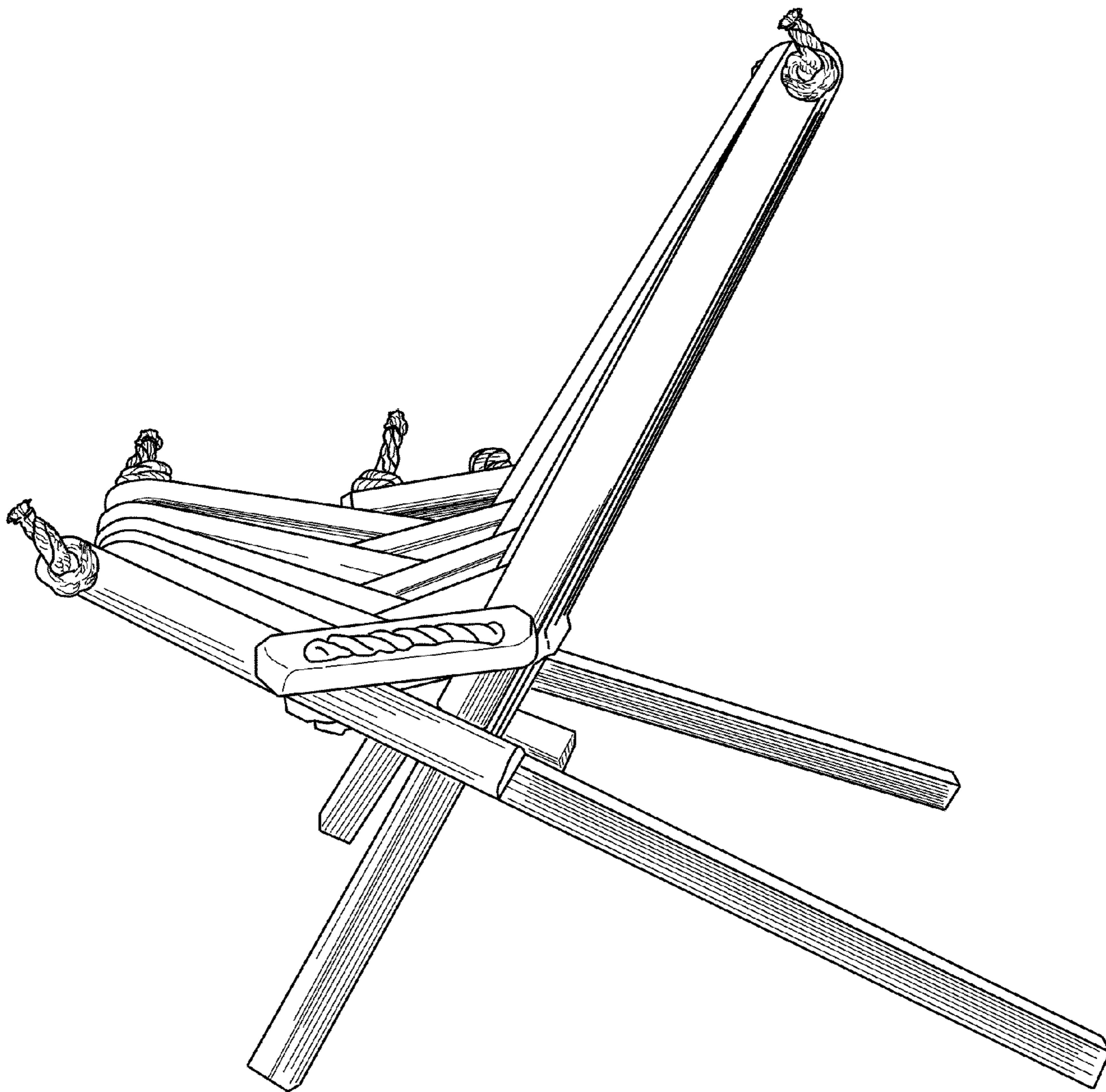


FIG. 4

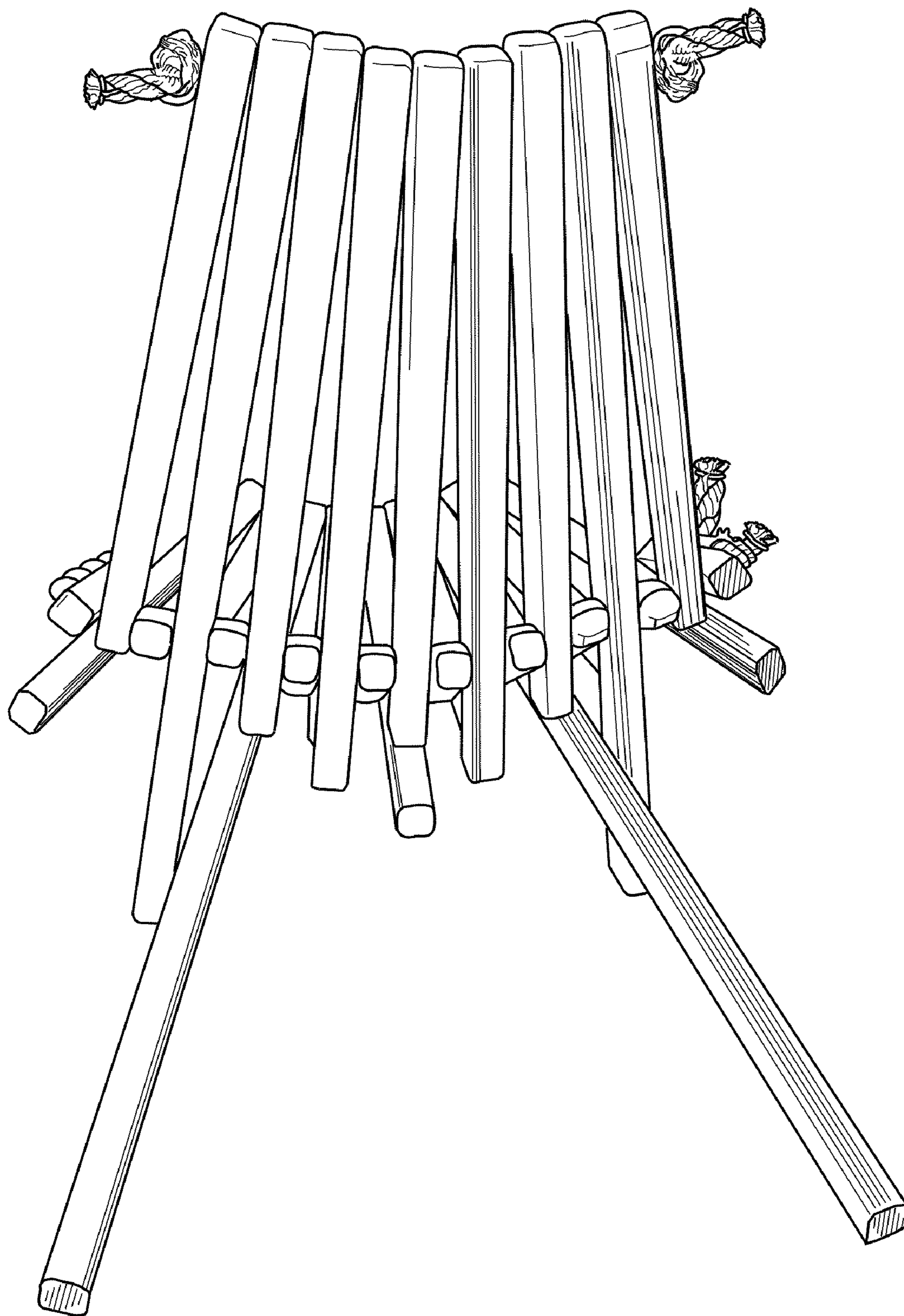


FIG. 5

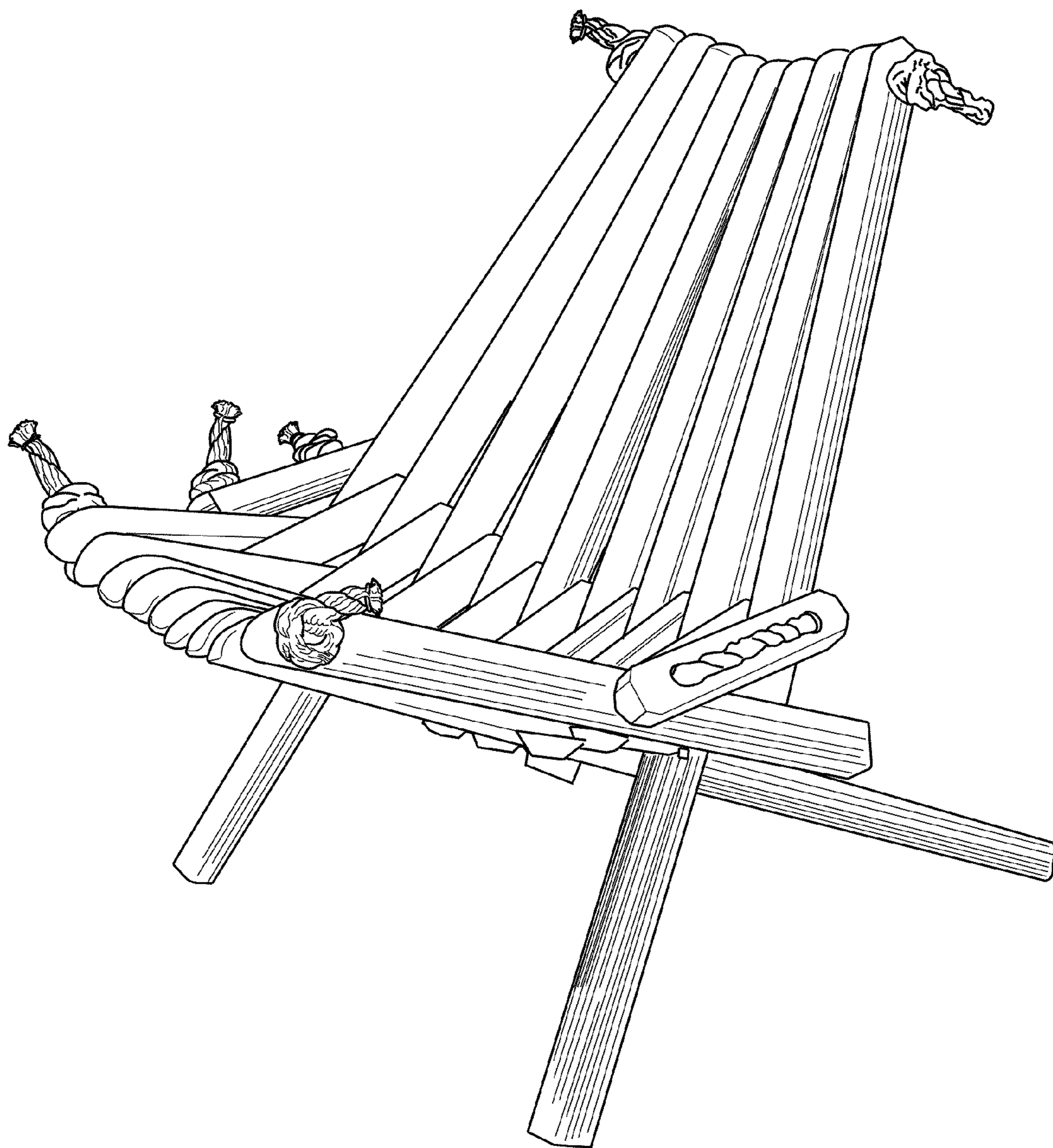


FIG. 6

