



US00D650190S

(12) **United States Design Patent**
Figueras Mitjans

(10) **Patent No.:** **US D650,190 S**

(45) **Date of Patent:** **** Dec. 13, 2011**

(54) **SEATING**

(75) **Inventor:** **José Figueras Mitjans**, Lliçà
D'Amunt-Barcelona (ES)

(73) **Assignee:** **Figueras International Seating, S.A.**,
Llica D'Amunt-Barcelona (ES)

(**) **Term:** **14 Years**

(21) **Appl. No.:** **29/378,516**

(22) **Filed:** **Nov. 5, 2010**

Related U.S. Application Data

(62) Division of application No. 29/355,358, filed on Feb. 5, 2010.

(30) **Foreign Application Priority Data**

Aug. 5, 2009	(ES)	001598160-0001
Aug. 5, 2009	(ES)	001598160-0002
Aug. 5, 2009	(ES)	001598160-0003
Aug. 5, 2009	(ES)	001598160-0004
Aug. 5, 2009	(ES)	001598160-0005
Aug. 5, 2009	(ES)	001598160-0006
Aug. 5, 2009	(ES)	001598160-0007
Aug. 5, 2009	(ES)	001598160-0008

(51) **LOC (9) Cl.** **06-01**

(52) **U.S. Cl.** **D6/362**

(58) **Field of Classification Search** D6/362,
D6/364, 335-336, 365, 367-368, 371-374,
D6/381, 500-502; 297/232, 248, 311, 324,
297/326, 332, 335, 411.45, 451.5, 120, 452.11
See application file for complete search history.

(56) **References Cited**

U.S. PATENT DOCUMENTS

3,729,226	A *	4/1973	Barecki	297/232
3,990,741	A *	11/1976	Snyder et al.	297/248
D347,330	S *	5/1994	Kinsman	D6/334
D383,627	S *	9/1997	Kane	D6/500
5,678,889	A *	10/1997	Purcell, Jr.	297/257
D439,428	S *	3/2001	Mizuno	D6/368
D495,511	S *	9/2004	Dingess et al.	D6/368
D509,372	S *	9/2005	King	D6/368
D521,756	S *	5/2006	Moffa et al.	D6/368
D543,385	S *	5/2007	Loew et al.	D6/500
D575,073	S *	8/2008	Mitjans	D6/381
D586,134	S *	2/2009	Wolf et al.	D6/356
D601,828	S *	10/2009	Wold	D6/500
D605,864	S *	12/2009	Stewart et al.	D6/364
D611,265	S *	3/2010	Ko	D6/368
7,717,519	B2 *	5/2010	Kismarton et al.	297/452.18

* cited by examiner

Primary Examiner — Caron D Veynar

Assistant Examiner — Kelley Donnelly

(74) *Attorney, Agent, or Firm* — Lucas & Mercanti, LLP

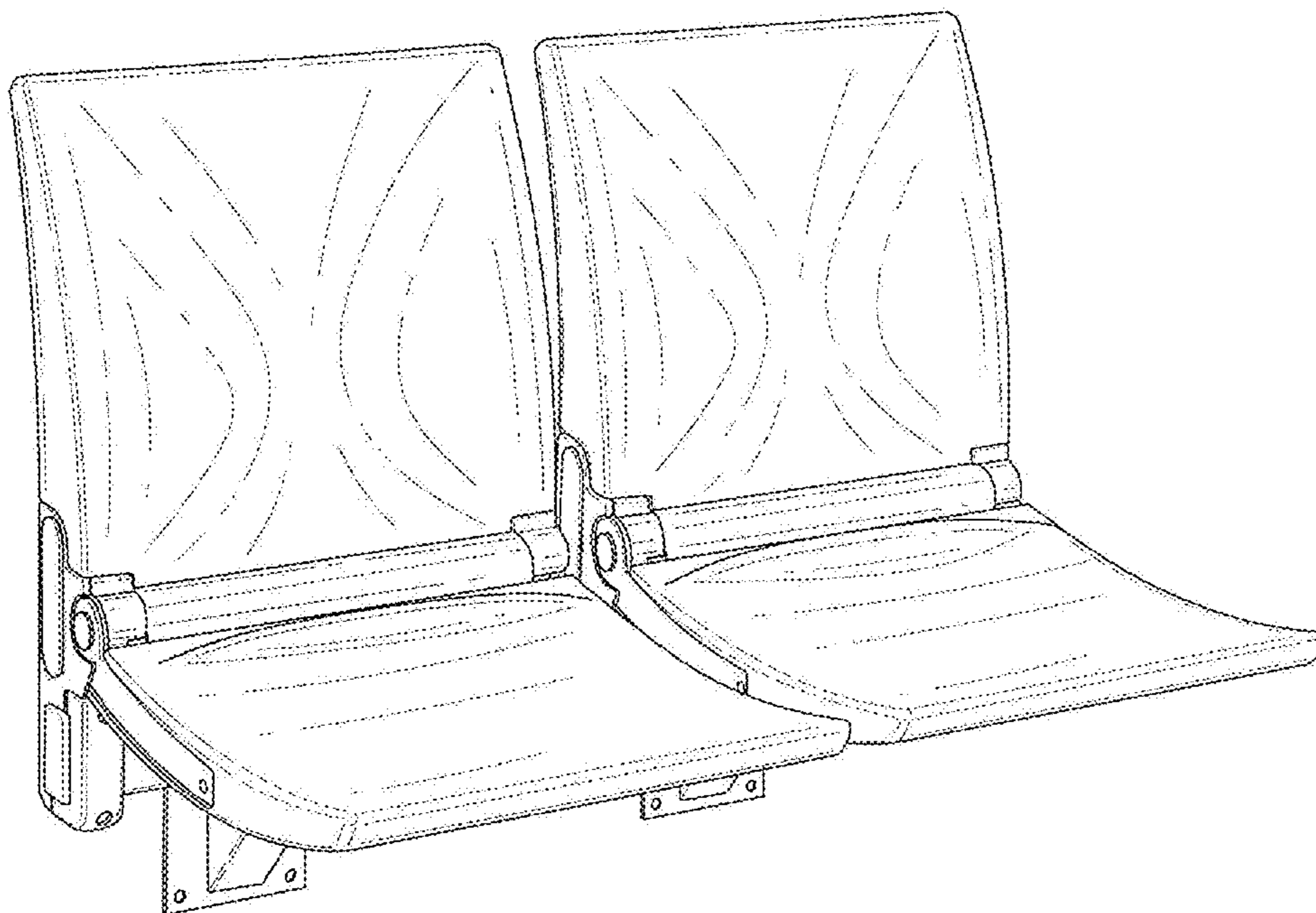
(57) **CLAIM**

The ornamental design for a seating, as shown and described.

DESCRIPTION

FIG. 1 is a front perspective view of the seating showing my new design;
FIG. 2 is a perspective view of the seating in a folded position;
FIG. 3 is a front view of the seating of FIG. 1;
FIG. 4 is a side view thereof, the other side being a mirror image; and,
FIG. 5 is a rear view thereof.

1 Claim, 5 Drawing Sheets



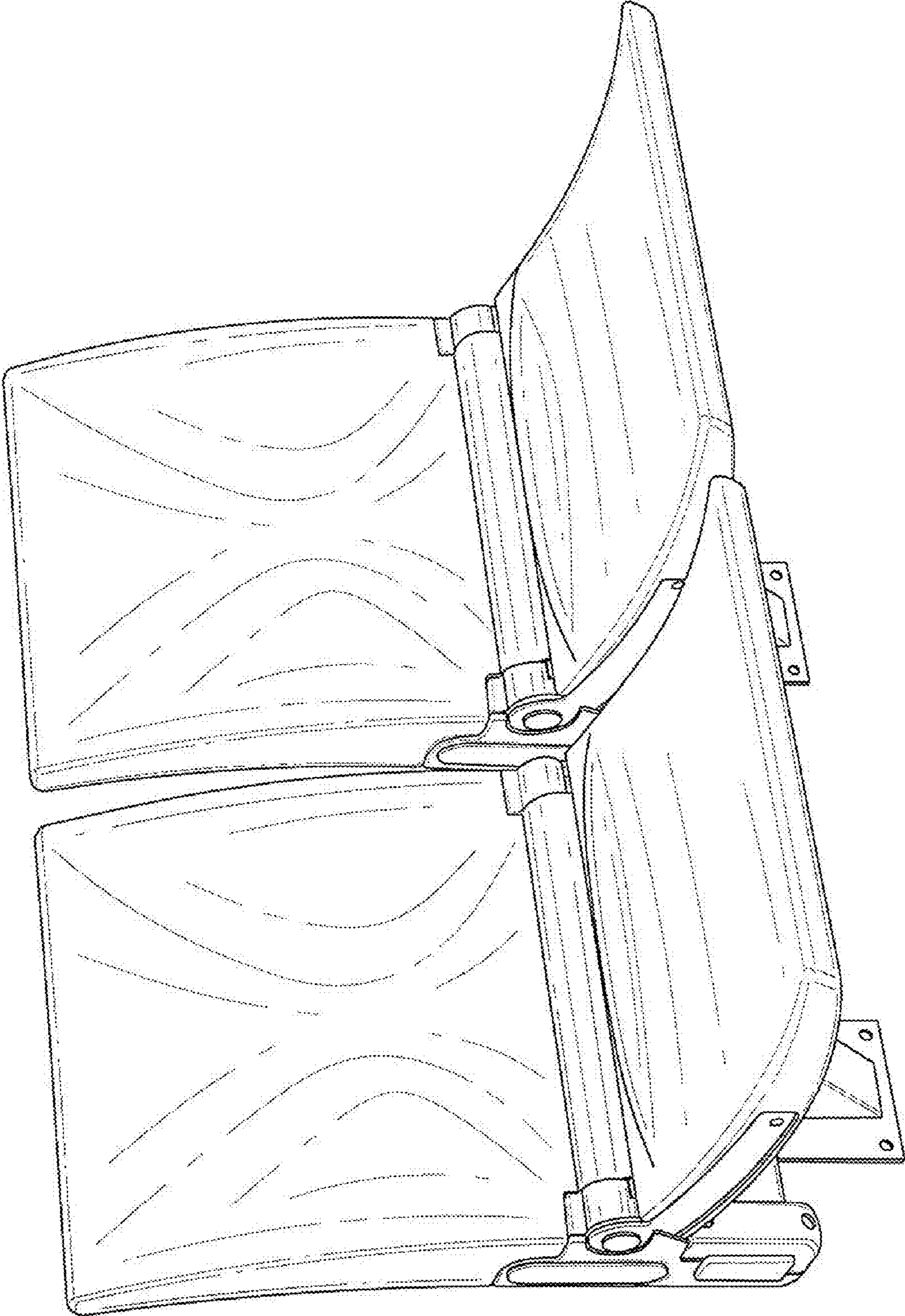


FIG. 1

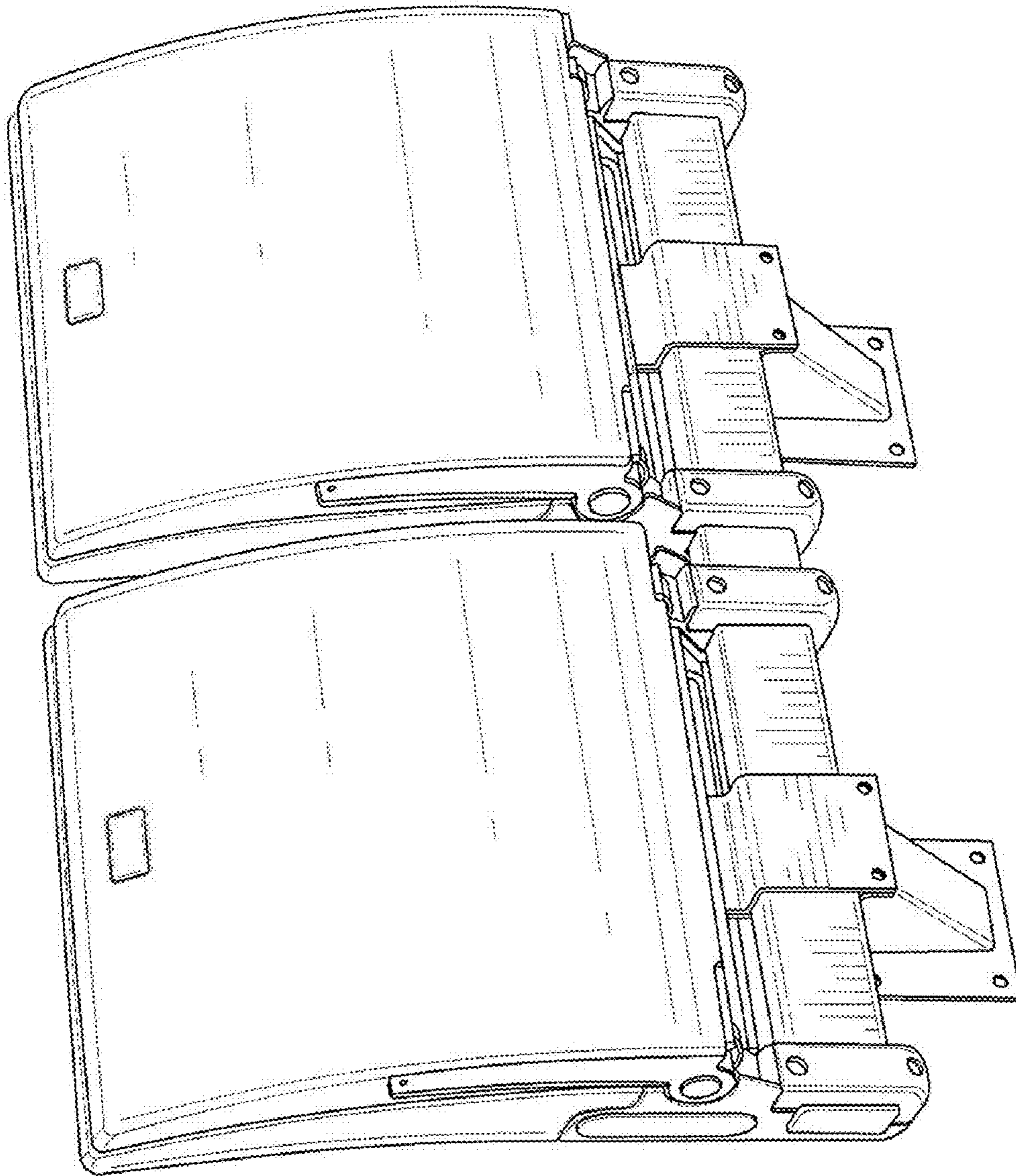


FIG. 2

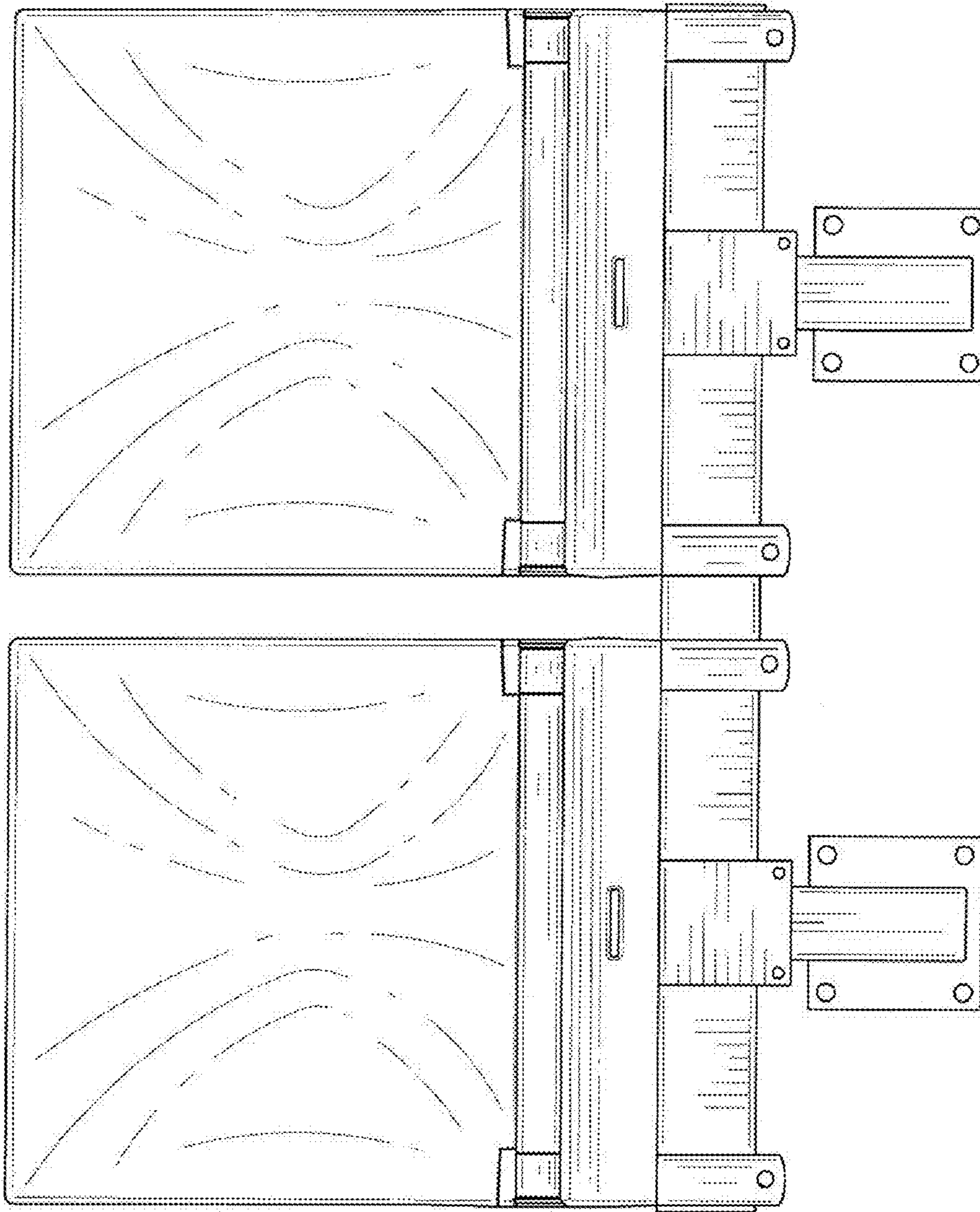


FIG. 3

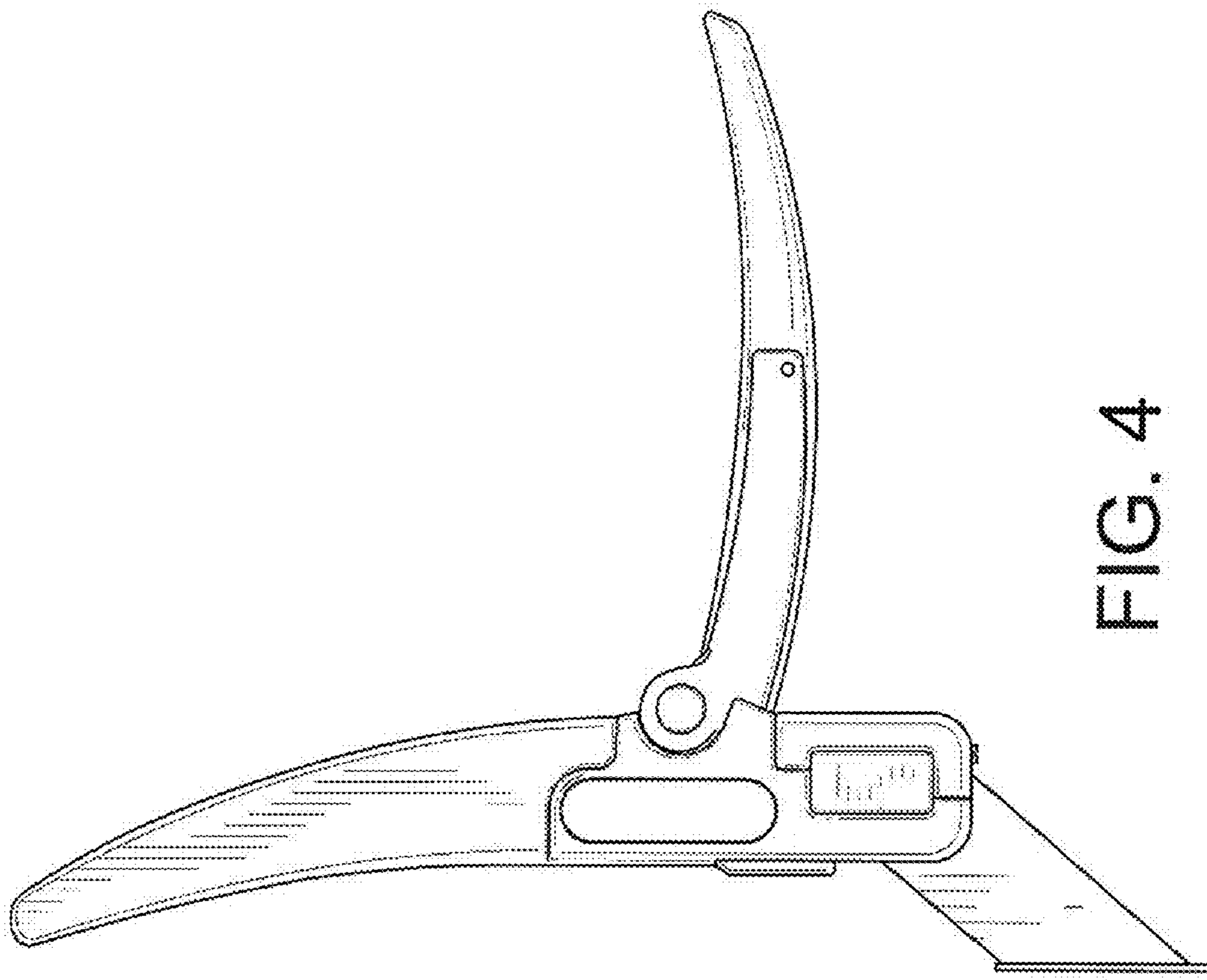


FIG. 4

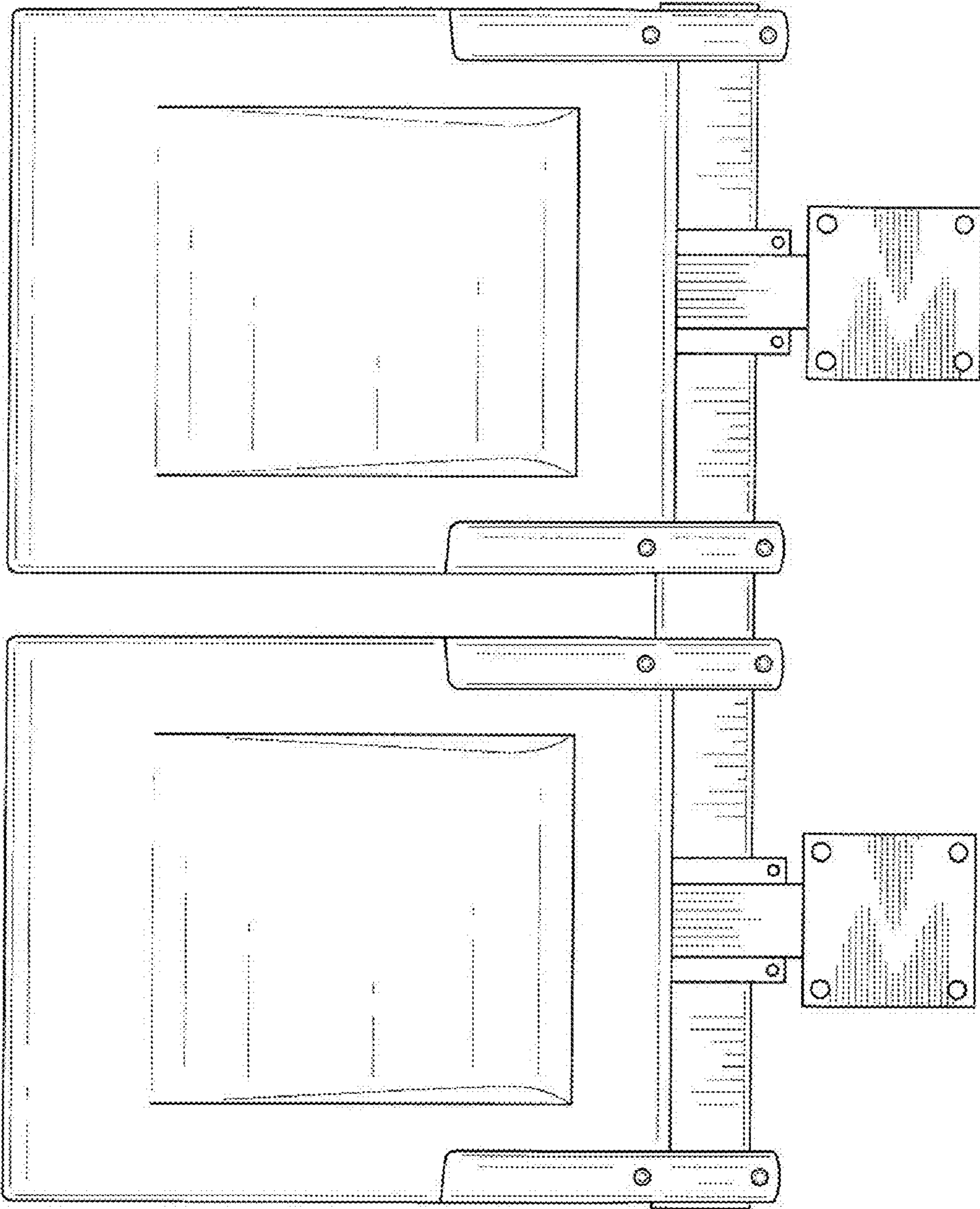


FIG. 5