



US00D650185S

(12) **United States Design Patent**  
**Hsu**

(10) **Patent No.:** **US D650,185 S**

(45) **Date of Patent:** **\*\* Dec. 13, 2011**

(54) **STEP STOOL**

(75) **Inventor:** **Chiung Yueh Hsu**, Hemei Township,  
Changhua County (TW)

(73) **Assignee:** **Hsiang Fu Chia Enterprise Co., Ltd.**,  
Changhua County (TW)

(\*\*) **Term:** **14 Years**

(21) **Appl. No.:** **29/388,604**

(22) **Filed:** **Mar. 31, 2011**

(51) **LOC (9) Cl.** ..... **06-01**

(52) **U.S. Cl.** ..... **D6/349**

(58) **Field of Classification Search** ..... D6/335,  
D6/336, 337, 338, 339, 349, 350, 351, 352,  
D6/353; 291/175, 451.2, 452.11, 452.12,  
291/461, 462; 5/12.1, 12.2

See application file for complete search history.

(56) **References Cited**

**U.S. PATENT DOCUMENTS**

D184,390 S \* 2/1959 Cramer ..... D6/350  
D216,508 S \* 1/1970 Dottinger ..... D6/350

3,559,761 A \* 2/1971 Wehner ..... 182/15  
3,599,750 A \* 8/1971 Serwer ..... 182/15  
D244,494 S \* 5/1977 Dottinger ..... D6/350  
D262,419 S \* 12/1981 Cramer ..... D6/350  
D524,069 S \* 7/2006 Lim ..... D6/350  
D570,125 S \* 6/2008 Gonzalez ..... D6/350  
D640,878 S \* 7/2011 Huang et al. .... D6/350

\* cited by examiner

*Primary Examiner* — Sandra Snapp

(74) *Attorney, Agent, or Firm* — Leong C. Lei

(57) **CLAIM**

The ornamental design for a step stool, as shown and described.

**DESCRIPTION**

FIG. 1 is a front perspective view of a step stool showing my new design;

FIG. 2 is a front elevational view thereof;

FIG. 3 is a rear elevational view thereof;

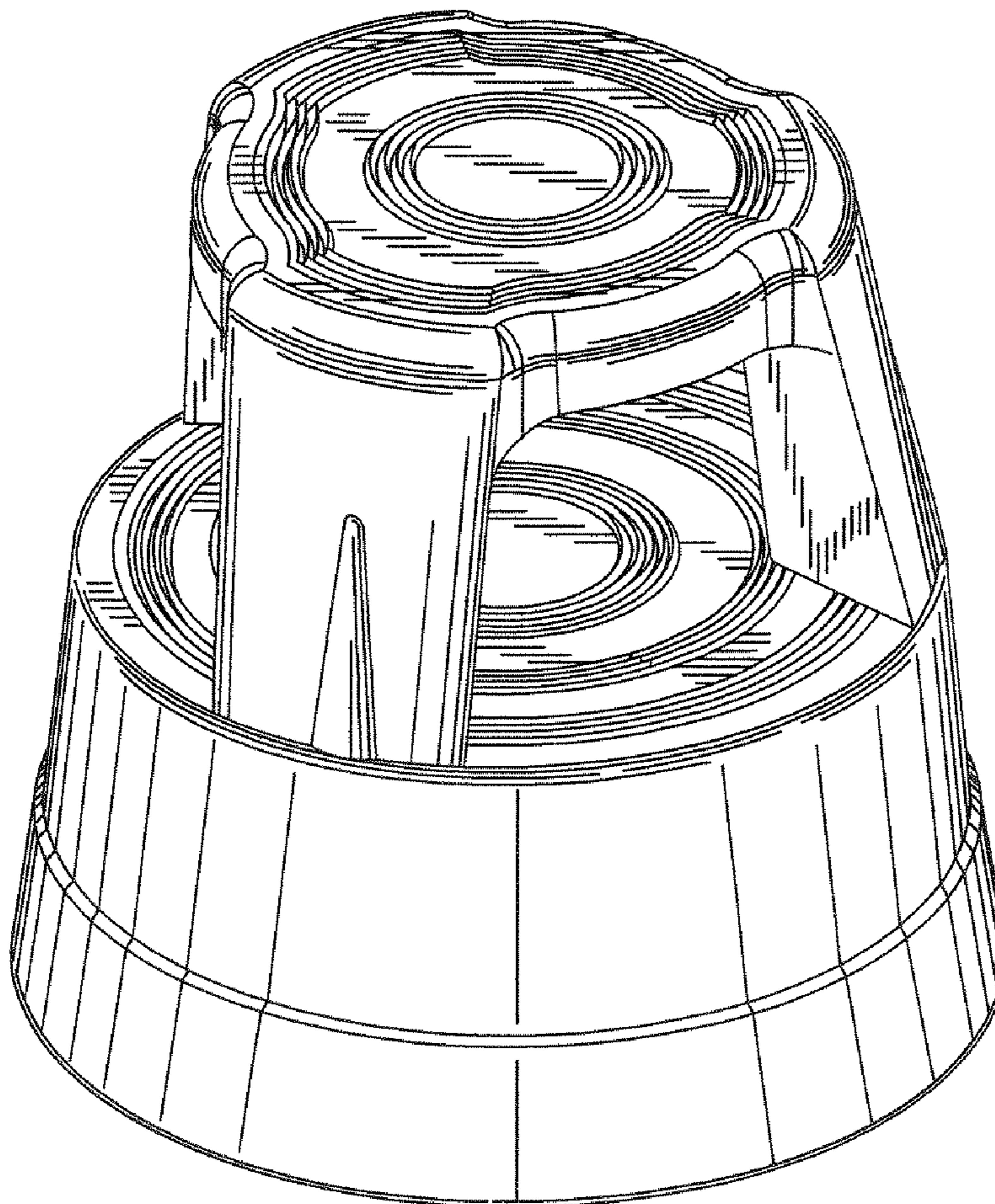
FIG. 4 is a left elevational view thereof;

FIG. 5 is a right elevational view thereof;

FIG. 6 is a top plan view thereof; and,

FIG. 7 is a bottom plan view thereof.

**1 Claim, 4 Drawing Sheets**



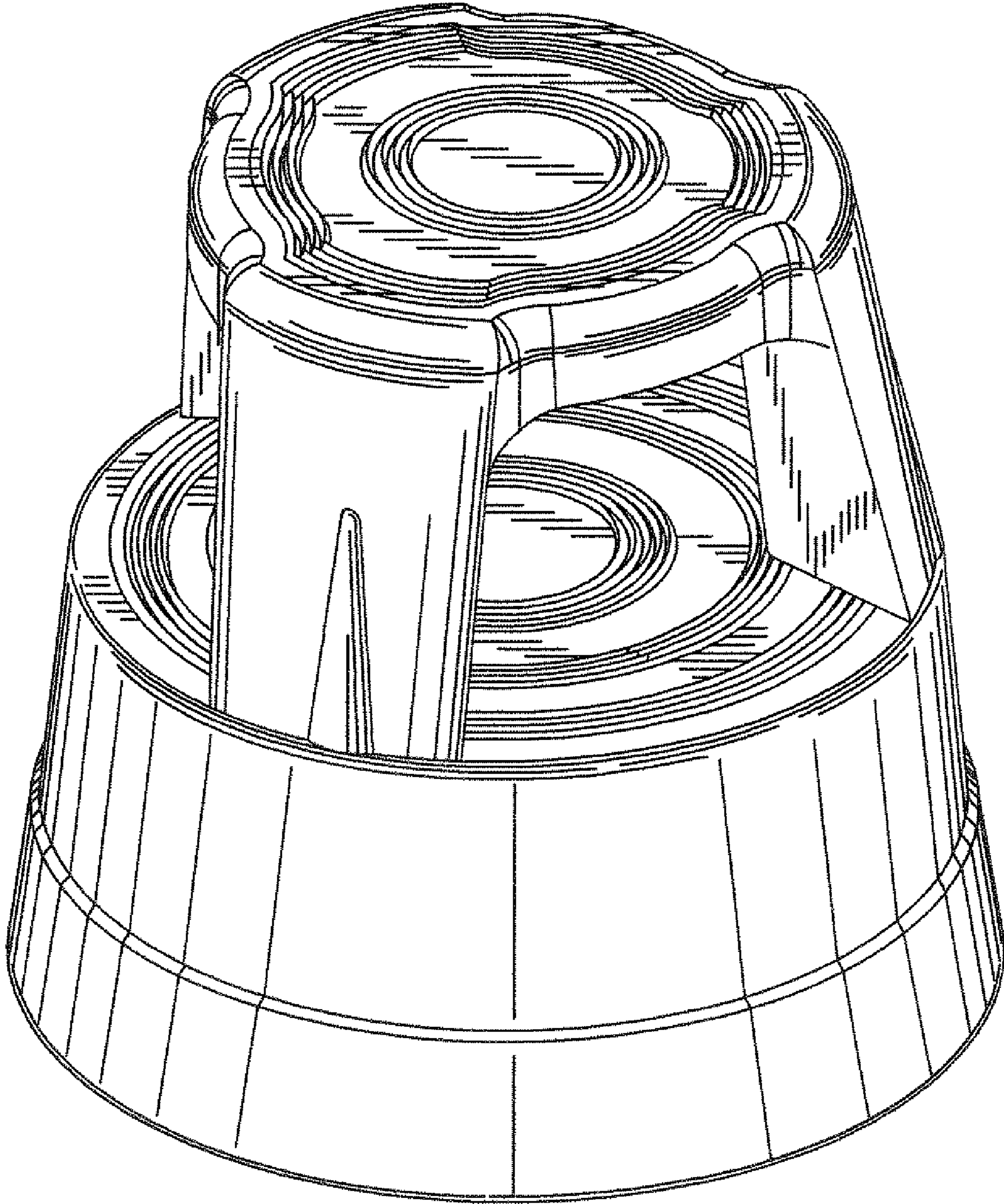


FIG. 1

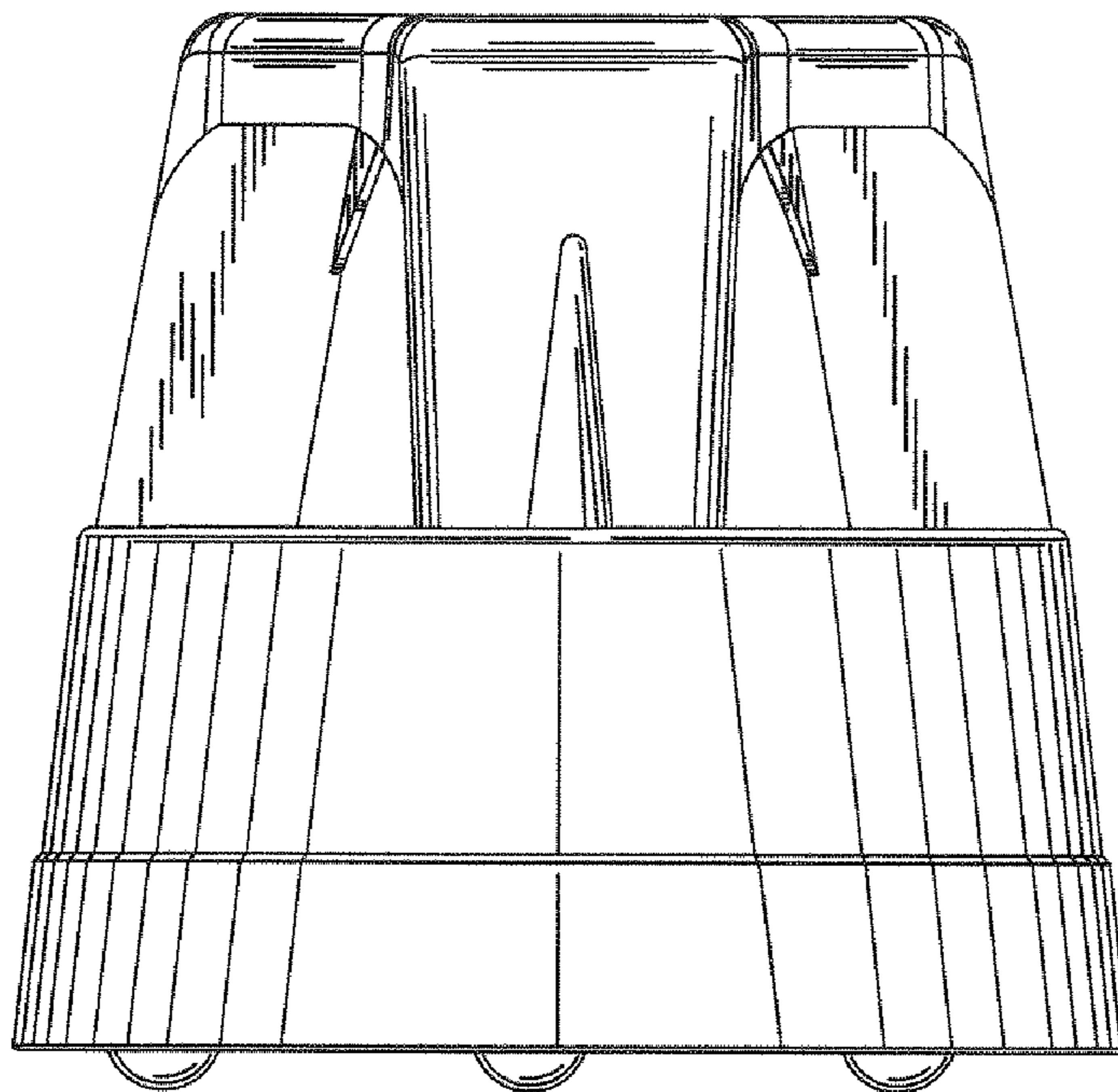


FIG. 2

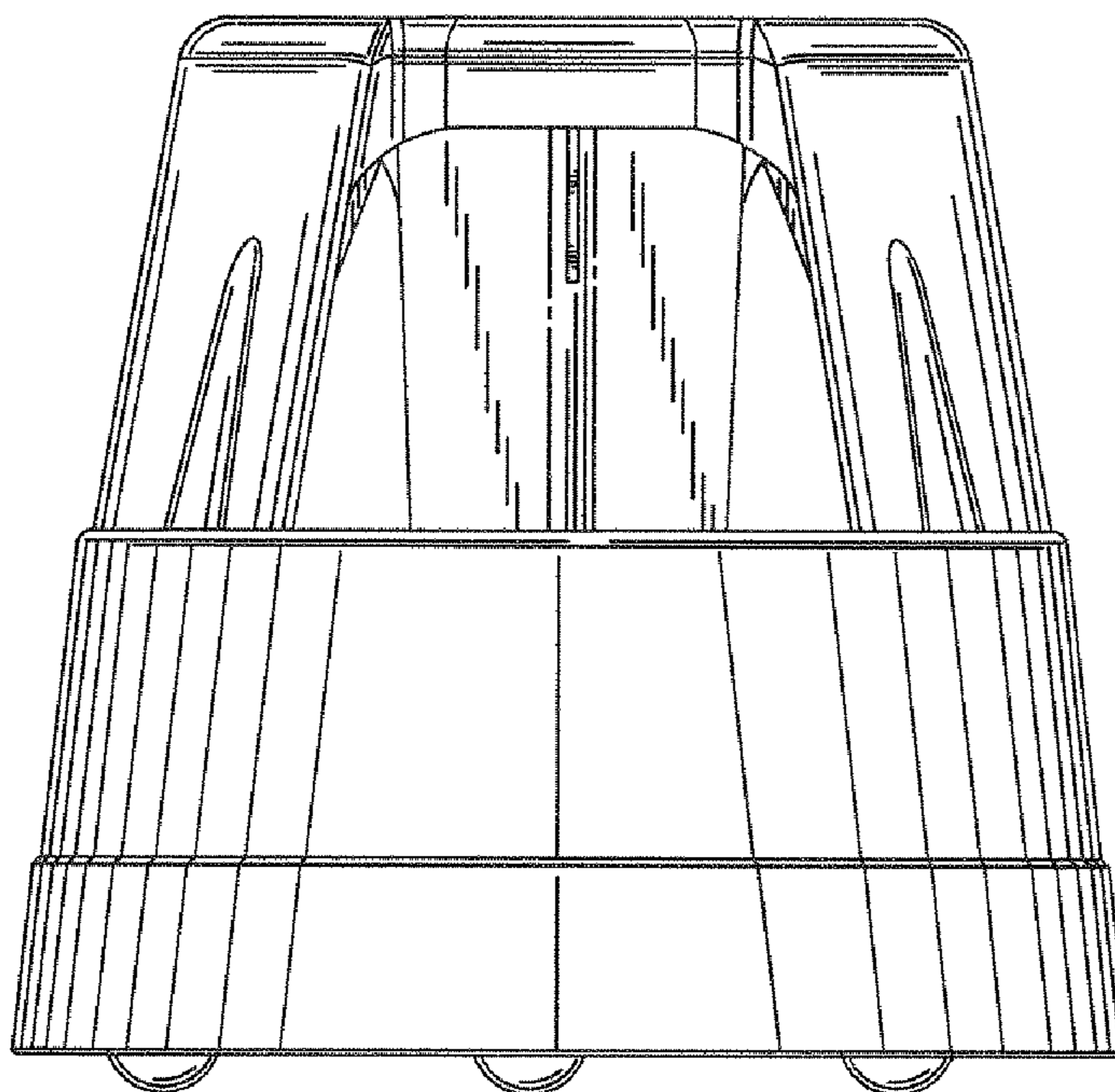


FIG. 3

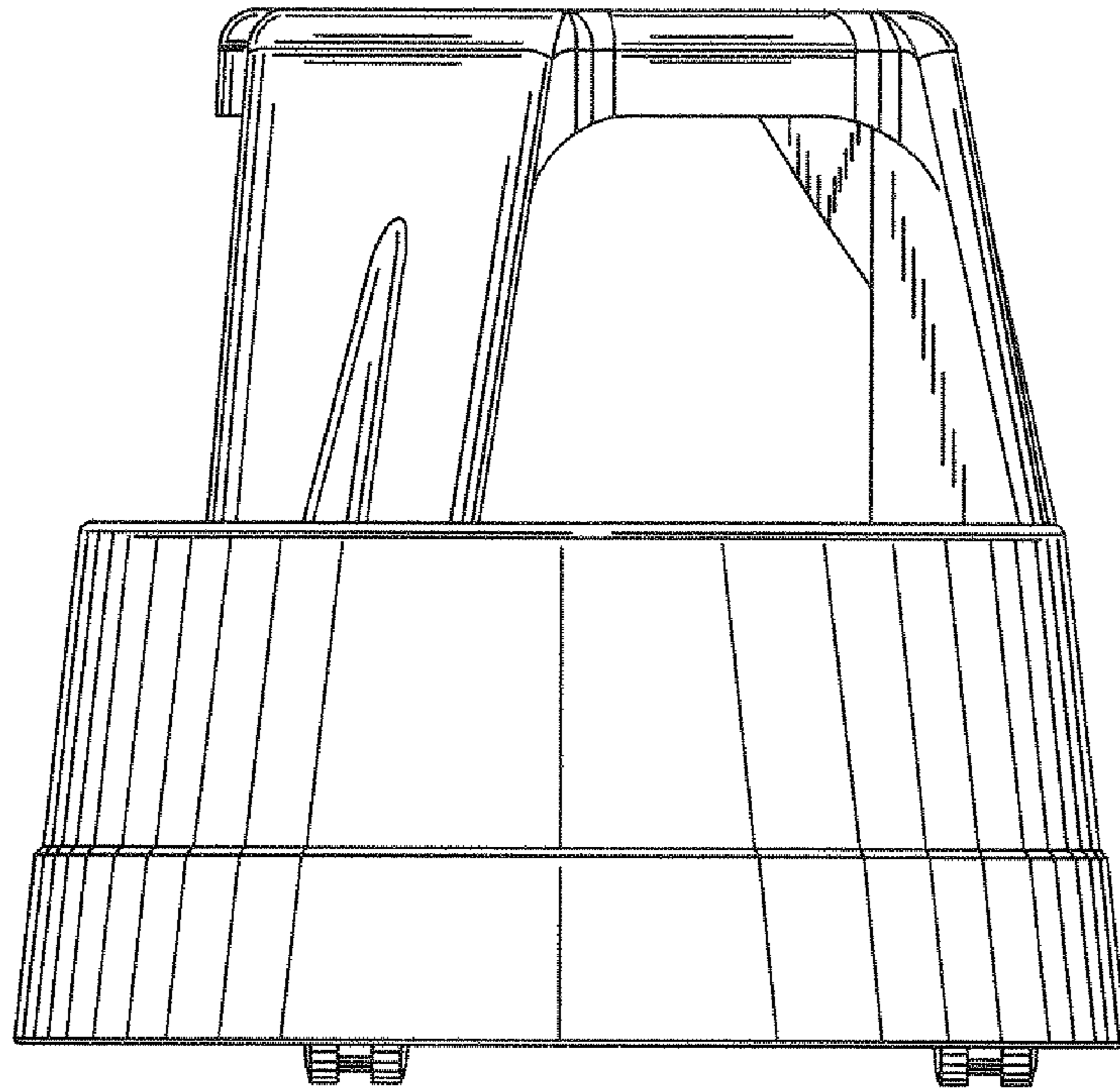


FIG. 4

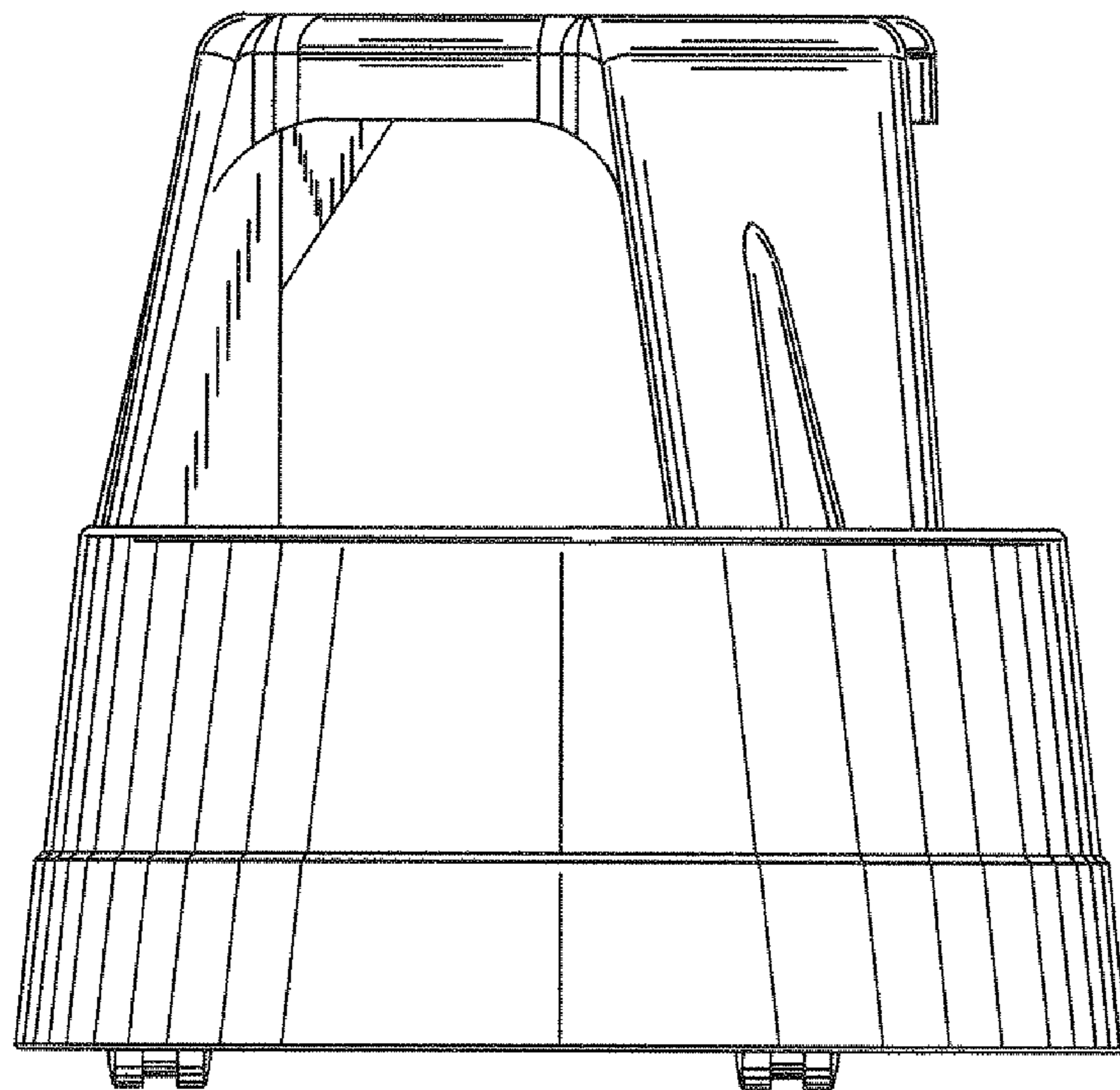


FIG. 5

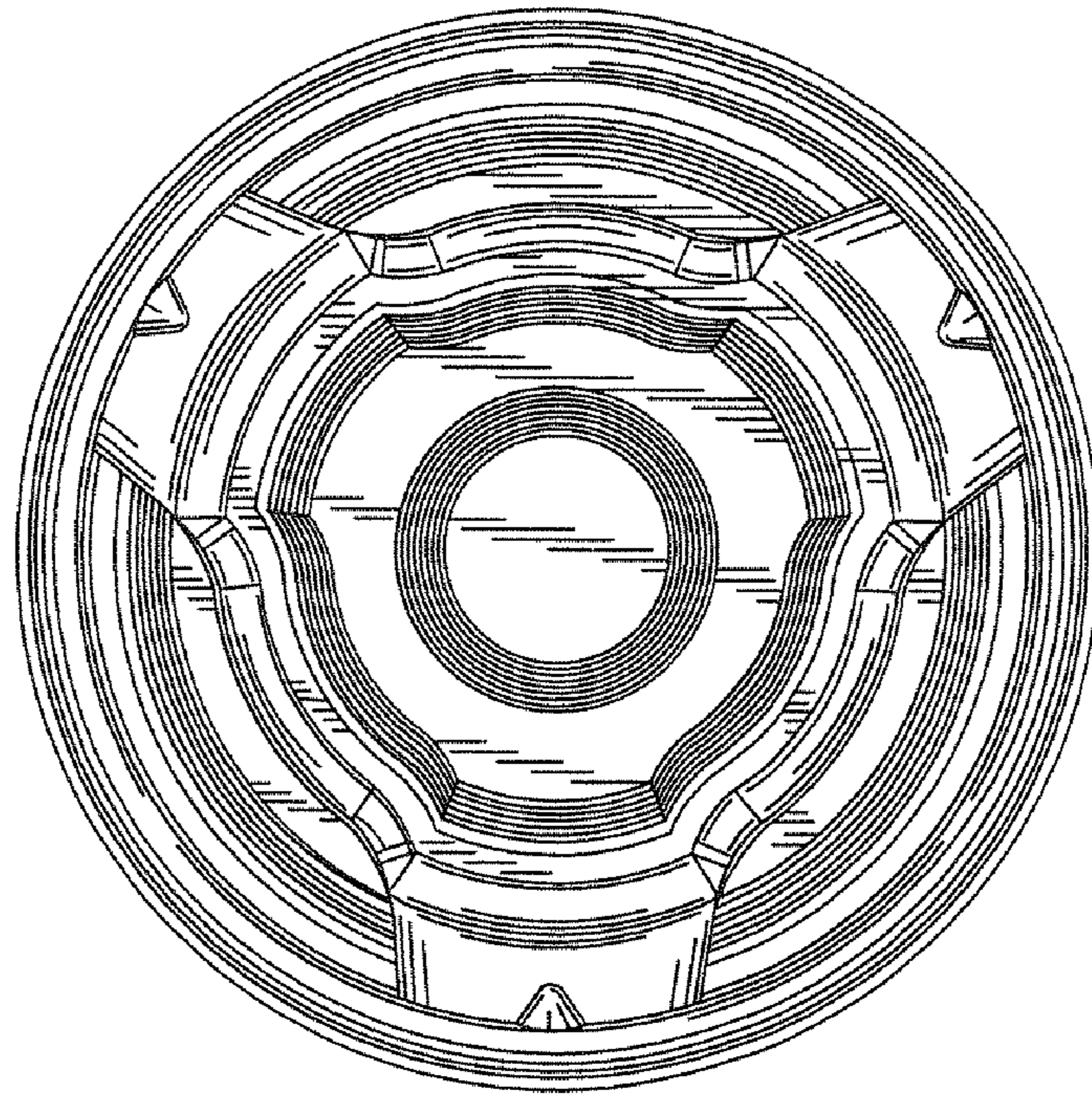


FIG. 6

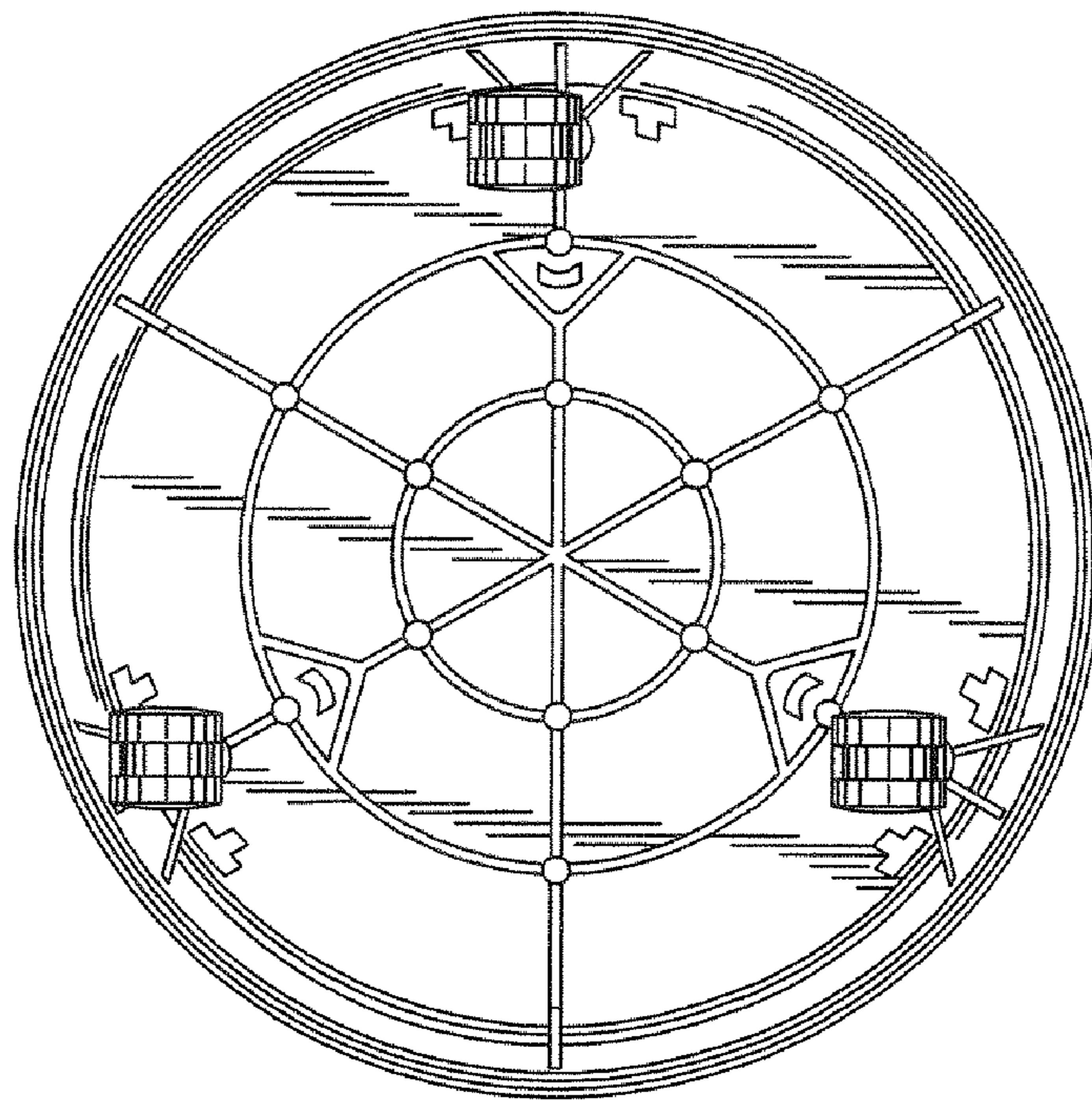


FIG. 7